



US00D579596S

(12) **United States Design Patent**
Shiu

(10) **Patent No.:** **US D579,596 S**

(45) **Date of Patent:** **** Oct. 28, 2008**

(54) **FLASHLIGHT**

D447,586 S * 9/2001 Shing D26/39
D557,839 S * 12/2007 Shiu D26/37
D567,416 S * 4/2008 Shiu D26/37

(75) Inventor: **Stephanie Wai Man Shiu**, Kowloon
(HK)

(73) Assignee: **Gold Coral International Limited**, San
Po Kong, Kowloon (HK)

(**) Term: **14 Years**

(21) Appl. No.: **29/306,682**

(22) Filed: **Apr. 14, 2008**

(30) **Foreign Application Priority Data**

Oct. 17, 2007 (HK) 0702678

(51) **LOC (8) Cl.** **26-02**

(52) **U.S. Cl.** **D26/49**

(58) **Field of Classification Search** D26/37-50;
362/157, 158, 171-174, 183-208
See application file for complete search history.

(56) **References Cited**

U.S. PATENT DOCUMENTS

D435,922 S * 1/2001 Shing D26/49

* cited by examiner

Primary Examiner—Marcus A. Jackson

(74) *Attorney, Agent, or Firm*—Joseph G. Swan, PC

(57) **CLAIM**

The ornamental design for a flashlight, as shown and described.

DESCRIPTION

FIG. 1 is a right side elevational view of a flashlight according to the present invention.

FIG. 2 is a top plan view of the flashlight.

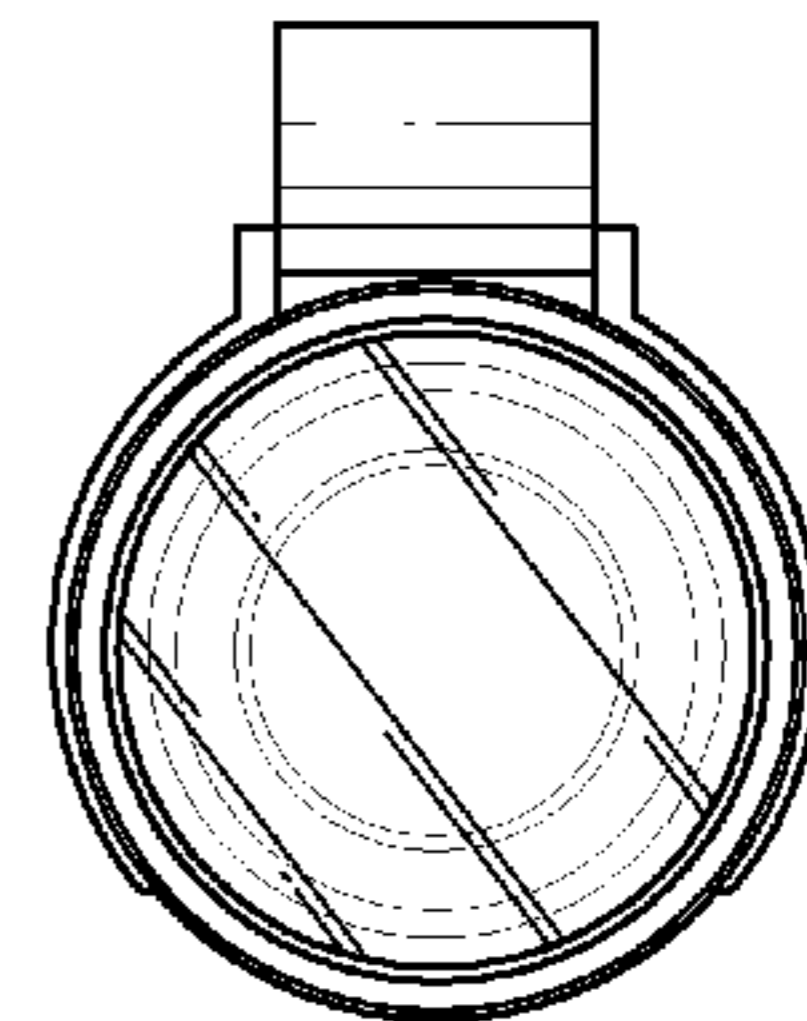
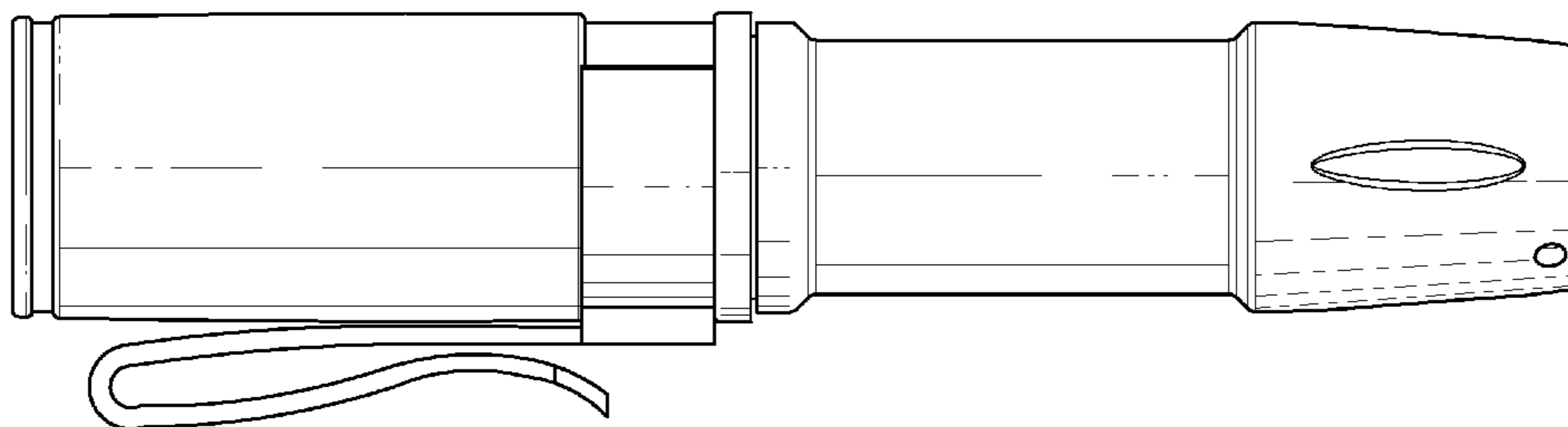
FIG. 3 is a left side elevational view of the flashlight.

FIG. 4 is a bottom plan view of the flashlight.

FIG. 5 is a front elevational view of the flashlight; and,

FIG. 6 is a rear elevational view of the flashlight.

1 Claim, 3 Drawing Sheets



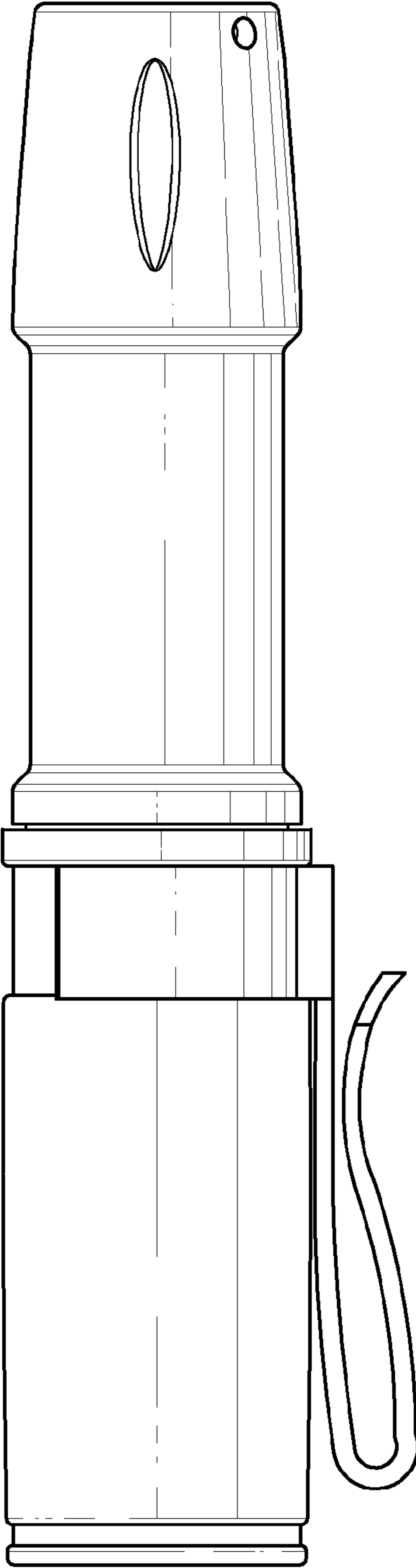


FIG. 1

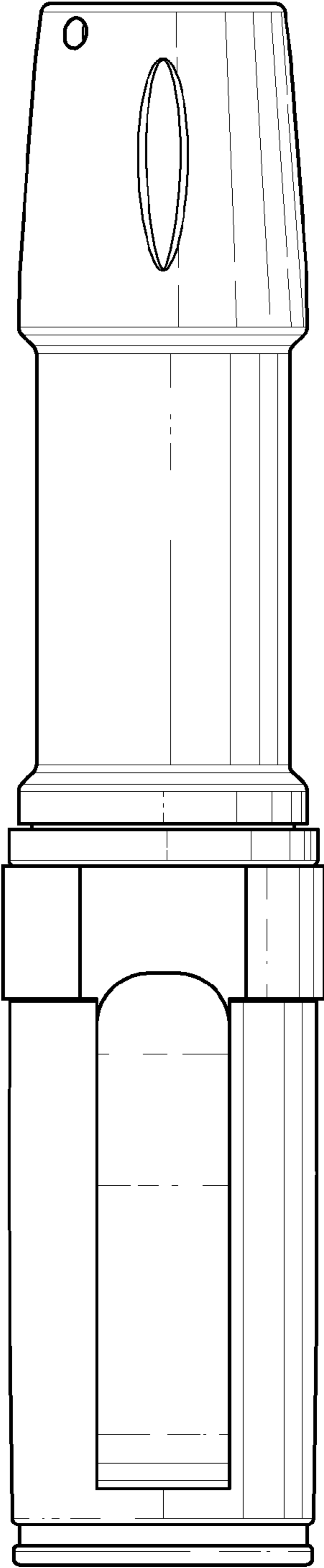


FIG. 2

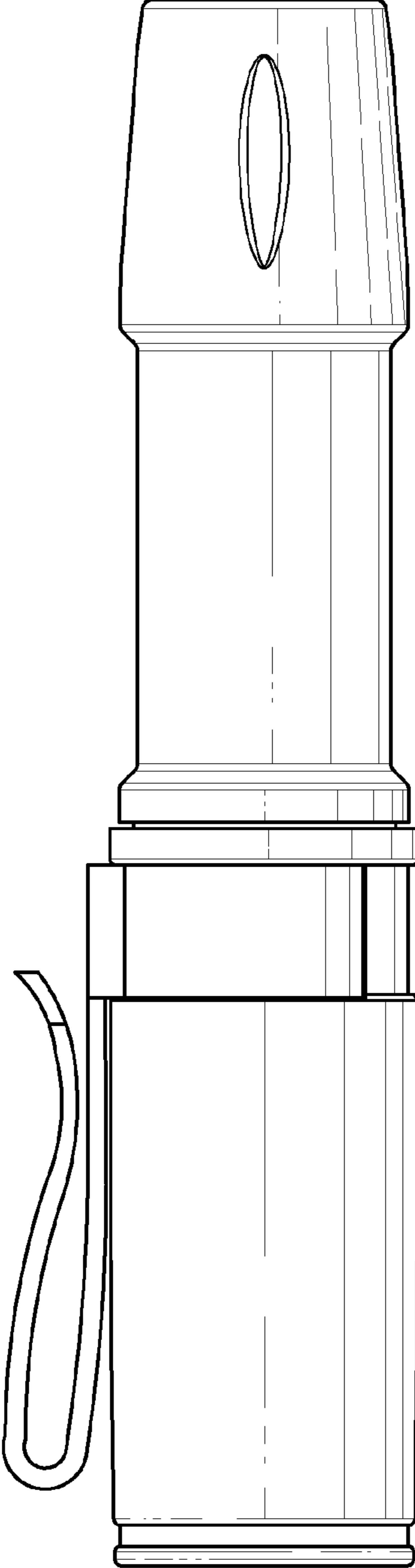


FIG. 3

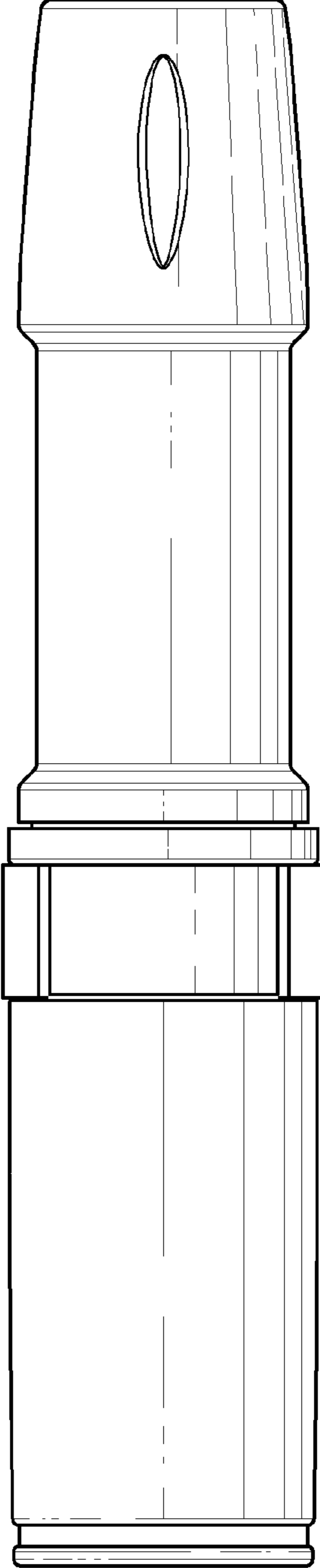


FIG. 4

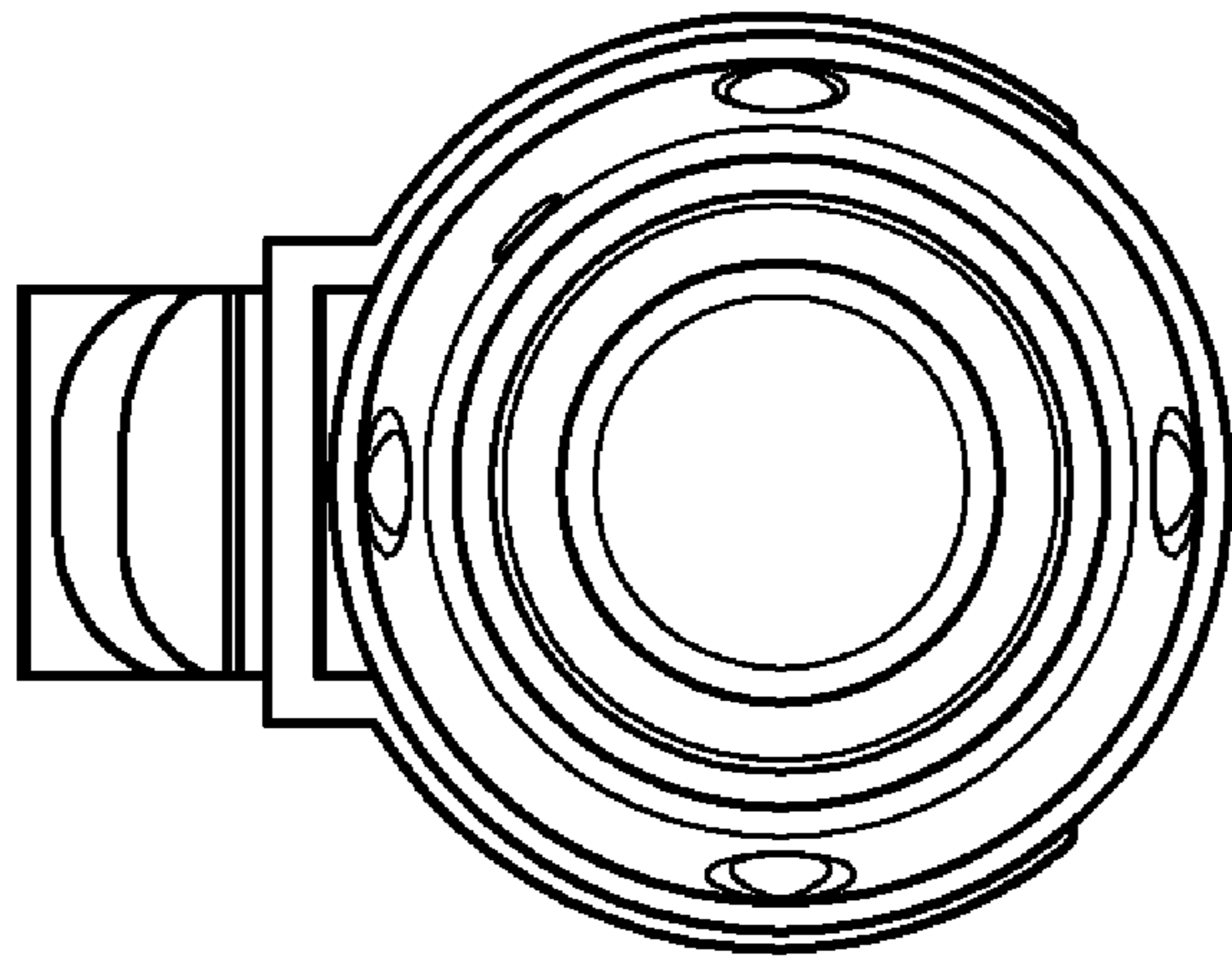


FIG. 6

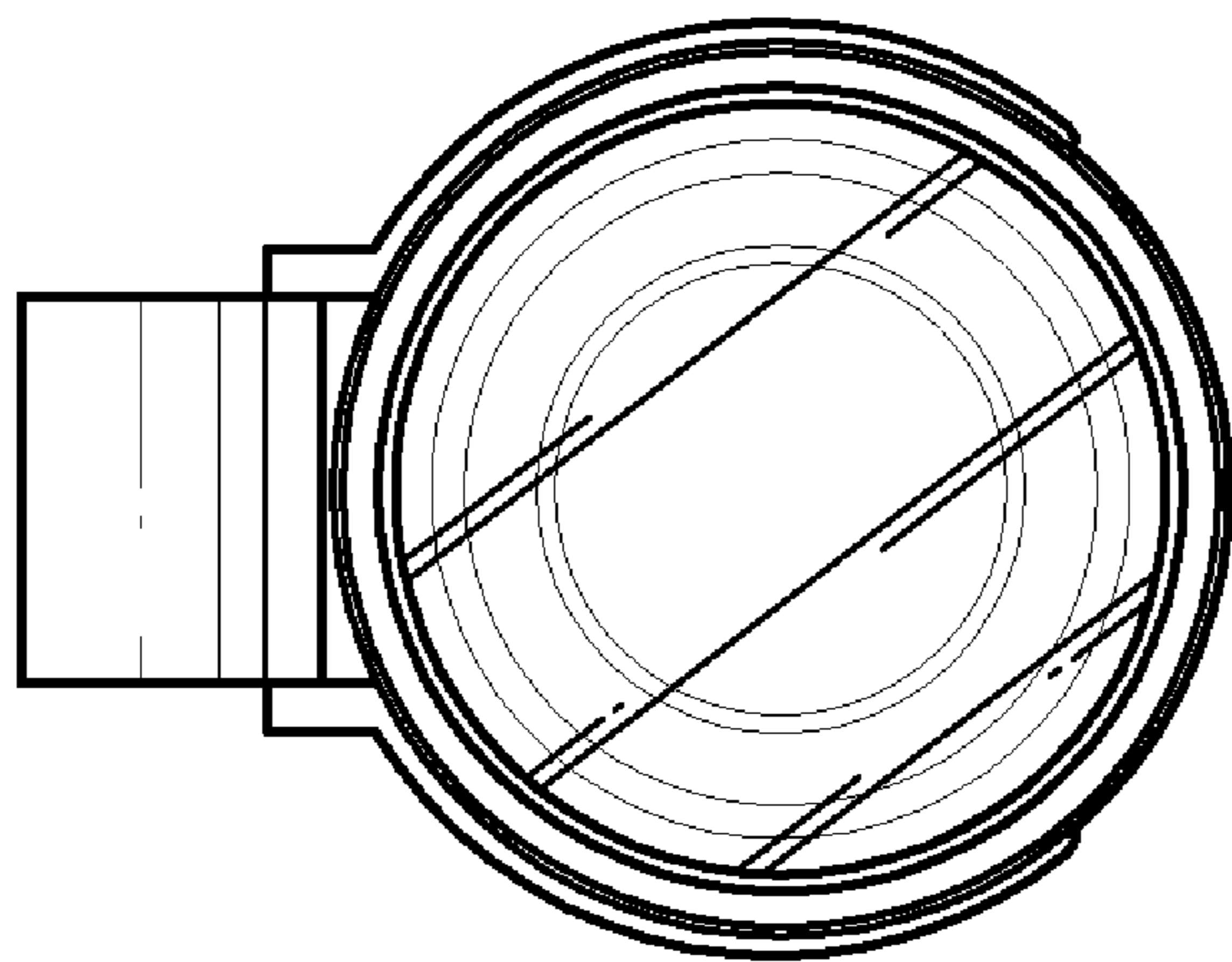


FIG. 5