



US00D579594S

(12) **United States Design Patent**
Hesse et al.

(10) **Patent No.:** **US D579,594 S**
(45) **Date of Patent:** **** Oct. 28, 2008**

(54) **PORTION OF A FLASHLIGHT**

(75) Inventors: **Bryan L. Hesse**, Guilford, CT (US);
James Sener, Glastonbury, CT (US);
Kevin S. Garrity, Madison, CT (US)

(73) Assignee: **The Gillette Company**, Boston, MA
(US)

(**) Term: **14 Years**

(21) Appl. No.: **29/296,228**

(22) Filed: **Oct. 16, 2007**

(51) **LOC (8) Cl.** **26-02**

(52) **U.S. Cl.** **D26/37**

(58) **Field of Classification Search** D26/37-50;
362/157, 158, 171-174, 183-208
See application file for complete search history.

(56) **References Cited**

U.S. PATENT DOCUMENTS

D491,679 S *	6/2004	Lau	D26/37
D500,566 S *	1/2005	Hu	D26/37
D502,275 S *	2/2005	Saunders	D26/37
D544,621 S *	6/2007	Kim	D26/37
D549,369 S *	8/2007	DeBrunner	D26/37
D551,366 S *	9/2007	Galli	D26/37

OTHER PUBLICATIONS

Hesse et al., U.S. Appl. No. 29/296,222, filed Oct. 16, 2007, entitled "Flashlight".

Hesse et al., U.S. Appl. No. 29/296,218, filed Oct. 16, 2007, entitled "Flashlight".

Hesse et al., U.S. Appl. No. 29/292,537, filed Oct. 16, 2007, entitled "Flashlight".

* cited by examiner

Primary Examiner—Marcus A. Jackson

(74) *Attorney, Agent, or Firm*—Fish & Richardson P.C.

(57) **CLAIM**

The ornamental design for a portion of a flashlight, as shown and described.

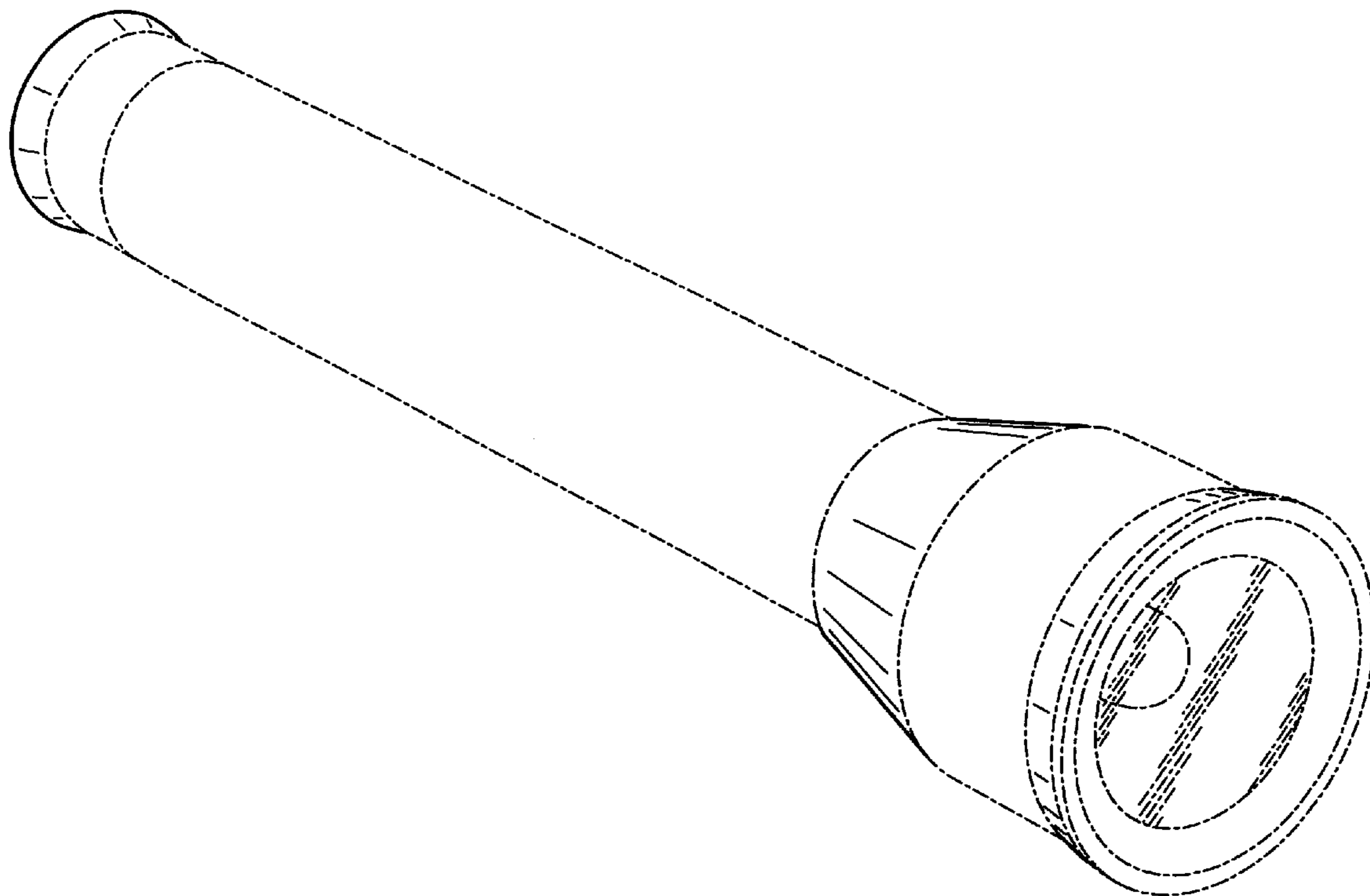
DESCRIPTION

FIG. 1 is a perspective view of a portion of a flashlight as seen from the front, top, right side; and,

FIG. 2 is a perspective view of a portion of a flashlight of FIG. 1 as seen from the rear, top, left side.

The broken lines which define the bounds of the claimed design form no part thereof. The broken lines showing the remainder of a portion of a flashlight are for illustrative purposes only and form no part of the claimed design.

1 Claim, 2 Drawing Sheets



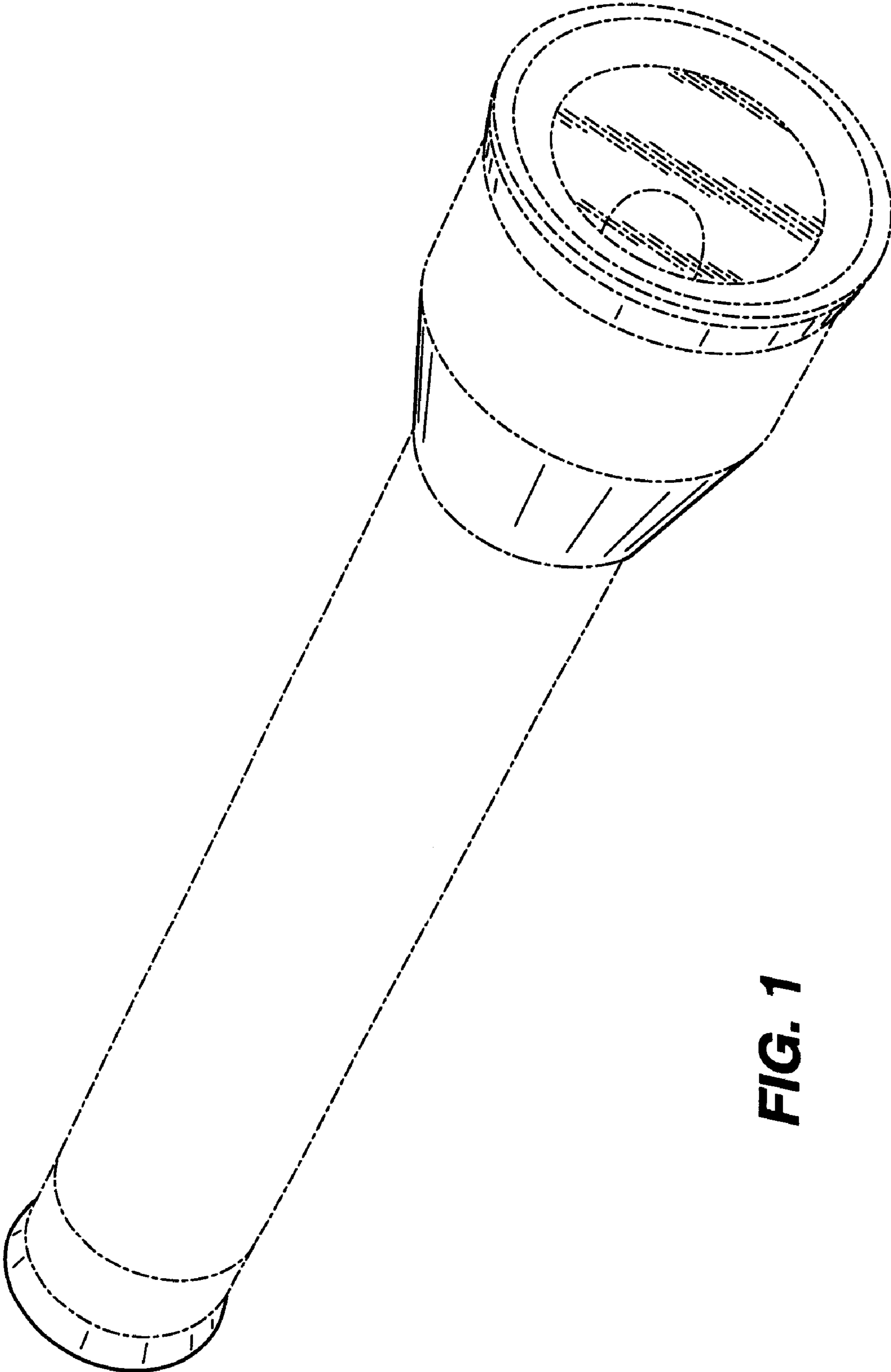


FIG. 1

FIG. 2

