



US00D579592S

(12) **United States Design Patent**
Matsunami

(10) **Patent No.:** **US D579,592 S**
(45) **Date of Patent:** **** Oct. 28, 2008**

(54) **REAR COMBINATION LAMP FOR AN AUTOMOBILE**

D561,357 S * 2/2008 Leclercq D26/28
D565,211 S * 3/2008 Haller et al. D26/28

(75) Inventor: **Hiroshi Matsunami**, Wako (JP)

FOREIGN PATENT DOCUMENTS

(73) Assignee: **Honda Motor Co., Ltd.**, Tokyo (JP)

JP D1283386 S 10/2006

(**) Term: **14 Years**

* cited by examiner

(21) Appl. No.: **29/305,834**

Primary Examiner—Marcus A. Jackson

(22) Filed: **Mar. 28, 2008**

(74) *Attorney, Agent, or Firm*—Westerman, Hattori, Daniels & Adrian, LLP.

(30) **Foreign Application Priority Data**

Sep. 28, 2007 (JP) 2007-026340

(57) **CLAIM**

The ornamental design for, a rear combination lamp for an automobile, as shown and described.

(51) **LOC (8) Cl.** **26-06**

DESCRIPTION

(52) **U.S. Cl.** **D26/28**

(58) **Field of Classification Search** D26/28-36;
362/459-468, 475-478, 485-487
See application file for complete search history.

FIG. 1 is a perspective view of a rear combination lamp for an automobile, showing our new design;
FIG. 2 is a front elevation view thereof;
FIG. 3 is a top plan view thereof; and,
FIG. 4 is a left side elevation view thereof.

(56) **References Cited**

U.S. PATENT DOCUMENTS

D526,427 S * 8/2006 Morioka D26/28
D528,232 S * 9/2006 Nakahara D26/28
D560,292 S * 1/2008 Sato D26/28

The broken lines are for illustrative purposes only and form no part of the claimed design.

1 Claim, 2 Drawing Sheets

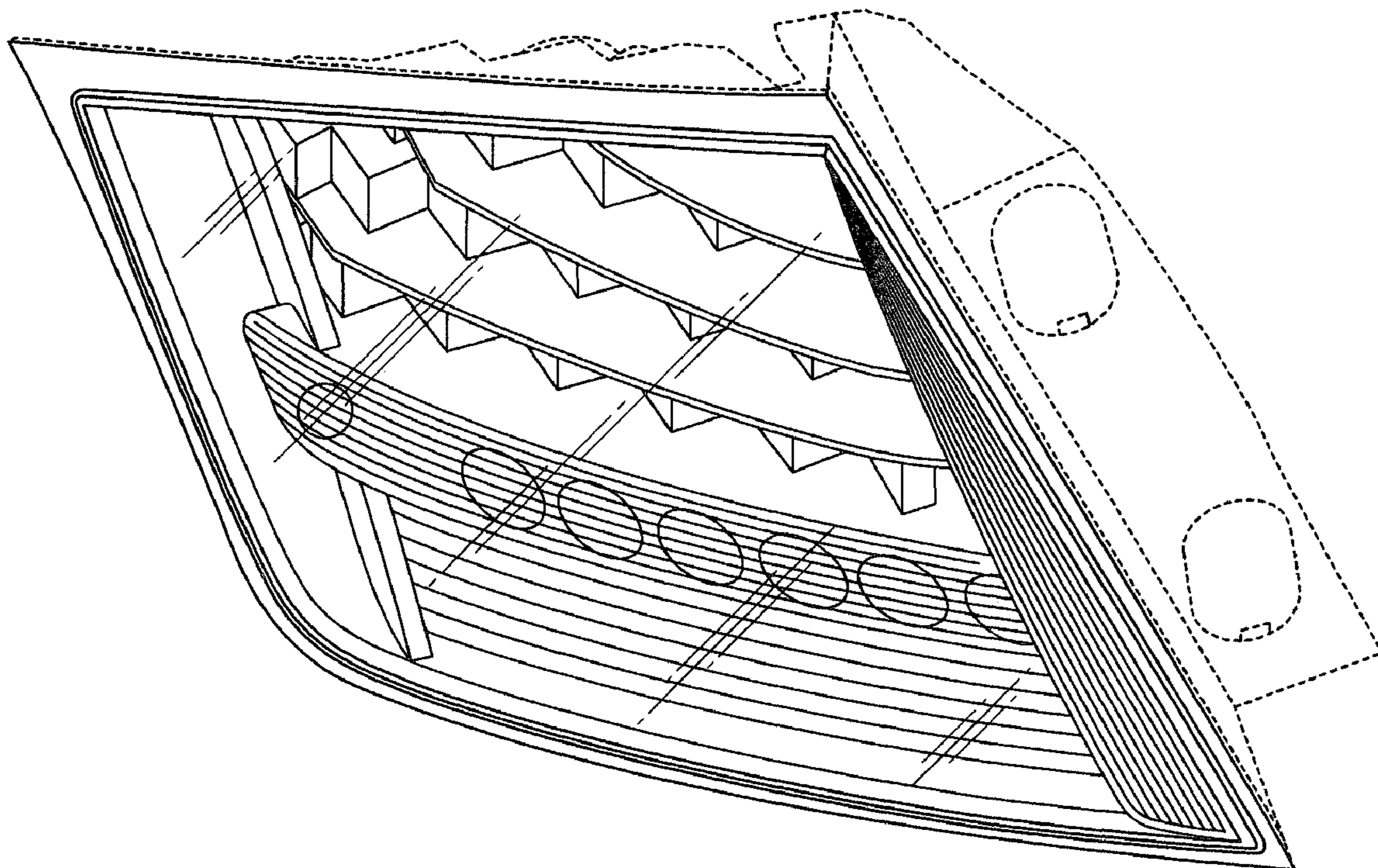


Fig.1

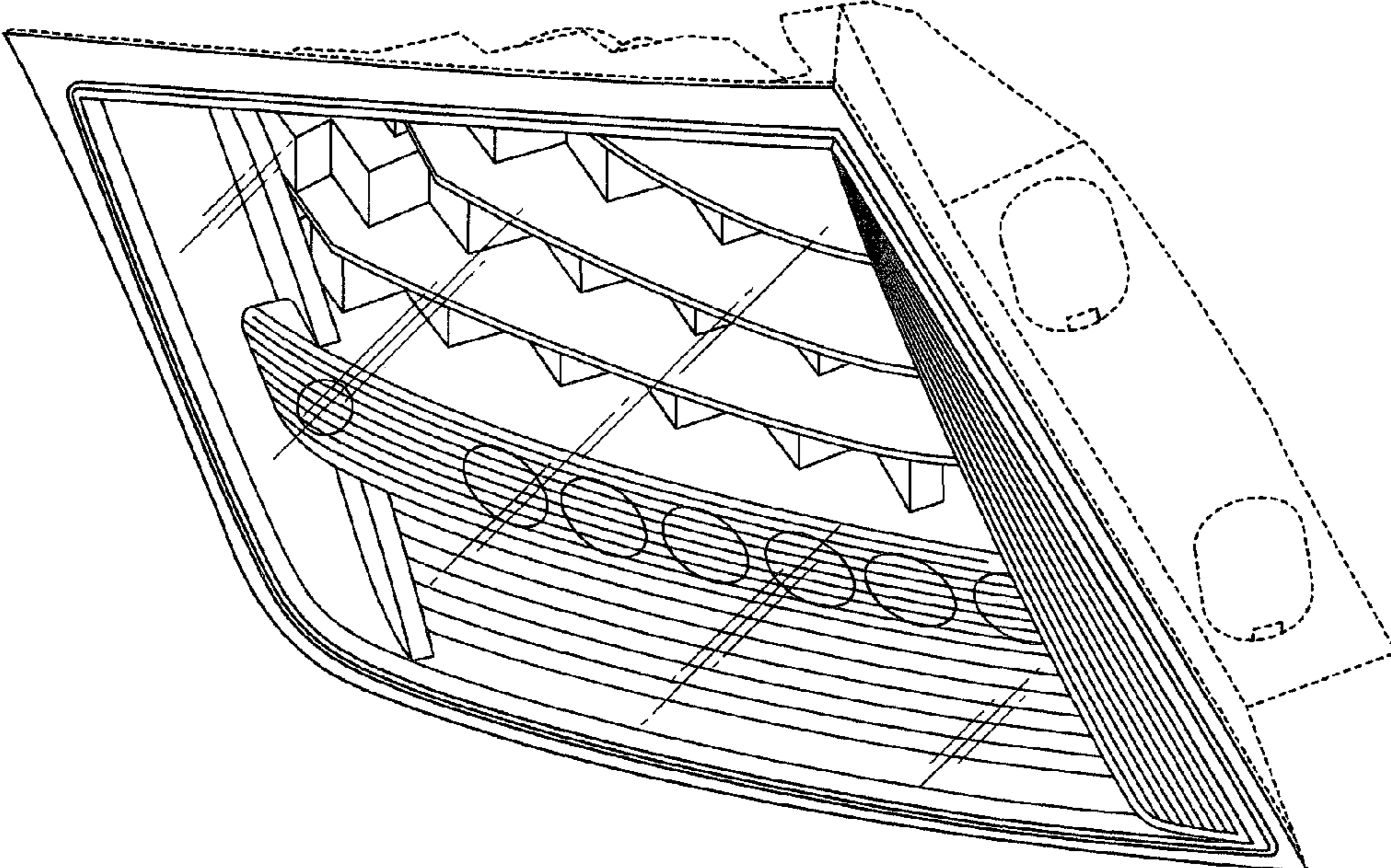


Fig.2

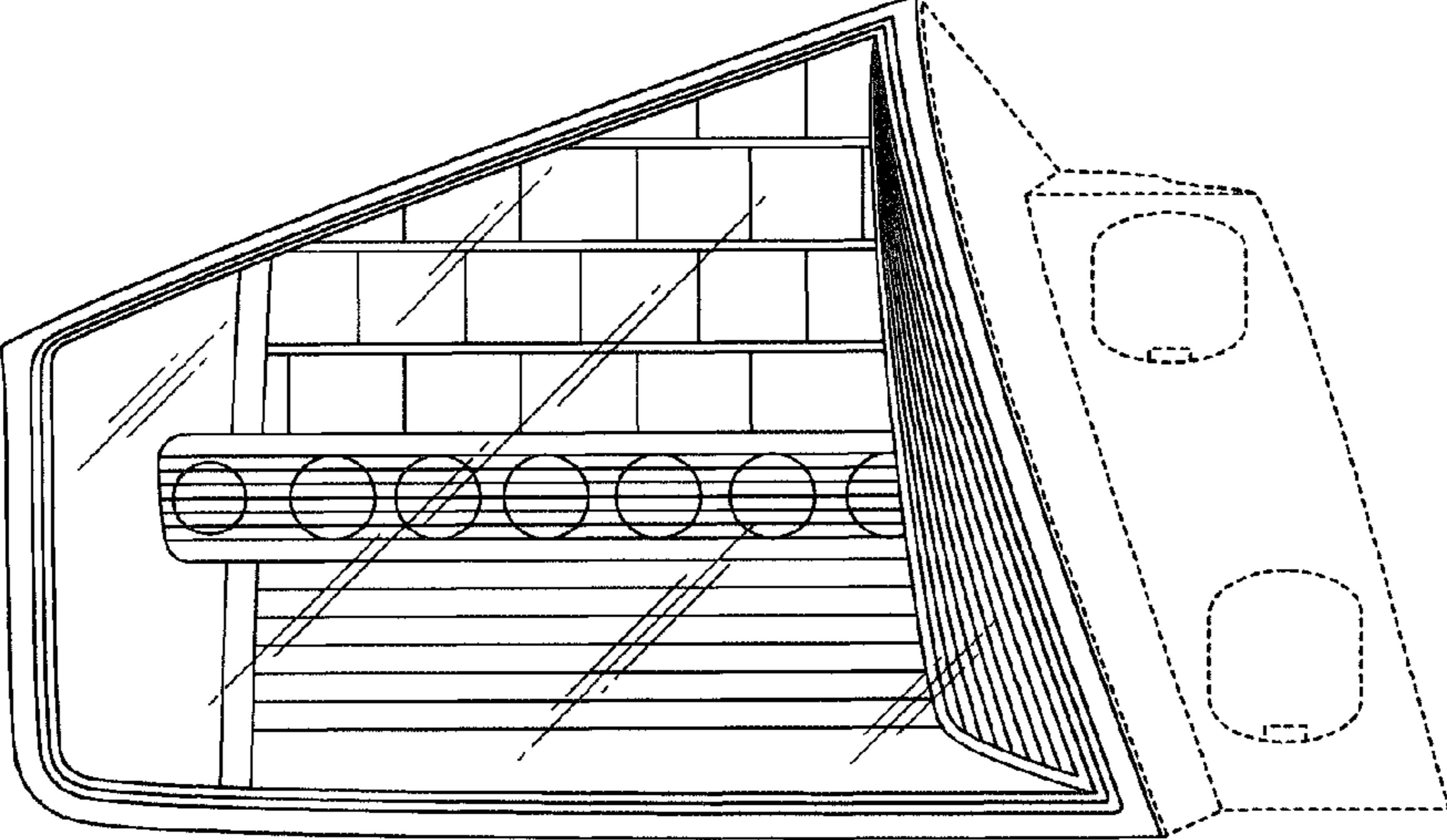


Fig.3

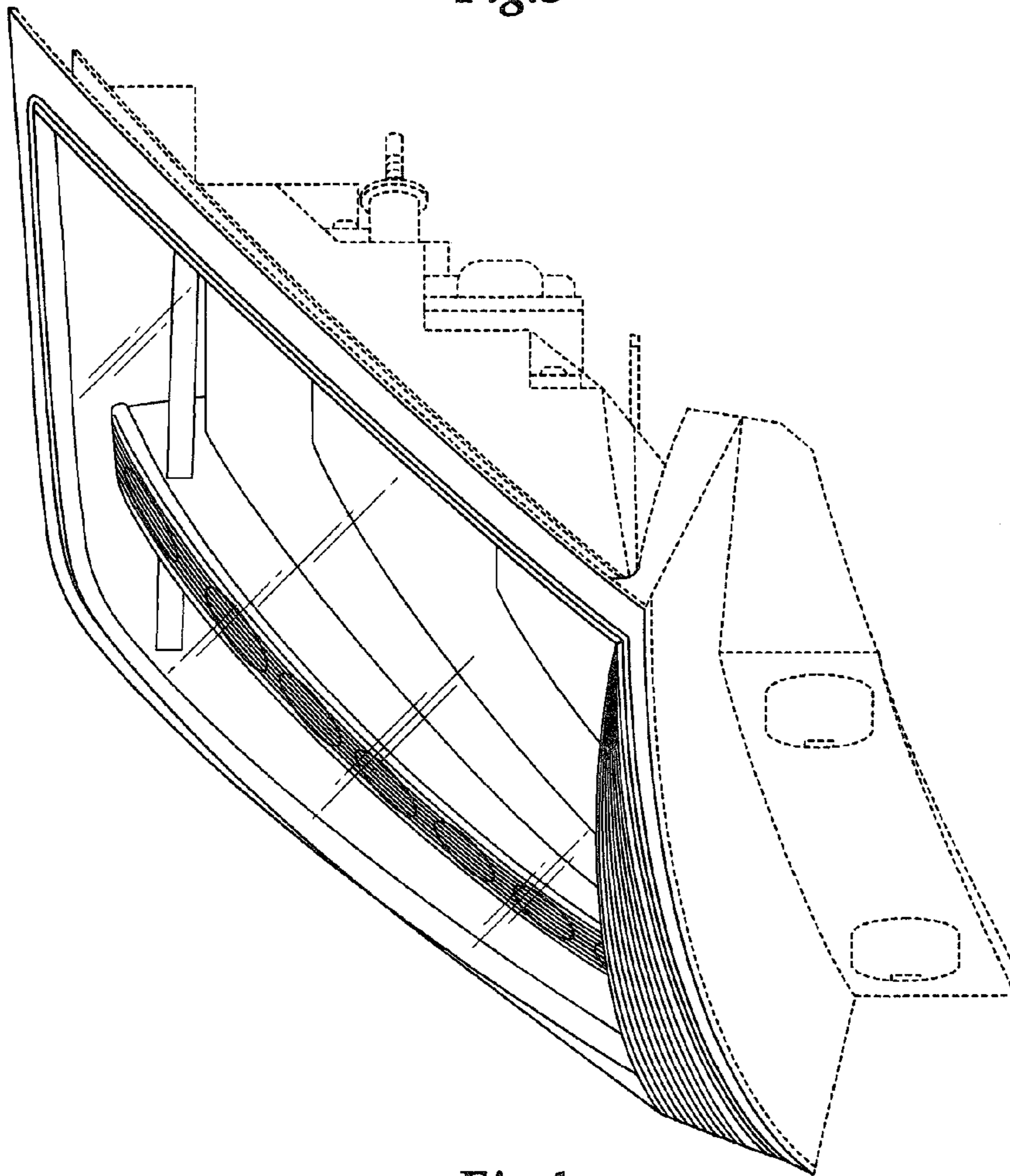


Fig.4

