



US00D579590S

(12) **United States Design Patent**
Lassen et al.

(10) **Patent No.:** **US D579,590 S**

(45) **Date of Patent:** **** *Oct. 28, 2008**

(54) **FENDER LIGHT**

(75) Inventors: **Hans Christian Lassen**, Roland, IA (US); **Jerrold Handsaker**, Roland, IA (US)

(73) Assignee: **Innovative Lighting, Inc.**, Roland, IA (US)

(*) Notice: This patent is subject to a terminal disclaimer.

(**) Term: **14 Years**

(21) Appl. No.: **29/238,663**

(22) Filed: **Sep. 19, 2005**

(51) **LOC (8) Cl.** **26-06**

(52) **U.S. Cl.** **D26/28**

(58) **Field of Classification Search** D26/28-36;
362/359-368, 375-378, 385-387

See application file for complete search history.

(56) **References Cited**

U.S. PATENT DOCUMENTS

- D519,656 S * 4/2006 Howser D26/28
- D524,463 S * 7/2006 Branstetter et al. D26/28
- D530,437 S * 10/2006 Neufeglise et al. D26/28

- D532,125 S * 11/2006 Branstetter et al. D26/28
- D534,285 S * 12/2006 Williams D26/28
- D561,360 S * 2/2008 Wang D26/28
- D564,108 S * 3/2008 Lassen et al. D26/28

* cited by examiner

Primary Examiner—Marcus A. Jackson

(74) *Attorney, Agent, or Firm*—Daniel A. Rosenberg; Briggs and Morgan, P.A.

(57) **CLAIM**

The ornamental design for a fender light, as shown and described.

DESCRIPTION

FIG. 1 is a top perspective view of the fender light.

FIG. 2 is a top view of the fender light.

FIG. 3 is a bottom view of the fender light.

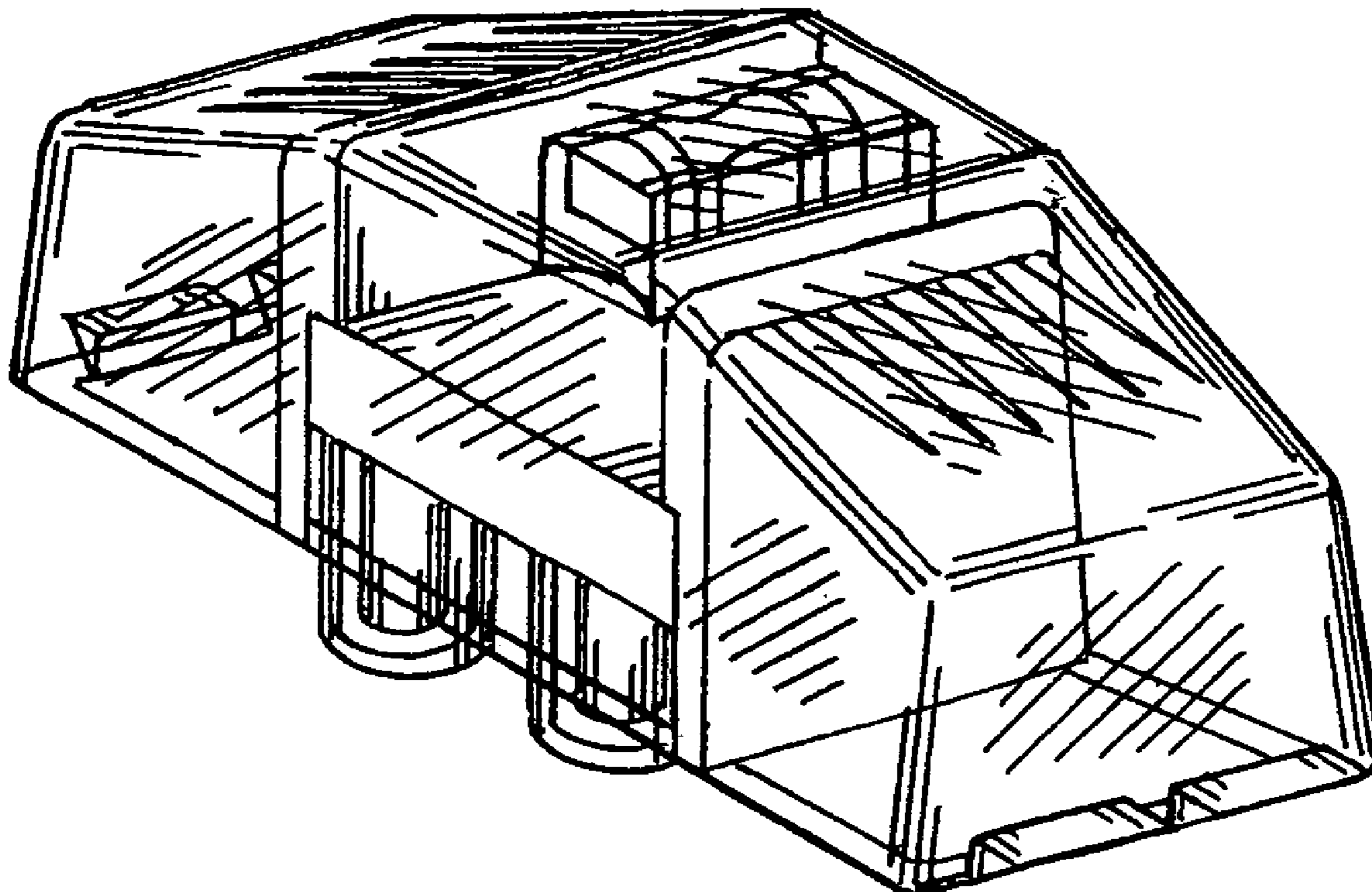
FIG. 4 is a first side view of the fender light.

FIG. 5 is a second side view of the fender light, opposite said first side view.

FIG. 6 is a first end view of the fender light; and,

FIG. 7 is a second end view of the fender light, opposite said first end view.

1 Claim, 2 Drawing Sheets



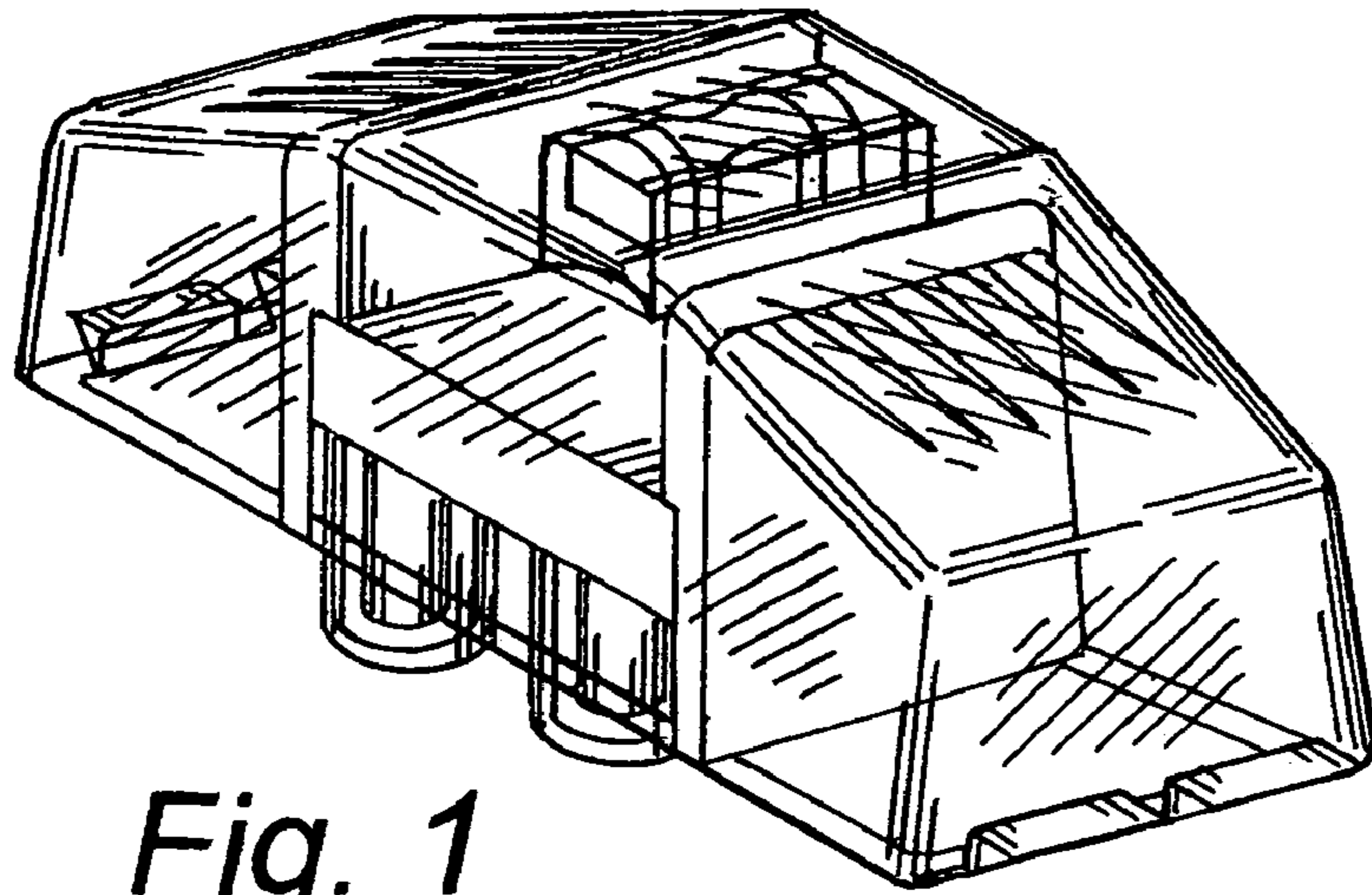


Fig. 1

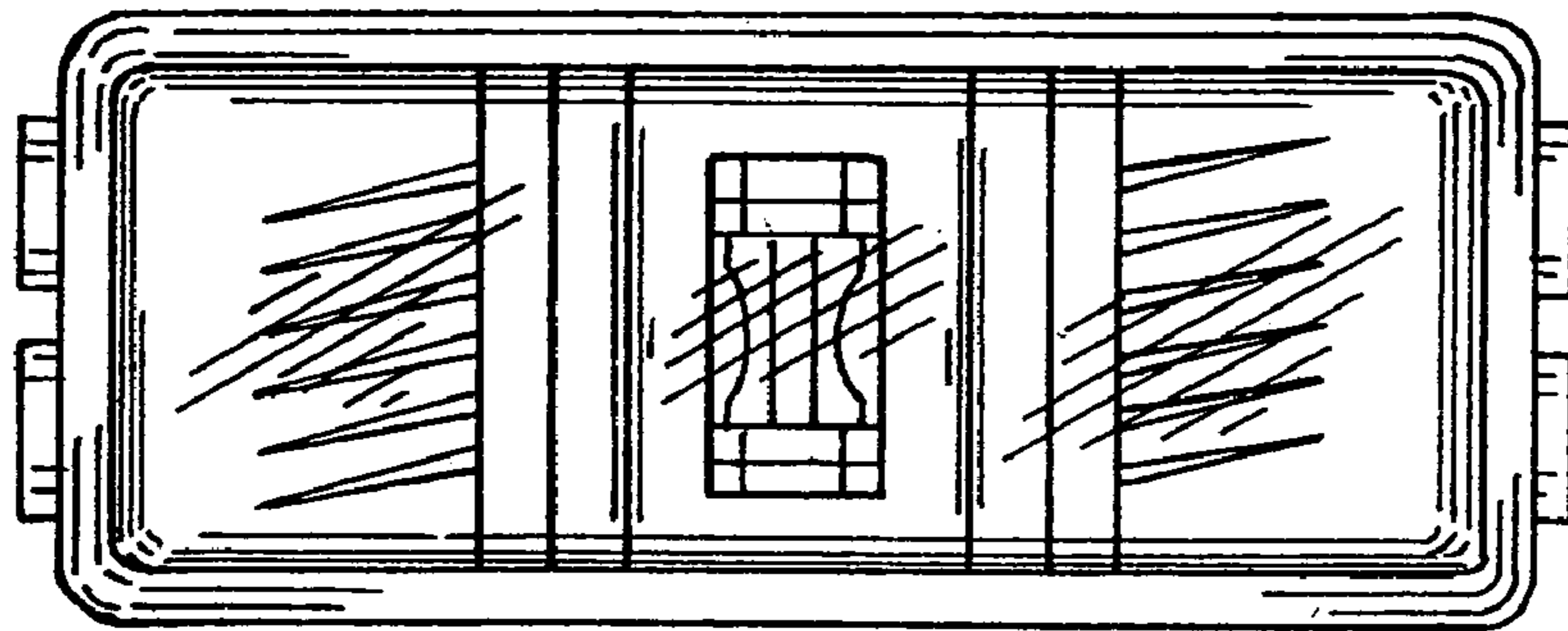


Fig. 2

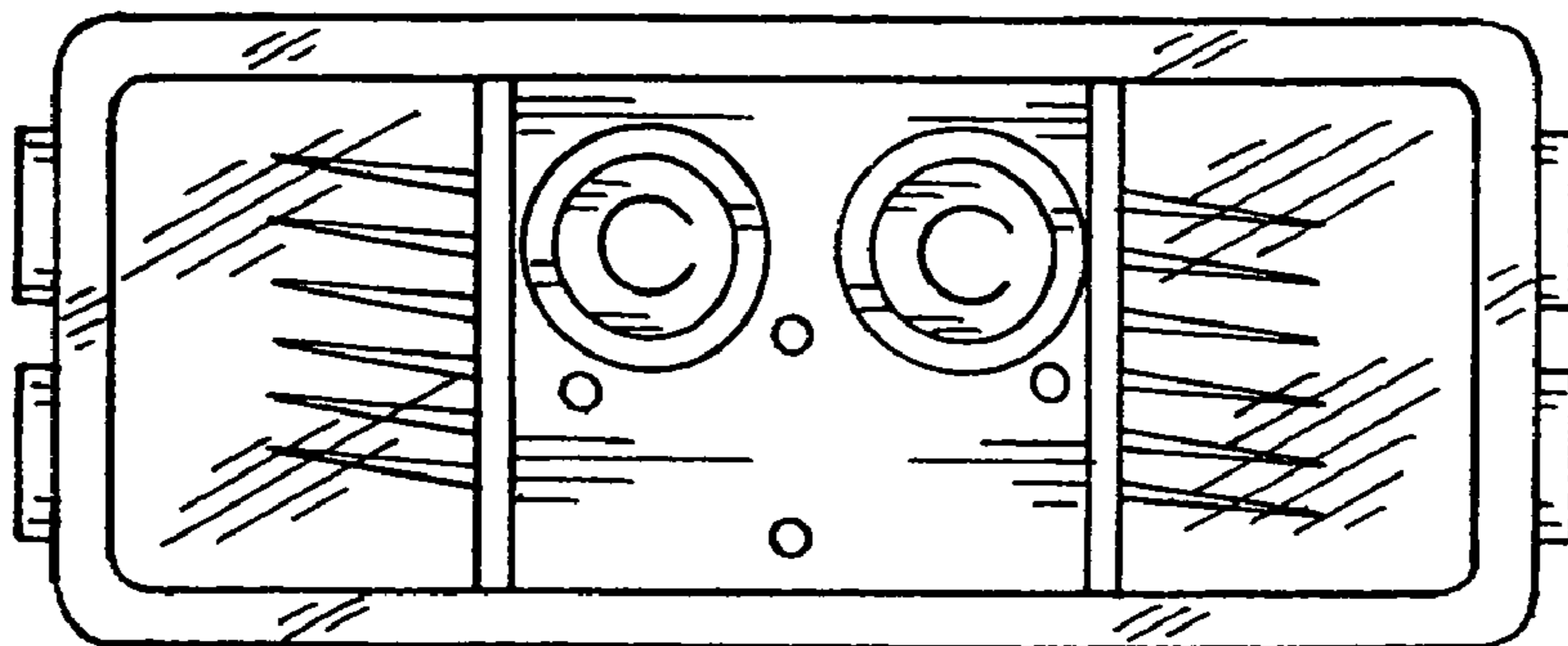


Fig. 3

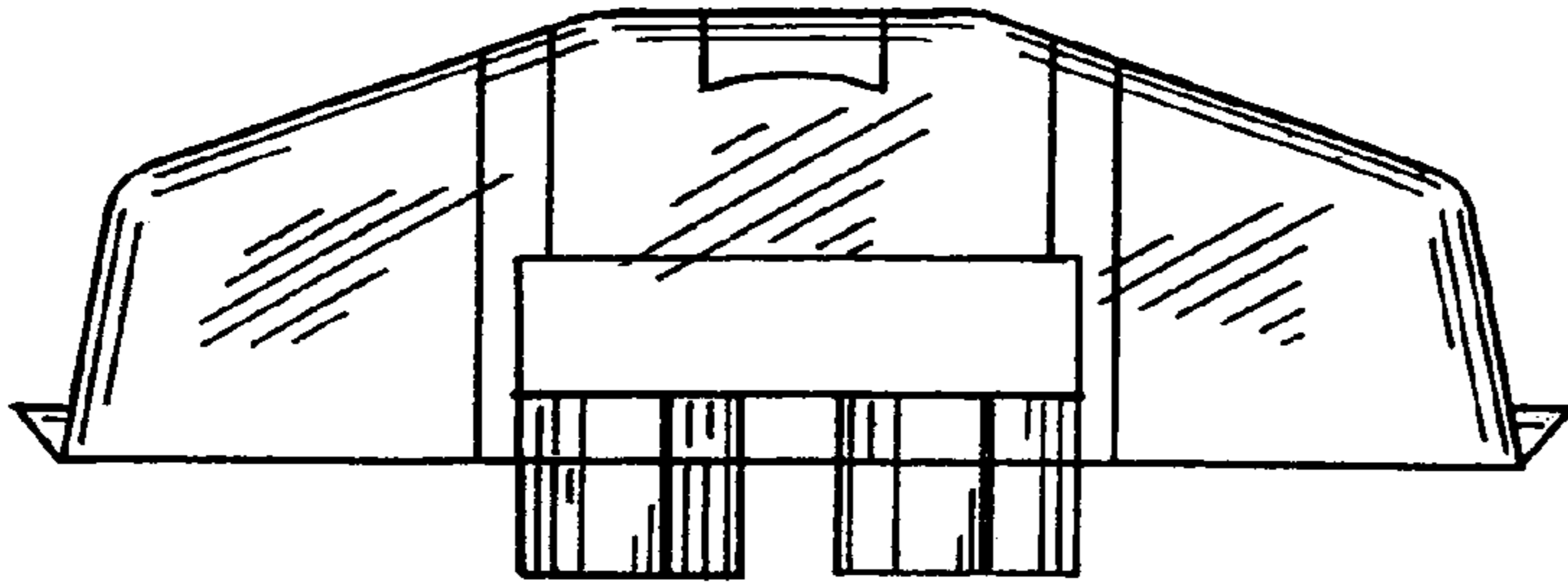


Fig. 4

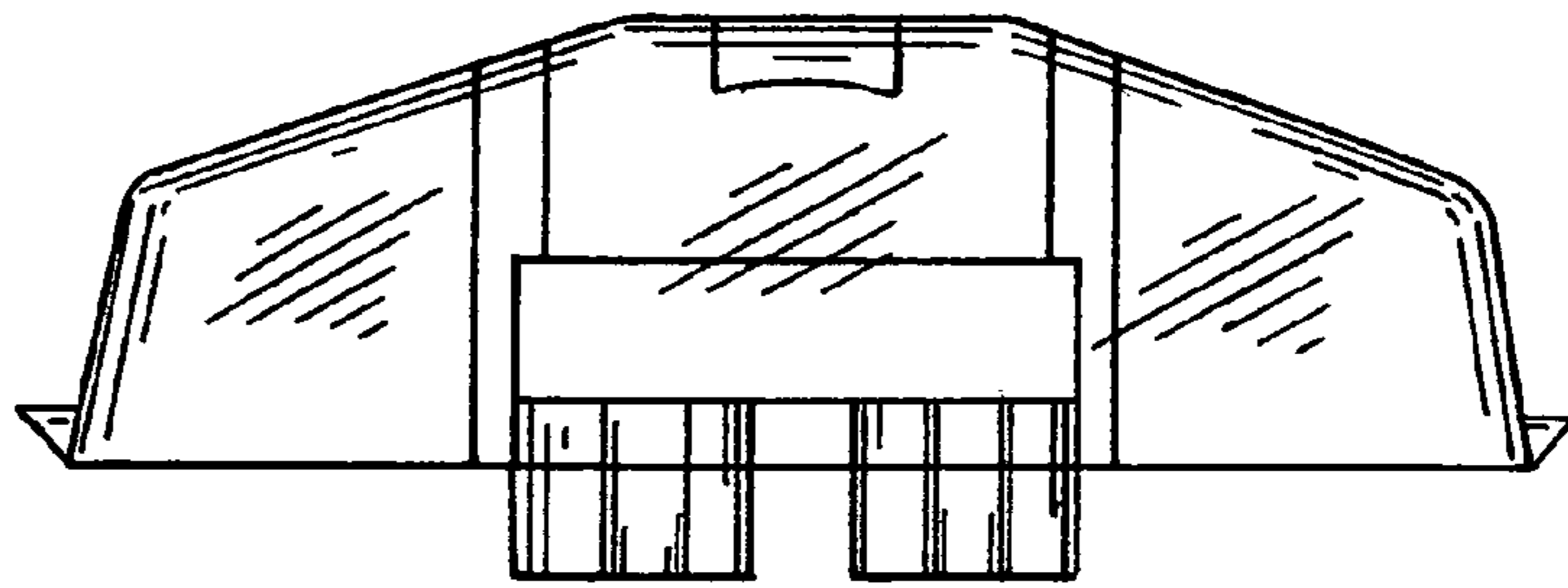


Fig. 5

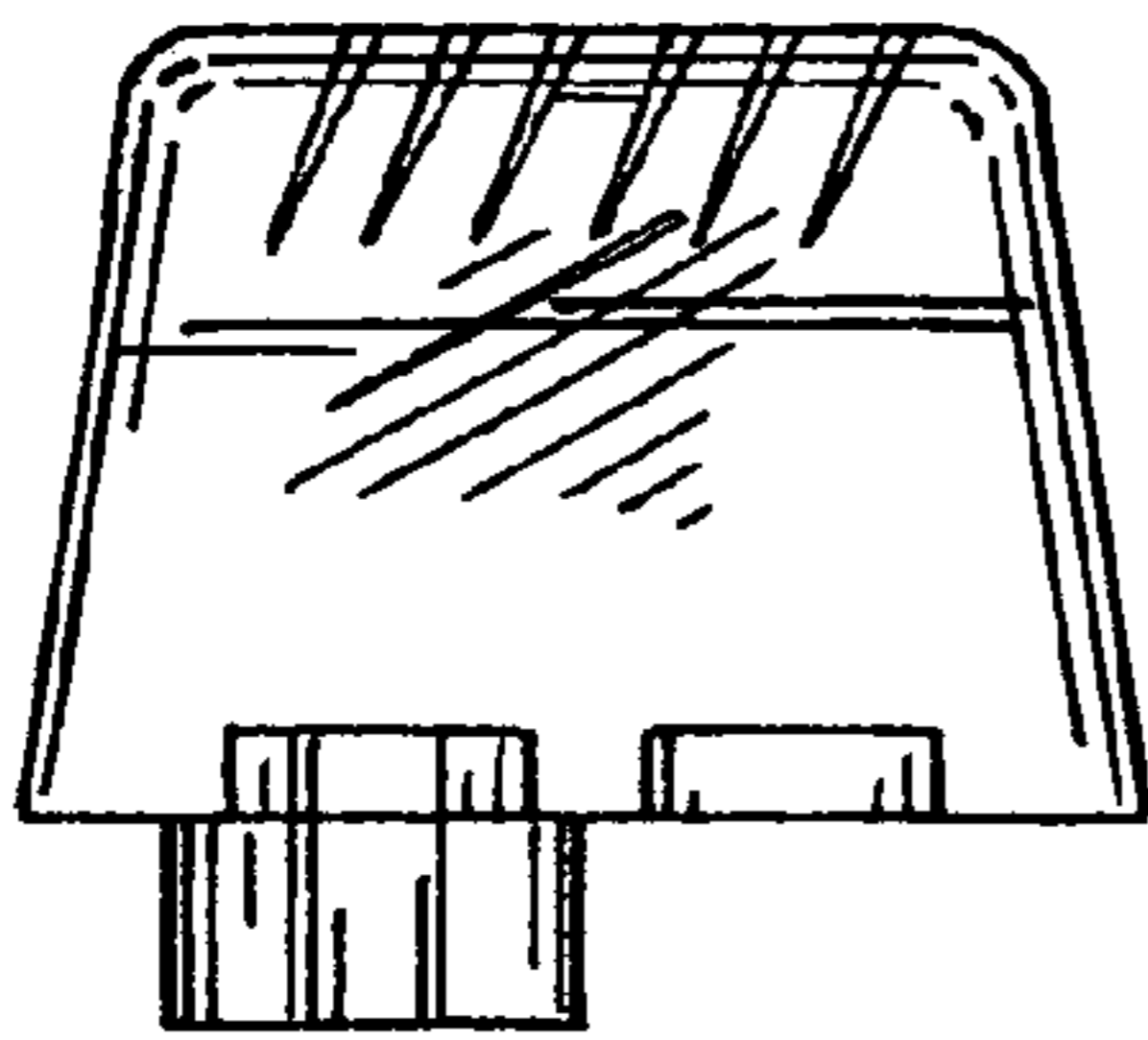


Fig. 6

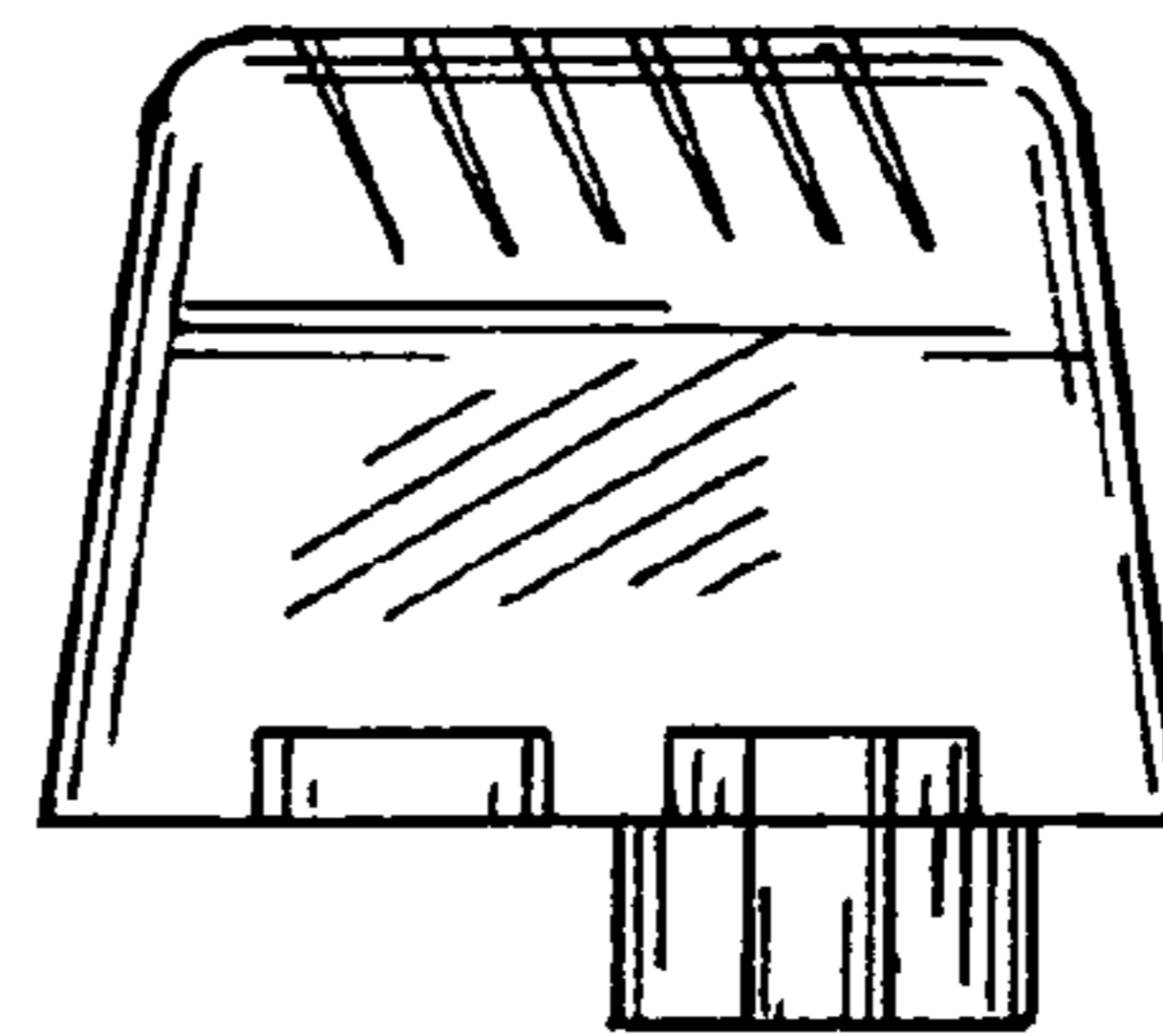


Fig. 7