



US00D579588S

(12) **United States Design Patent**
Adams et al.

(10) **Patent No.:** **US D579,588 S**
(45) **Date of Patent:** **** Oct. 28, 2008**

(54) **DECORATIVE CANDLEHOLDER**

FOREIGN PATENT DOCUMENTS

(75) Inventors: **Mary Beth Adams**, Antioch, IL (US);
Jesse D. Cotterman, West Bend, WI (US);
Paul E. Furner, Racine, WI (US);
Chris A. Kubicek, East Troy, WI (US);
Romuald Marie, Paris (FR); **Nathan R. Westphal**, Union Grove, WI (US)

WO WO 2004/083718 9/2004

(73) Assignee: **S.C. Johnson & Son, Inc.**, Racine, WI (US)

(**) Term: **14 Years**

(21) Appl. No.: **29/262,894**

(22) Filed: **Jul. 12, 2006**

OTHER PUBLICATIONS

Musical Candle Company; printed Nov. 14, 2006 (7 pages); http://www.musicalcandlecompany.com/default.asp?p=Category&category_id=103.

Primary Examiner—Robert M. Spear
Assistant Examiner—Ania K Dworzecka

(57) **CLAIM**

The ornamental design for a decorative candleholder, as shown and described.

Related U.S. Application Data

(63) Continuation-in-part of application No. 29/242,572, filed on Nov. 10, 2005, which is a continuation-in-part of application No. 29/234,510, filed on Jul. 19, 2005, which is a continuation-in-part of application No. 11/123,461, filed on May 6, 2005, and a continuation-in-part of application No. 11/123,809, filed on May 6, 2005, now Pat. No. 7,287,978.

(51) **LOC (8) Cl.** **26-01**

(52) **U.S. Cl.** **D26/9**

(58) **Field of Classification Search** D26/6-23;
431/288, 125, 126, 292, 289; D11/131, 131.1,
D11/157; D7/585; D6/300, 470; D8/353;
D25/55

See application file for complete search history.

(56) **References Cited**

U.S. PATENT DOCUMENTS

D1,567 S * 4/1862 Cores D6/470

(Continued)

DESCRIPTION

FIG. 1 is an isometric view of a decorative candleholder according to the present invention;

FIG. 2 is a front elevational view of the decorative candleholder of FIG. 1;

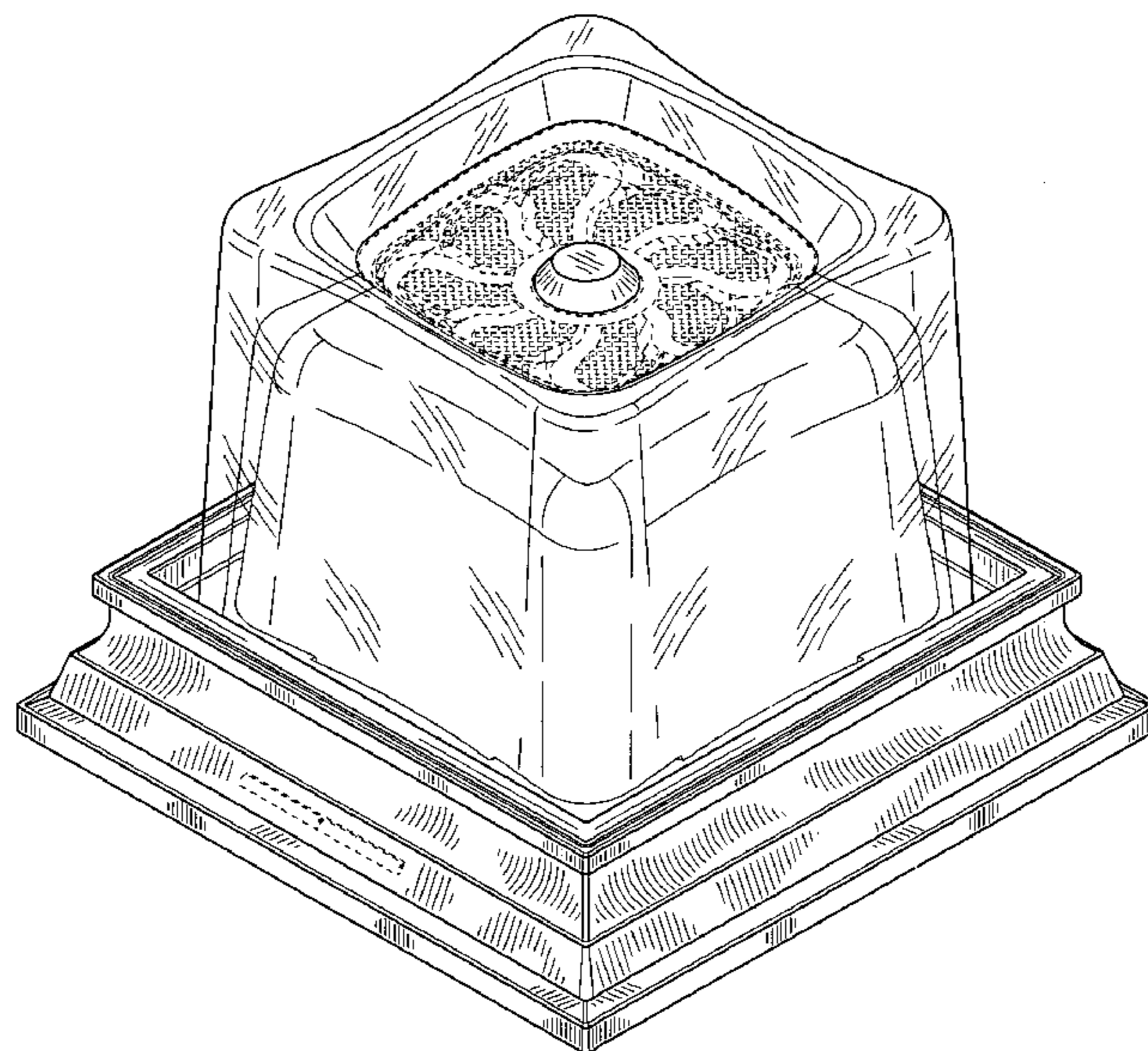
FIG. 3 is a right elevational view of the decorative candleholder of FIG. 1, the opposing left elevational view being a mirror image thereof;

FIG. 4 is a rear elevational view of the decorative candleholder of FIG. 1; and,

FIG. 5 is a top elevational view of the decorative candleholder of FIG. 1.

The patterns shown in broken lines in FIGS. 1 and 5 that resemble a series of offset radial hooks and cross hatching comprise surface indicia that are not part of the claimed design. Remaining structures shown in broken lines form no part of the claimed design.

1 Claim, 5 Drawing Sheets



US D579,588 S

Page 2

U.S. PATENT DOCUMENTS

D3,074 S *	6/1868	Howells	D6/470	6,152,728 A	11/2000	Griffel
2,023,260 A *	12/1935	Beers et al.	312/114	D443,081 S	5/2001	Klett et al.
D175,585 S *	9/1955	Carlstead	D26/10	6,241,362 B1	6/2001	Morrison
D181,755 S *	12/1957	Spertus	D6/300	6,371,756 B1	4/2002	Toohy
3,884,383 A	5/1975	Burch et al.			6,439,471 B2	8/2002	Ehrlich et al.
3,890,085 A	6/1975	Andeweg			D469,893 S	2/2003	Shen
3,994,502 A	11/1976	Lombardi			D474,854 S	5/2003	Lam
4,102,634 A	7/1978	Crisp			6,575,613 B2	6/2003	Brown et al.
D257,641 S	12/1980	Taylor			D484,365 S	12/2003	Wyche
4,524,408 A	6/1985	Minera			6,695,611 B2	2/2004	Lee
4,755,135 A	7/1988	Kwok			6,719,443 B2	4/2004	Gutstein et al.
5,069,617 A	12/1991	Lin			6,733,279 B2	5/2004	Thigpen et al.
D325,077 S	3/1992	Kearnes			D495,438 S	8/2004	Barbera et al.
5,174,645 A	12/1992	Chung			6,802,707 B2	10/2004	Furner et al.
D362,179 S	9/1995	Kaplan			6,960,076 B2	11/2005	Yu
D372,797 S *	8/1996	Ilaria et al.	D6/300	D519,216 S *	4/2006	Sandor D25/103
D393,910 S	4/1998	Chambers et al.			2002/0119413 A1	8/2002	Cheng
5,791,774 A	8/1998	Brilles			2005/0208447 A1	9/2005	Kubicek et al.
5,807,096 A	9/1998	Shin et al.			2005/0271994 A1	12/2005	Furner
5,921,767 A	7/1999	Song			2006/0002102 A1	1/2006	Leonard
6,033,209 A	3/2000	Shin et al.			2006/0120080 A1	6/2006	Sipinski et al.
6,050,812 A	4/2000	Chuang			2007/0020572 A1 *	1/2007	Furner et al. 431/289
					2007/0020573 A1 *	1/2007	Furner et al. 431/289

* cited by examiner

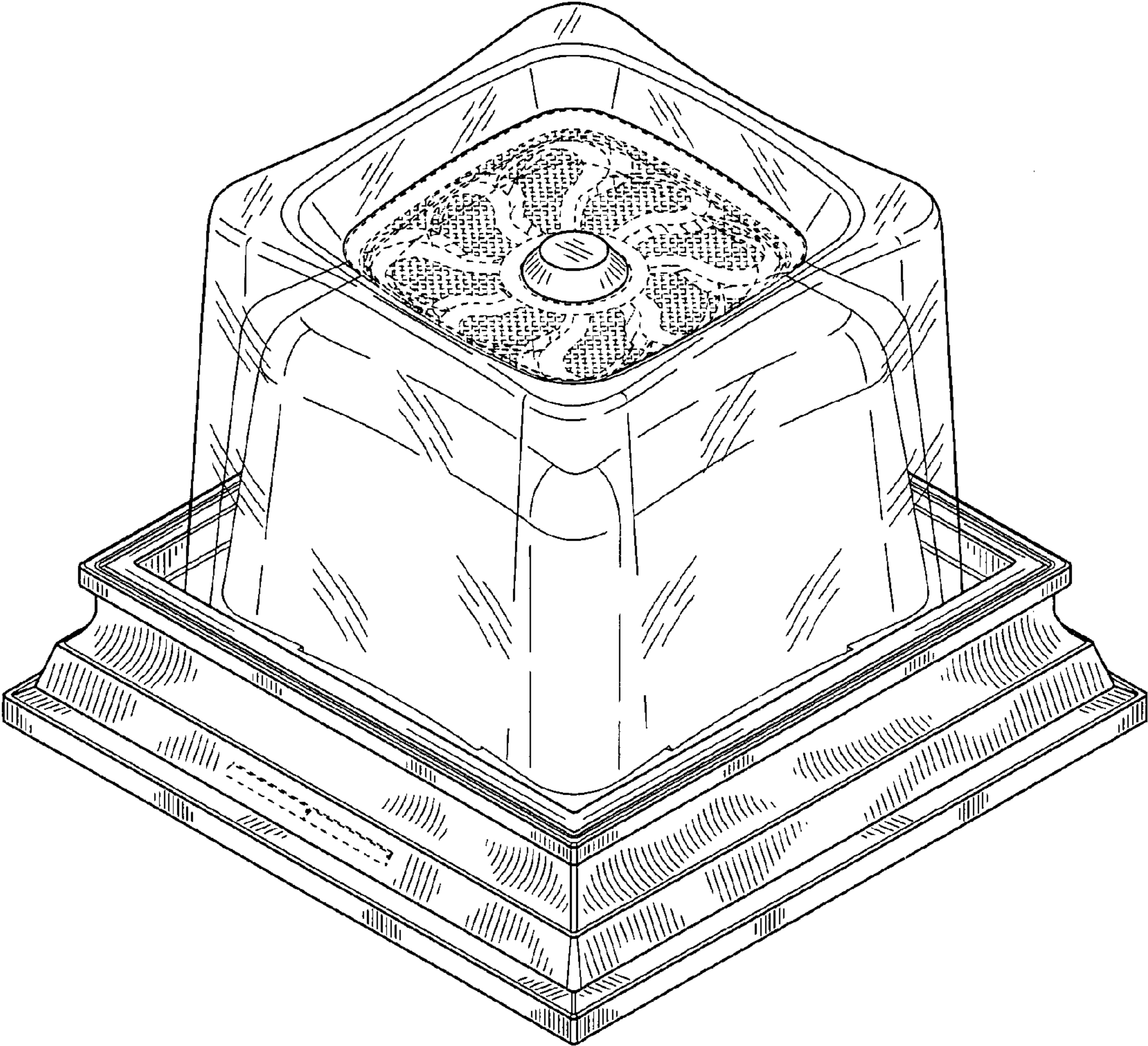


FIG. 1

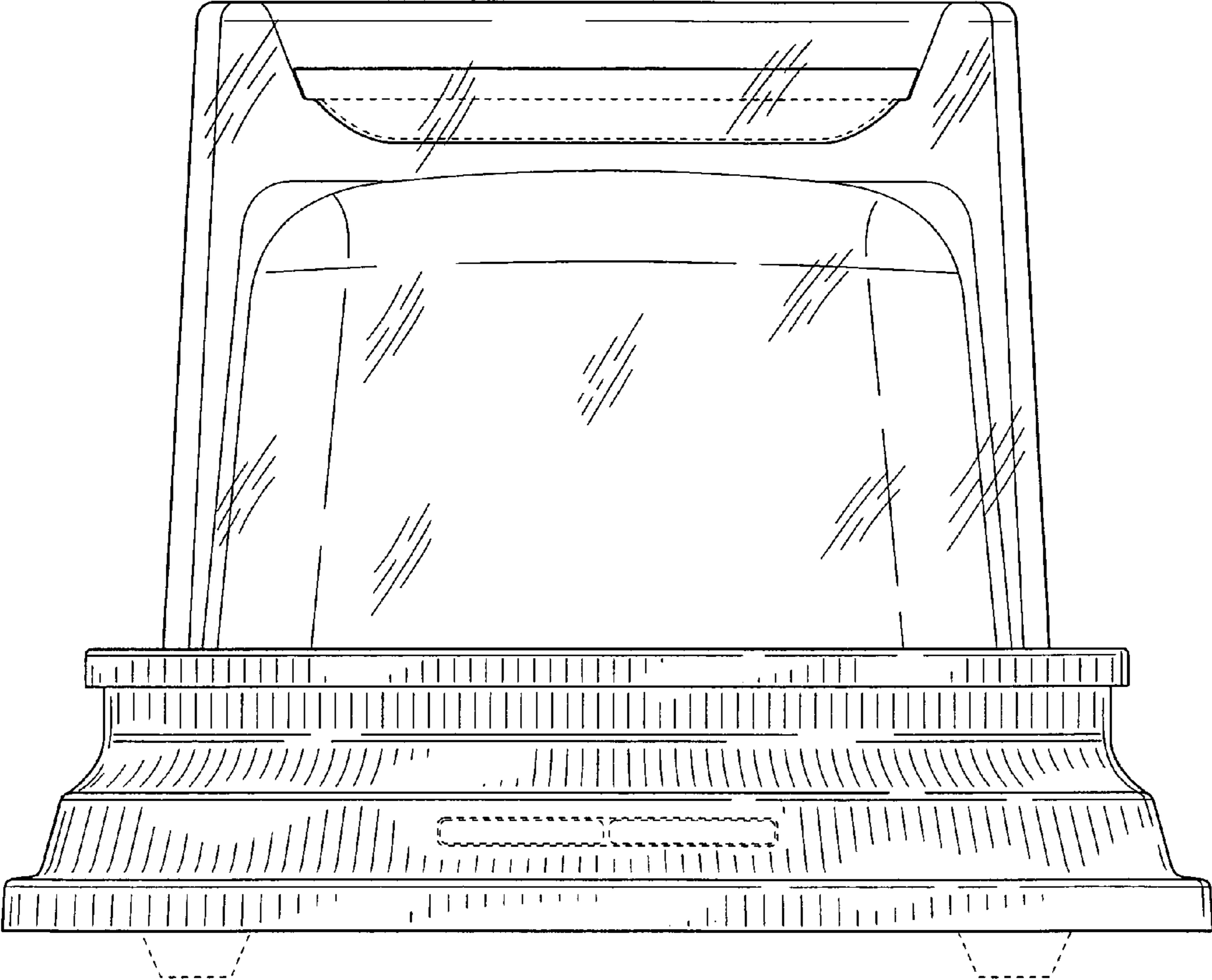


FIG. 2

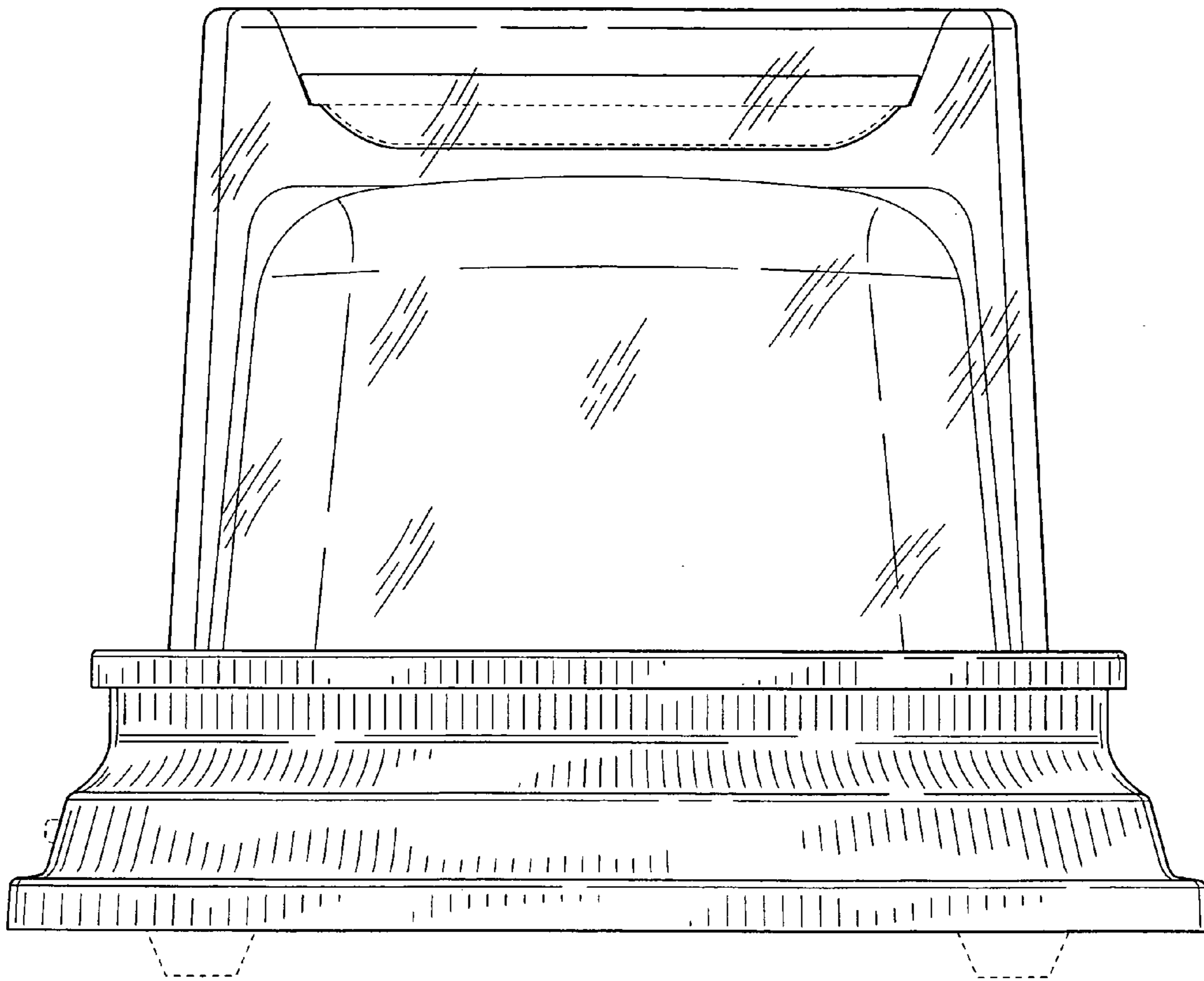


FIG. 3

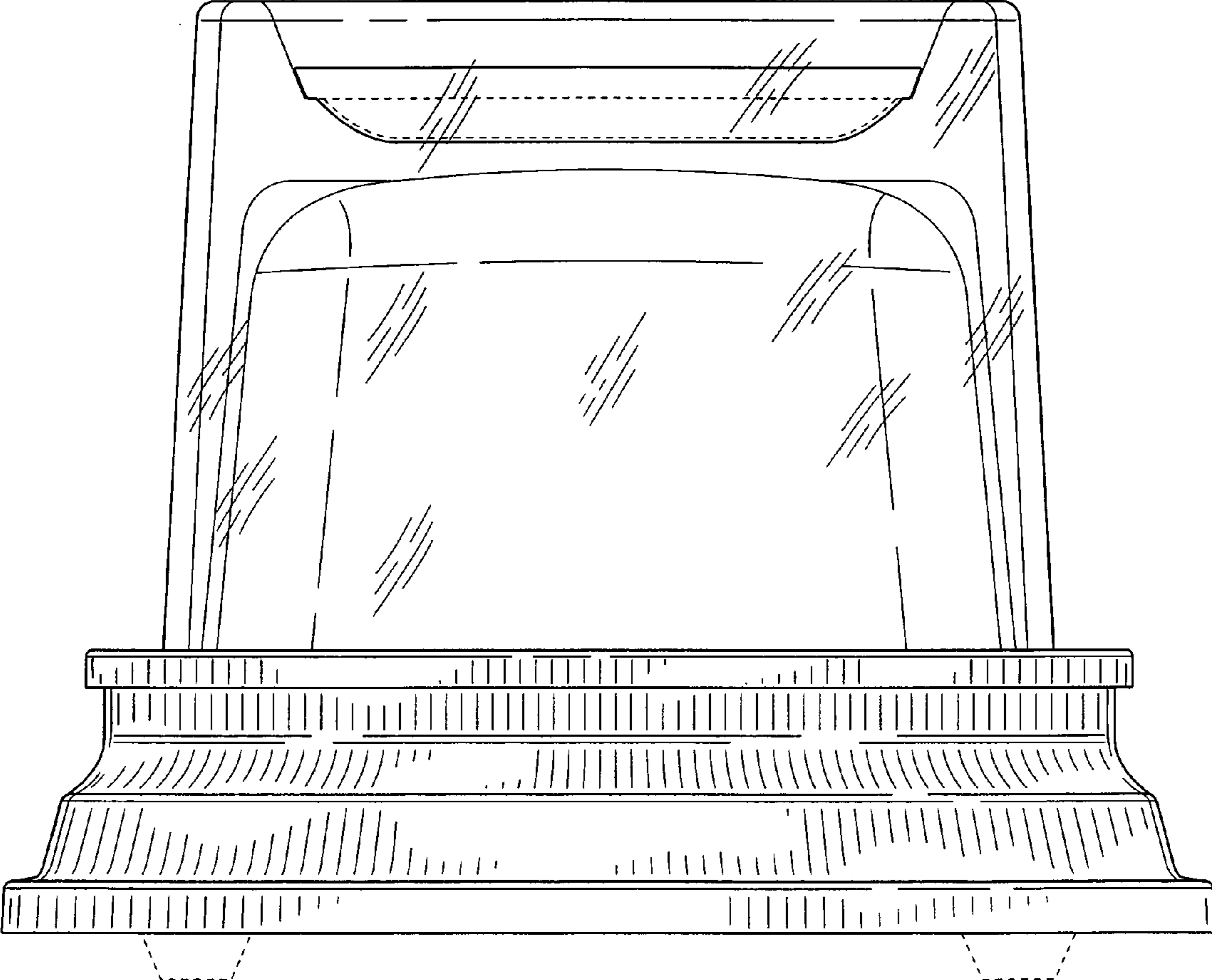


FIG. 4

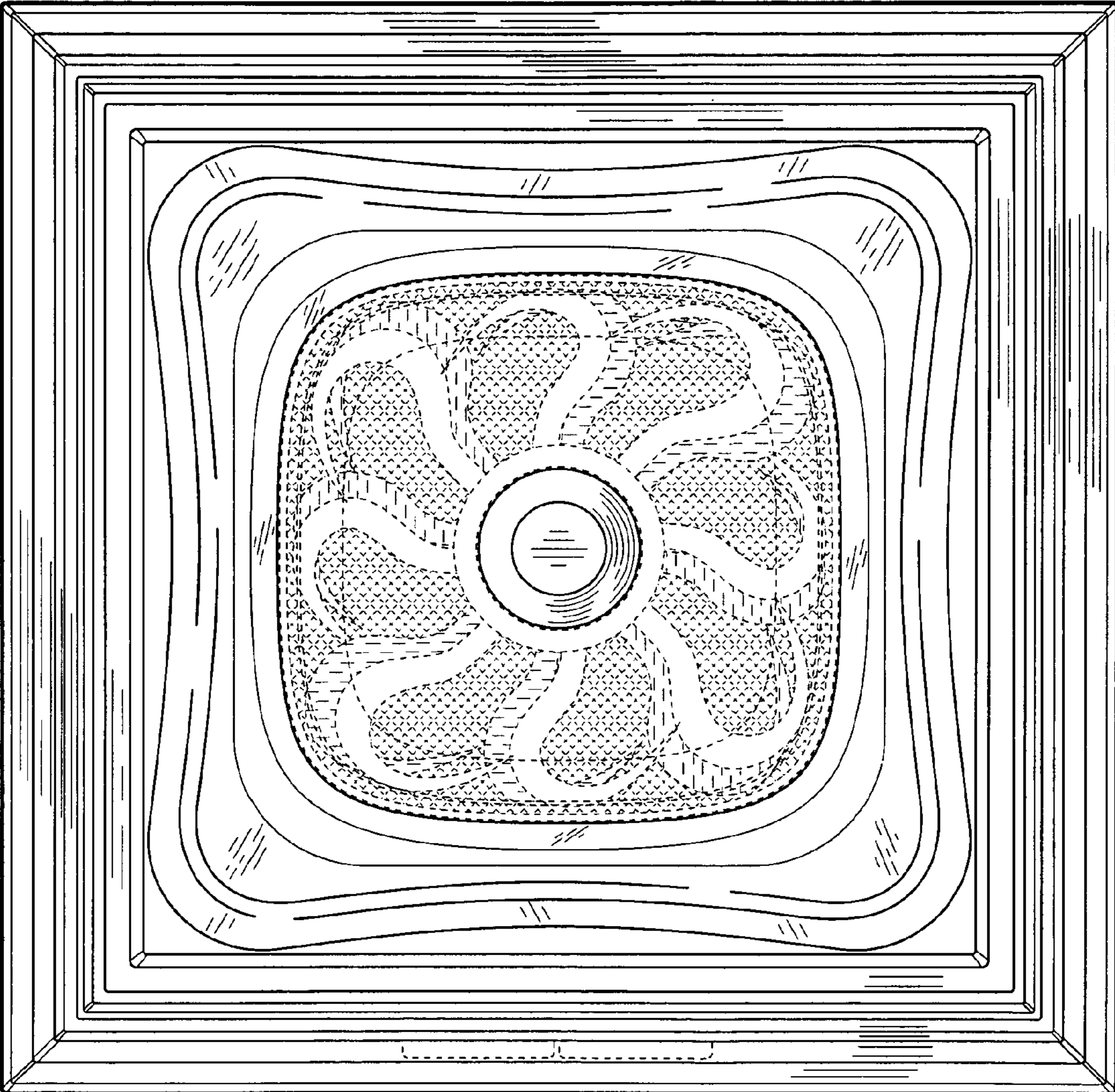


FIG. 5