



US00D579585S

(12) **United States Design Patent**
Walker et al.

(10) **Patent No.:** **US D579,585 S**
(45) **Date of Patent:** **** Oct. 28, 2008**

(54) **ADJUSTABLE POST SUPPORT**

(75) Inventors: **Simon Walker**, Surrey (CA); **Jianzhong Zhu**, Suzhou (CN)

(73) Assignee: **Peak Innovations Inc.**, Richmond (CA)

(**) Term: **14 Years**

(21) Appl. No.: **29/295,251**

(22) Filed: **Sep. 24, 2007**

(30) **Foreign Application Priority Data**

Mar. 23, 2007 (CA) 120000

(51) **LOC (8) Cl.** **25-01**

(52) **U.S. Cl.** **D25/131**

(58) **Field of Classification Search** D25/131,
D25/126, 127; 405/244; 248/545, 546, 530,
248/532, 511, 519, 516, 541; 52/155, 158,
52/159, 169, 146

See application file for complete search history.

(56) **References Cited**

U.S. PATENT DOCUMENTS

2,706,967 A	4/1955	Iannetti	
2,806,289 A	9/1957	Rongaus et al.	
3,204,689 A	9/1965	Manning	
4,249,715 A	2/1981	Repp	
4,588,157 A	5/1986	Mills	
4,651,399 A	3/1987	Moraly	
4,778,142 A	10/1988	Roba	
4,874,149 A	10/1989	Miceli	
5,404,682 A	4/1995	West	
5,456,441 A	10/1995	Callies	
5,709,366 A	1/1998	Speece	
5,884,874 A	3/1999	Speece et al.	
5,927,677 A	7/1999	Speece et al.	
D412,586 S *	8/1999	Kenny D25/131
RE36,550 E	2/2000	West	
6,039,298 A	3/2000	Stier	
D424,713 S	5/2000	Blackwell	
D446,868 S *	8/2001	Schwartz et al. D25/131

6,273,390 B1	8/2001	Meyer
6,308,926 B1	10/2001	Meyer
6,688,798 B2	2/2004	McDevitt
7,219,872 B2	5/2007	Walker

FOREIGN PATENT DOCUMENTS

DE	89 13 087 U1	2/1990
DE	295 19 676 U1	3/1996
DE	197 48 783 C1	11/1999
EP	0 144 870 A2	11/1984
EP	0 657 604 A1	6/1995
GB	2 111 553 A	7/1983
GB	2 140 839 A	12/1984
GB	2 235 937 A	3/1991
GB	2 268 523 A	1/1994
GB	2 284 435 A	6/1995
GB	2 322 877 A	9/1998
GB	2 355 996 A	5/2001
WO	94/10390 A1	5/1994

* cited by examiner

Primary Examiner—Doris Clark
(74) *Attorney, Agent, or Firm*—Mark Hopkinson

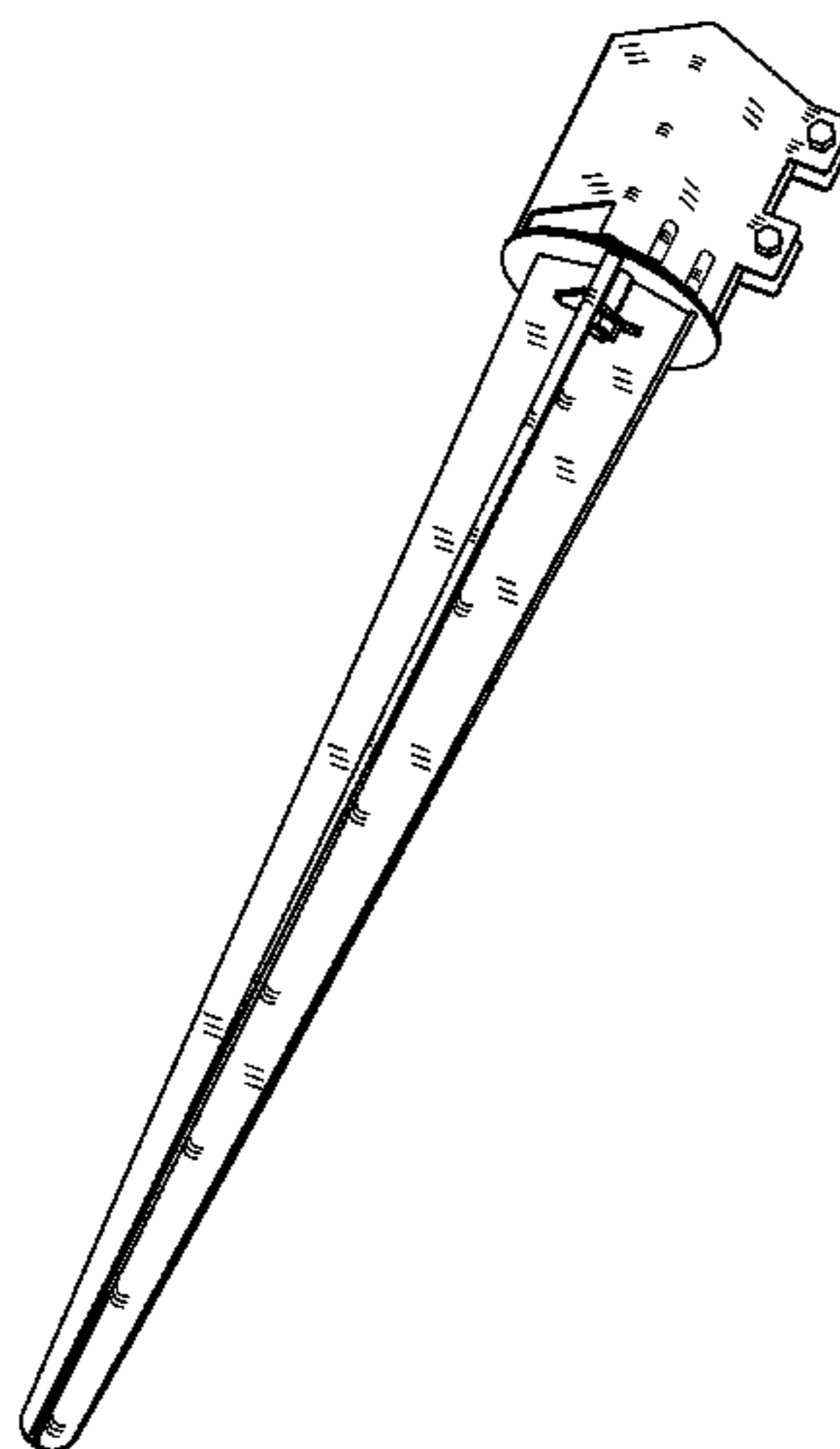
(57) **CLAIM**

We claim the ornamental design for an adjustable post support, as shown and described.

DESCRIPTION

FIG. 1 is a perspective view of the design;
FIG. 2 is a right side view of the design;
FIG. 3 is a rear side view of the design;
FIG. 4 is a left side view of the design;
FIG. 5 is a front side view of the design;
FIG. 6 is a top view of the design;
FIG. 7 is a bottom view of the first embodiment of the design;
and,
FIG. 8 is an enlarged perspective view of the top portion of the design.

1 Claim, 4 Drawing Sheets



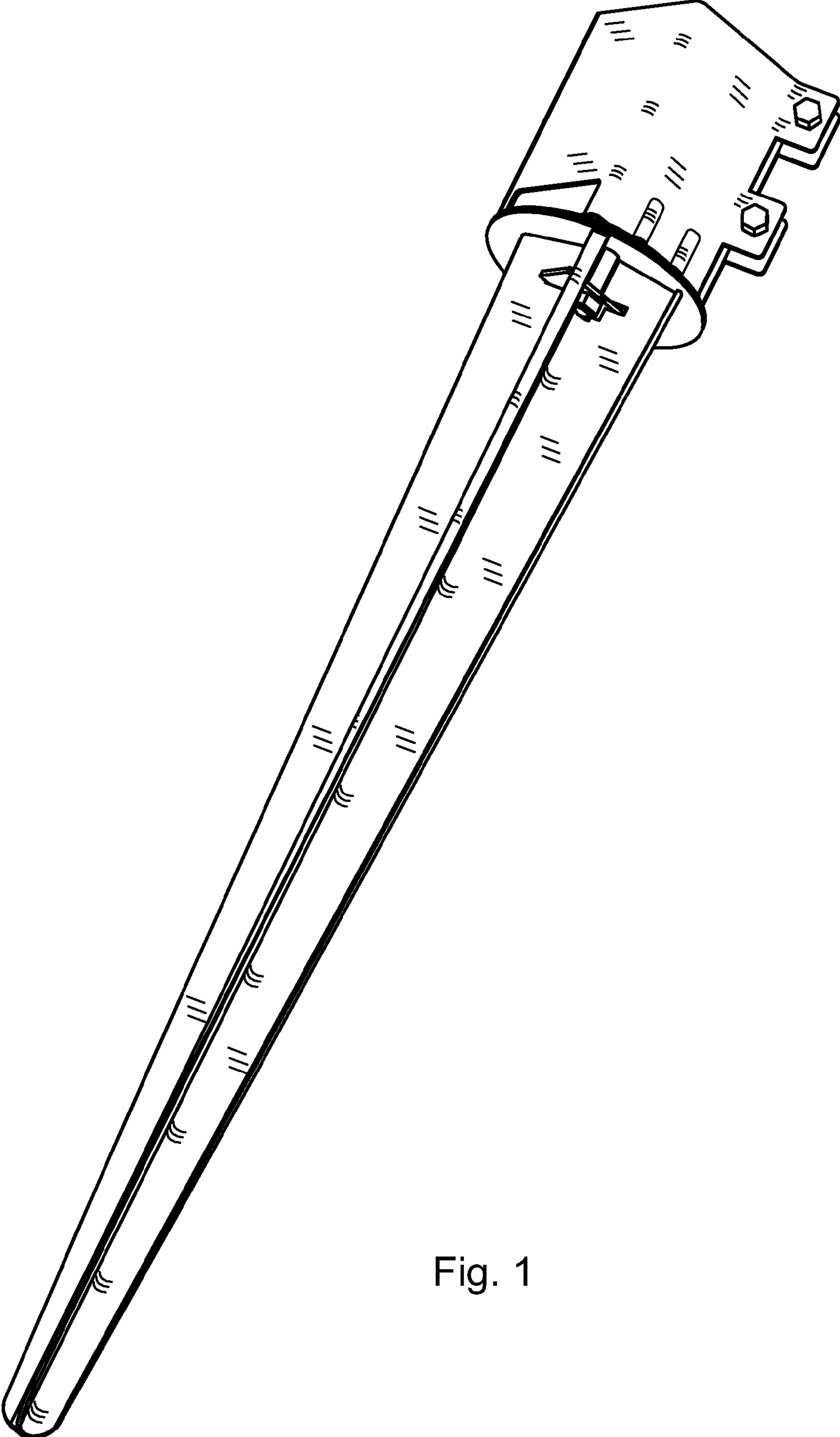


Fig. 1

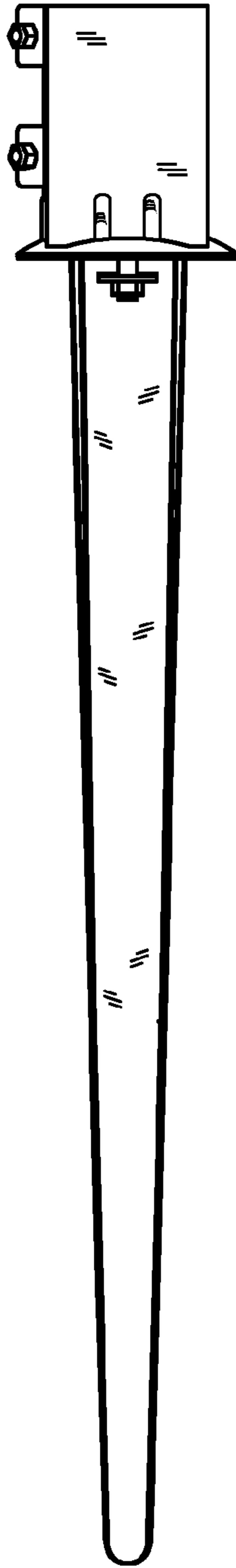


Fig. 2

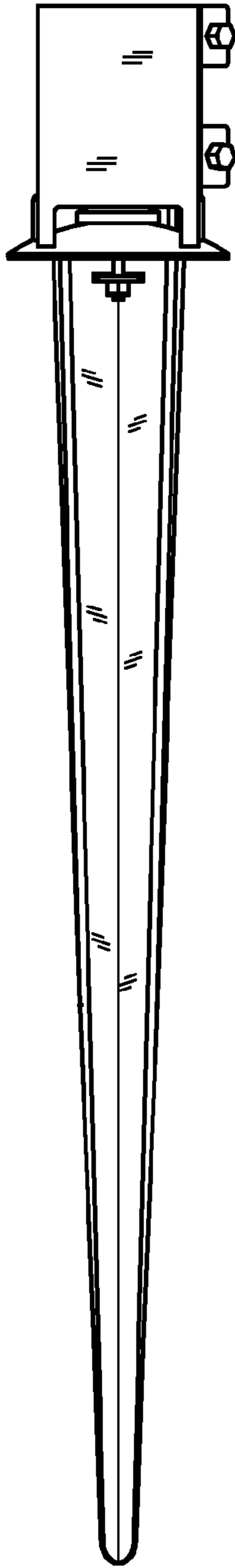


Fig. 3

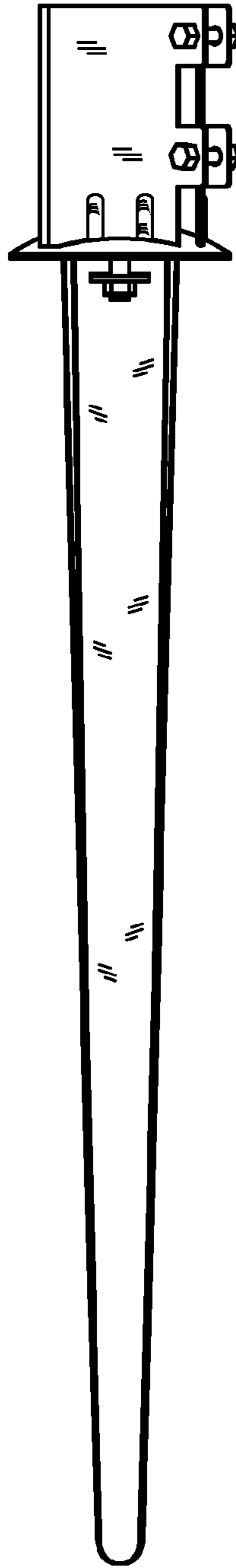


Fig. 4

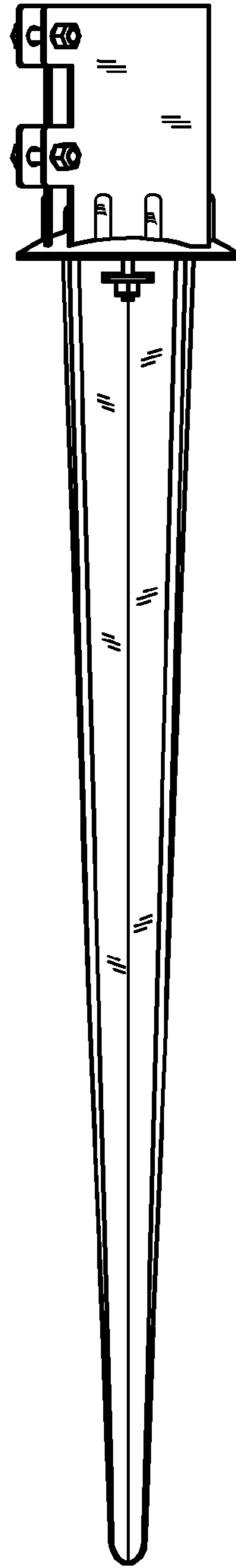


Fig. 5

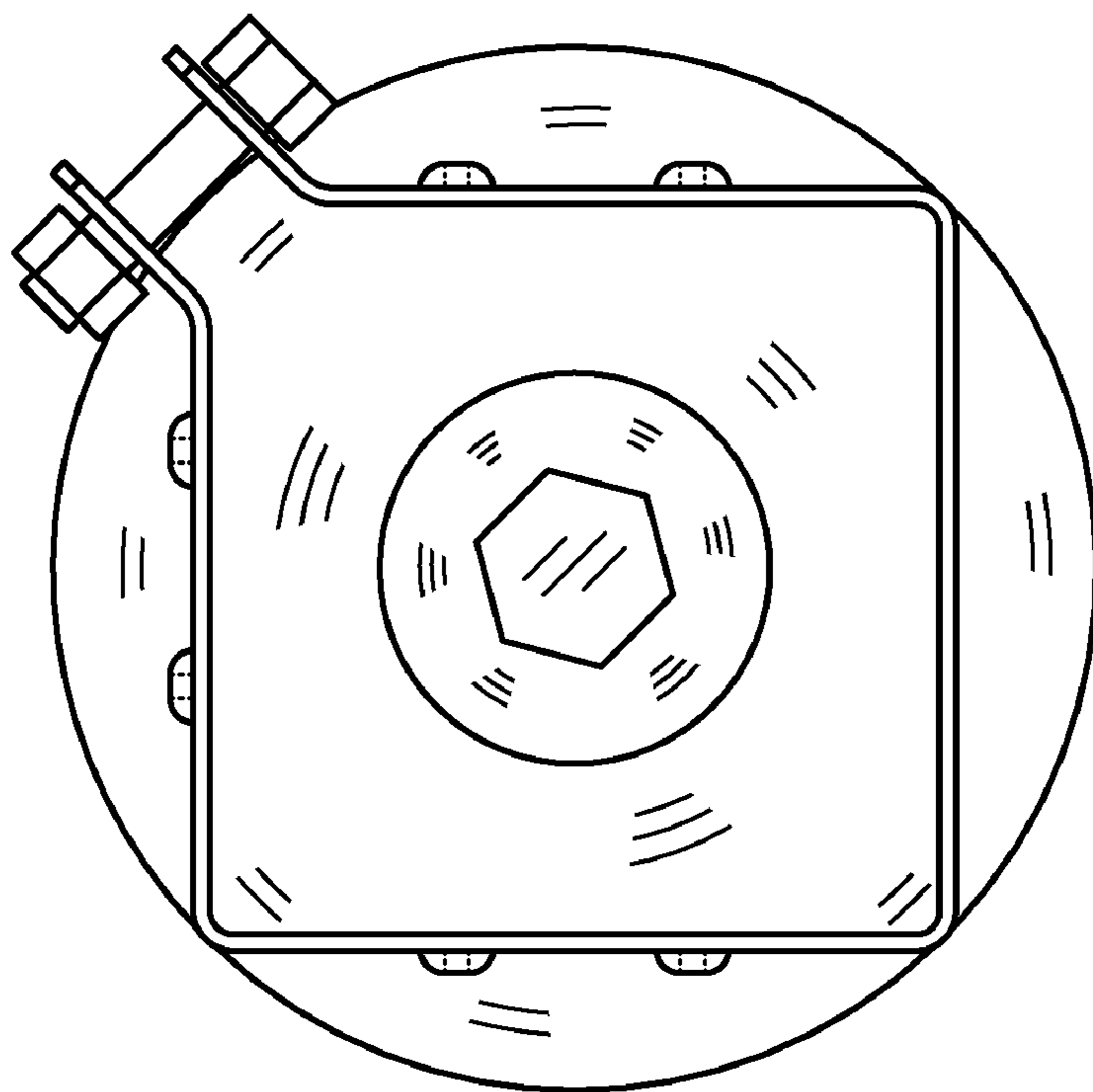


Fig. 6

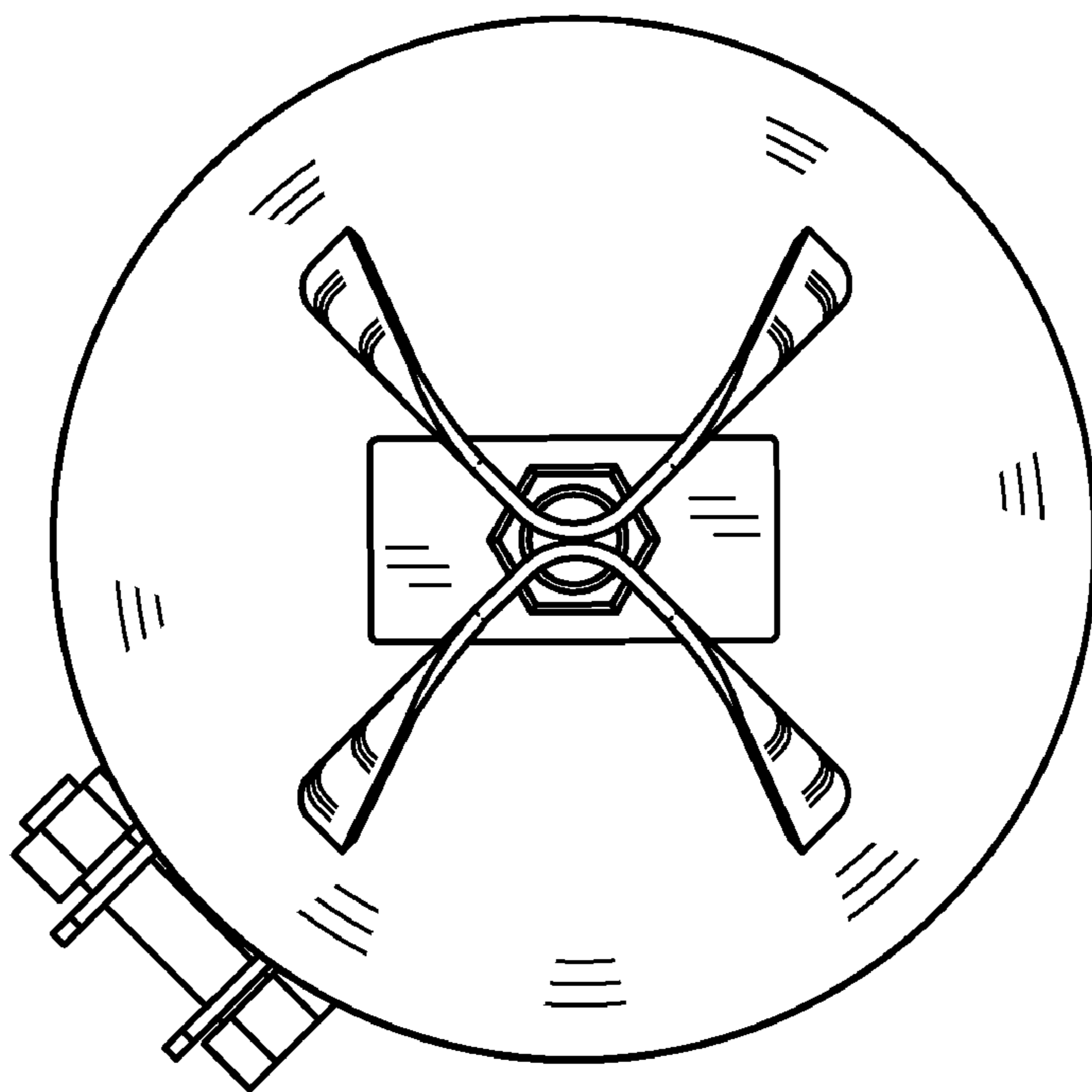


Fig. 7

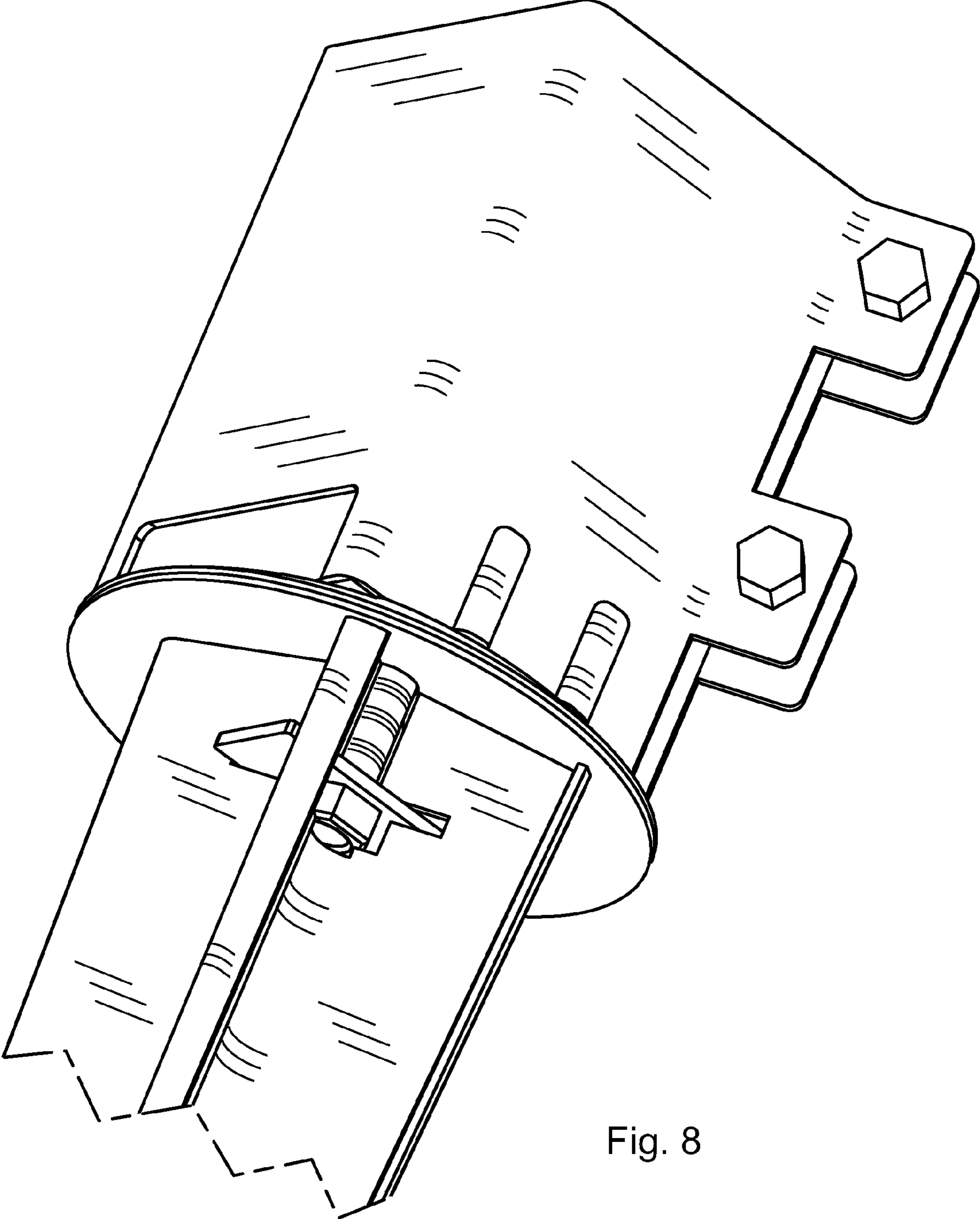


Fig. 8