



US00D579579S

(12) **United States Design Patent**
Chaney et al.

(10) **Patent No.:** **US D579,579 S**
(45) **Date of Patent:** **** Oct. 28, 2008**

(54) **WINDOW JAMB COMPONENT**

(75) Inventors: **Michael T. Chaney**, Middletown, OH (US); **Philip G. Morton**, Germantown, OH (US)

(73) Assignee: **Deceuninck North America, LLC**, Monroe, OH (US)

(**) Term: **14 Years**

(21) Appl. No.: **29/293,735**

(22) Filed: **Dec. 10, 2007**

(51) **LOC (8) Cl.** **25-01**

(52) **U.S. Cl.** **D25/119**

(58) **Field of Classification Search** D25/119,
D25/124, 125; 52/204.1, 204.2, 204.5, 204.51,
52/656.5, 656.6, 213, 215, 208; 49/DIG. 2,
49/504, 501

See application file for complete search history.

(56) **References Cited**

U.S. PATENT DOCUMENTS

3,271,902 A * 9/1966 Dwansanoor et al. 49/483.1

D504,958 S * 5/2005 Cole D25/119

D504,959 S * 5/2005 Cole D25/119

D505,498 S * 5/2005 Cole D25/119

D508,740 S * 8/2005 Cole D25/119

* cited by examiner

Primary Examiner—Doris Clark

(74) *Attorney, Agent, or Firm*—Jacox, Meckstroth & Jenkins

(57) **CLAIM**

The ornamental design of a window jamb component, as shown and described.

DESCRIPTION

FIG. 1 is a perspective view of a window jamb component, showing our new design, with a middle portion broken away to disclose indefinite length; and,

FIG. 2 is an end view.

1 Claim, 1 Drawing Sheet

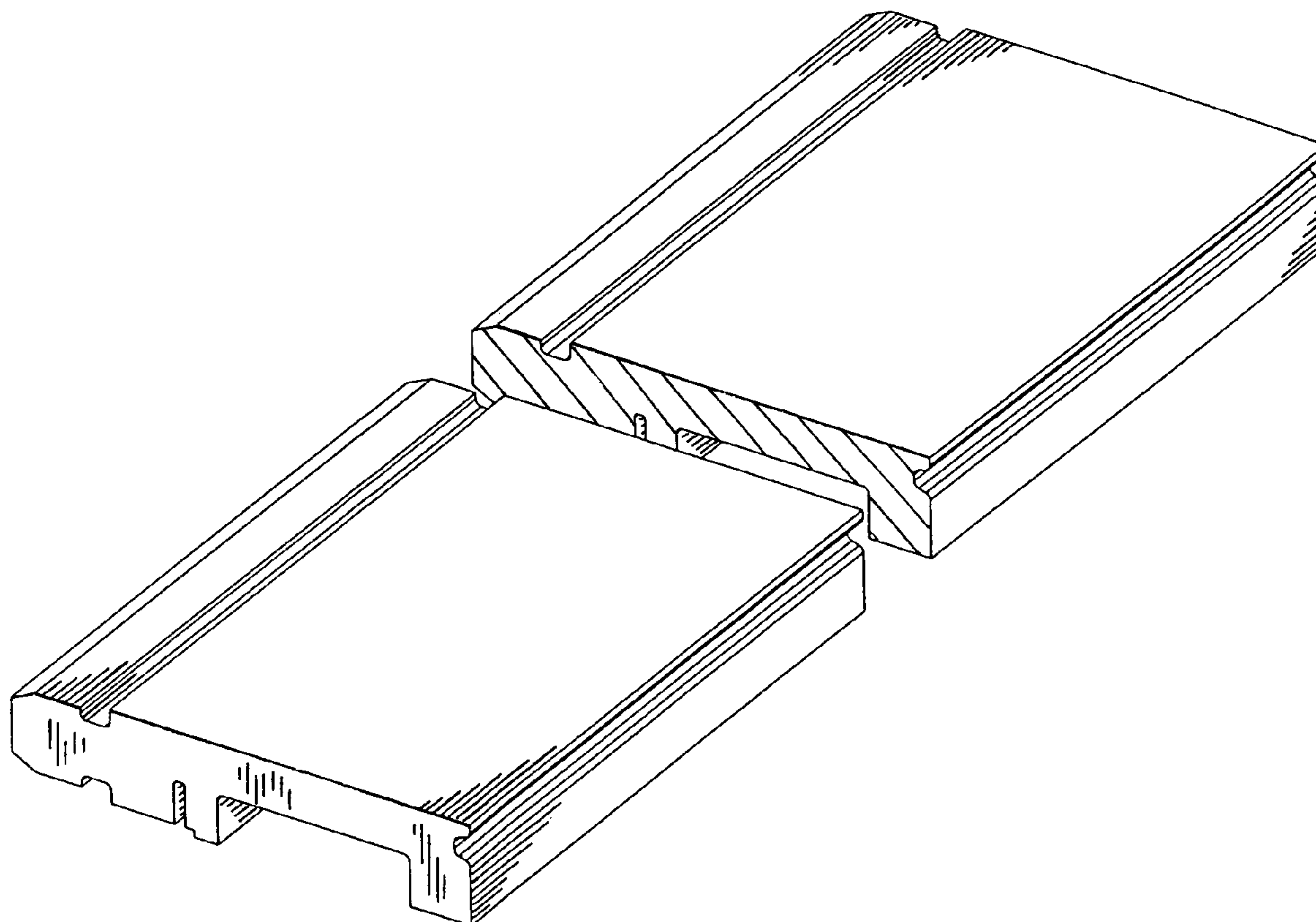


FIG-1

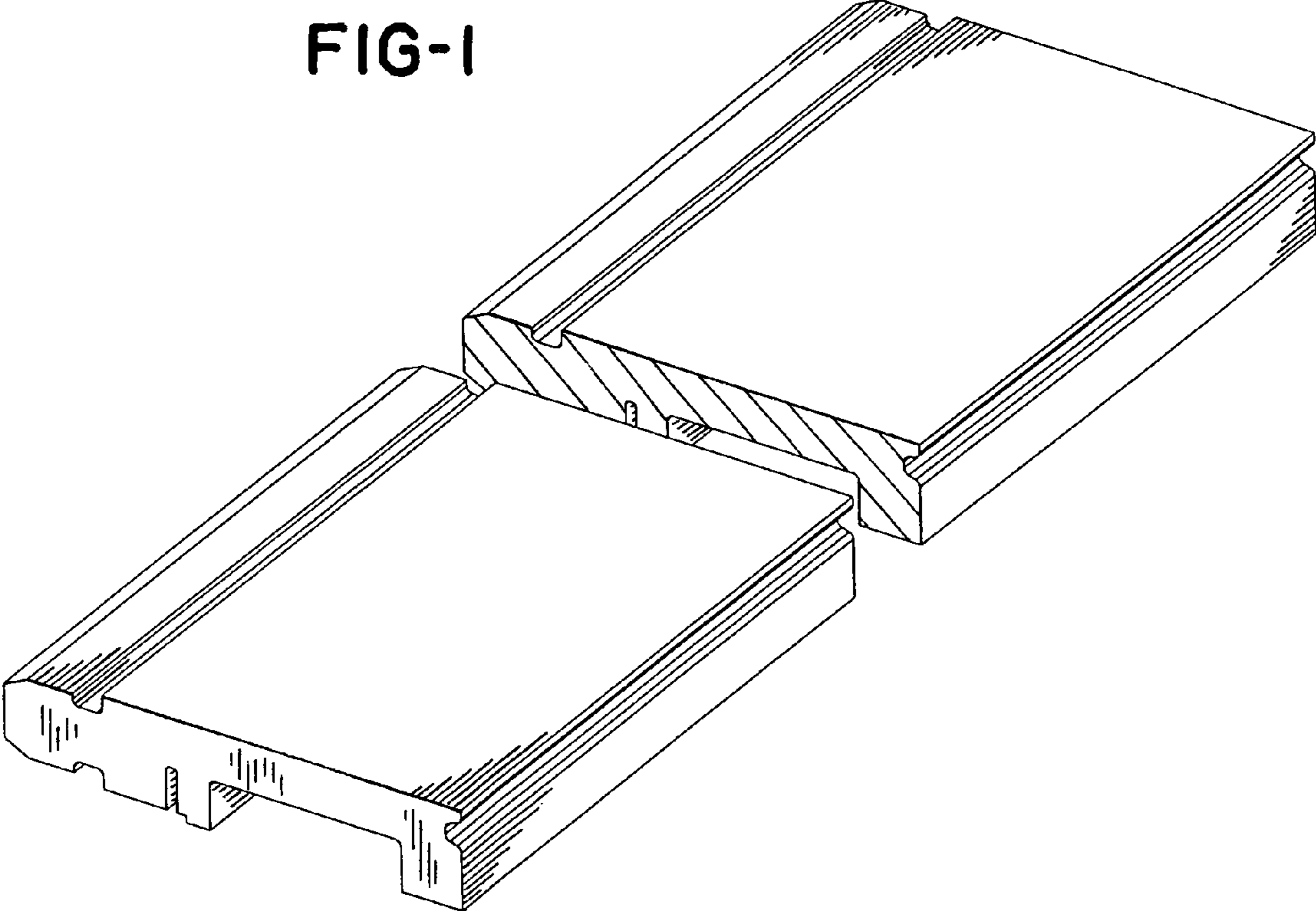


FIG-2

