



US00D579578S

(12) **United States Design Patent**  
**Chaney et al.**

(10) **Patent No.:** **US D579,578 S**  
(45) **Date of Patent:** **\*\* Oct. 28, 2008**

(54) **WINDOW FRAME COMPONENT**

(75) Inventors: **Michael T. Chaney**, Middletown, OH (US); **Philip G. Morton**, Germantown, OH (US)

(73) Assignee: **Deceuninck North America, LLC**, Monroe, OH (US)

(\*\*) Term: **14 Years**

(21) Appl. No.: **29/293,731**

(22) Filed: **Dec. 10, 2007**

(51) **LOC (8) Cl.** ..... **25-01**

(52) **U.S. Cl.** ..... **D25/119**

(58) **Field of Classification Search** ..... D25/119,  
D25/124, 125; 52/204.1, 204.2, 204.5, 204.51,  
52/656.5, 656.6, 213, 215, 208; 49/DIG. 2,  
49/504, 501

See application file for complete search history.

(56) **References Cited**

**U.S. PATENT DOCUMENTS**

3,271,902 A \* 9/1966 Dwansanoor et al. .... 49/483.1

D504,958 S \* 5/2005 Cole ..... D25/119  
D504,959 S \* 5/2005 Cole ..... D25/119  
D505,498 S \* 5/2005 Cole ..... D25/119  
D508,740 S \* 8/2005 Cole ..... D25/119

\* cited by examiner

*Primary Examiner*—Doris Clark

(74) *Attorney, Agent, or Firm*—Jacox, Meckstroth & Jenkins

(57) **CLAIM**

The ornamental design for a window frame component, as shown and described.

**DESCRIPTION**

FIG. 1 is a perspective view of a window frame component, showing our new design, with a middle portion broken away to disclose indefinite length; and,

FIG. 2 is an end view.

**1 Claim, 1 Drawing Sheet**

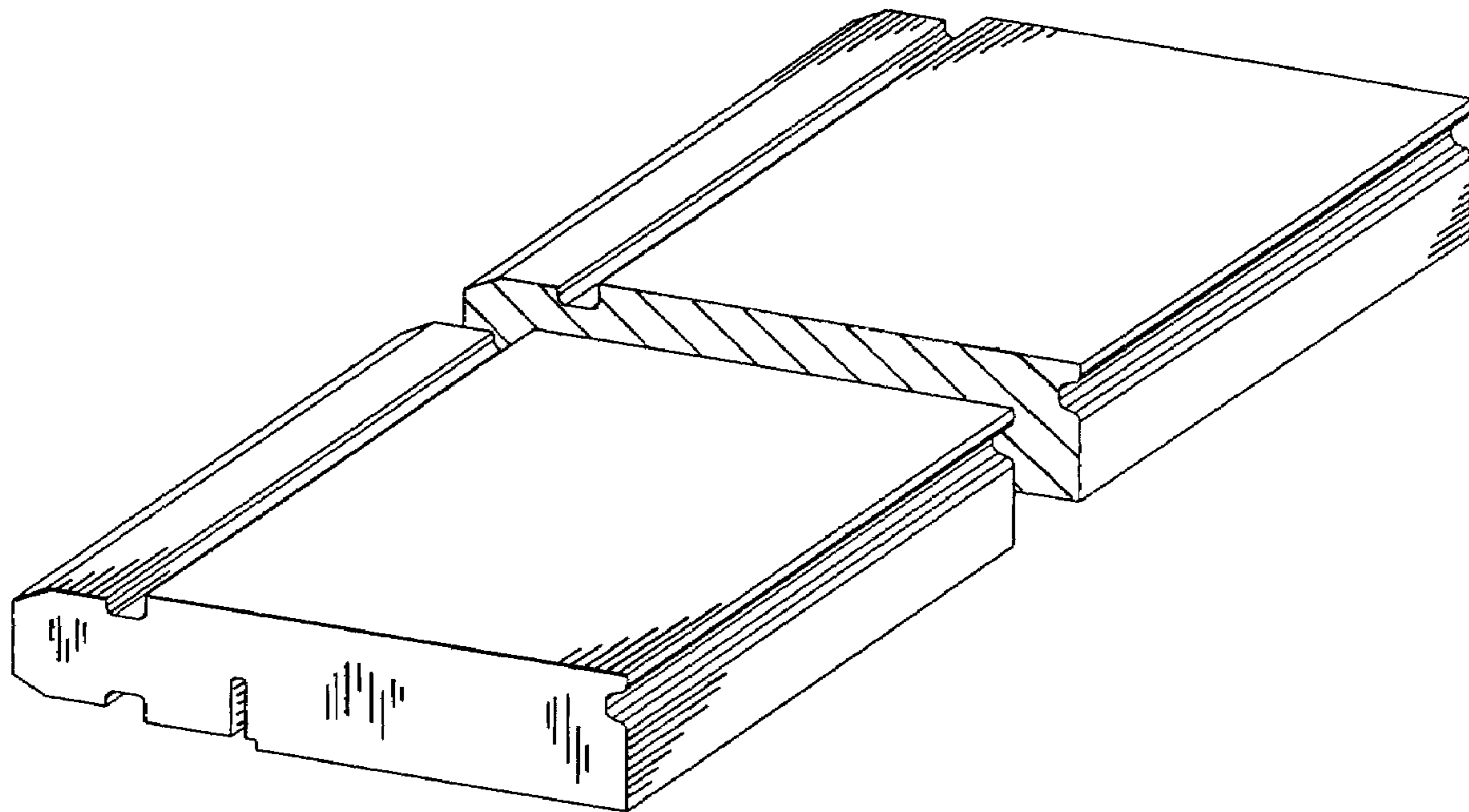


FIG-1

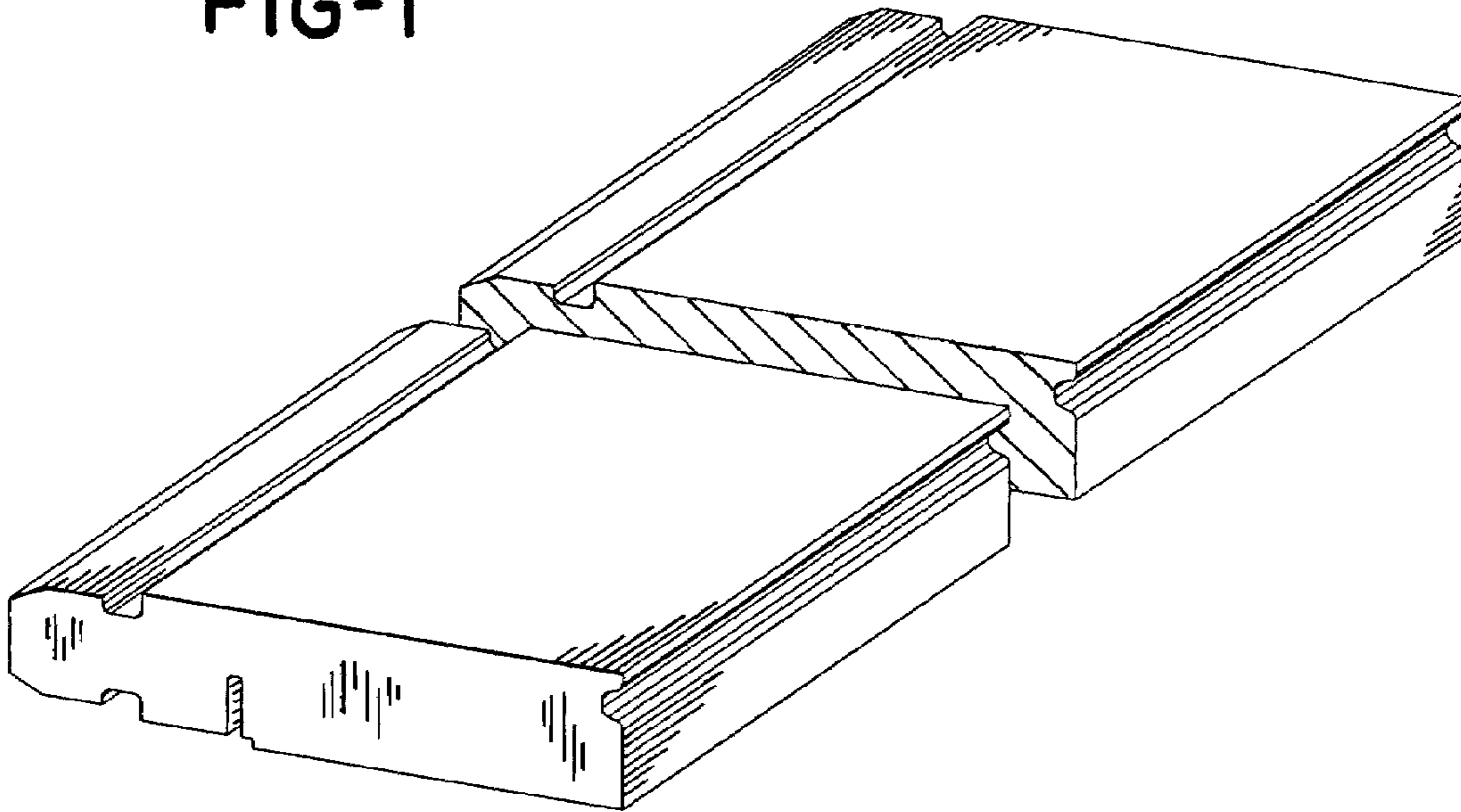


FIG-2

