



US00D579577S

(12) **United States Design Patent**
Joseph

(10) **Patent No.:** **US D579,577 S**
(45) **Date of Patent:** **** Oct. 28, 2008**

(54) **WALKWAY PAVING STONE**

(75) Inventor: **Jennifer Joseph**, 7321 Forest Mere Dr.,
Riverview, FL (US) 33578

(73) Assignee: **Jennifer Joseph**, Riverview, FL (US)

(**) Term: **14 Years**

(21) Appl. No.: **29/285,282**

(22) Filed: **Mar. 27, 2007**

(51) **LOC (8) Cl.** **25-01**

(52) **U.S. Cl.** **D25/113**

(58) **Field of Classification Search** D25/102,
D25/112-118, 158, 163; 405/16, 284, 286;
52/102, 574, 596-612; D21/484-486, 490,
D21/491, 493

See application file for complete search history.

(56) **References Cited**

U.S. PATENT DOCUMENTS

150,710 A * 5/1874 Prindle D25/113
D260,935 S * 9/1981 Pratt D25/118
5,095,674 A * 3/1992 Huettemann 52/612
D348,739 S * 7/1994 Krueger et al. D25/157

D389,589 S * 1/1998 Artajona-Baena D25/113
D451,208 S * 11/2001 Falconer D25/113
D503,483 S * 3/2005 Williams D25/113
D555,809 S * 11/2007 Urriola D25/118

* cited by examiner

Primary Examiner—Louis S Zarfaz
Assistant Examiner—Anhdao Doan

(57) **CLAIM**

The ornamental design for a walkway paving stone, as shown and described.

DESCRIPTION

The present design relates to a decorative paving stone for use as the pavers for driveways, sidewalks, patios and the like.

FIG. 1 is a front elevation view of a walkway paving stone of the present invention;

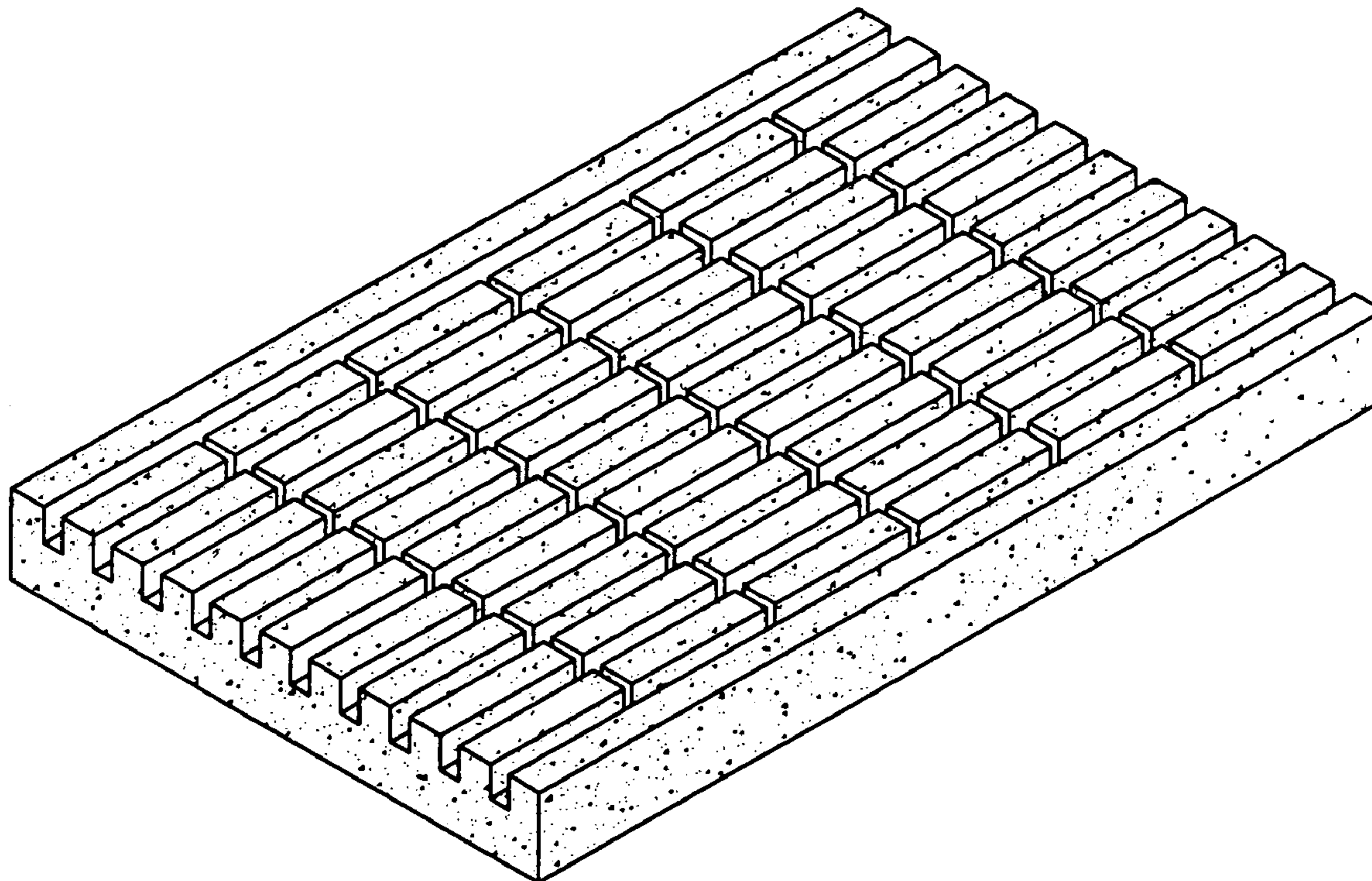
FIG. 2 is a rear elevation view thereof;

FIG. 3 is a left side view thereof;

FIG. 4 is a bottom view thereof; and,

FIG. 5 is a perspective view thereof.

1 Claim, 3 Drawing Sheets



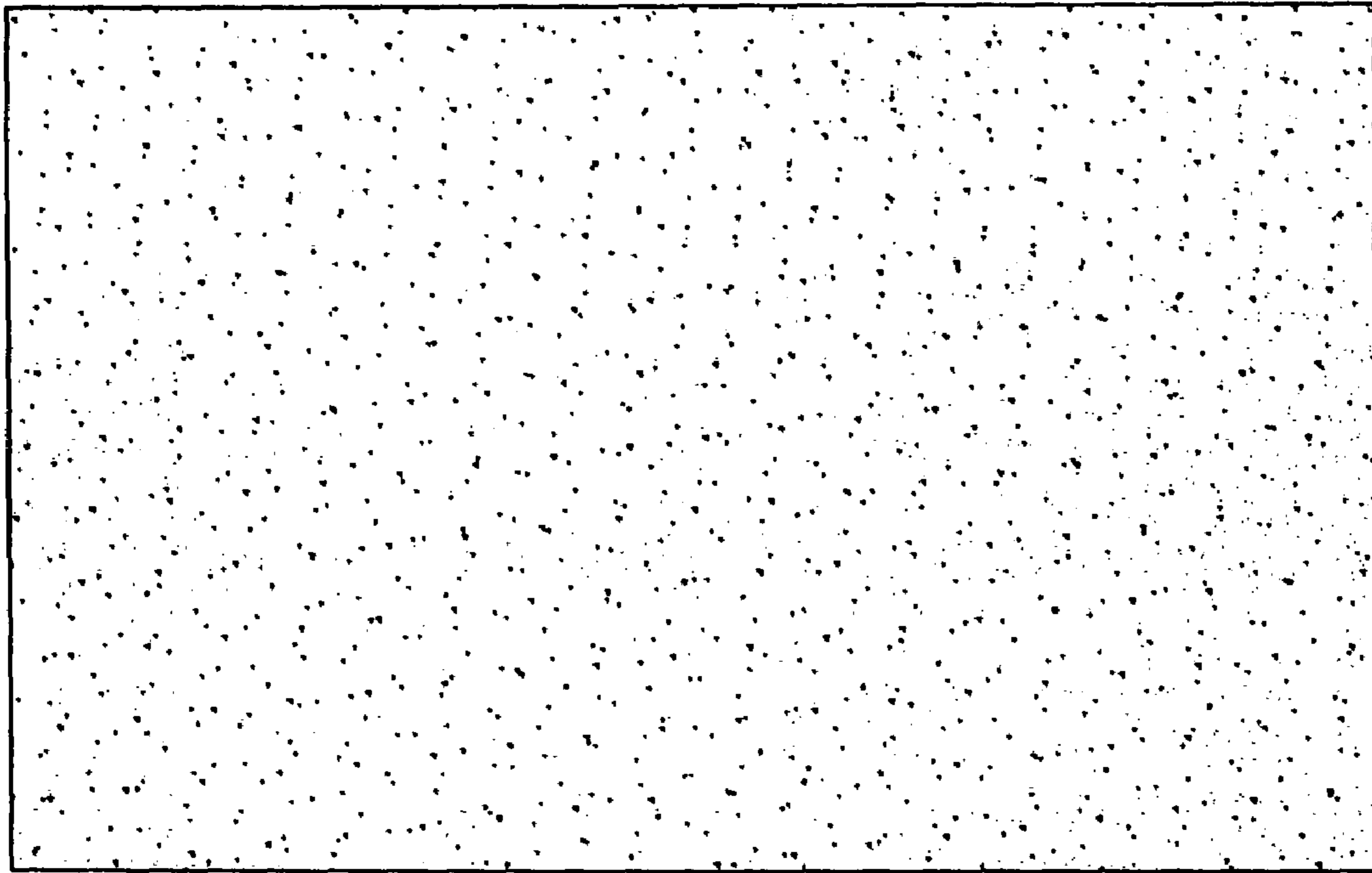


FIG. 2

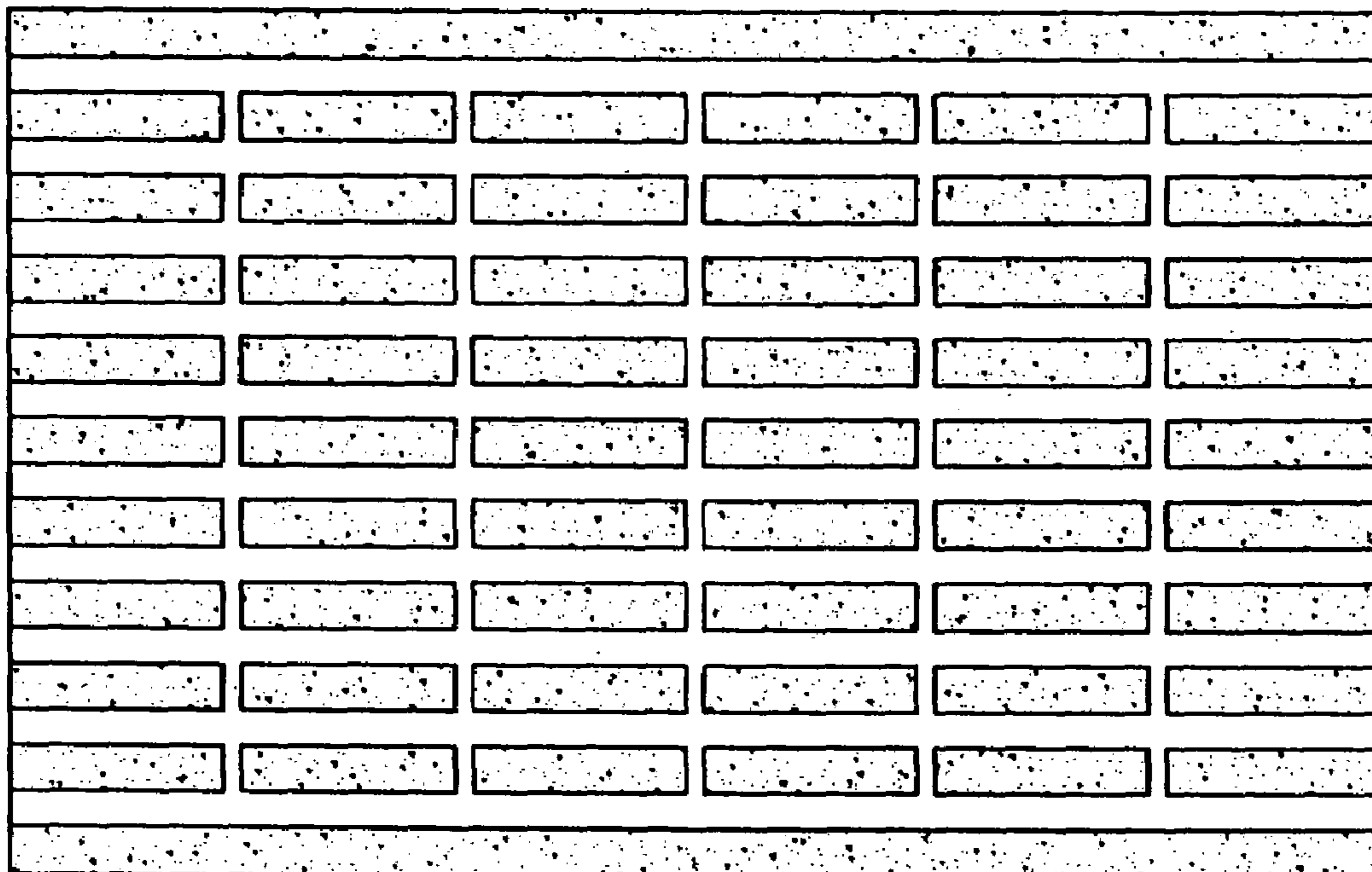


FIG. 1



FIG. 3



FIG. 4

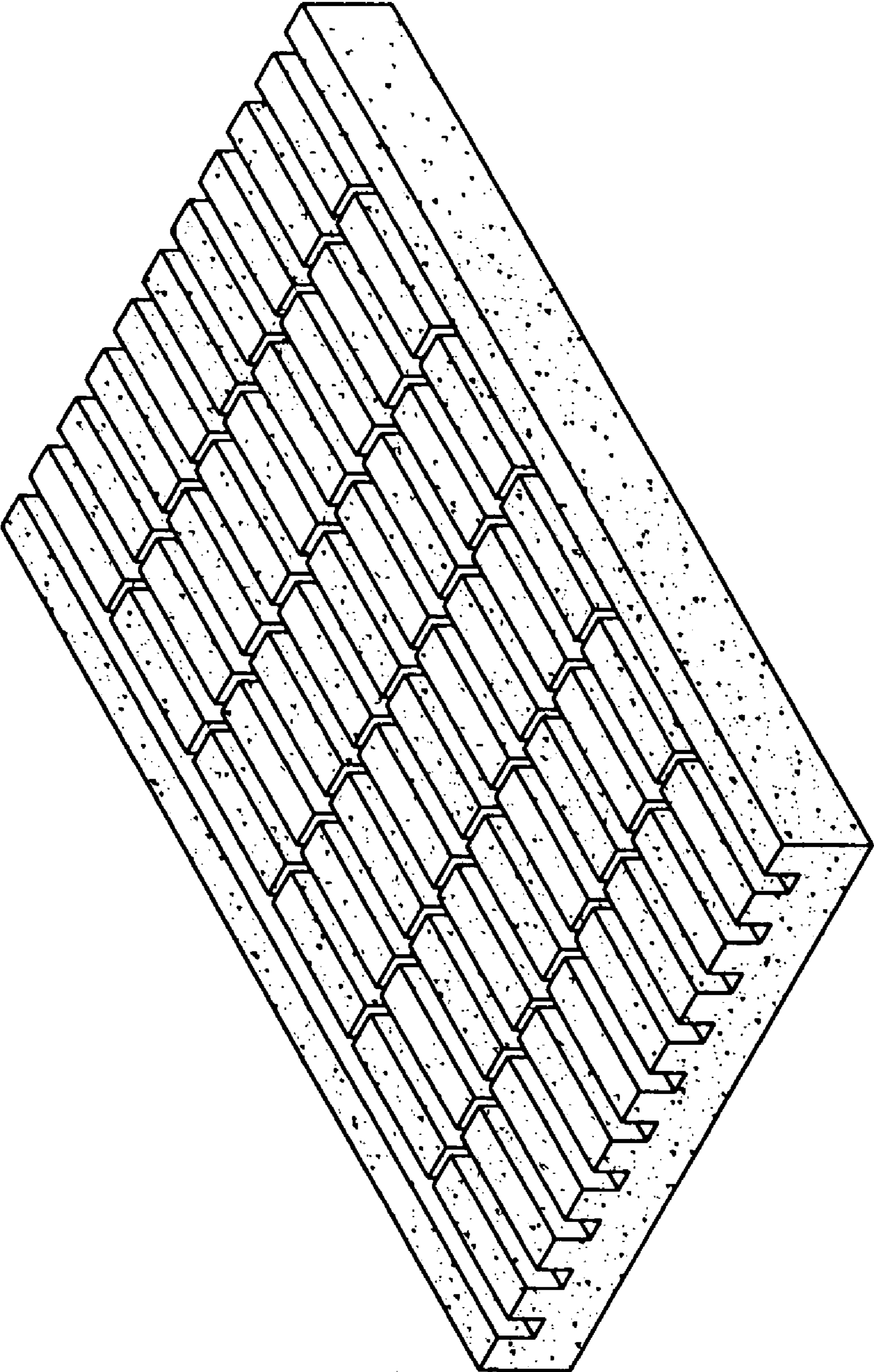


FIG. 5