



US00D579575S

(12) **United States Design Patent**
Lockwood

(10) **Patent No.:** **US D579,575 S**
(45) **Date of Patent:** **** Oct. 28, 2008**

(54) **COMPOSITE PLASTICS BRIDGE UNIT**

(75) Inventor: **William D. Lockwood**, Dayton, OH
(US)

(73) Assignee: **Lockwood Technologies Ltd.**, Dayton,
OH (US)

(**) Term: **14 Years**

(21) Appl. No.: **29/272,979**

(22) Filed: **Feb. 23, 2007**

(51) **LOC (8) Cl.** **25-01**

(52) **U.S. Cl.** **D25/113**

(58) **Field of Classification Search** D25/1,
D25/63, 69, 102, 112-118, 164, 199; 405/16,
405/284, 286; 52/102, 574, 596-612; 14/2.4,
14/73, 73.1

See application file for complete search history.

(56) **References Cited**

U.S. PATENT DOCUMENTS

- D356,163 S * 3/1995 Ryan D25/1
- D387,109 S * 12/1997 Winans D25/113
- D406,364 S * 3/1999 Robert et al. D25/199
- D406,902 S * 3/1999 Lockwood D25/1

- 6,557,201 B1 * 5/2003 Bowman et al. 14/2.4
- D511,387 S * 11/2005 Beach D25/1

* cited by examiner

Primary Examiner—Louis S Zarfaz

Assistant Examiner—Anhdao Doan

(74) *Attorney, Agent, or Firm*—Jacox, Meckstroth & Jenkins

(57) **CLAIM**

The ornamental design for a composite plastics bridge unit, as shown and described.

DESCRIPTION

FIG. 1 is a perspective view of a composite plastics bridge unit, showing my new design;

FIG. 2 is a side view thereof, the opposite side view being the same;

FIG. 3 is a top view thereof;

FIG. 4 is a bottom view thereof;

FIG. 5 is an end view thereof, the opposite end view being the same; and,

FIG. 6 is an enlarged fragmentary section, taken on the line 6—6 of FIG. 1. A middle portion is broken away in FIGS. 1-4 to disclose indefinite length.

1 Claim, 2 Drawing Sheets

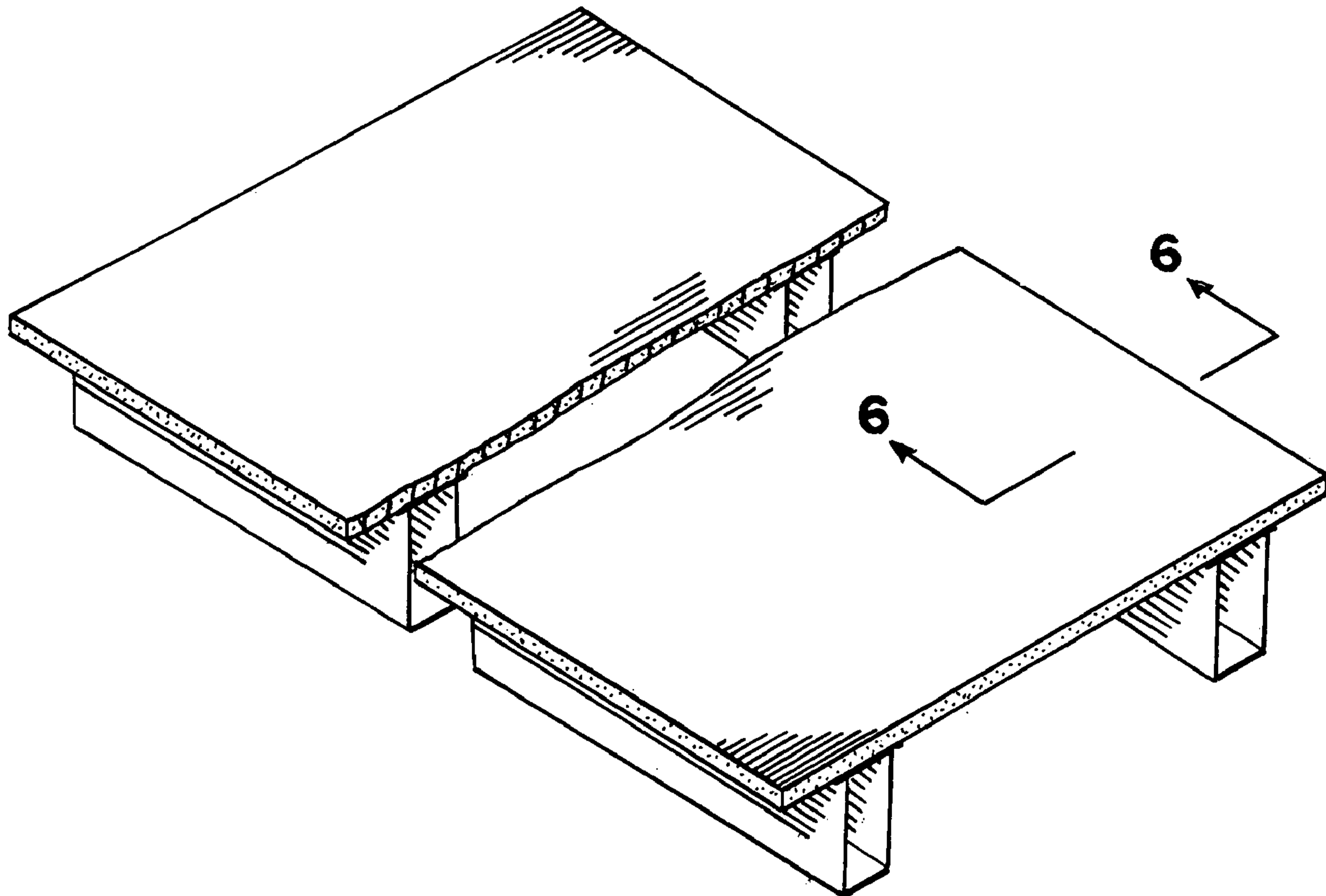


FIG-1

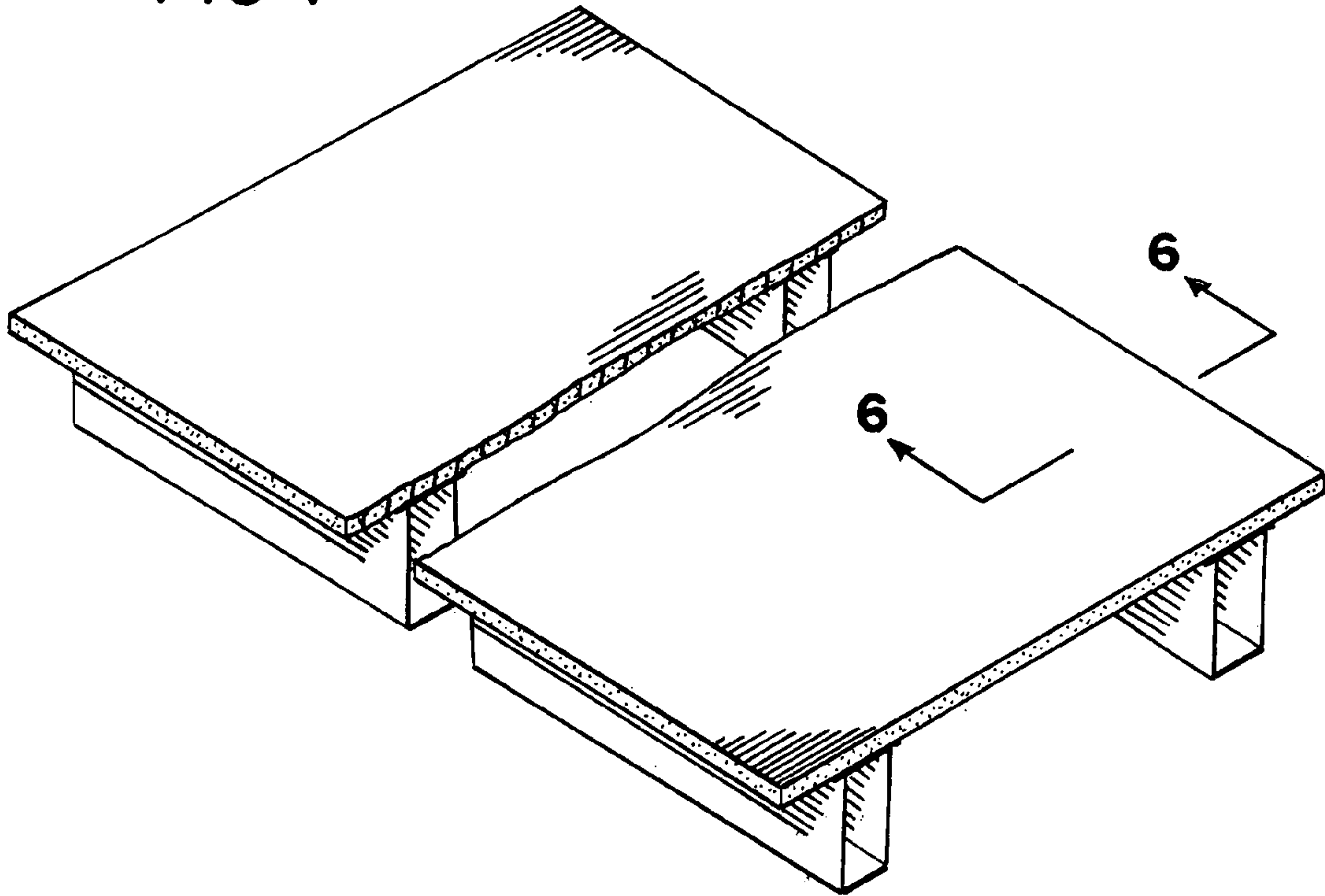


FIG-2

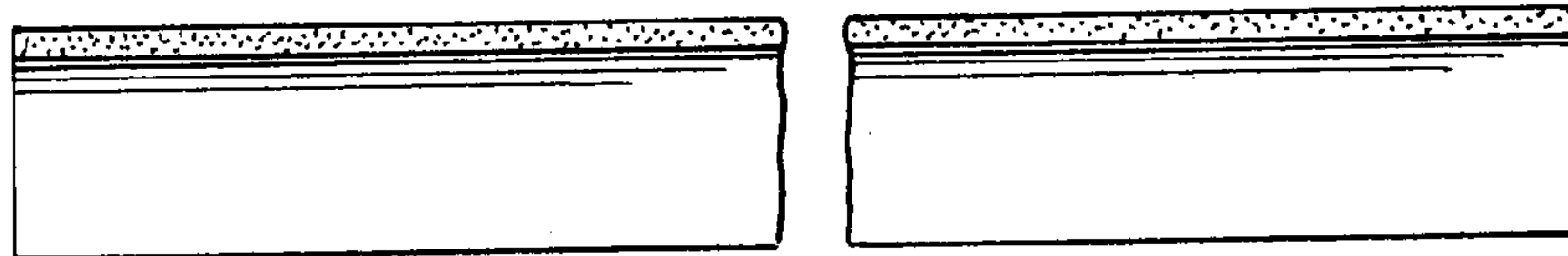


FIG-3

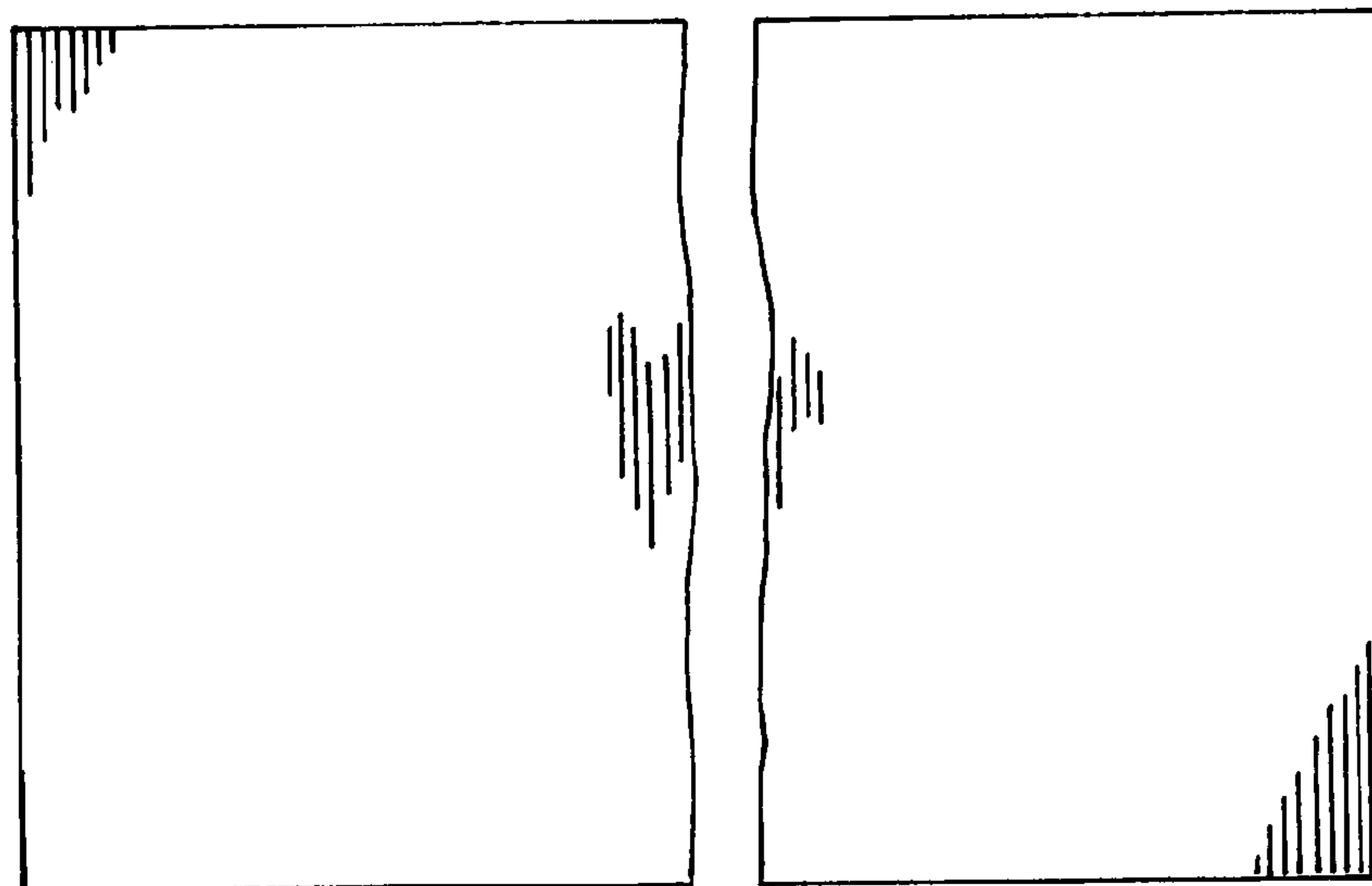


FIG-4

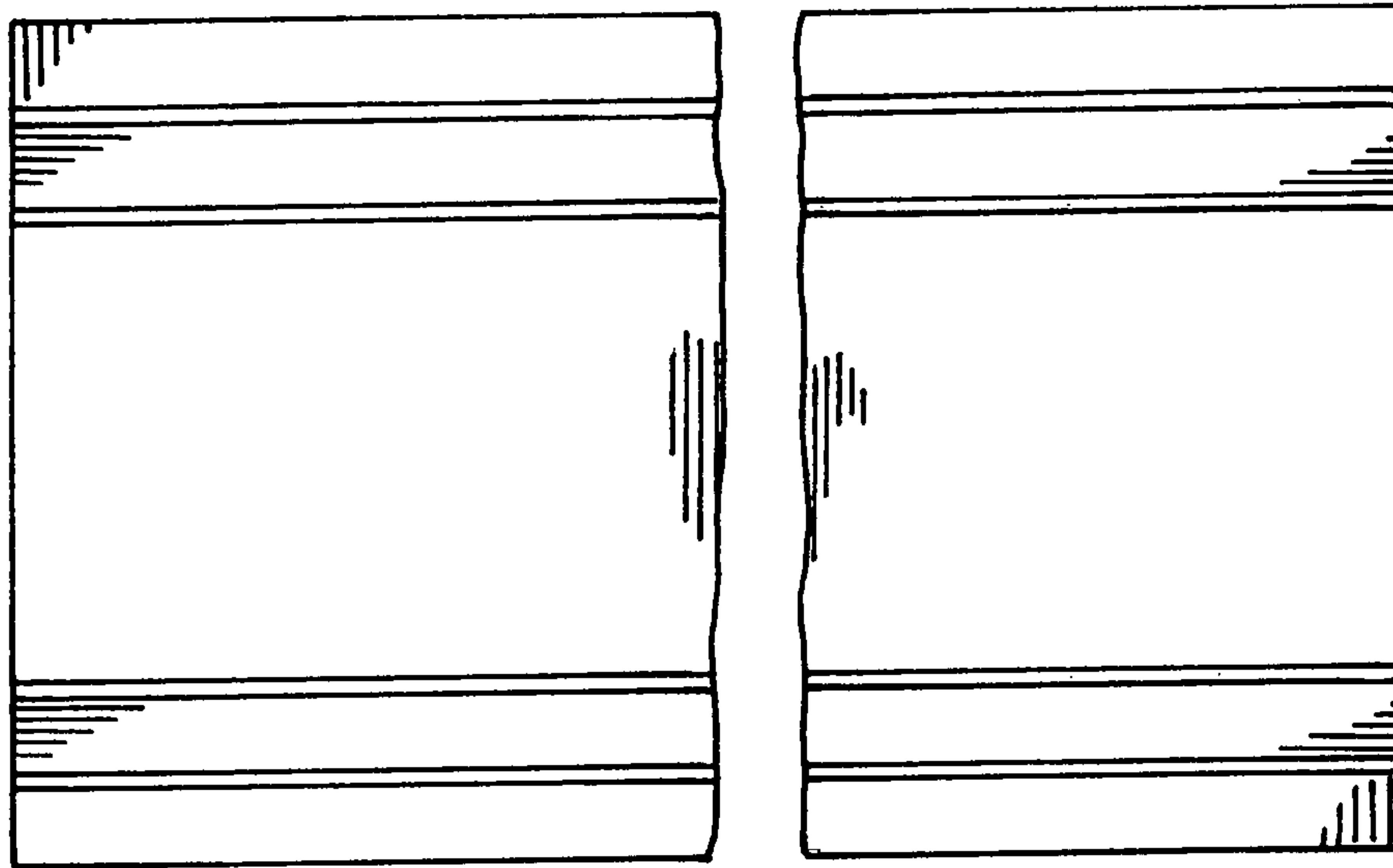


FIG-5

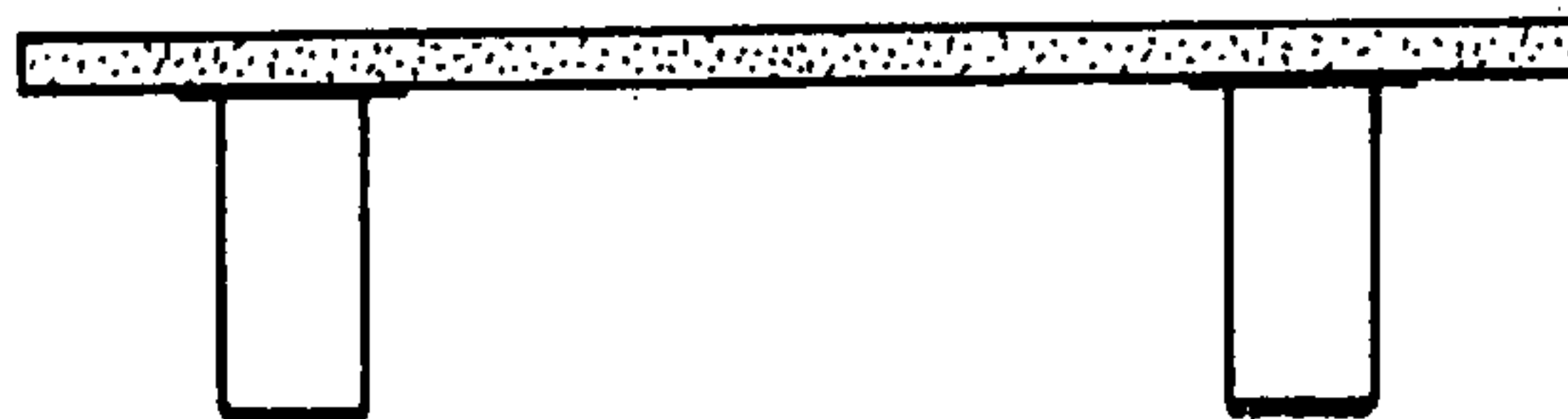


FIG-6

