



US00D579564S

(12) **United States Design Patent**
Sarna

(10) **Patent No.:** **US D579,564 S**

(45) **Date of Patent:** **** Oct. 28, 2008**

(54) **LANCET**

(75) Inventor: **Wojciech Sarna**, Warsaw (PL)

(73) Assignee: **“HTL-STREFA” Spolka Akcyjna**,
Ozorkow (PL)

(**) Term: **14 Years**

(21) Appl. No.: **29/280,869**

(22) Filed: **Jun. 8, 2007**

(30) **Foreign Application Priority Data**

May 10, 2007 (EM) 000720479

(51) **LOC (8) Cl.** **24-02**

(52) **U.S. Cl.** **D24/146**

(58) **Field of Classification Search** D24/146,
D24/147, 130, 144; 606/181, 182, 183, 184,
606/167

See application file for complete search history.

(56) **References Cited**

U.S. PATENT DOCUMENTS

D323,556 S * 1/1992 Miyaguchi D24/147

D376,649 S * 12/1996 Kim D24/147

D538,934 S * 3/2007 Wilkinson D24/146

* cited by examiner

Primary Examiner—Ian Simmons

Assistant Examiner—Christopher Lee

(74) *Attorney, Agent, or Firm*—Michael Bednarek; Paul,
Hastings, Janofsky & Walker LLP

(57) **CLAIM**

I claim the ornamental design for a lancet, as shown and described.

DESCRIPTION

FIG. 1 is a front perspective view of the lancet;

FIG. 2 is a front perspective view thereof, the lancet rotated 90 degrees about its longitudinal axis with respect to the position shown in FIG. 1;

FIG. 3 is a side elevational view thereof;

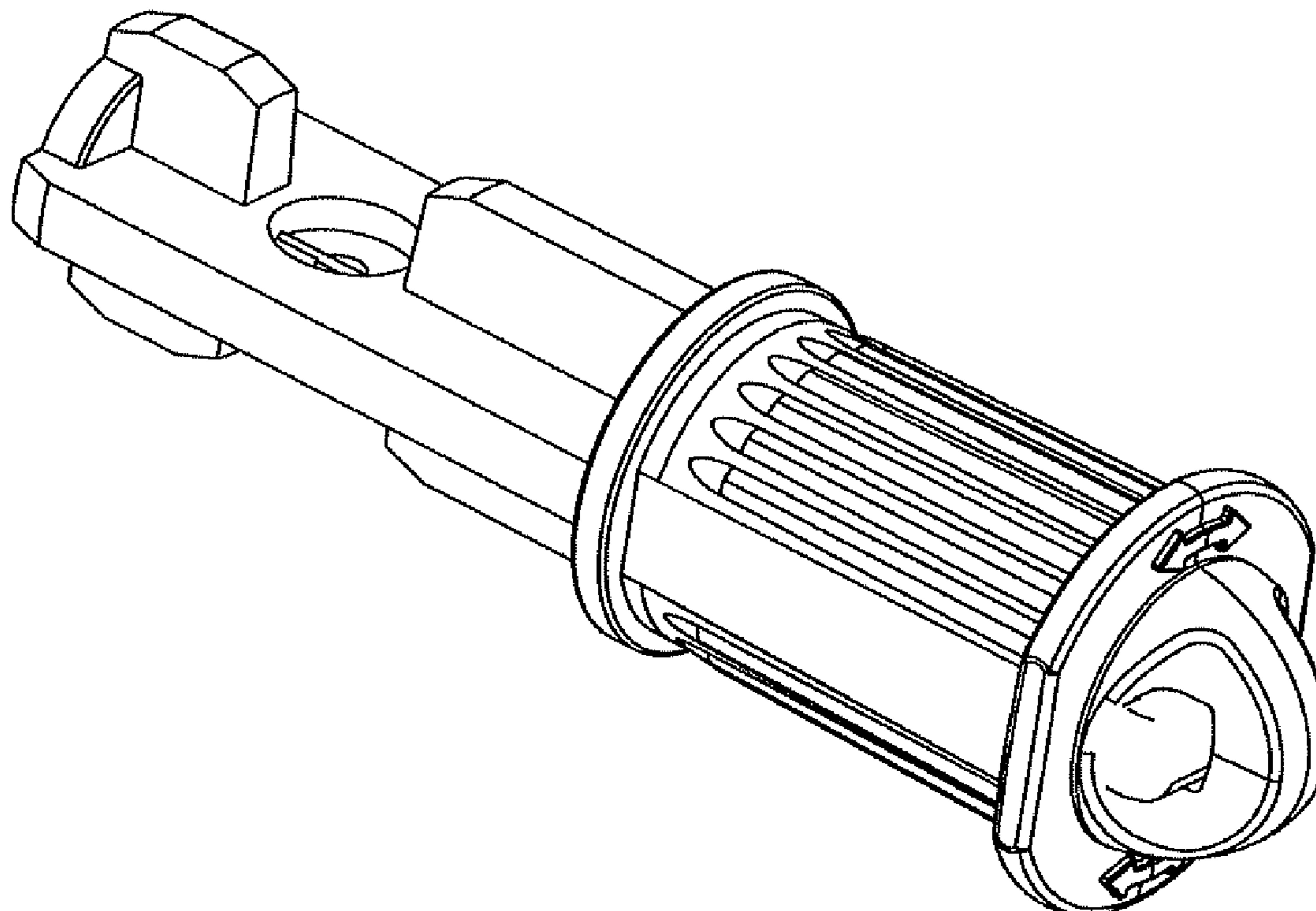
FIG. 4 is a front side elevational view thereof;

FIG. 5 is a rear side elevational view thereof;

FIG. 6 is another side elevational view thereof, the lancet rotated 90 degrees about its longitudinal axis with respect to the position shown in FIG. 3; and,

FIG. 7 is a rear perspective view thereof.

1 Claim, 7 Drawing Sheets



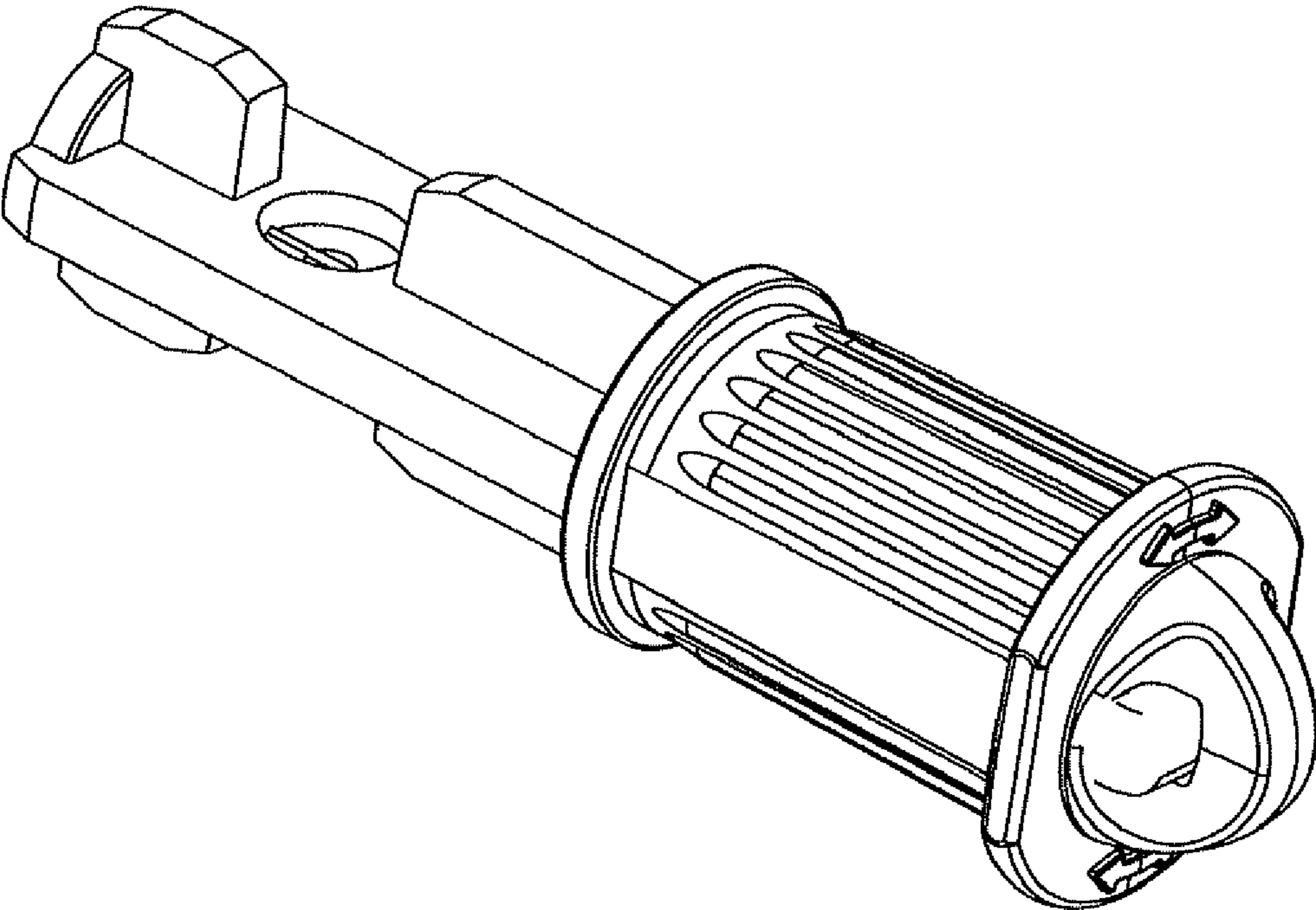


Fig. 1

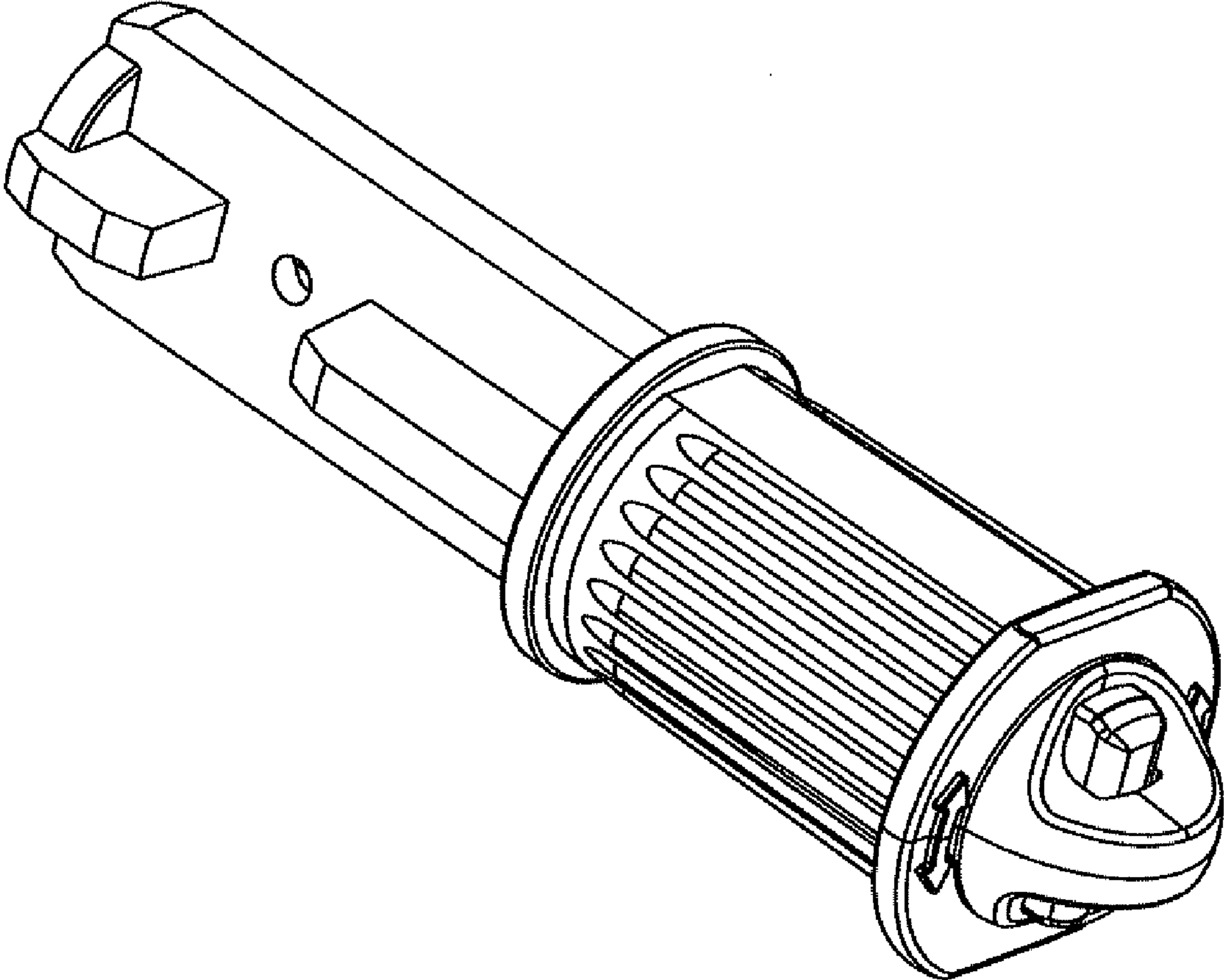


Fig. 2

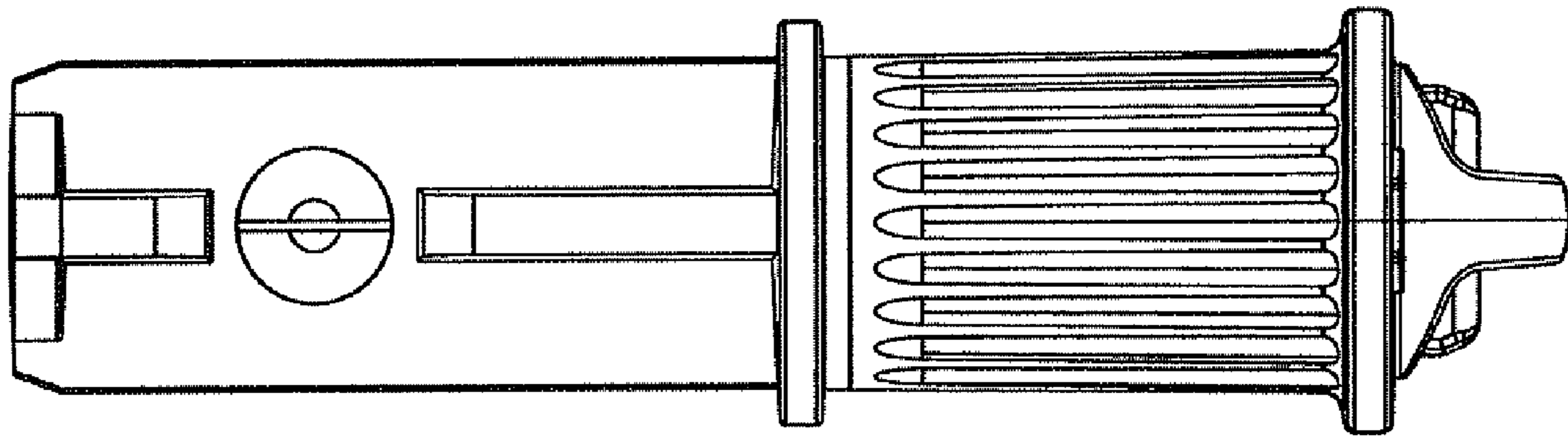


Fig. 3

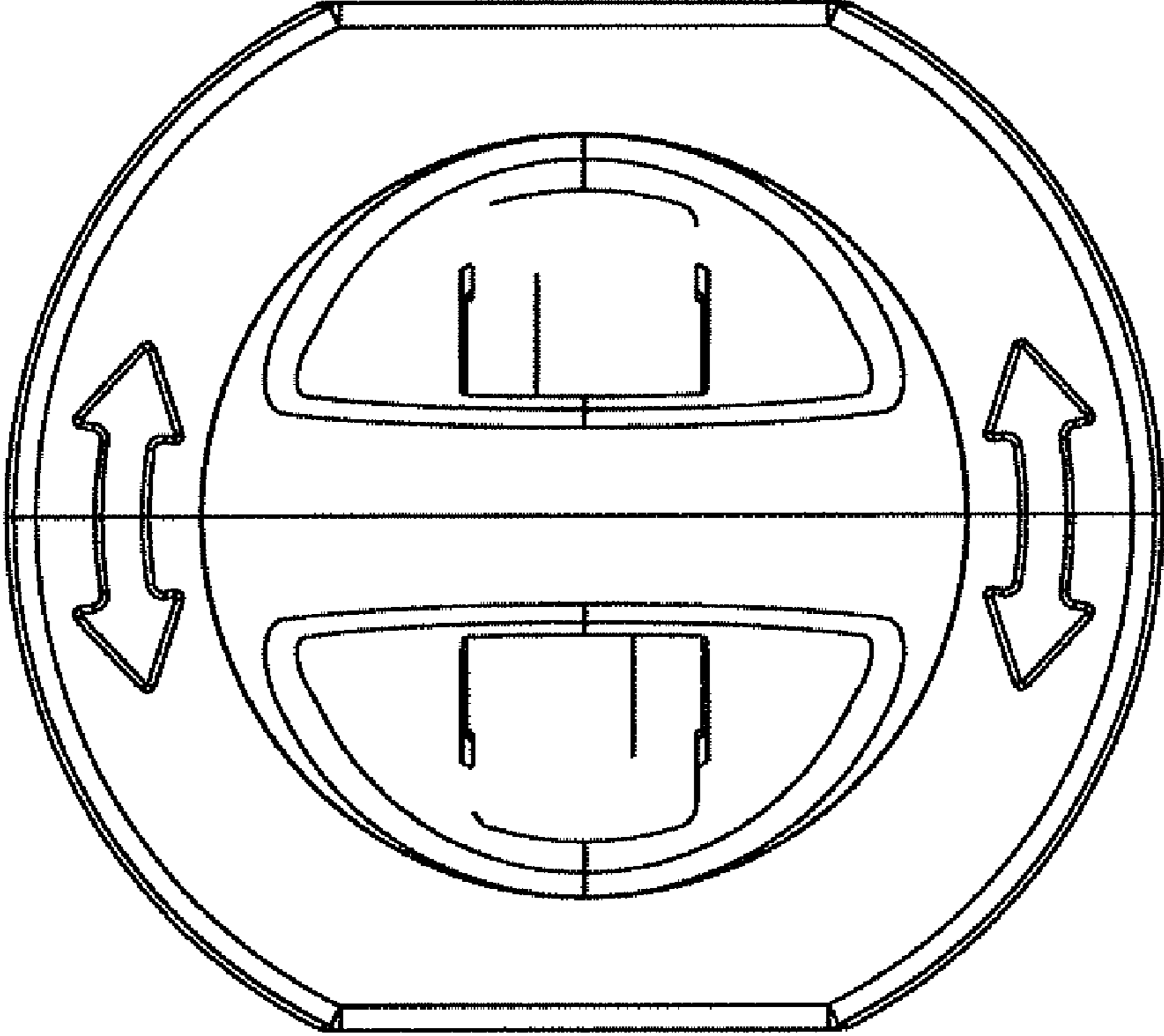


Fig. 4

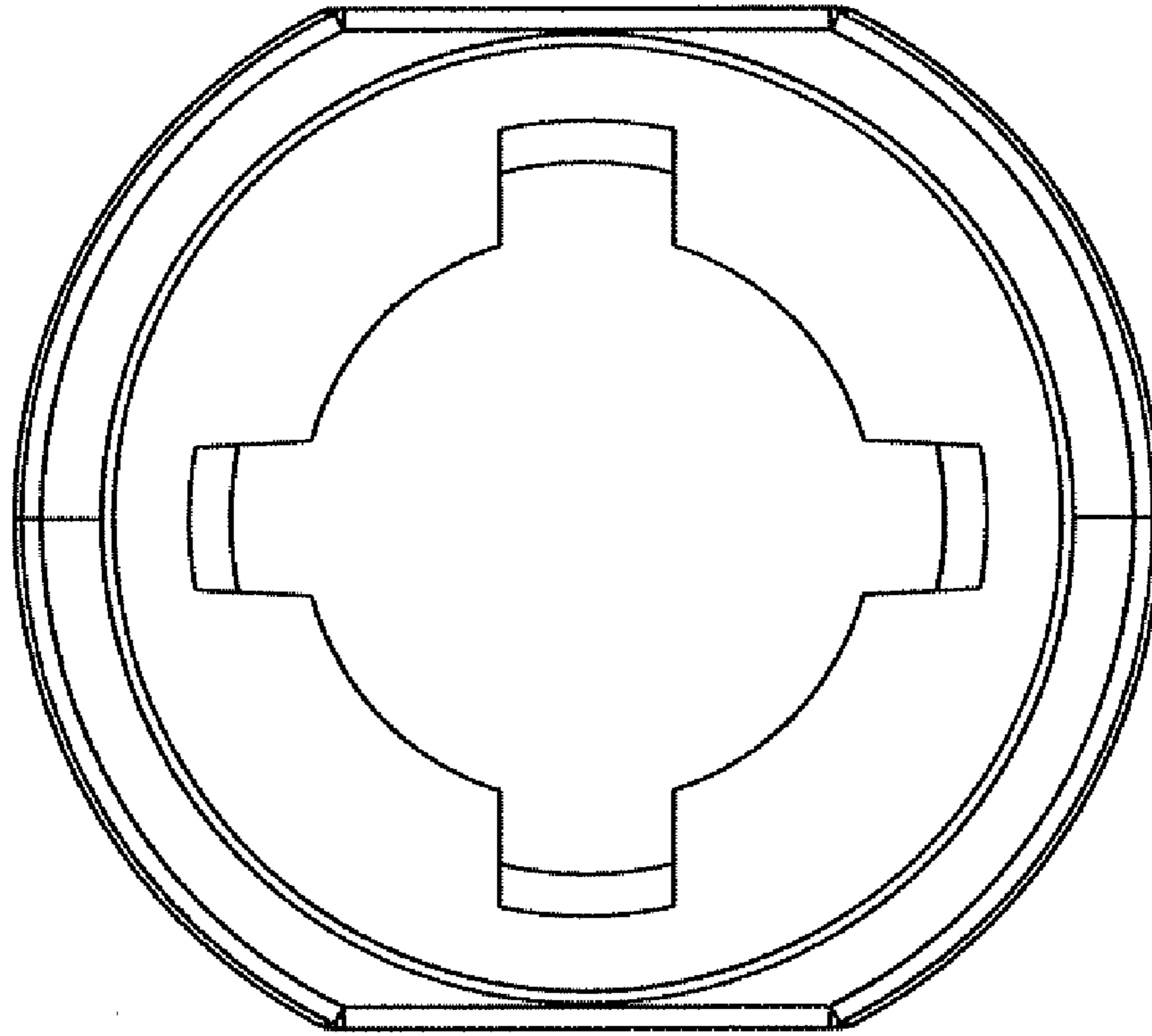


Fig. 5

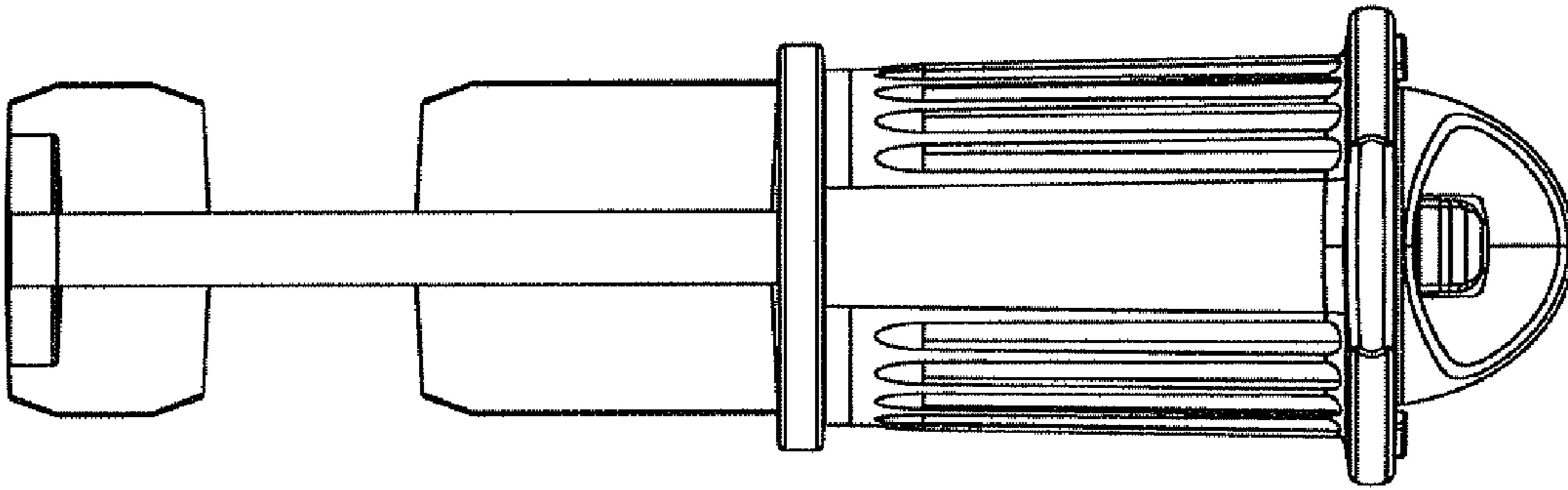


Fig. 6

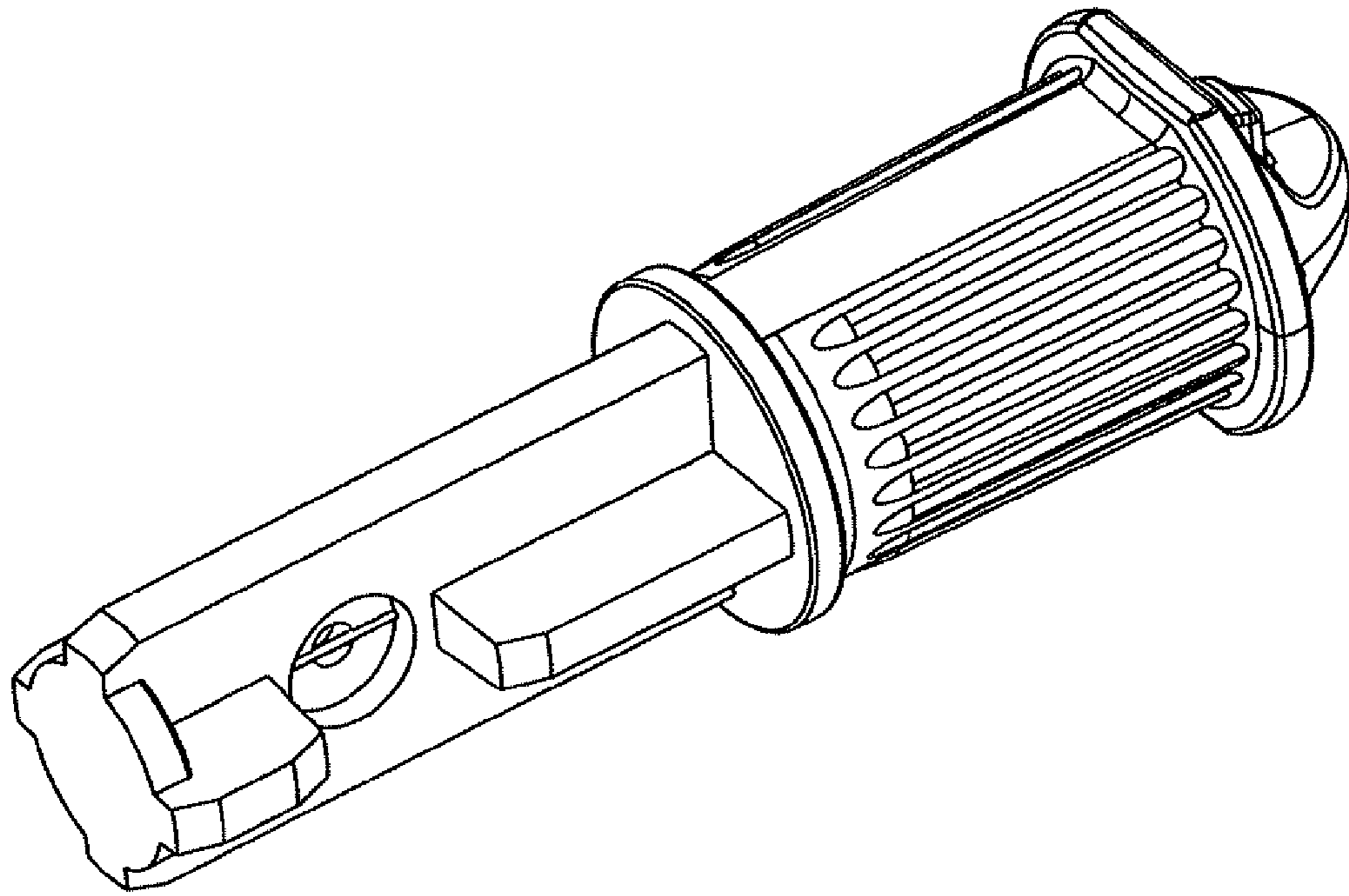


Fig. 7