

US00D579563S

(12) **United States Design Patent**
Hensler et al.

(10) **Patent No.:** **US D579,563 S**
(45) **Date of Patent:** **** Oct. 28, 2008**

(54) **ENDOSCOPE COMPRISING A STROBOSCOPE**

(75) Inventors: **Fritz Hensler**, Neuhausen (DE);
Clemens Rebholz,
Uhldingen-Muehlhofen (DE)

(73) Assignee: **Karl Storz GmbH & Co. KG** (DE)

(**) Term: **14 Years**

(21) Appl. No.: **29/278,811**

(22) Filed: **Apr. 10, 2007**

(30) **Foreign Application Priority Data**

Oct. 11, 2006 (EM) 000602586

(51) **LOC (8) Cl.** **24-02**

(52) **U.S. Cl.** **D24/138**

(58) **Field of Classification Search** D24/137,
D24/138, 135, 172, 150; D26/28-36, 24,
D26/37; 600/178, 132, 140, 182, 109, 103,
600/126, 101, 179, 180, 200, 203; 606/106;
396/17, 263

See application file for complete search history.

(56) **References Cited**

U.S. PATENT DOCUMENTS

3,269,387 A 8/1966 Wallace 128/6
D270,481 S * 9/1983 Whitright D26/24
5,702,345 A * 12/1997 Wood et al. 600/109
D492,805 S * 7/2004 Woolfson D26/37

7,041,054 B2 * 5/2006 Klootz 600/178
2002/0028986 A1 * 3/2002 Thompson 600/178
2005/0240080 A1 10/2005 Diekmann et al. 600/182
2007/0208225 A1 * 9/2007 Czaniera 600/178

FOREIGN PATENT DOCUMENTS

DE 199 55 180 12/2000
DE 10 2004 008 458 9/2005
DE 10 2004 052 847 5/2006

* cited by examiner

Primary Examiner—Ian Simmons

Assistant Examiner—Christopher Lee

(74) *Attorney, Agent, or Firm*—St. Onge Steward Johnston & Reens LLC

(57) **CLAIM**

The ornamental design for an endoscope comprising a stroboscope, as shown and described.

DESCRIPTION

FIG. 1 is a front view of a endoscope comprising a stroboscope in accordance with the new design;

FIG. 2 is a left side view thereof;

FIG. 3 is a right side view thereof;

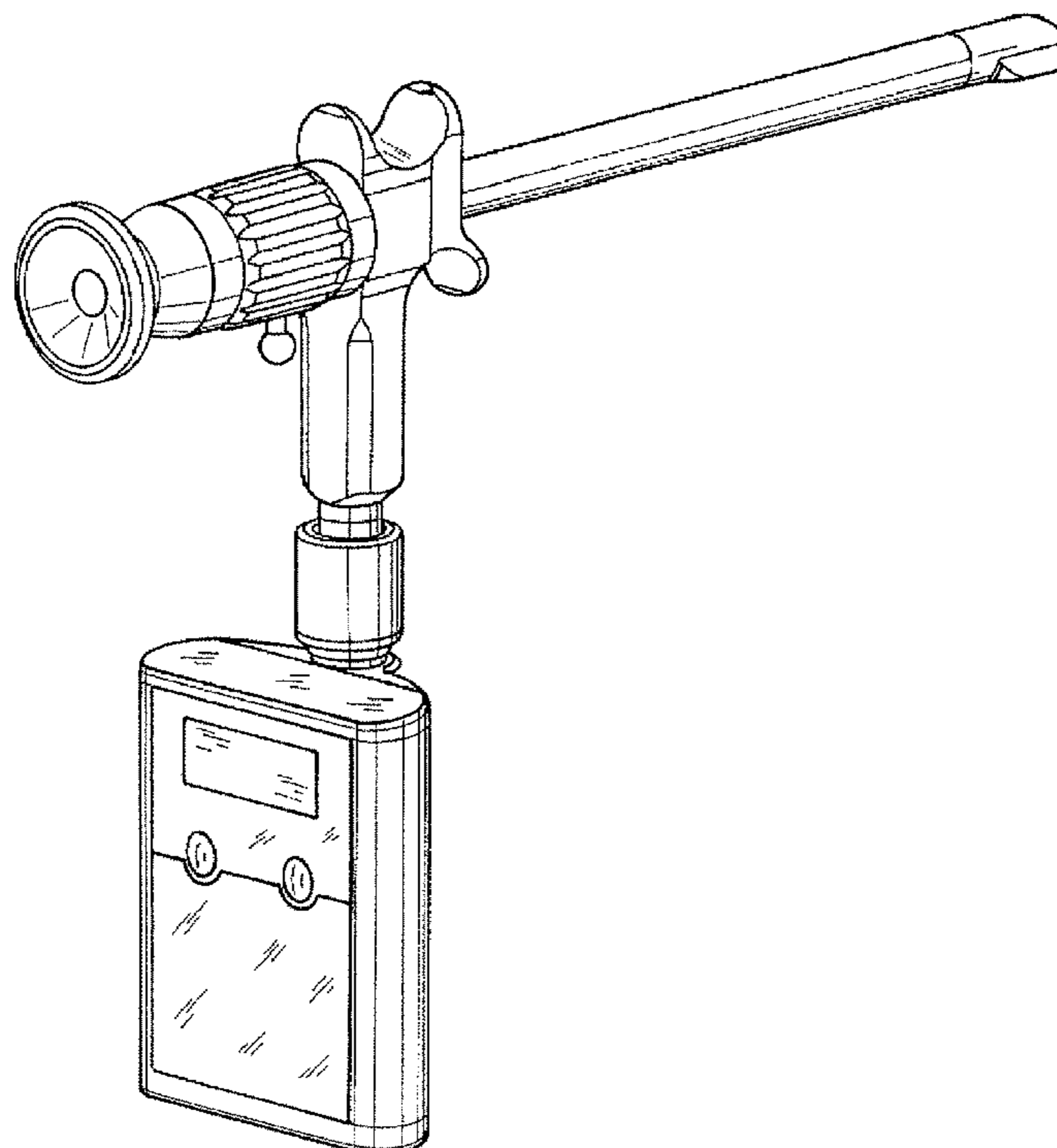
FIG. 4 is a rear view thereof;

FIG. 5 is a top view thereof;

FIG. 6 is a bottom view thereof; and,

FIG. 7 is a top perspective view thereof.

1 Claim, 7 Drawing Sheets



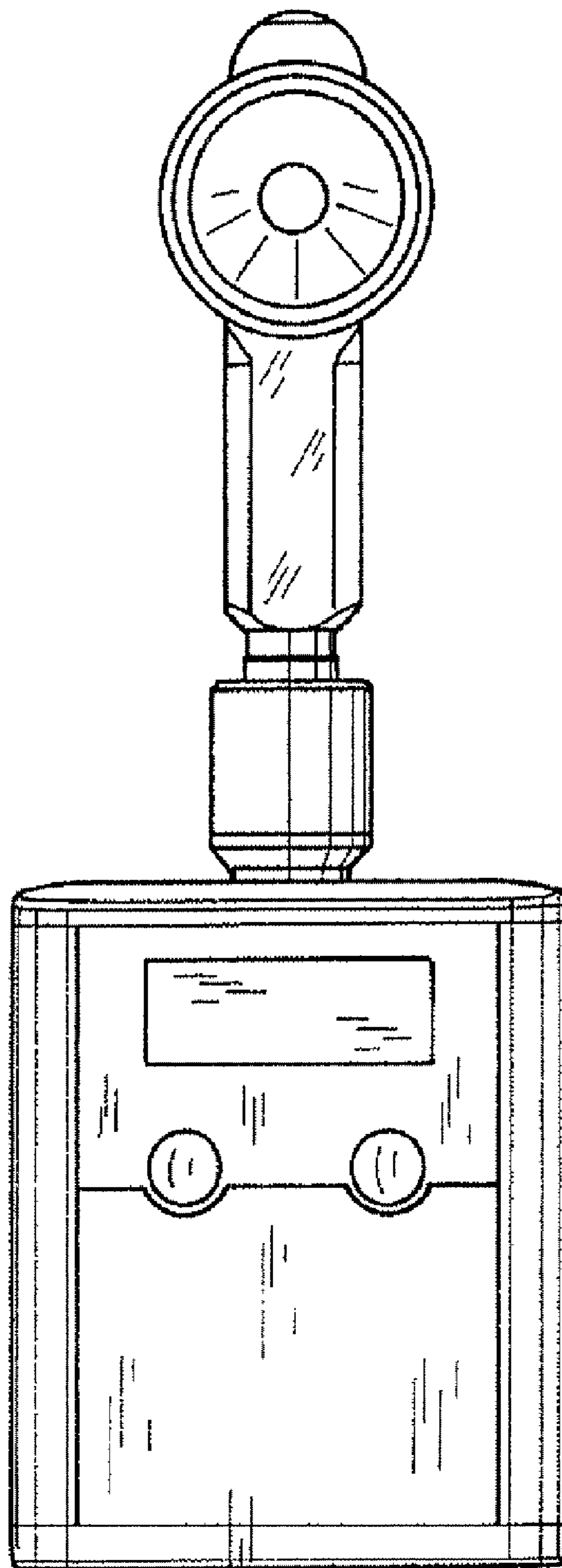


FIG. 1

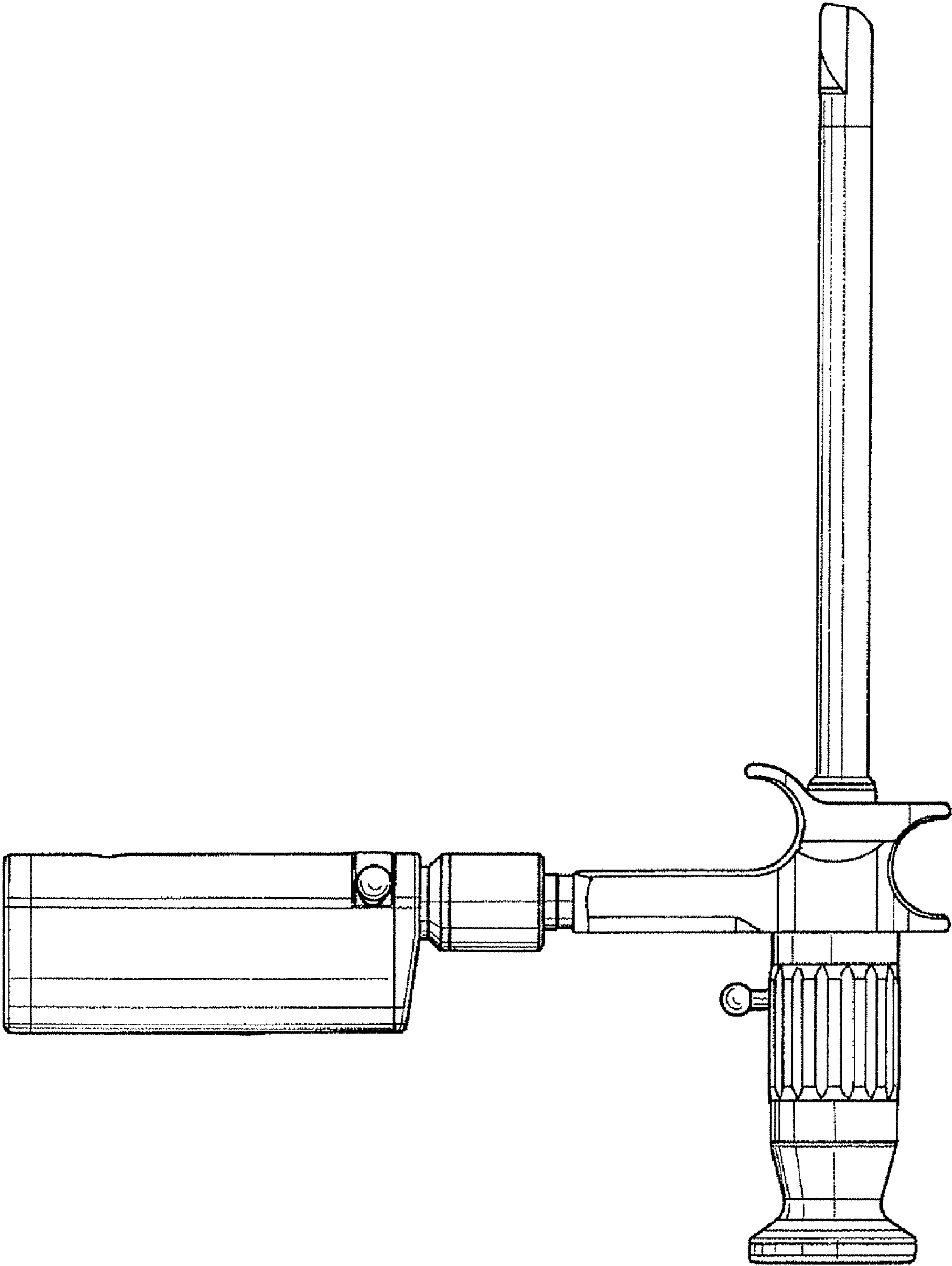


FIG. 2

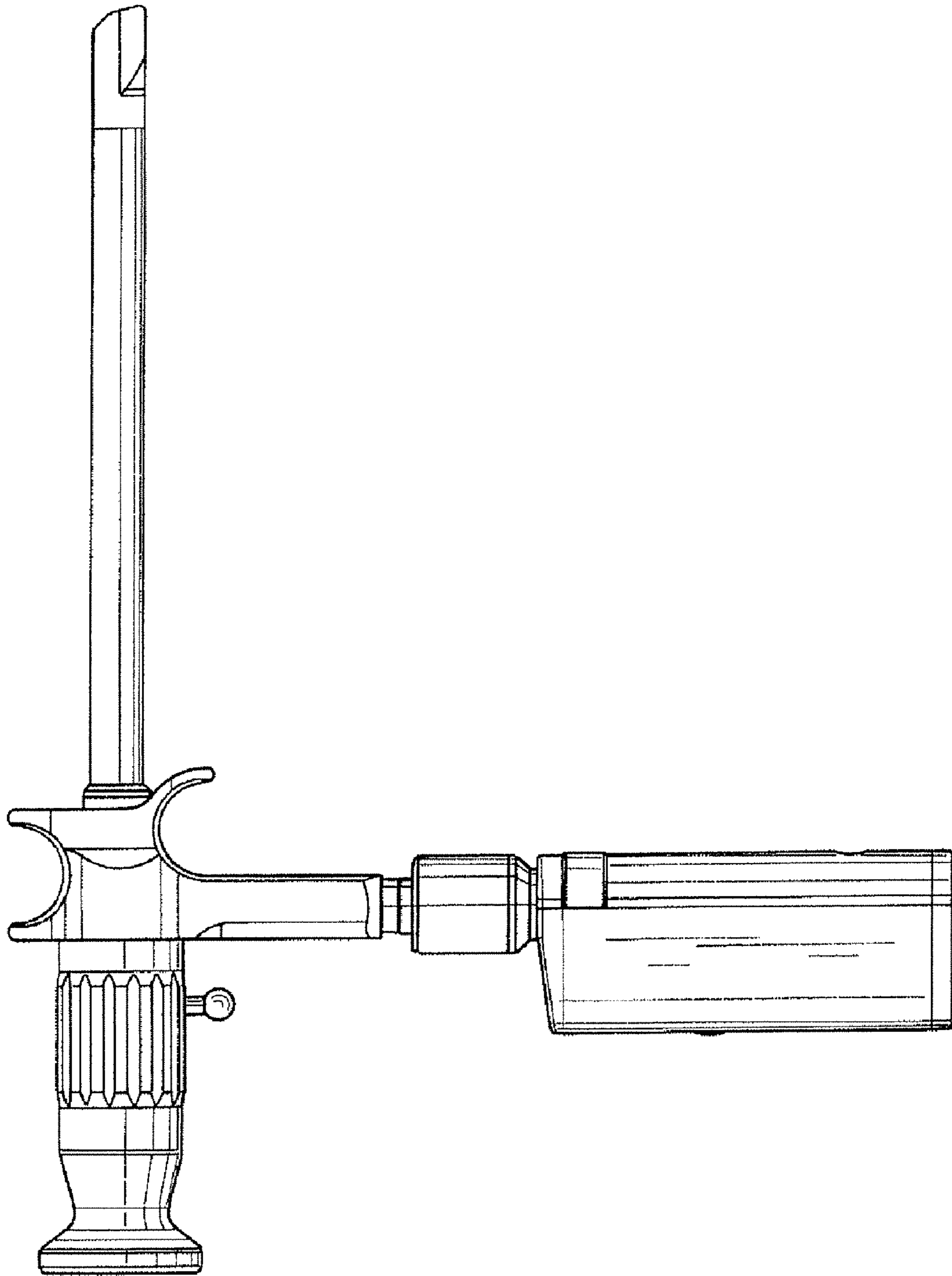


FIG. 3

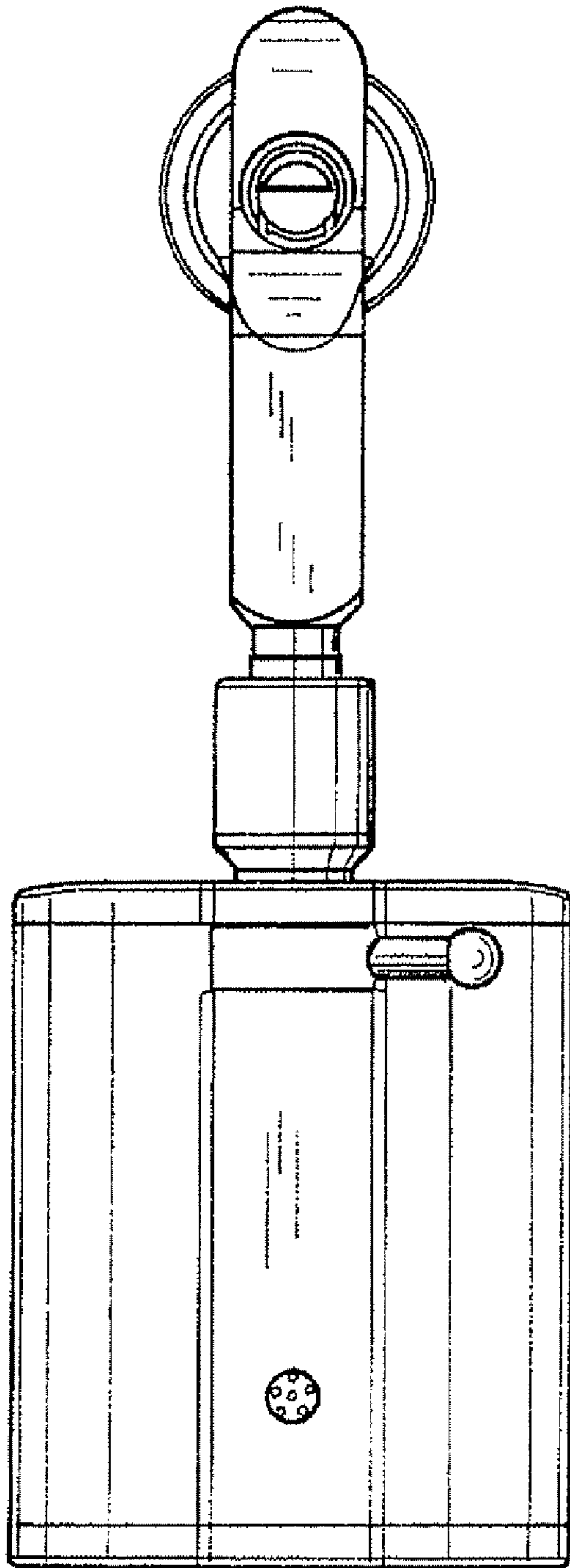


FIG. 4

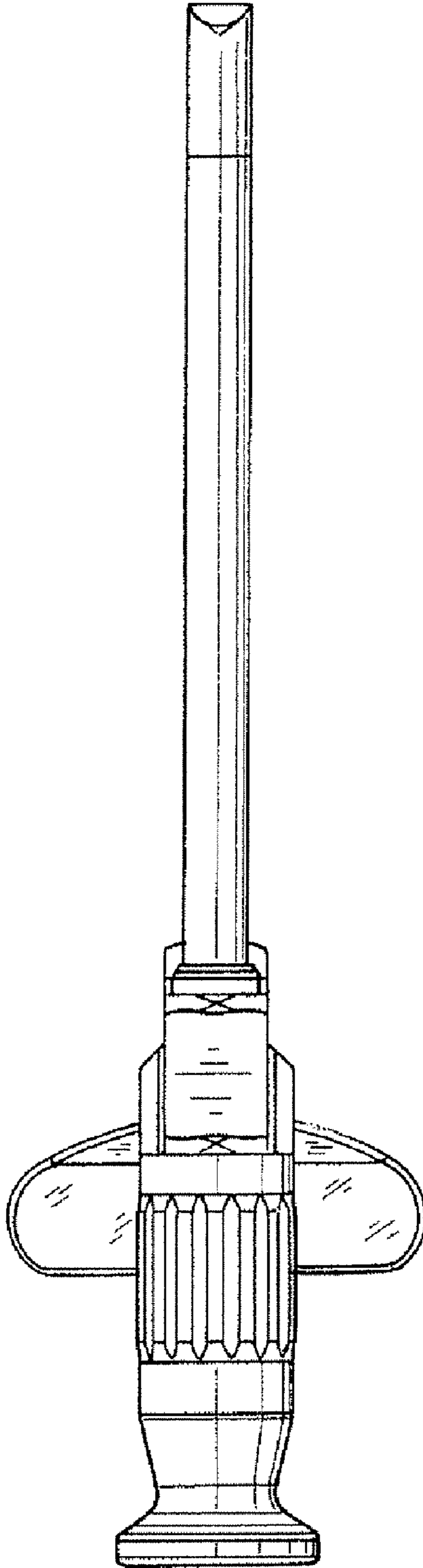


FIG. 5

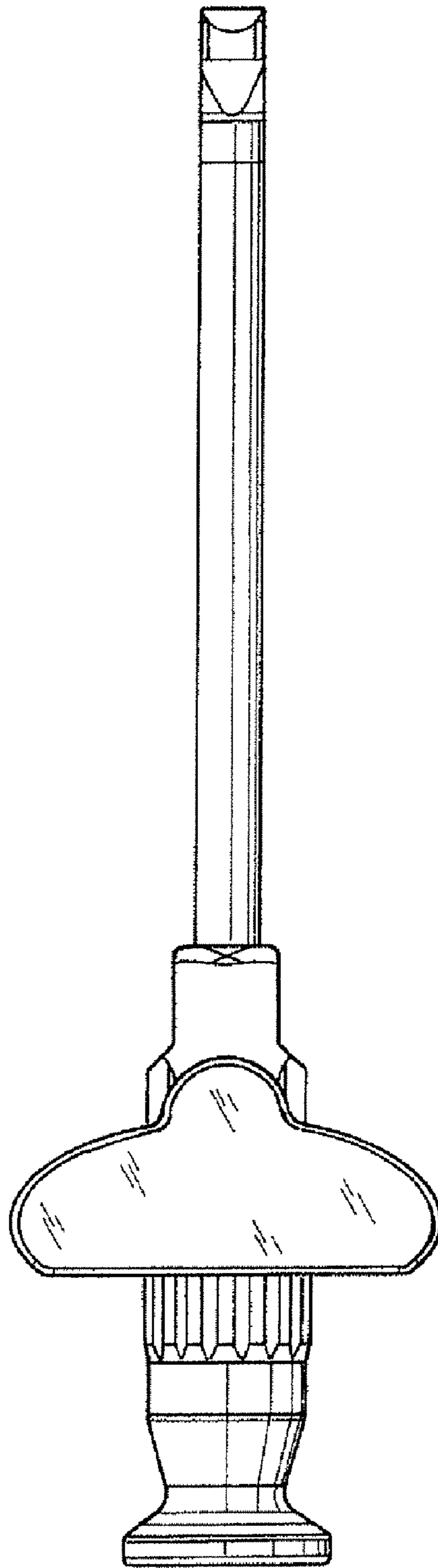


FIG. 6

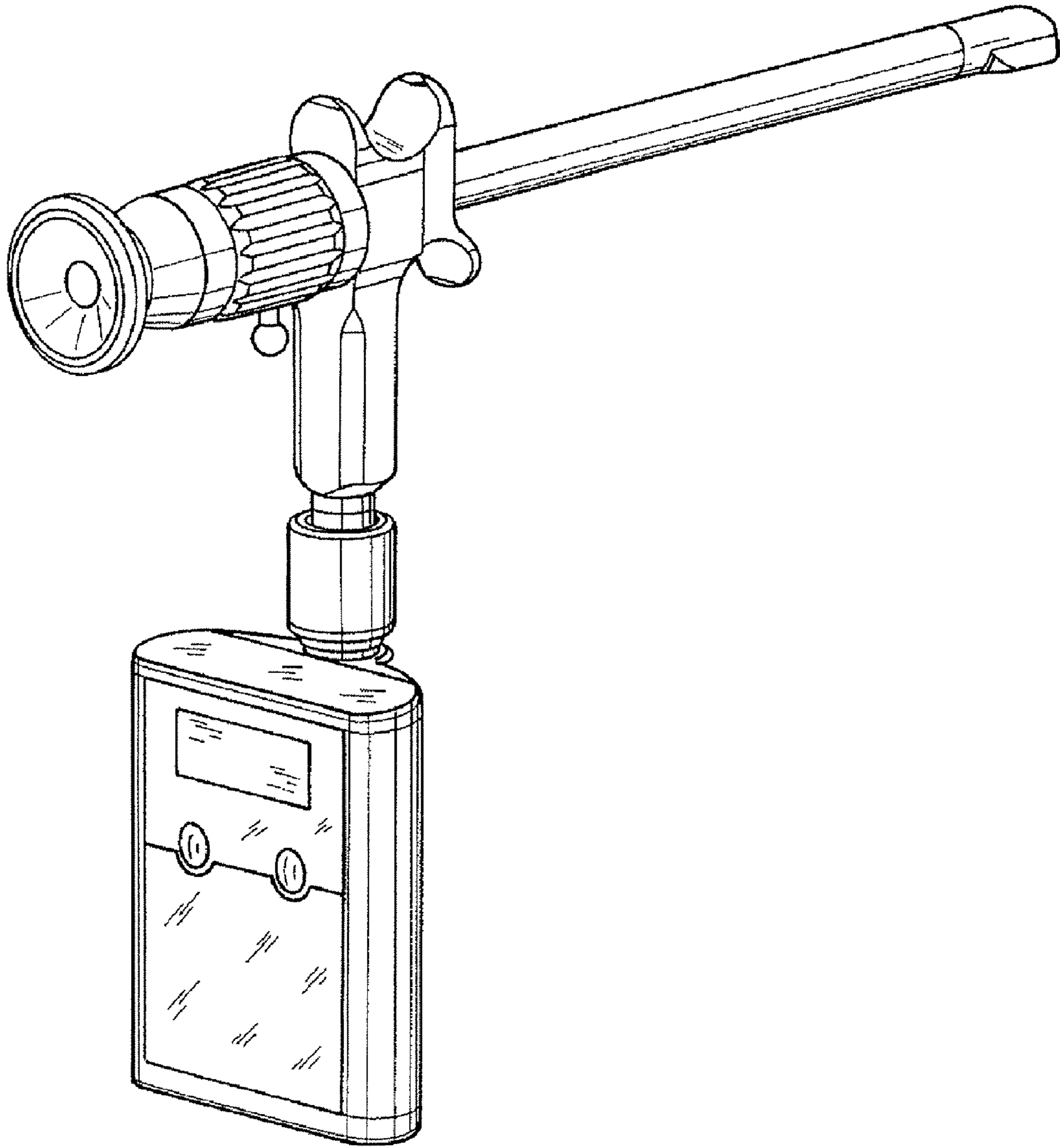


FIG. 7