



US00D579562S

(12) **United States Design Patent**
Anderson et al.

(10) **Patent No.:** **US D579,562 S**
(45) **Date of Patent:** **** Oct. 28, 2008**

(54) **COMPONENT OF A HANDLE PORTION OF A CATHETER**

D351,652 S * 10/1994 Thompson et al. D24/138
5,810,790 A * 9/1998 Ebling et al. 604/523
D405,881 S * 2/1999 Snoke et al. D24/112

(75) Inventors: **Neil L. Anderson**, Roseville (AU); **Evan K. Chong**, South Strathfield (AU); **Paul Turner**, Eveleigh (AU)

* cited by examiner

Primary Examiner—Ian Simmons
Assistant Examiner—Christopher Lee

(73) Assignee: **CathRx Ltd**, Eveleigh (AU)

(74) *Attorney, Agent, or Firm*—Morrison & Foerster LLP

(**) Term: **14 Years**

(57) **CLAIM**

(21) Appl. No.: **29/264,206**

The ornamental design for a component of a handle portion of a catheter, as shown and as described.

(22) Filed: **Aug. 4, 2006**

DESCRIPTION

(51) **LOC (8) Cl.** **24-02**

FIG. 1 is a front view of a component of a handle portion of a catheter;

(52) **U.S. Cl.** **D24/133**

(58) **Field of Classification Search** D24/133,
D24/112, 138, 144, 108, 222, 114, 130; 604/95.04,
604/528; 600/374, 381, 463, 466

FIG. 2 is a side view of the component of a handle portion of a catheter;;

See application file for complete search history.

FIG. 3 is a perspective view, from a first side, of the catheter handle component;

(56) **References Cited**

FIG. 4 is a perspective view, from an opposite side, of the catheter handle component.

U.S. PATENT DOCUMENTS

D345,419 S * 3/1994 Horrigan et al. D24/130

1 Claim, 2 Drawing Sheets

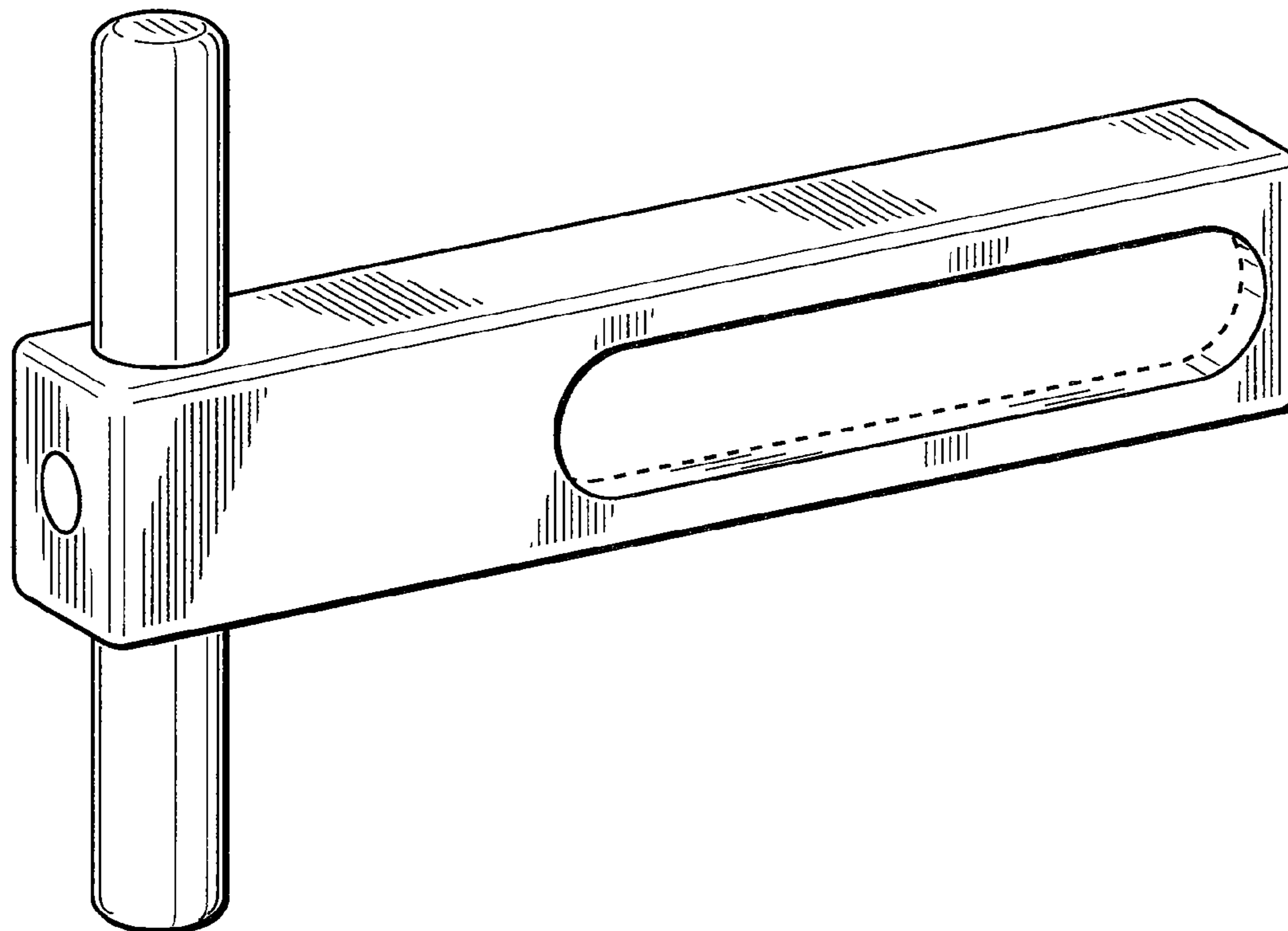


FIG. 1

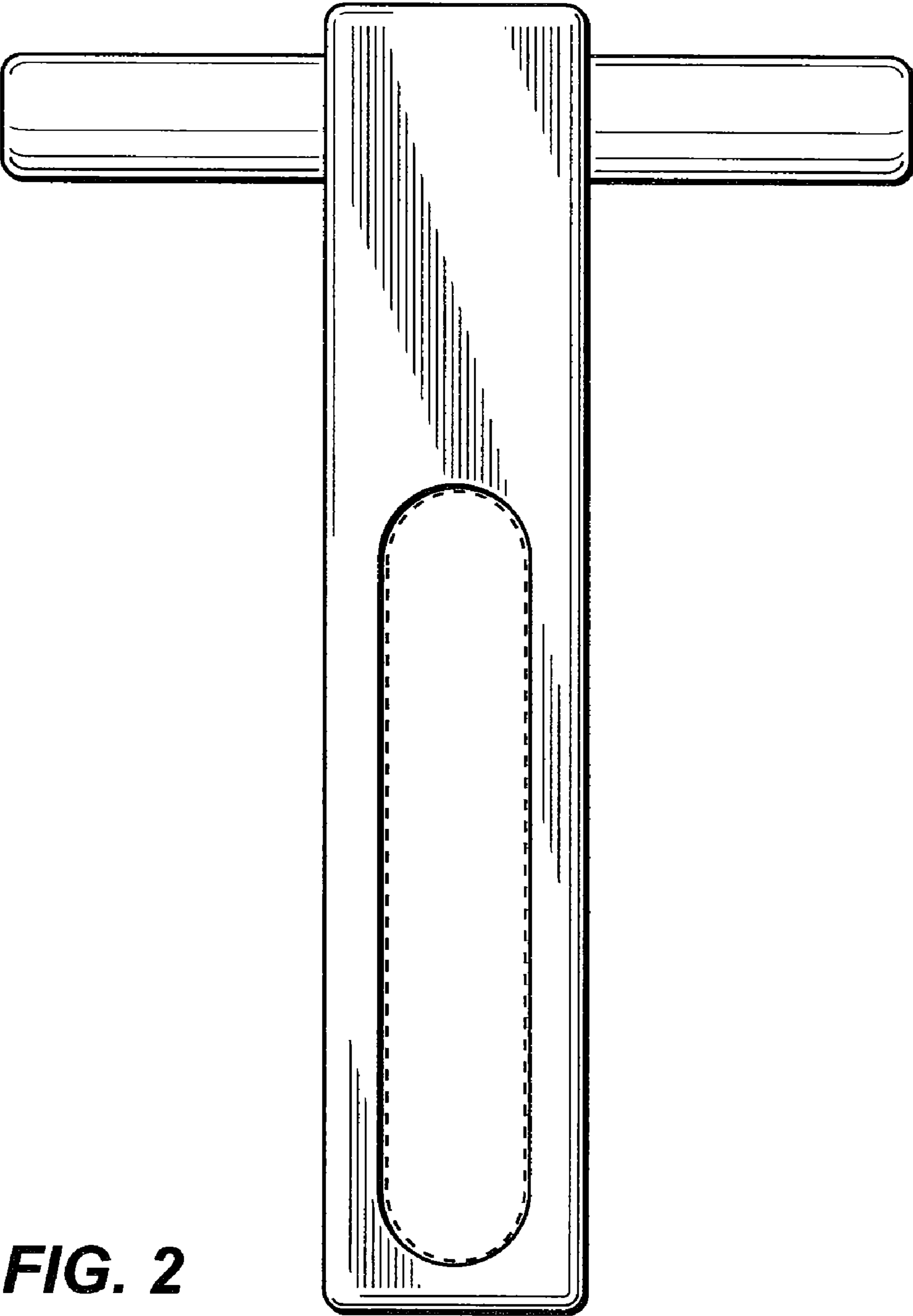
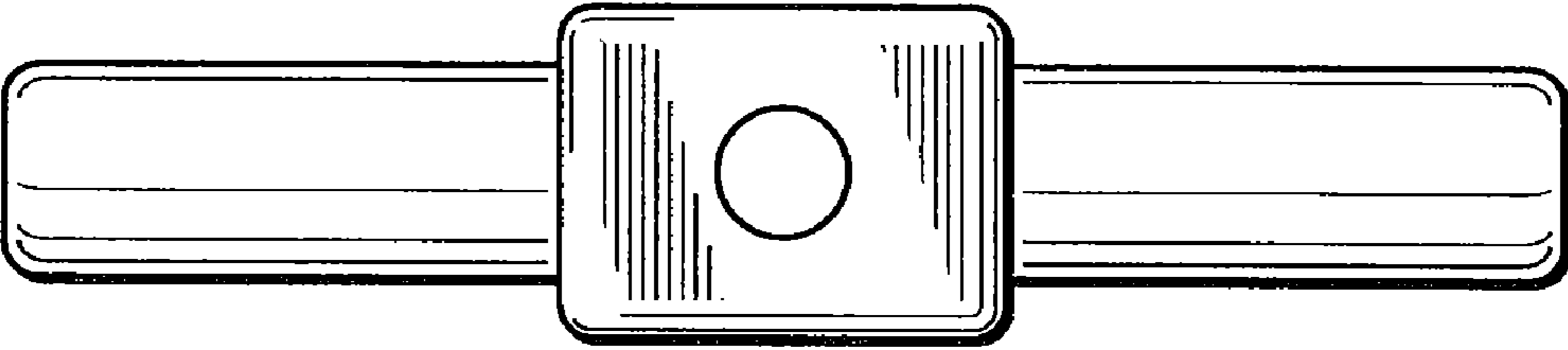


FIG. 2

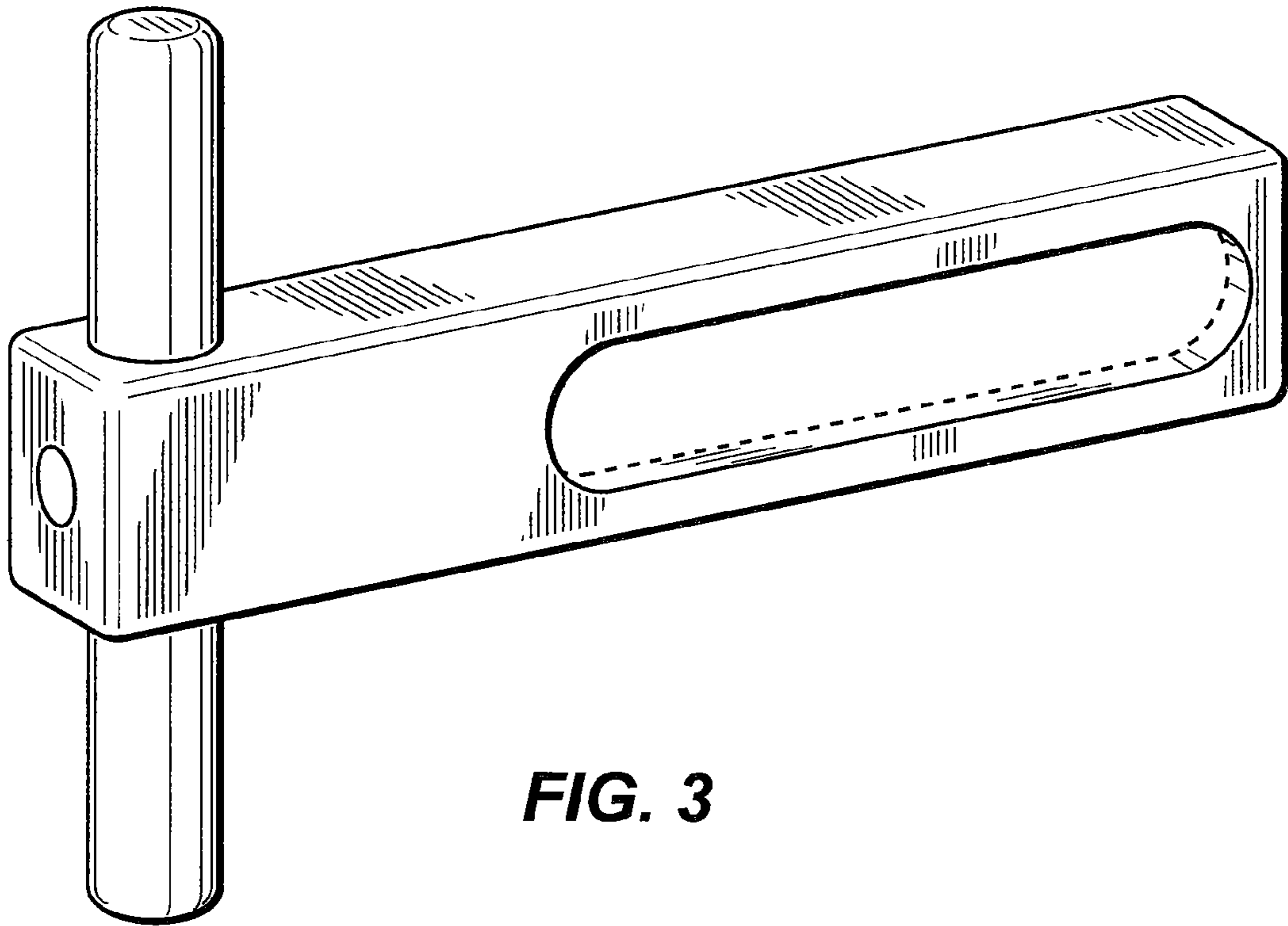


FIG. 3

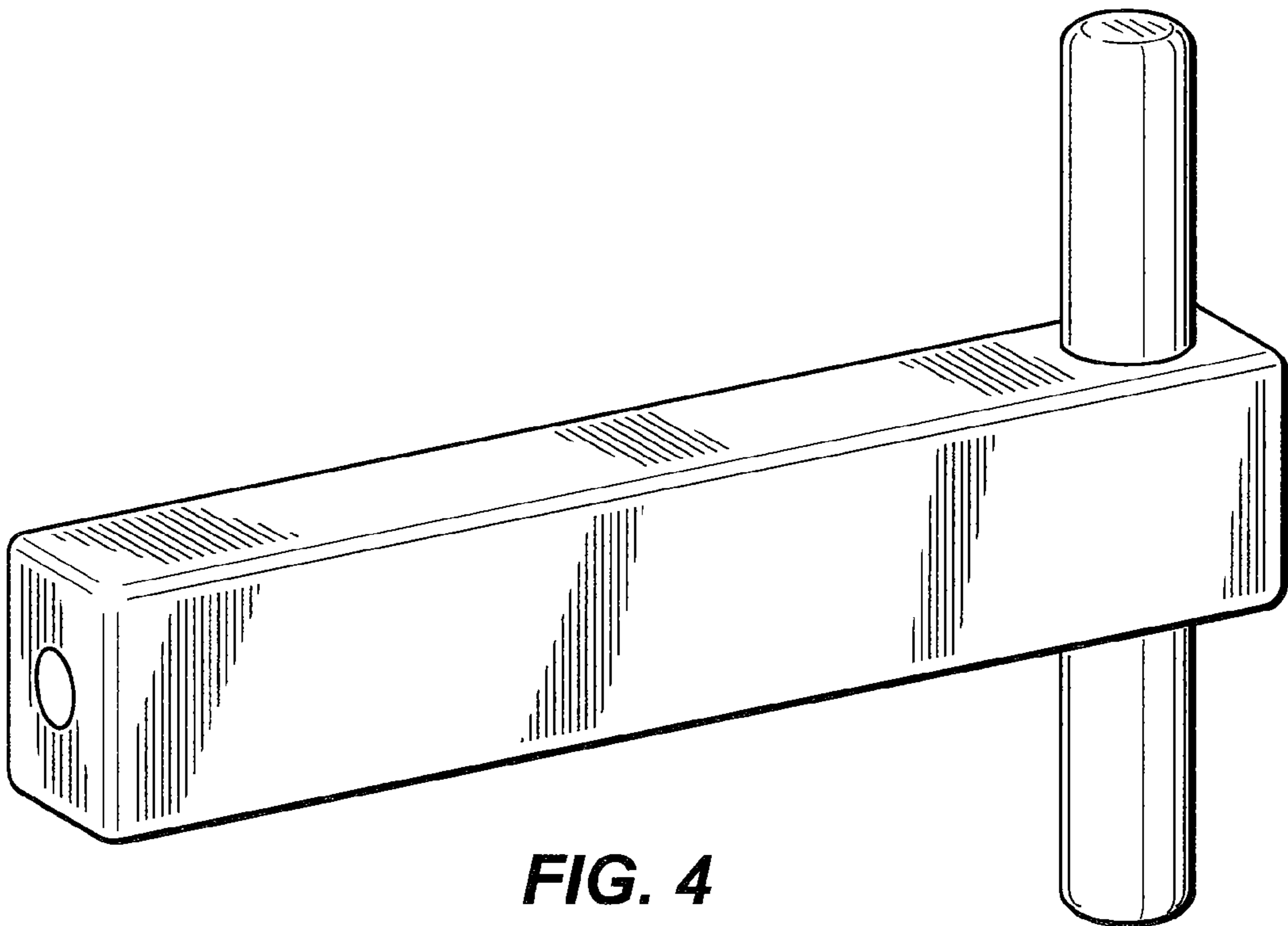


FIG. 4