



US00D579561S

(12) **United States Design Patent**
Call et al.

(10) **Patent No.:** **US D579,561 S**
(45) **Date of Patent:** **** Oct. 28, 2008**

(54) **PORTION OF A SYRINGE**

(75) Inventors: **Evan W. Call**, Bountiful, UT (US);
Edwin Lewis Pangman, West Jordan,
UT (US)

(73) Assignee: **Physician Industries, Inc.**, West Valley
City, UT (US)

(**) Term: **14 Years**

(21) Appl. No.: **29/269,668**

(22) Filed: **Dec. 6, 2006**

Related U.S. Application Data

(63) Continuation of application No. 10/831,769, filed on
Apr. 23, 2004, now Pat. No. 7,291,131, which is a
continuation-in-part of application No. 10/769,634,
filed on Jan. 30, 2004.

(51) **LOC (8) Cl.** **24-02**

(52) **U.S. Cl.** **D24/130**

(58) **Field of Classification Search** D24/112,
D24/114, 130; 604/195, 181, 110, 130, 87,
604/227, 232, 228, 191, 220, 222, 224, 218
See application file for complete search history.

(56) **References Cited**

U.S. PATENT DOCUMENTS

3,625,793 A	12/1971	Sheridan	
3,878,830 A	4/1975	Bicher	
RE30,365 E	8/1980	Mattler	
4,370,982 A	2/1983	Reilly	
4,439,185 A	3/1984	Lundquist	
4,583,974 A	4/1986	Kokernak	
4,651,738 A	3/1987	Demer et al.	
4,655,749 A	4/1987	Fischione	
4,710,179 A	12/1987	Haber et al.	
4,723,547 A *	2/1988	Kullas et al.	606/185
4,723,938 A	2/1988	Goodin et al.	
4,740,203 A	4/1988	Hoskins et al.	
4,758,223 A	7/1988	Rydell	
4,810,249 A	3/1989	Haber et al.	

4,815,313 A	3/1989	Beard
4,832,692 A	5/1989	Box et al.
4,873,986 A	10/1989	Wallace
4,919,121 A	4/1990	Rydell et al.
4,940,459 A	7/1990	Noce
4,951,677 A	8/1990	Crowley et al.
5,019,041 A	5/1991	Robinson et al.
5,047,015 A	9/1991	Foote et al.
5,057,078 A	10/1991	Foote et al.
5,084,060 A	1/1992	Freund et al.
5,137,514 A	8/1992	Ryan
5,147,300 A	9/1992	Robinson et al.
5,168,757 A	12/1992	Rabenau et al.
5,201,753 A	4/1993	Lampropoulos et al.
5,209,732 A	5/1993	Lampropoulos et al.
5,213,115 A	5/1993	Zytkovicz et al.
5,246,011 A	9/1993	Caillouette
5,273,537 A	12/1993	Haskvitz et al.

(Continued)

Primary Examiner—Louis S Zarfaz
Assistant Examiner—Eric L Goodman
(74) *Attorney, Agent, or Firm*—TraskBritt, P.C.

(57) **CLAIM**

The ornamental design for a portion of a syringe, as shown
and described.

DESCRIPTION

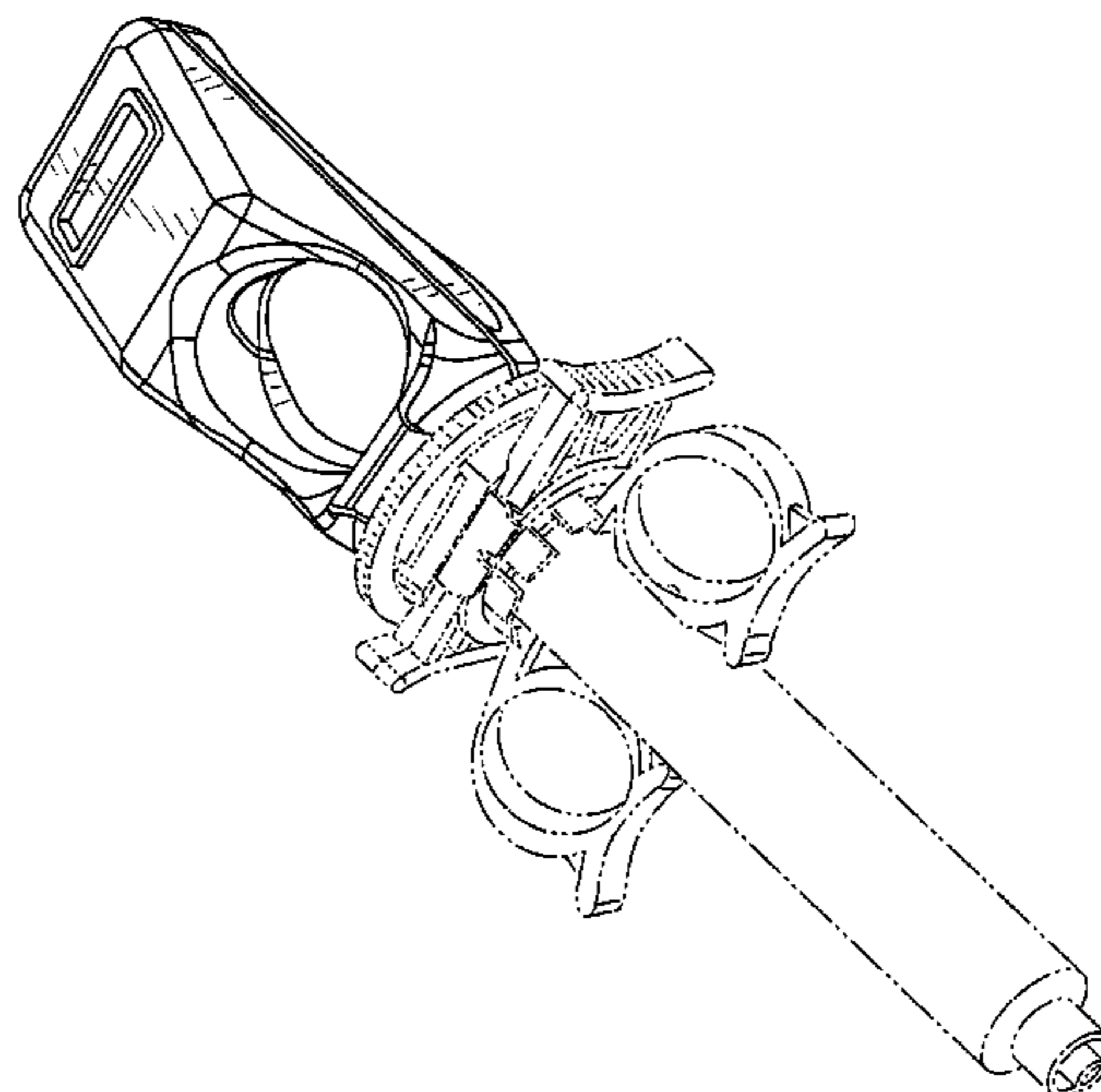
FIG. 1 is a perspective view of a portion of a syringe showing
our new design;

FIG. 2 is a side of the portion of a syringe shown in FIG. 1;
and,

FIG. 3 is a bottom view of the portion of a syringe shown in
FIG. 1.

The uneven broken lines represent the remaining portion of
the syringe. The uneven broken line representations in FIGS.
1–3 are for illustrative purposes only and form no part of the
claimed design.

1 Claim, 3 Drawing Sheets



US D579,561 S

Page 2

U.S. PATENT DOCUMENTS				
		5,728,064 A	3/1998	Burns et al.
5,383,855 A	1/1995	5,741,229 A	4/1998	Robinson et al.
5,385,549 A	1/1995	5,749,853 A	5/1998	O'Donnell et al.
5,385,558 A *	1/1995	5,752,935 A	5/1998	Robinson et al.
5,387,194 A	2/1995	5,785,685 A	7/1998	Kugler et al.
5,403,274 A	4/1995	5,808,203 A	9/1998	Nolan, Jr. et al.
5,425,713 A	6/1995	5,860,955 A	1/1999	Wright et al.
5,429,606 A	7/1995	5,891,089 A	4/1999	Katz et al.
5,431,629 A	7/1995	5,951,517 A	9/1999	Lampropoulos et al.
5,433,707 A	7/1995	5,968,017 A	10/1999	Lampropoulos et al.
5,449,344 A	9/1995	6,139,523 A	10/2000	Taylor et al.
5,449,345 A	9/1995	6,179,815 B1	1/2001	Foote
5,453,091 A	9/1995	6,190,354 B1	2/2001	Sell et al.
5,458,571 A	10/1995	6,224,561 B1	5/2001	Swendson et al.
5,459,700 A	10/1995	6,245,043 B1	6/2001	Villette
5,460,609 A	10/1995	6,394,977 B1	5/2002	Taylor et al.
5,472,424 A	12/1995	6,792,306 B2	9/2004	Henley et al.
5,489,256 A	2/1996	7,291,131 B2 *	11/2007	Call 604/187
5,545,133 A	8/1996	2003/0216692 A1	11/2003	Fago et al.
5,562,614 A	10/1996	2004/0024361 A1	2/2004	Fago et al.
5,599,301 A	2/1997	2004/0260238 A1 *	12/2004	Call 604/97.03
5,625,144 A	4/1997	2005/0004518 A1 *	1/2005	Call 604/97.02
5,647,847 A	7/1997	2005/0182323 A1 *	8/2005	Grispo et al. 600/432
5,685,848 A	11/1997	2005/0187522 A1 *	8/2005	Miller 604/198
5,695,468 A	12/1997	2006/0264964 A1 *	11/2006	Scifert et al. 606/92
5,704,913 A	1/1998	2007/0225654 A1 *	9/2007	Hess et al. 604/187

* cited by examiner

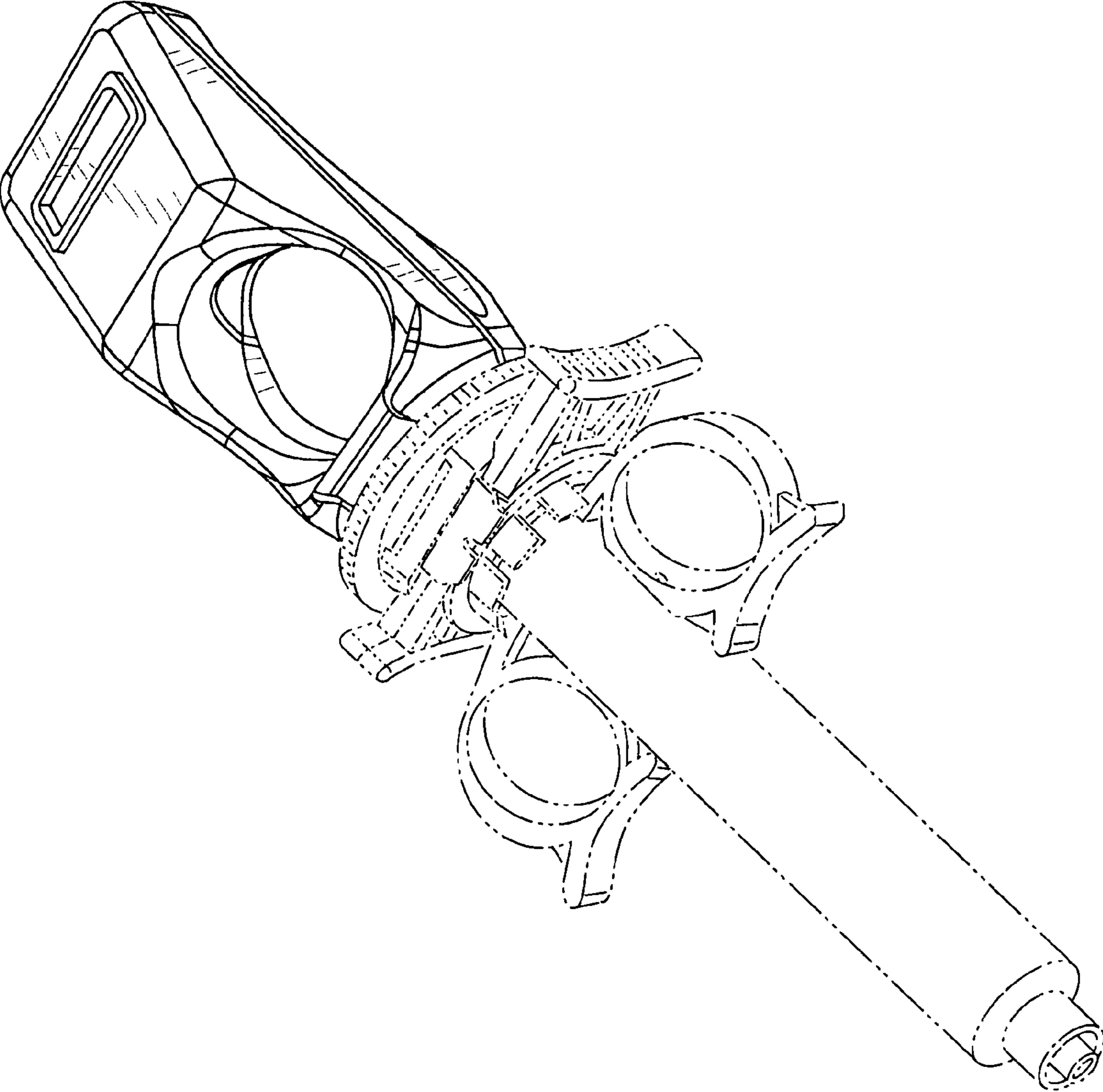


FIG. 1

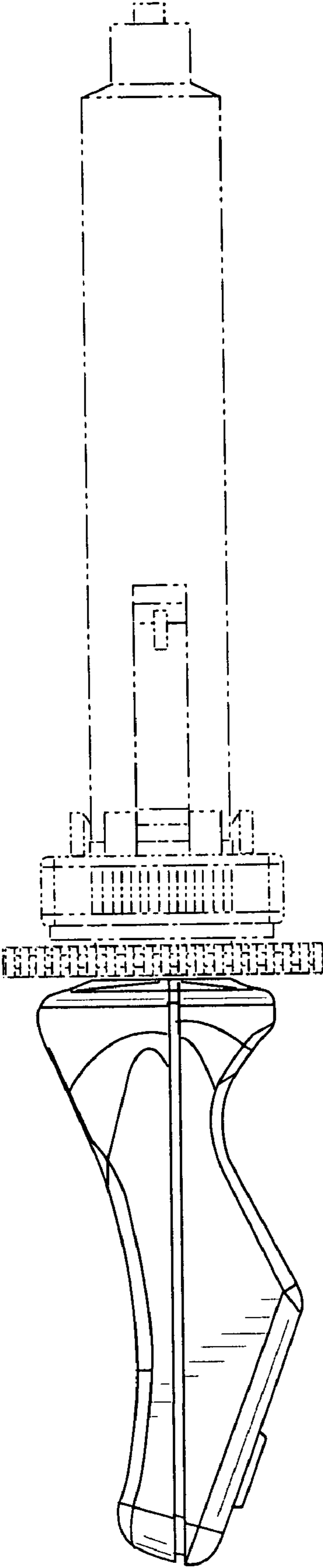


FIG. 2

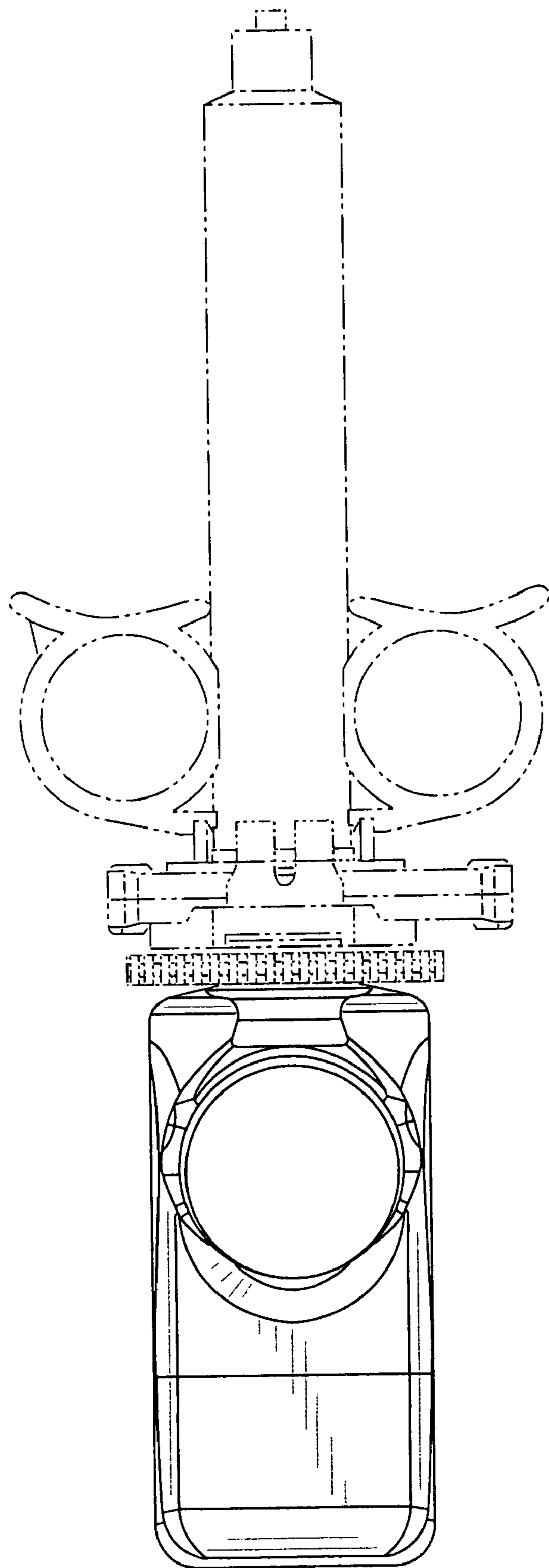


FIG. 3