

US00D579557S

(12) **United States Design Patent**
Washington

(10) **Patent No.:** **US D579,557 S**

(45) **Date of Patent:** **** Oct. 28, 2008**

(54) **URINE STREAM COLLECTION UNIT**

(76) **Inventor:** **Charles M. Washington**, 12339 Legend Lakes Dr., Roscoe, IL (US) 61073

(**) **Term:** **14 Years**

(21) **Appl. No.:** **29/301,952**

(22) **Filed:** **Mar. 24, 2008**

(51) **LOC (8) Cl.** **24-04**

(52) **U.S. Cl.** **D24/122; D7/691**

(58) **Field of Classification Search** D24/122, D24/123, 121, 224; D23/274, 302, 295, D23/309, 200; 4/144.1-144.4, 459, 460; 604/317, 318, 334; 600/573; D7/691; 30/324-328; D10/46.2
See application file for complete search history.

(56) **References Cited**

U.S. PATENT DOCUMENTS

D248,494	S	*	7/1978	Nakao et al.	D24/122
D302,777	S	*	8/1989	Hiscott et al.	D7/691
5,084,177	A	*	1/1992	Keene	30/325
D340,768	S	*	10/1993	Jabour	D24/122
D357,066	S	*	4/1995	Jones et al.	D24/122
5,422,076	A	*	6/1995	Jones	4/144.1
D379,655	S	*	6/1997	Savignac	D24/122
D398,993	S	*	9/1998	Jones	D24/122
D433,274	S	*	11/2000	Babayan	D24/224
D456,898	S	*	5/2002	Yang	D24/122

6,719,951	B1	*	4/2004	Griffith	600/573
D504,056	S	*	4/2005	Craig et al.	D7/691
D567,368	S	*	4/2008	Guptill	D24/122

* cited by examiner

Primary Examiner—Louis S Zarfaz

Assistant Examiner—David G Muller

(74) *Attorney, Agent, or Firm*—Leydig, Voit & Mayer, Ltd.

(57) **CLAIM**

An ornamental design for a urine stream collection unit, as shown and described.

DESCRIPTION

FIG. 1 is a perspective view of the urine stream collection unit illustrating top, side and end surfaces;

FIG. 2 is a top plan view of the urine stream collection unit;

FIG. 3 is a bottom plan view of the urine stream collection unit;

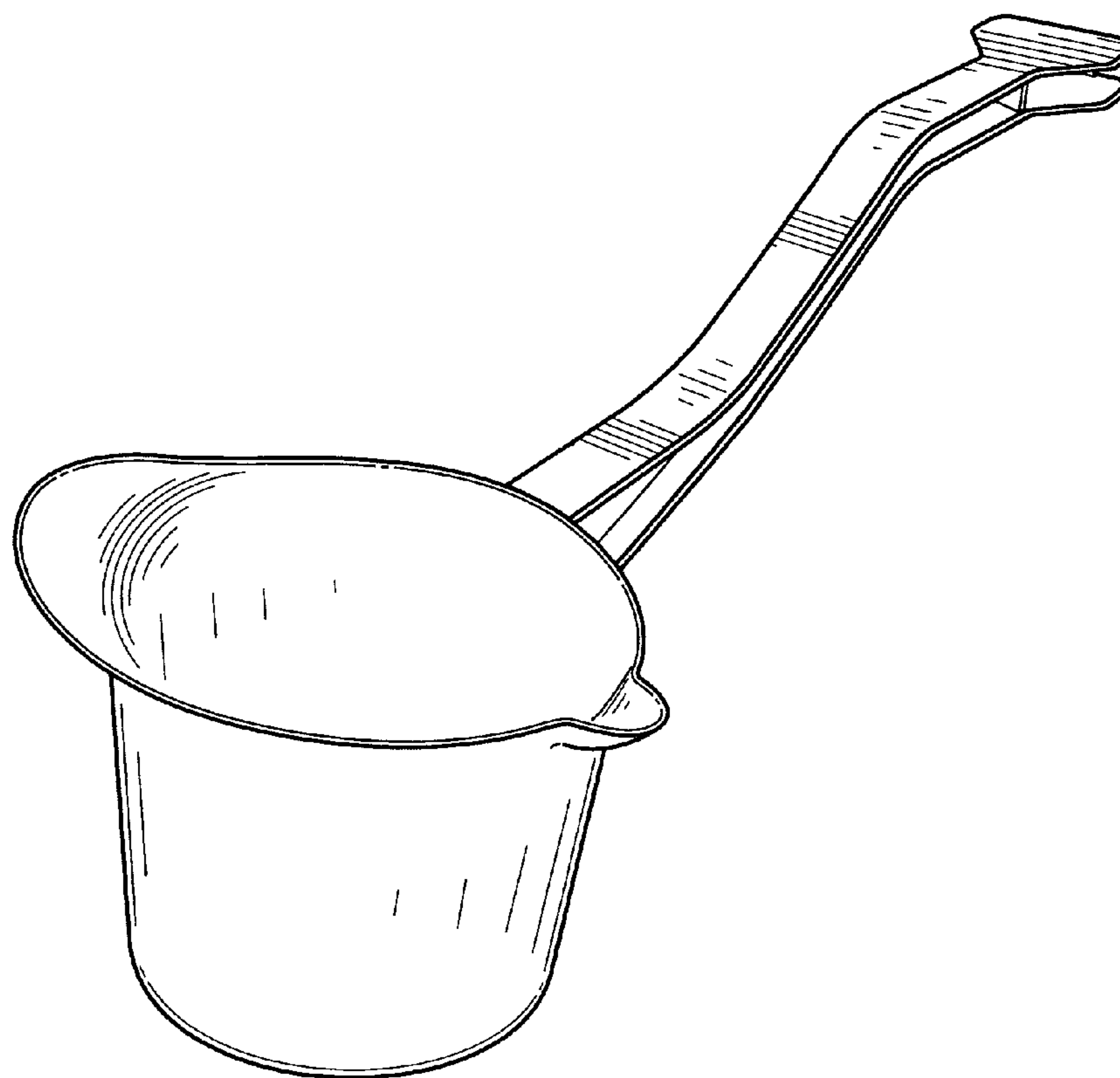
FIG. 4 is a view illustrating a side of the urine stream collection unit;

FIG. 5 is a view illustrating a side of the urine stream collection unit opposing the side of FIG. 4;

FIG. 6 is a view illustrating an end of the urine stream collection unit; and,

FIG. 7 is a view illustrating an end of the urine stream collection unit opposing the end of FIG. 6.

1 Claim, 4 Drawing Sheets



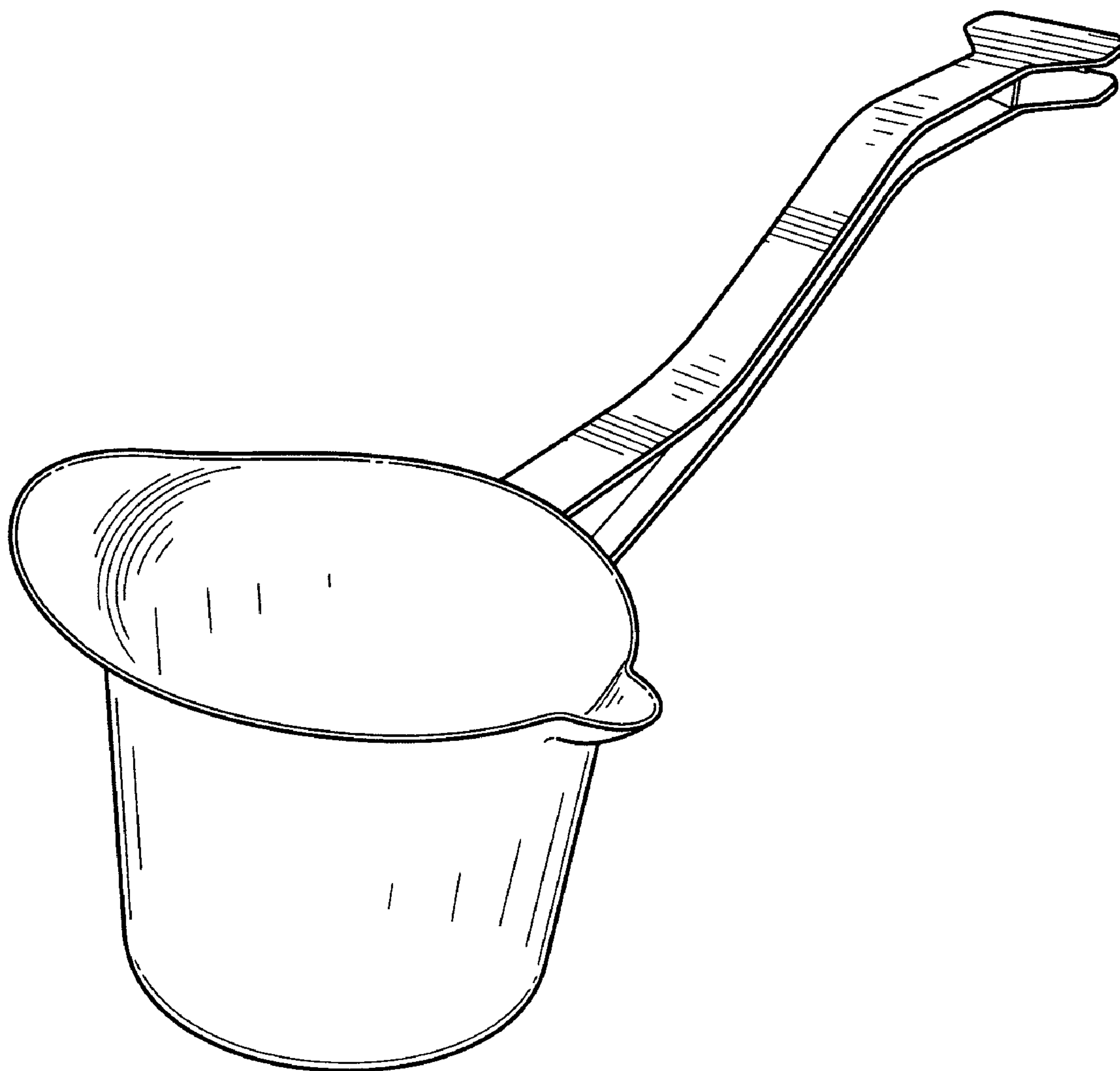
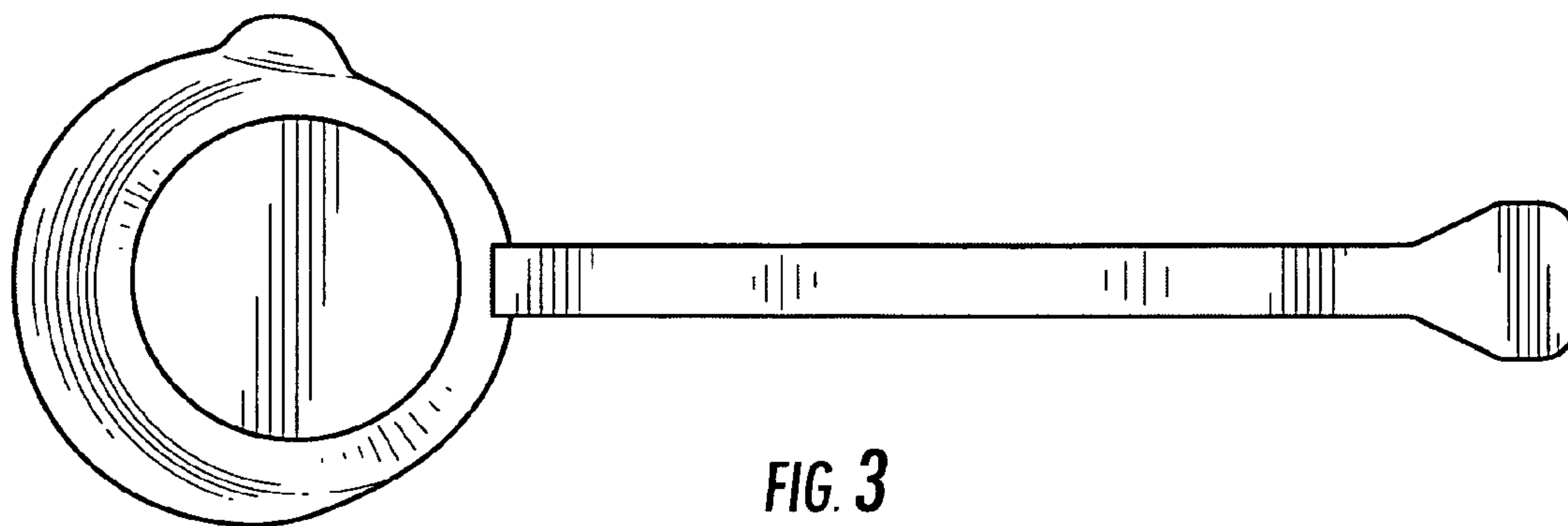
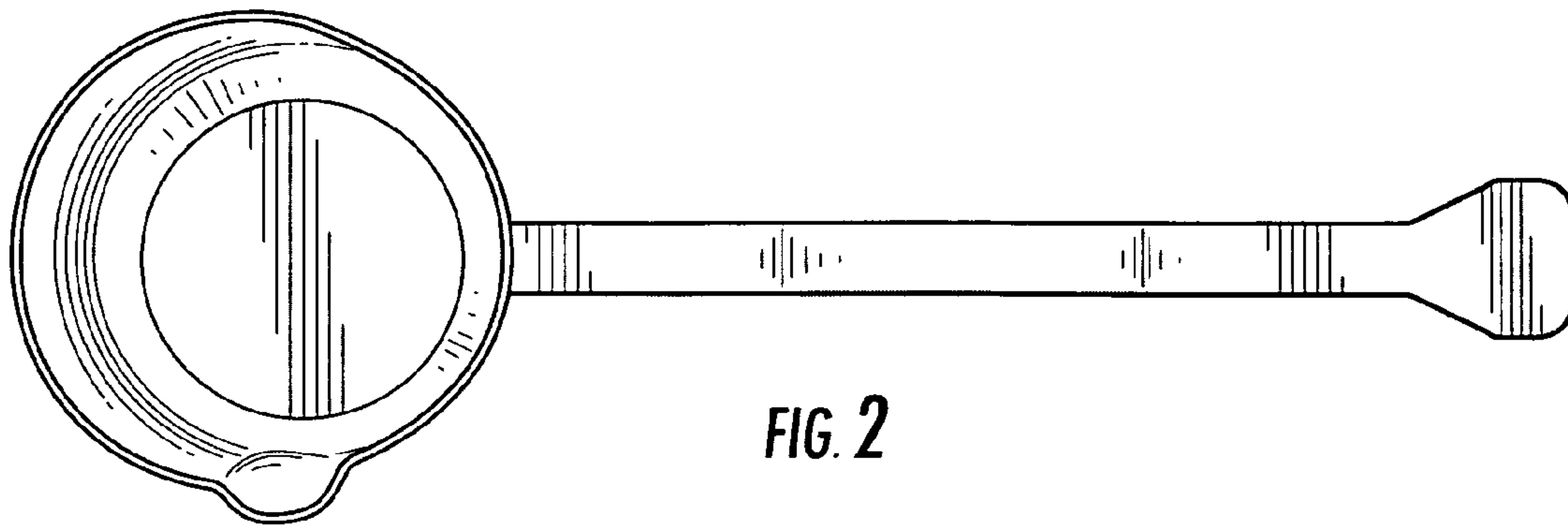


FIG. 1



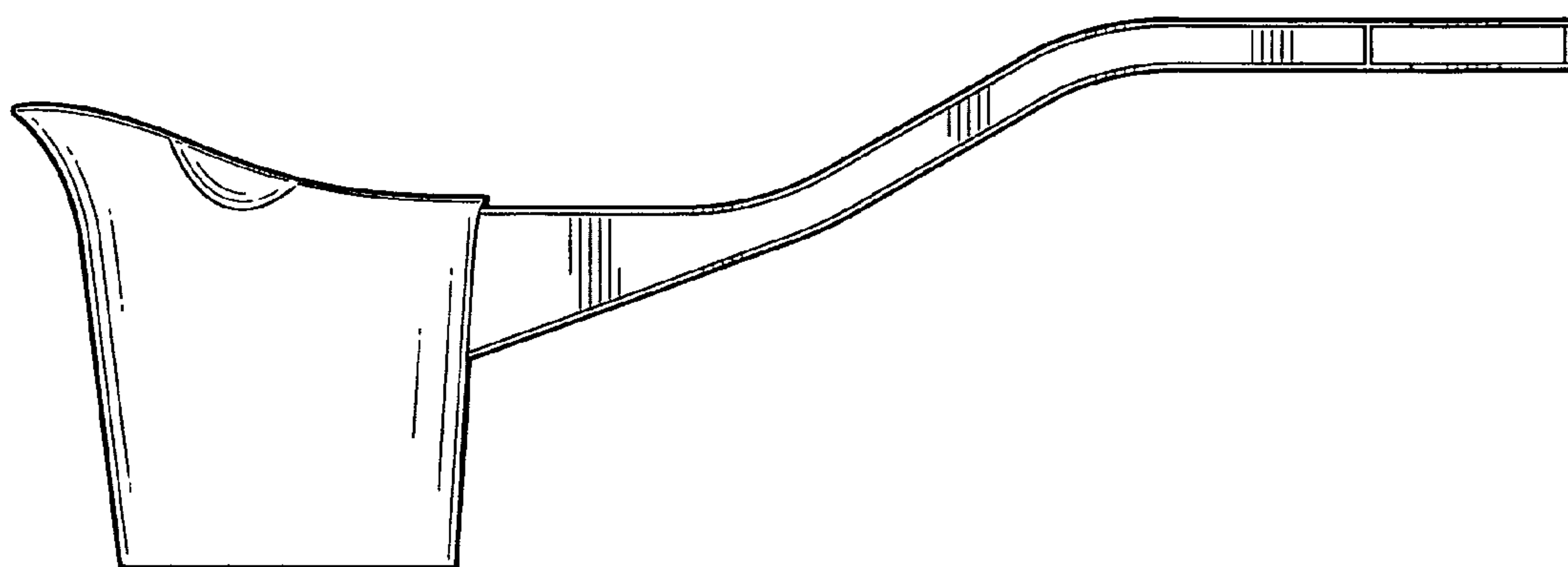


FIG. 4

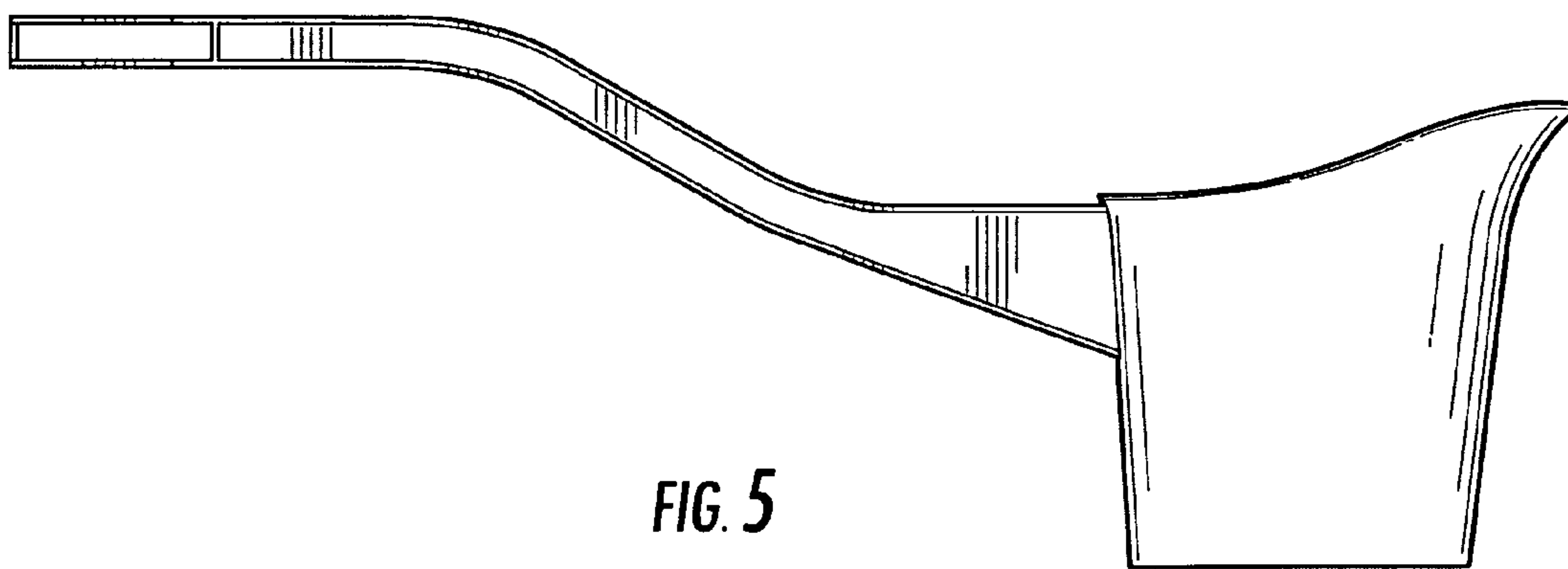


FIG. 5

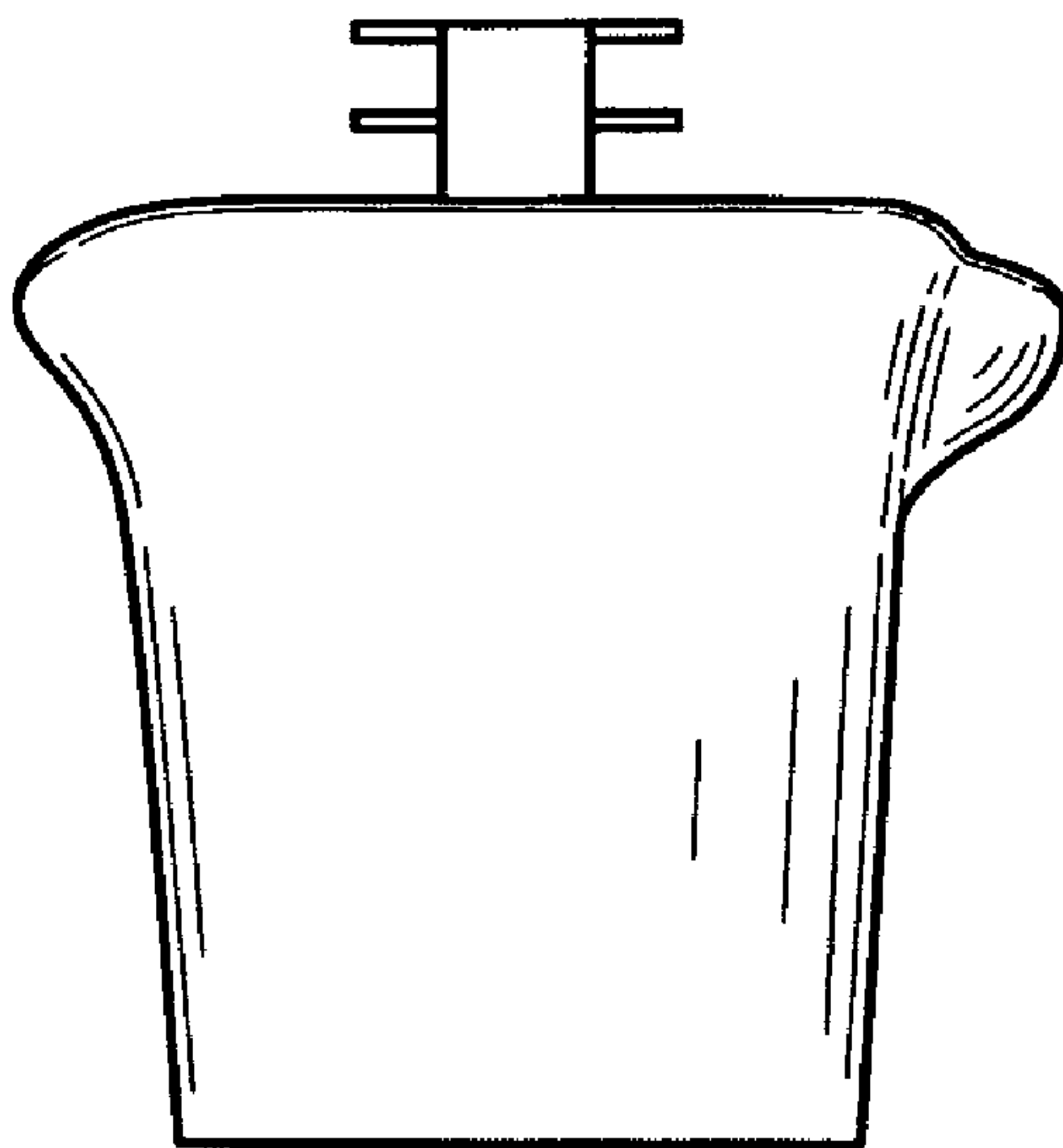


FIG. 6

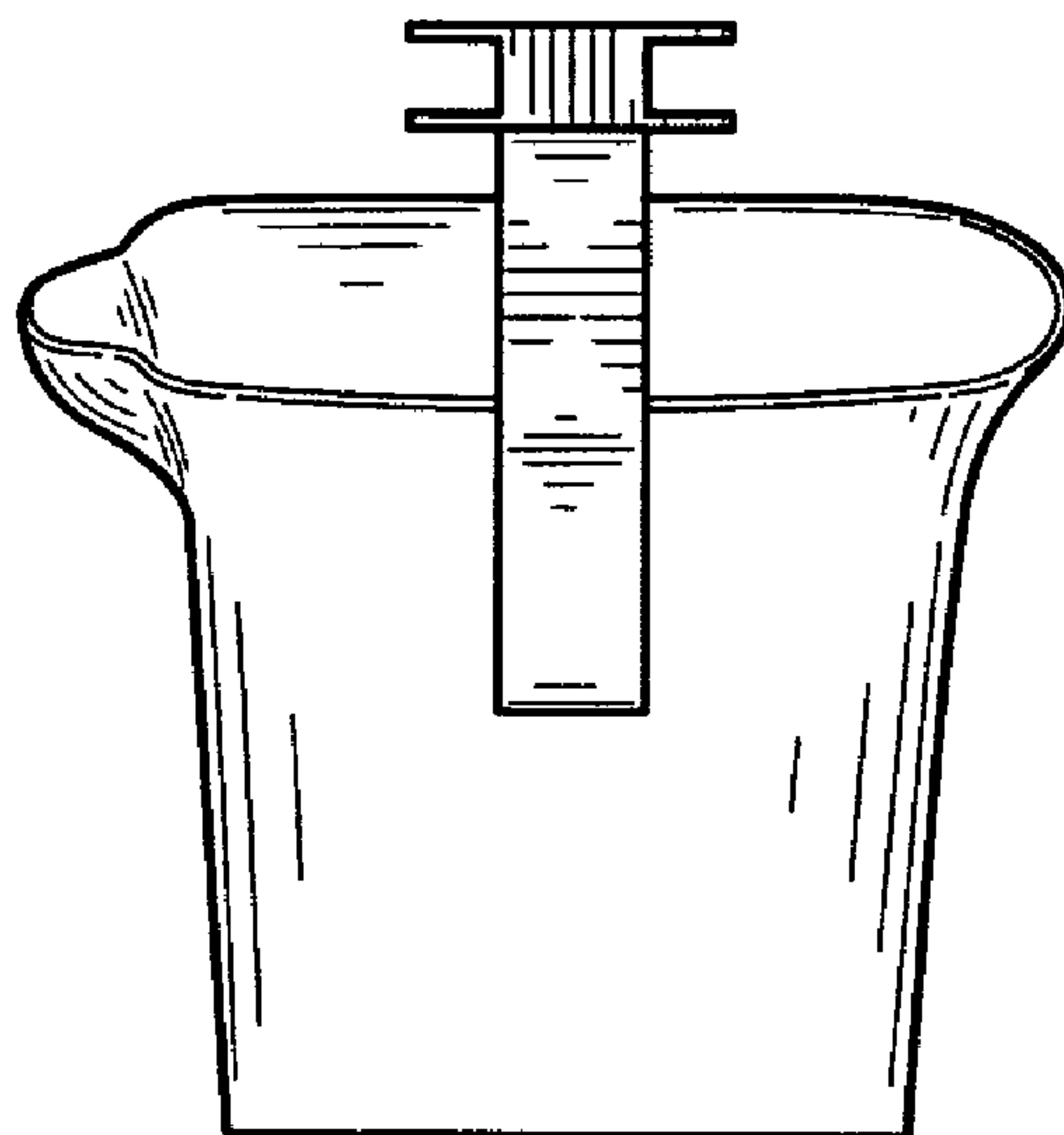


FIG. 7