



US00D579555S

(12) **United States Design Patent**  
**Hörth et al.**

(10) **Patent No.:** **US D579,555 S**  
(45) **Date of Patent:** **\*\* Oct. 28, 2008**

(54) **DENTAL APPLICATOR**

(75) Inventors: **Hans Hörth**, Hamburg (DE); **Karsten Lamott**, Hamburg (DE)

(73) Assignee: **Ernst Muhlbauer GmbH & Co KG**,  
Norderfriedrichskoog (DE)

(\*\*) Term: **14 Years**

(21) Appl. No.: **29/264,101**

(22) Filed: **Aug. 2, 2006**

(30) **Foreign Application Priority Data**

Jun. 8, 2006 (EM) ..... 000541545-0001/0008

(51) **LOC (8) Cl.** ..... **24-02**

(52) **U.S. Cl.** ..... **D24/115; D24/117**

(58) **Field of Classification Search** ..... D24/133,  
D24/152, 115, 117, 107-108, 147; D9/440,  
D9/443, 447, 499; D19/53-55, 66; D8/307,  
D8/301; 433/80, 89; 606/1, 41, 44; 604/212,  
604/215, 37, 95.03, 95.02, 93.01, 98.02;  
222/209, 633, 566-567

See application file for complete search history.

(56) **References Cited**

**U.S. PATENT DOCUMENTS**

2,937,446	A *	5/1960	Weisenfeld	.....	433/146
3,468,030	A *	9/1969	Nivison et al.	.....	433/136
3,620,418	A *	11/1971	Stevens et al.	.....	222/59
D263,742	S *	4/1982	Albert	.....	D24/152
D319,699	S *	9/1991	Dunning	.....	D24/115
D336,957	S *	6/1993	Koros et al.	.....	D24/147
5,431,636	A *	7/1995	Stangerup	.....	604/215
D361,380	S *	8/1995	Linner	.....	D24/115
D362,387	S *	9/1995	Shumer	.....	D9/447
5,669,875	A *	9/1997	van Eerdenburg	.....	604/22
D460,331	S *	7/2002	Mangione	.....	D8/51
D490,894	S *	6/2004	Bogazzi	.....	D24/133

D490,895	S *	6/2004	Bogazzi	.....	D24/133
D497,668	S *	10/2004	Bogazzi	.....	D24/133
D519,635	S *	4/2006	Hudak	.....	D24/152
7,166,090	B2 *	1/2007	Marsden et al.	.....	604/290
D559,385	S *	1/2008	Boone et al.	.....	D24/133
2004/0081939	A1 *	4/2004	Rosenstatter	.....	433/126

**OTHER PUBLICATIONS**

U.S. Appl. No. 29/264,097, filed Aug. 2, 2006.  
U.S. Appl. No. 29/264,093, filed Aug. 2, 2006.  
U.S. Appl. No. 29/264,096, filed Aug. 2, 2006.

\* cited by examiner

*Primary Examiner*—Ian Simmons

*Assistant Examiner*—Wan Laymon

(74) *Attorney, Agent, or Firm*—Fross Zelnick Lehrman &  
Zissu, P.C.; Charles T. J. Weigell, Esq.

(57) **CLAIM**

The ornamental design for a dental applicator, as shown and described.

**DESCRIPTION**

FIG. 1 is a perspective view of a dental applicator showing the new design;

FIG. 2 is a front view of the dental applicator shown in FIG. 1;

FIG. 3 is a left side view of the dental applicator shown in FIG. 1;

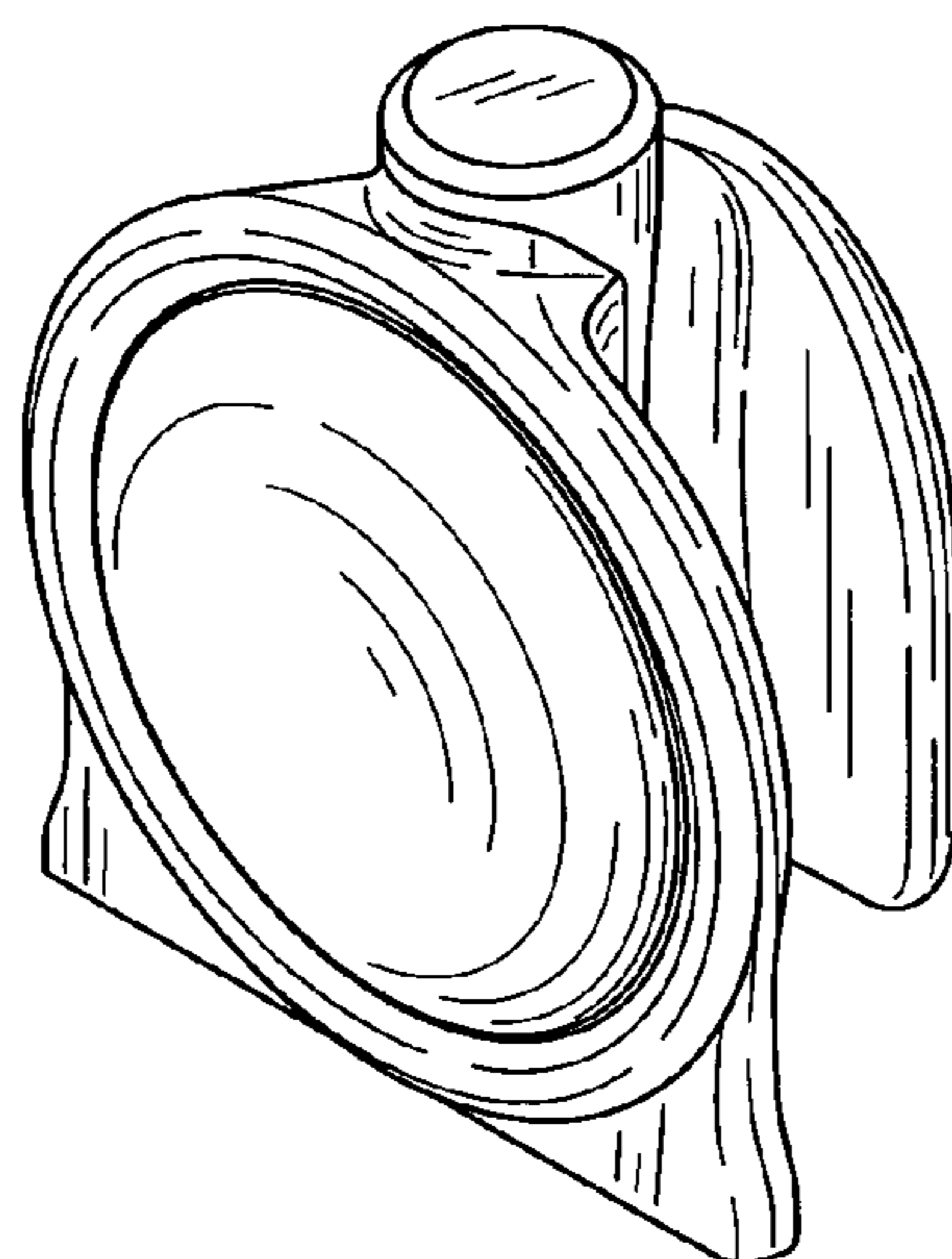
FIG. 4 is a right side view of the dental applicator shown in FIG. 1;

FIG. 5 is a back view of the dental applicator shown in FIG. 1;

FIG. 6 is a top view of the dental applicator shown in FIG. 1; and,

FIG. 7 is a bottom view of the dental applicator shown in FIG. 1.

**1 Claim, 3 Drawing Sheets**



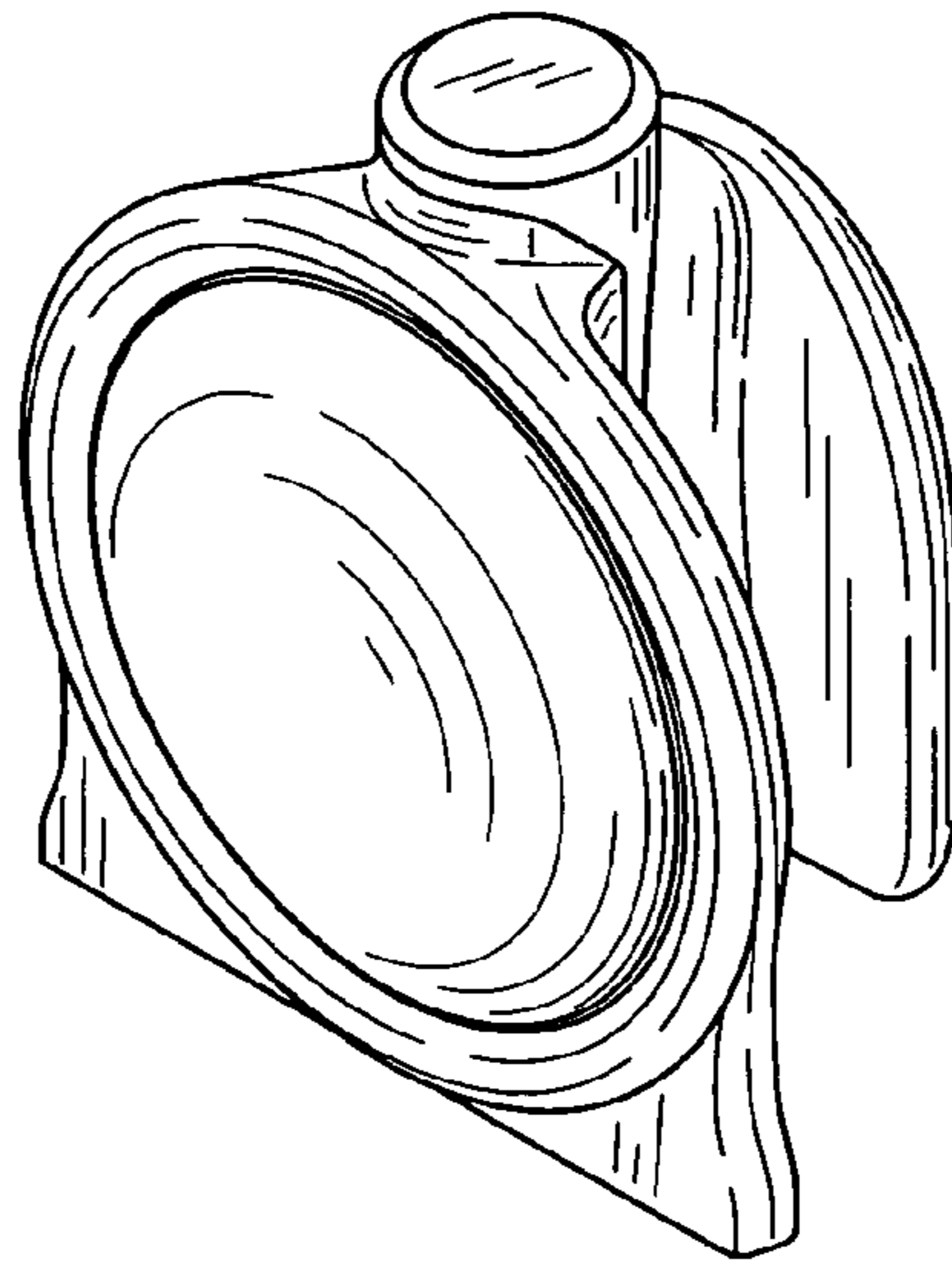


FIG. 1

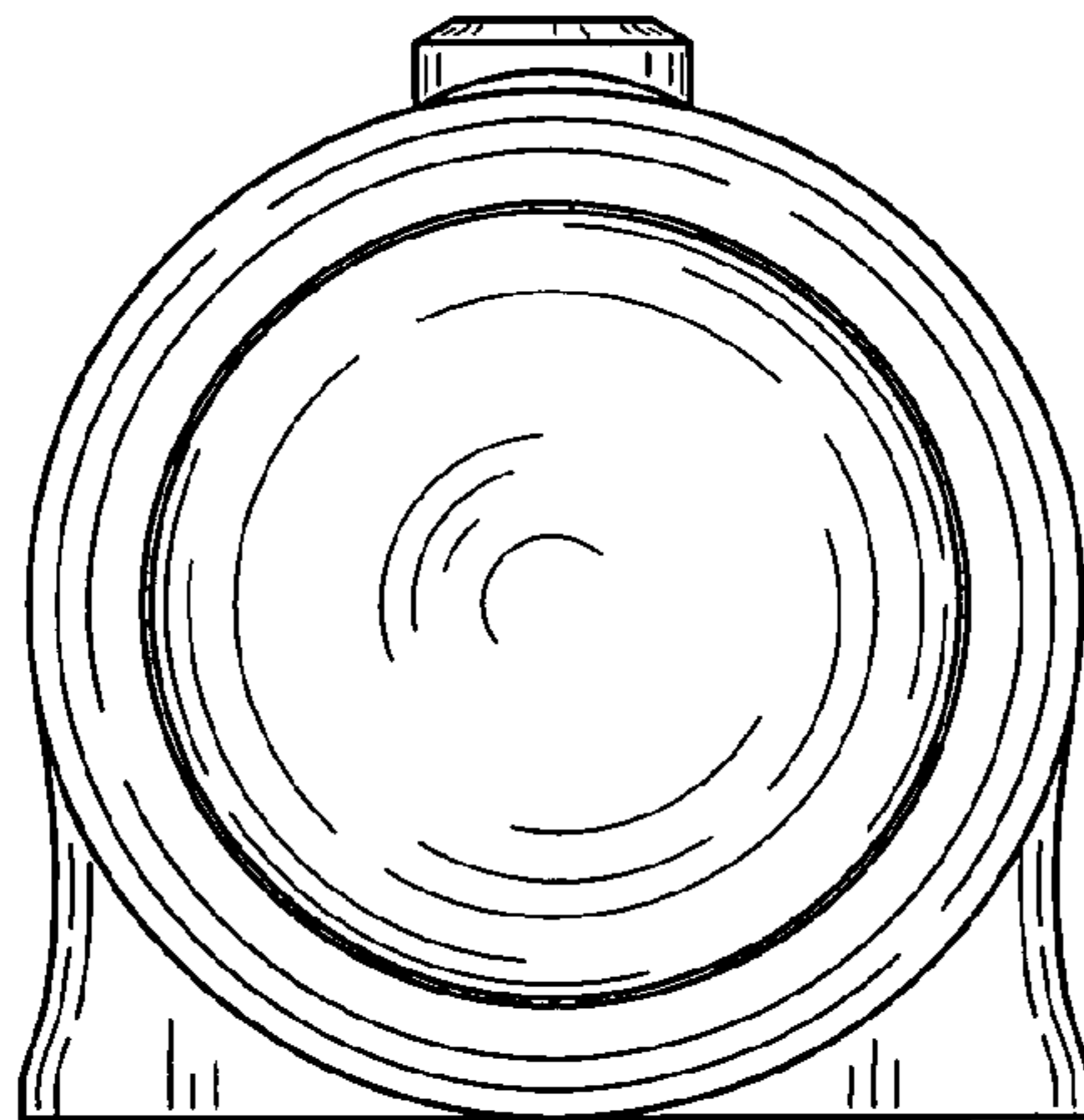


FIG. 2

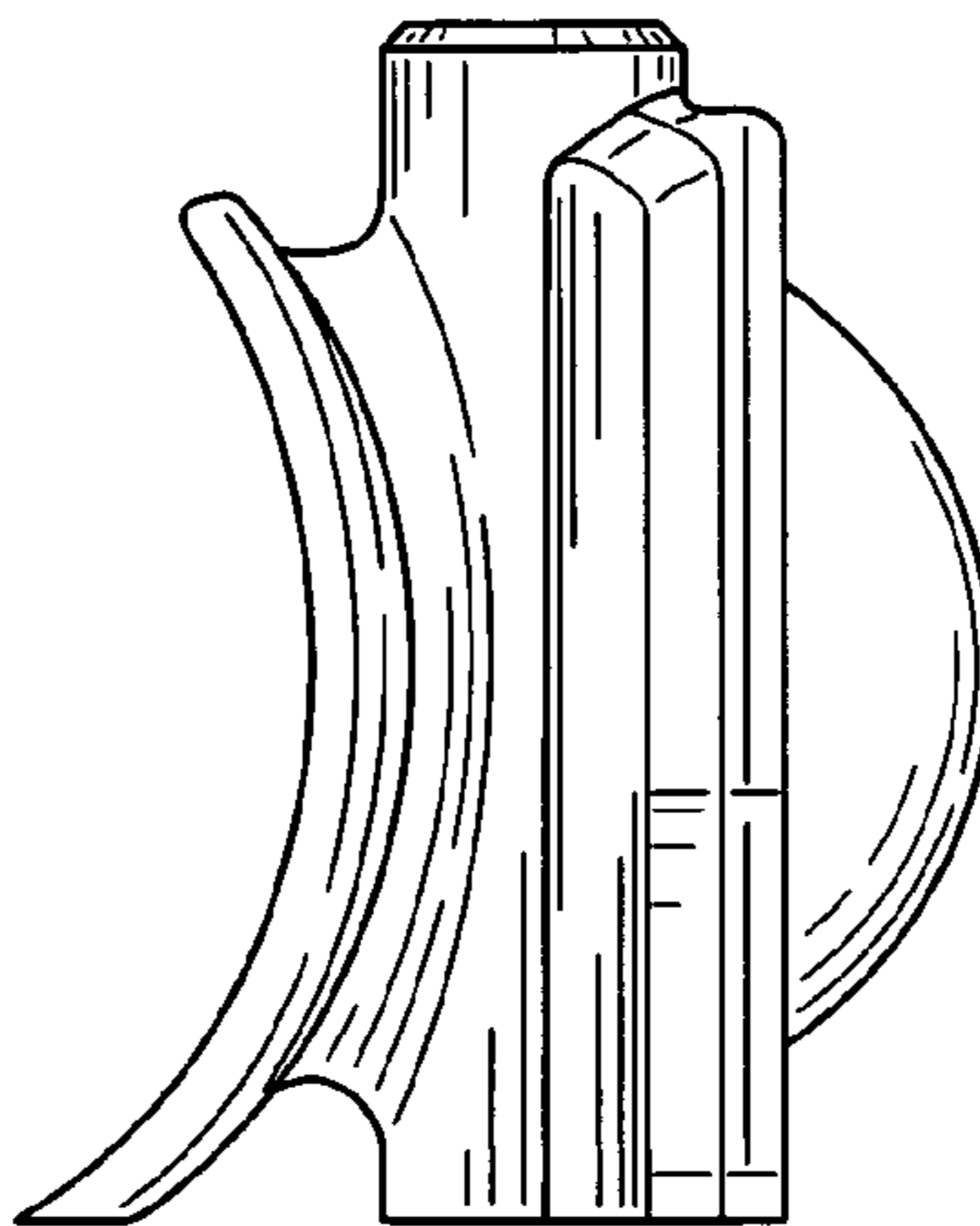


FIG. 3

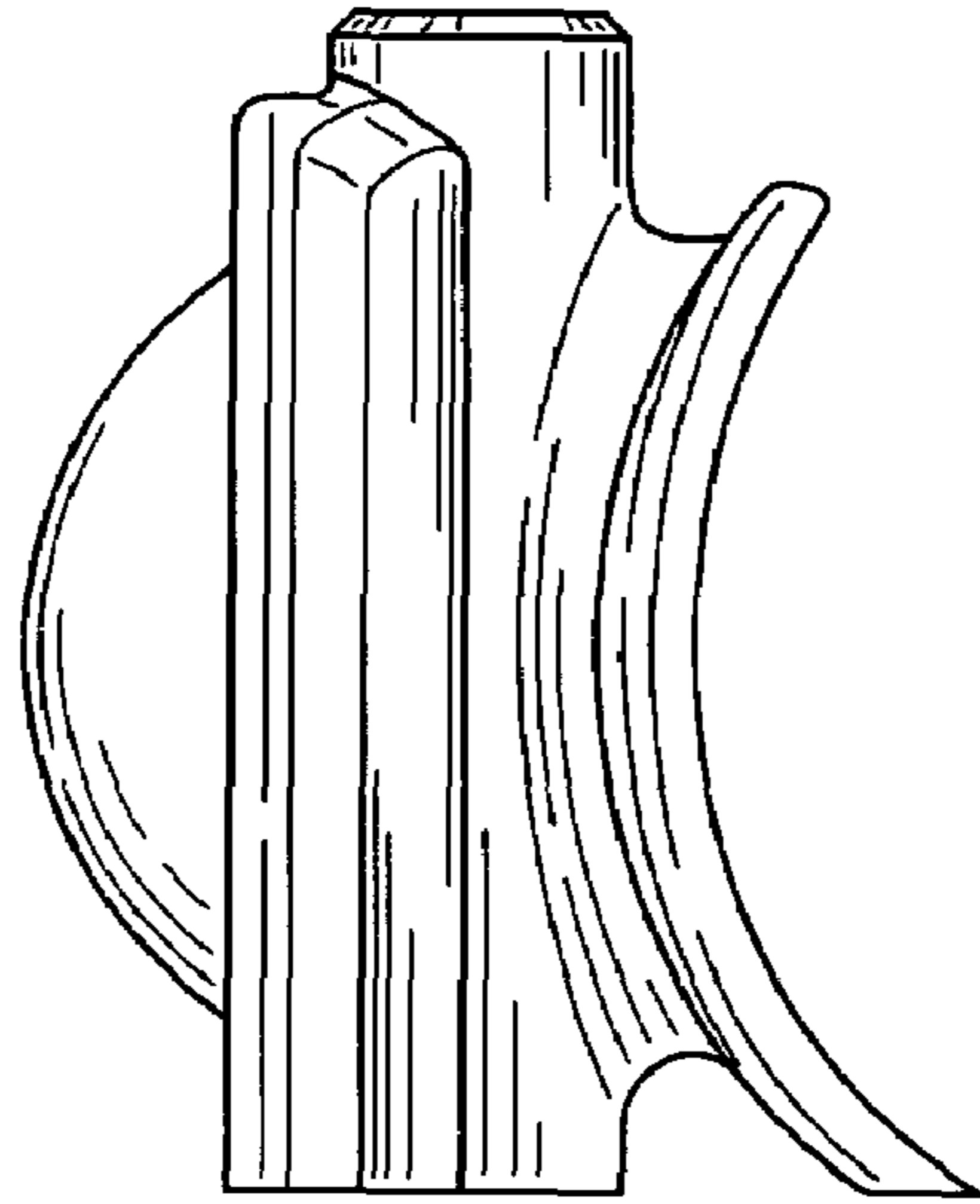


FIG. 4

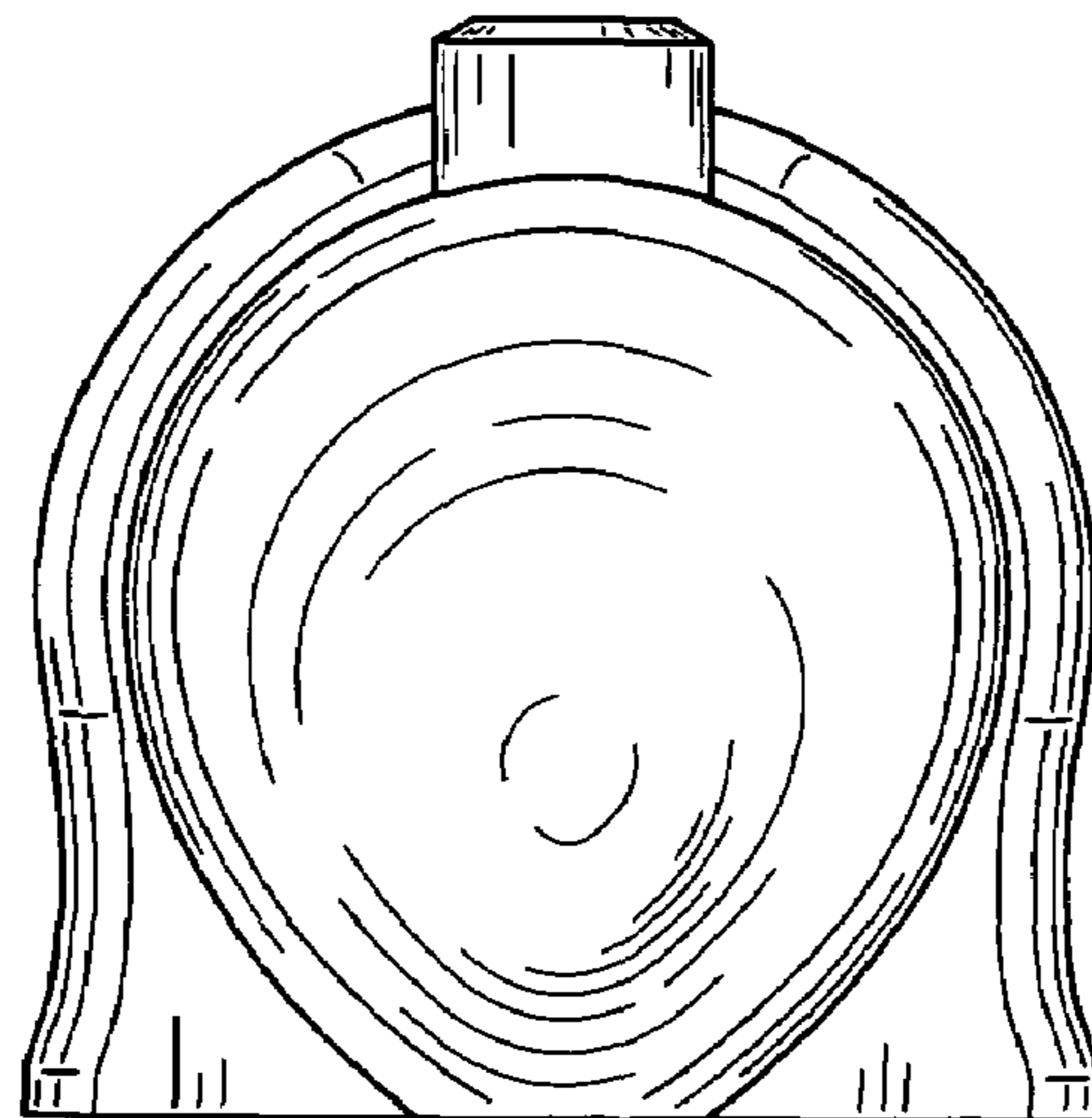
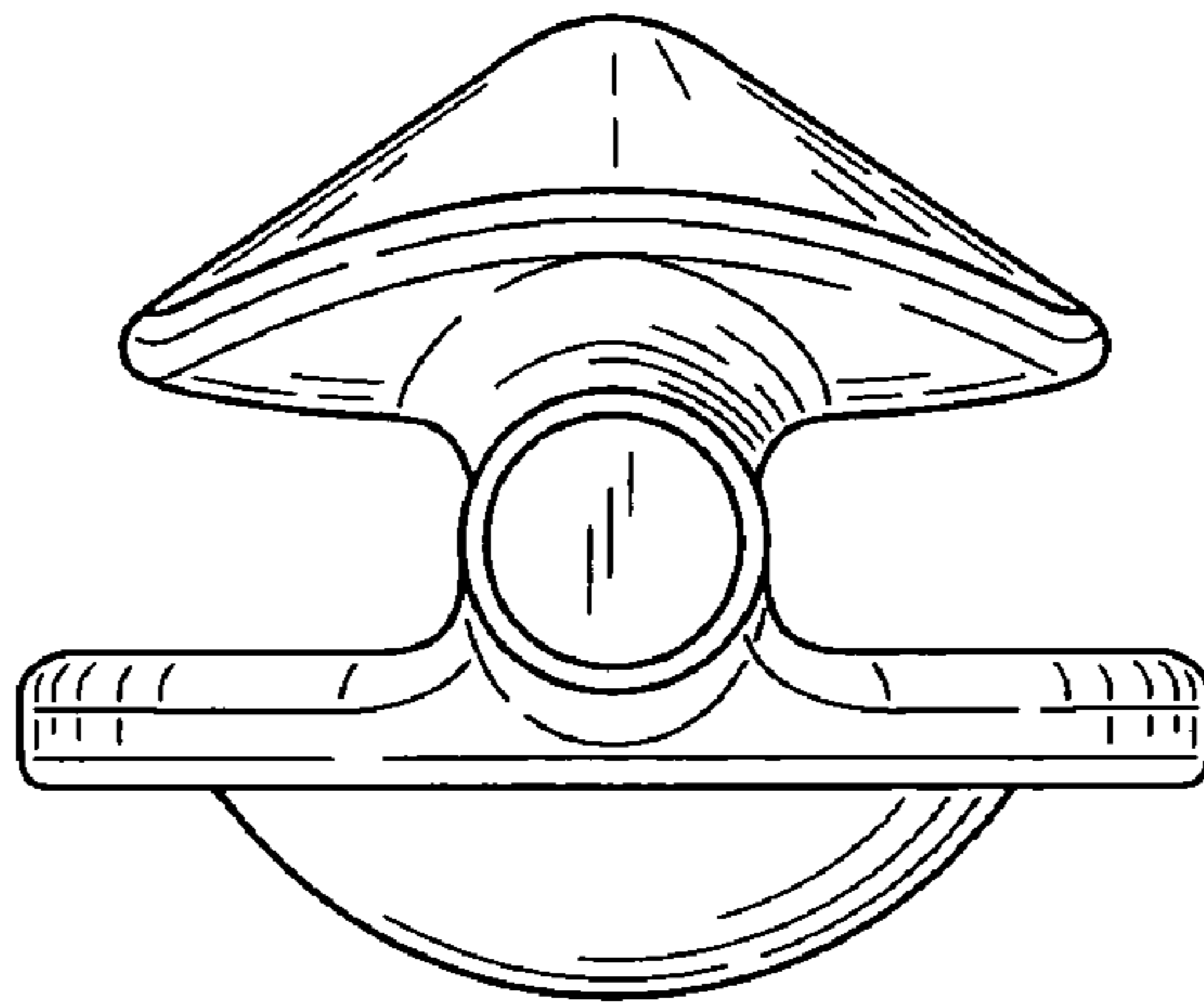
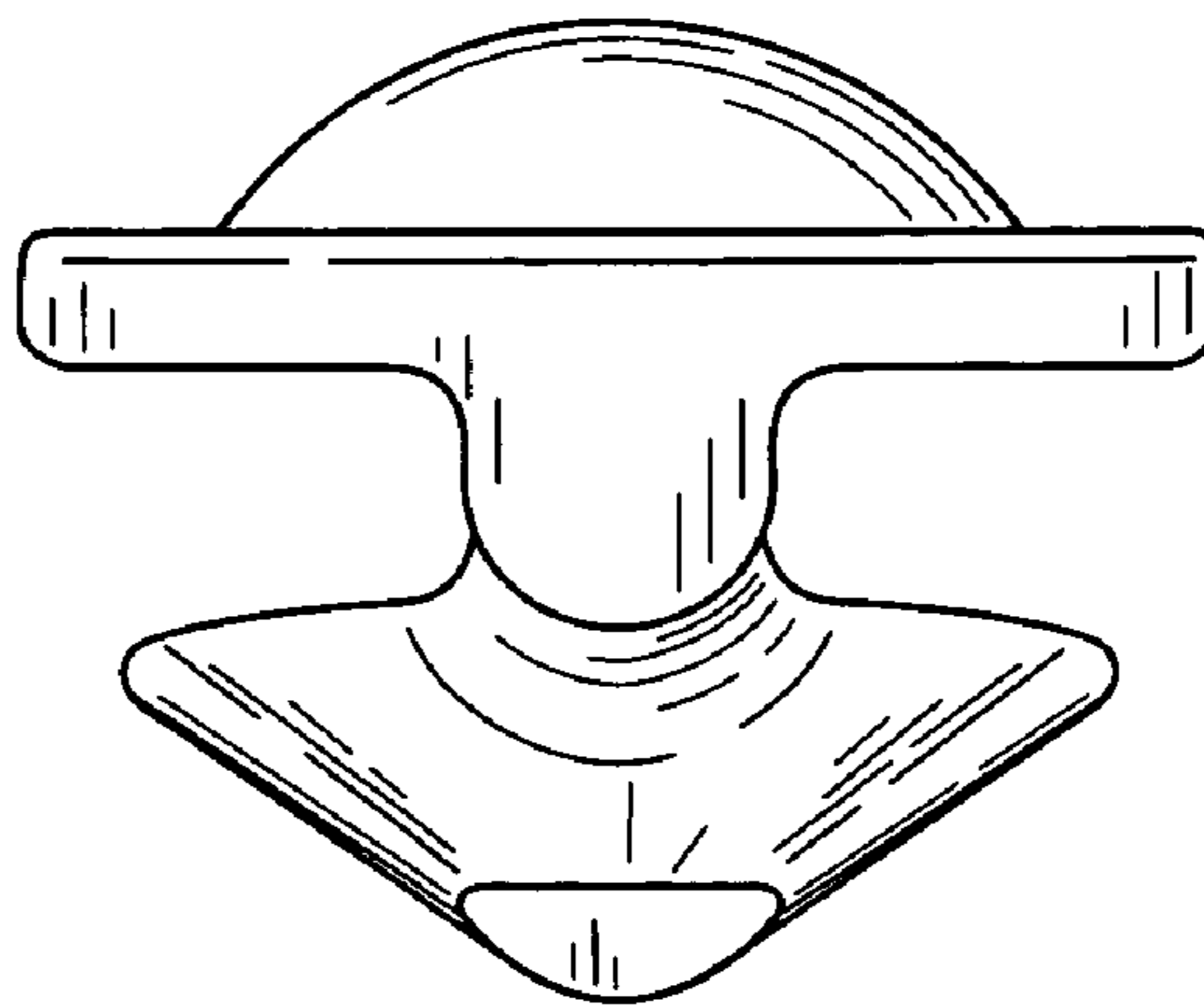


FIG. 5



**FIG. 6**



**FIG. 7**