



US00D579554S

(12) **United States Design Patent**
Targell et al.

(10) **Patent No.:** **US D579,554 S**
(45) **Date of Patent:** **** Oct. 28, 2008**

(54) **SURGICAL INSTRUMENT**

(75) Inventors: **John Targell**, Kilmarnock (GB); **Iain D. McNeil**, West Sussex (GB); **Jerry Donnan**, Edinburgh (GB)

(73) Assignee: **Medical Device Innovations Ltd.** (GB)

(**) Term: **14 Years**

(21) Appl. No.: **29/284,372**

(22) Filed: **Sep. 6, 2007**

(30) **Foreign Application Priority Data**

Mar. 14, 2007 (EM) 692181

(51) **LOC (8) Cl.** **24-02**

(52) **U.S. Cl.** **D24/112**

(58) **Field of Classification Search** D24/112-114,
D24/130, 133, 186, 146-148, 138; 606/181,
606/185; 604/232, 187, 163, 207, 208, 227,
604/229

See application file for complete search history.

(56) **References Cited**

U.S. PATENT DOCUMENTS

3,057,350	A	10/1962	Cowley	128/214
5,336,195	A	8/1994	Daneshvar et al.	604/179
5,527,276	A	6/1996	Bruce et al.	604/54
D392,037	S *	3/1998	Musgrave et al.	D24/112
D425,619	S *	5/2000	Bierman	D24/130
D430,290	S *	8/2000	Cindrich et al.	D24/112
D451,599	S *	12/2001	Crawford et al.	D24/112
D451,600	S *	12/2001	Crawford et al.	D24/130
D451,601	S *	12/2001	Crawford et al.	D24/130
D536,787	S *	2/2007	Rehbein et al.	D24/133
D536,790	S *	2/2007	Michel et al.	D24/138
D540,468	S *	4/2007	Mori	D24/130

D548,340	S *	8/2007	Michel et al.	D24/138
D549,824	S *	8/2007	Sauer	D24/146
D558,339	S *	12/2007	Christopher et al.	D24/130
D559,980	S *	1/2008	Rehbein et al.	D24/133

FOREIGN PATENT DOCUMENTS

EM	000545546-0001	7/2006
EM	000545546-0002	7/2006
EP	0 943 356	9/1999
WO	93/00943	1/1993
WO	99/55407	11/1999
WO	2006/090148	8/2006

* cited by examiner

Primary Examiner—Louis S Zarfaz

Assistant Examiner—David G Muller

(74) *Attorney, Agent, or Firm*—Marshall Gerstein & Borun LLP

(57) **CLAIM**

The ornamental design for a “surgical instrument,” as shown and described.

DESCRIPTION

FIG. 1 is a perspective view of a surgical instrument showing our new design;

FIG. 2 is a magnified perspective view thereof;

FIG. 3 is a side view of the surgical instrument;

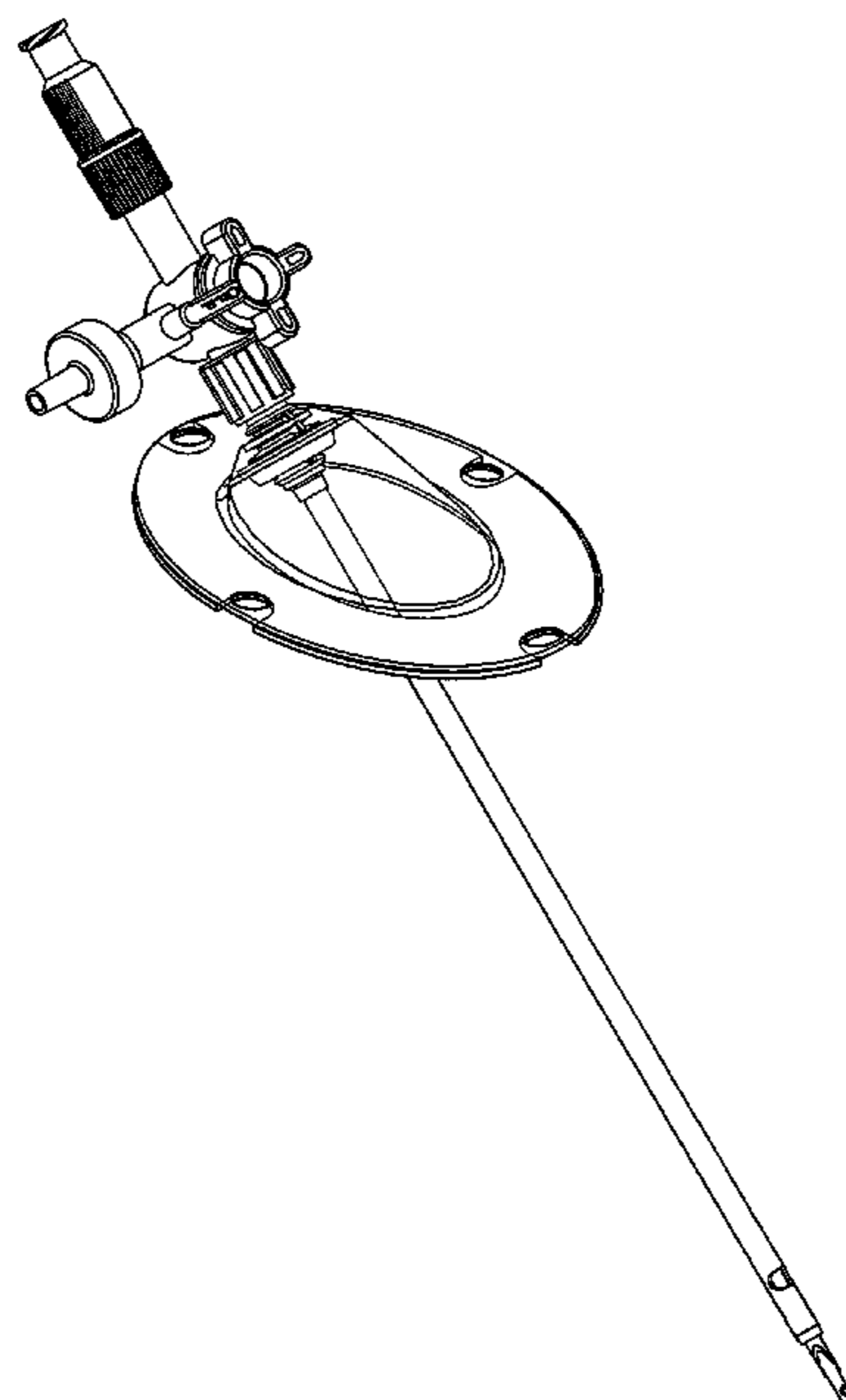
FIG. 4 is a view of the surgical instrument rotated 90° from the view of FIG. 3;

FIG. 5 is a view of the surgical instrument rotated 180° from the view of FIG. 4;

FIG. 6 is a top plan view thereof; and,

FIG. 7 is a bottom plan view thereof.

1 Claim, 7 Drawing Sheets



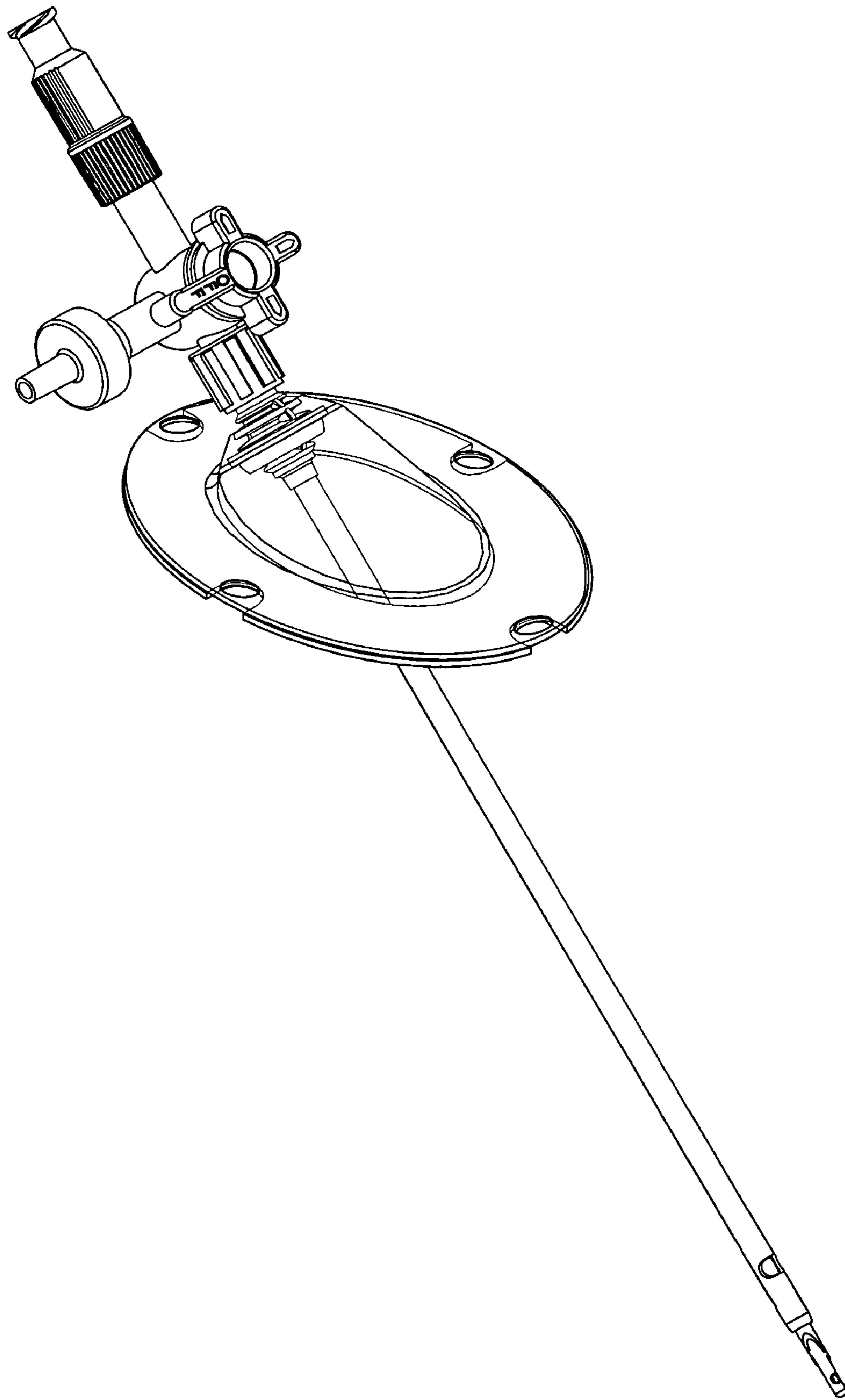


Fig. 1

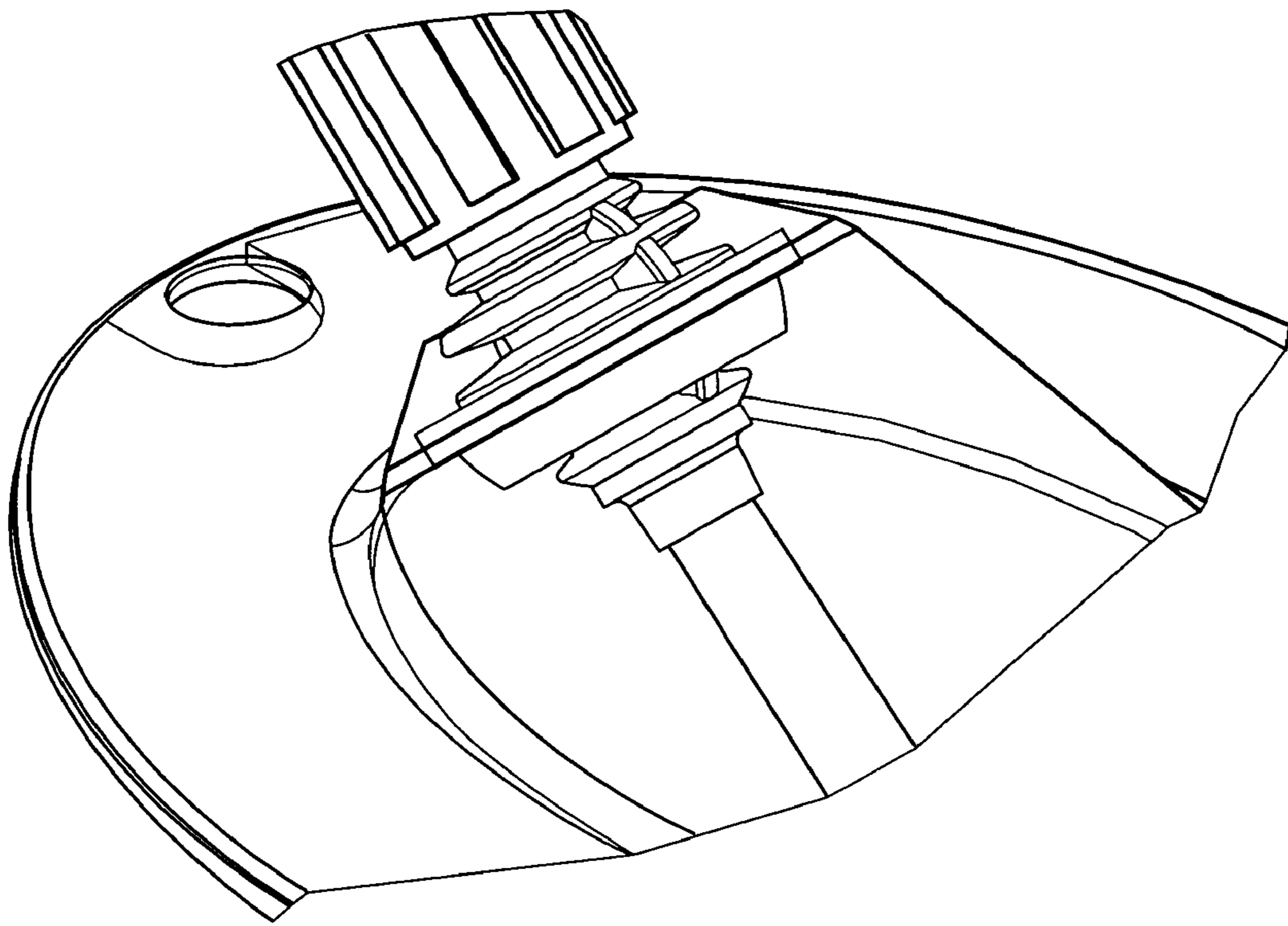


Fig. 2

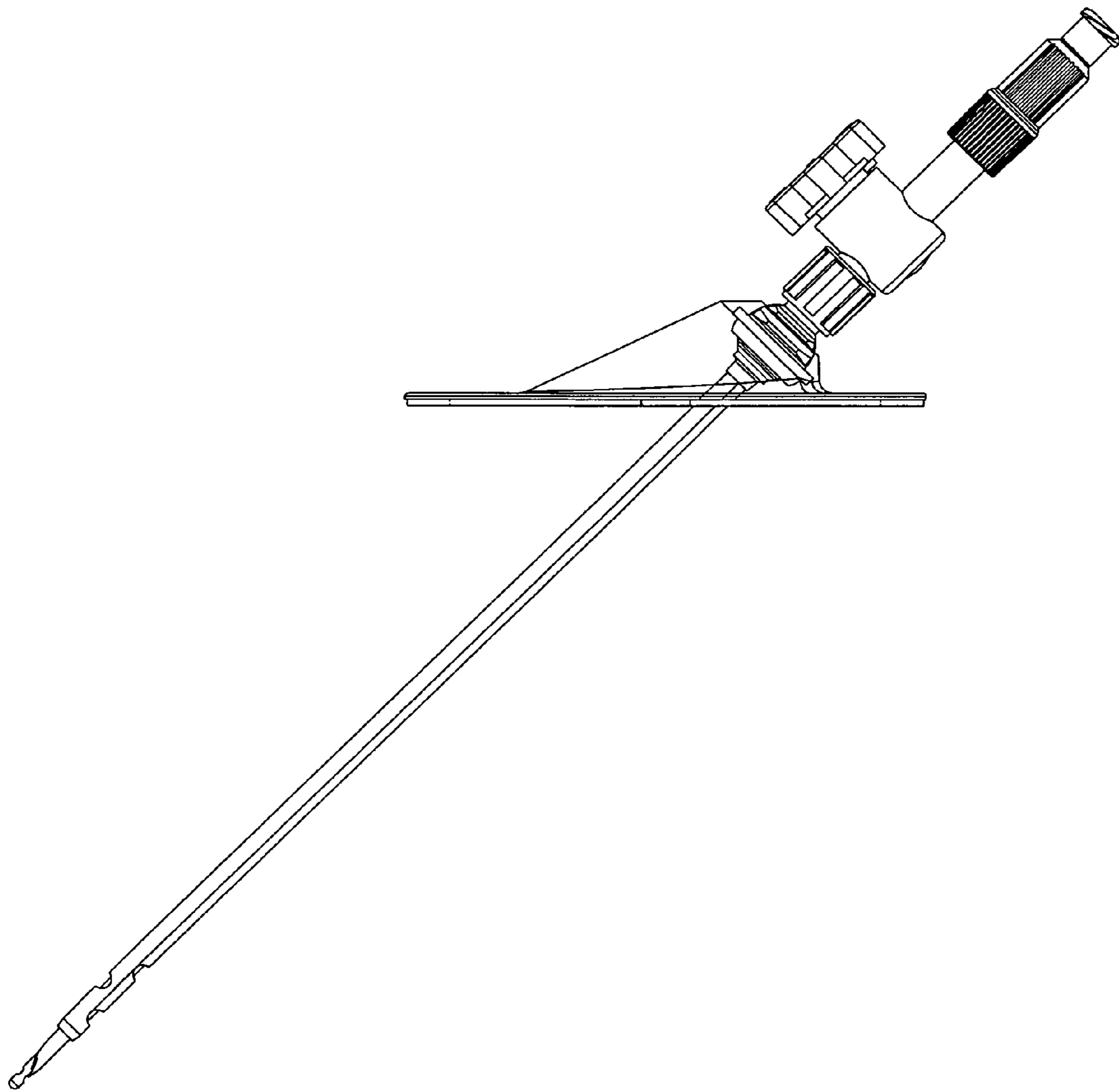


Fig. 3

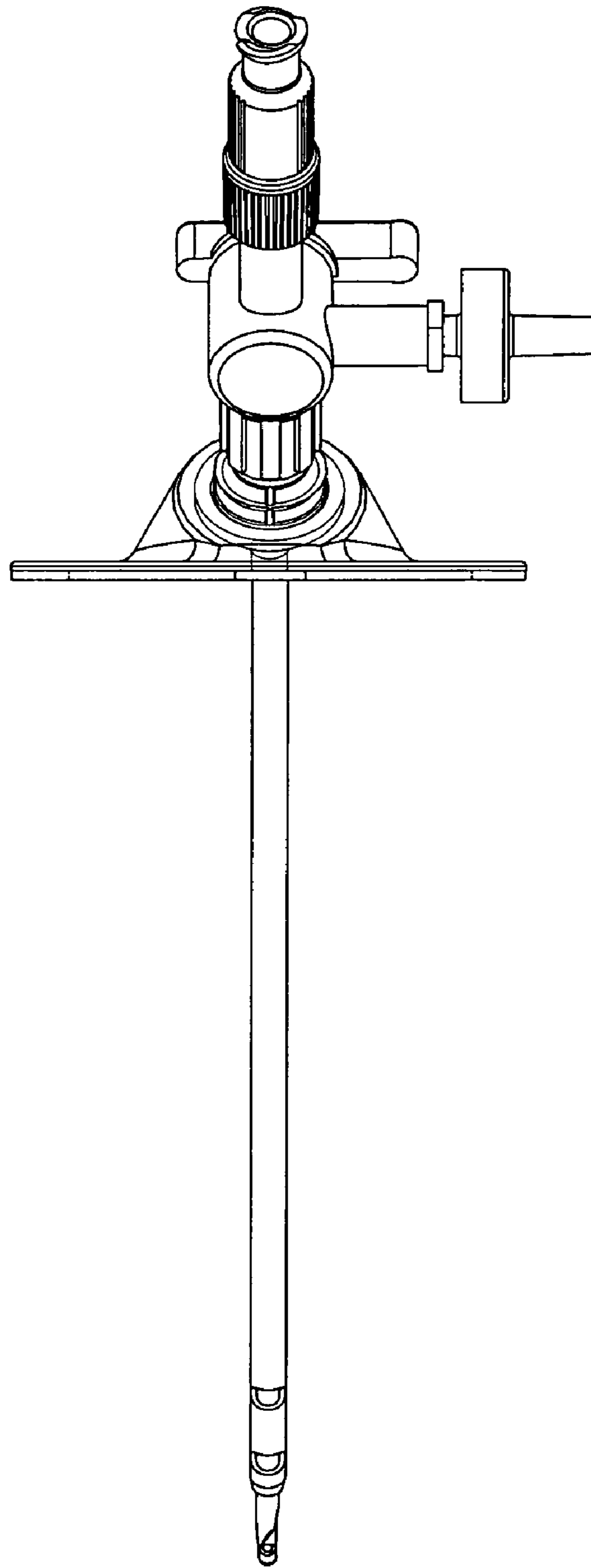


Fig. 4

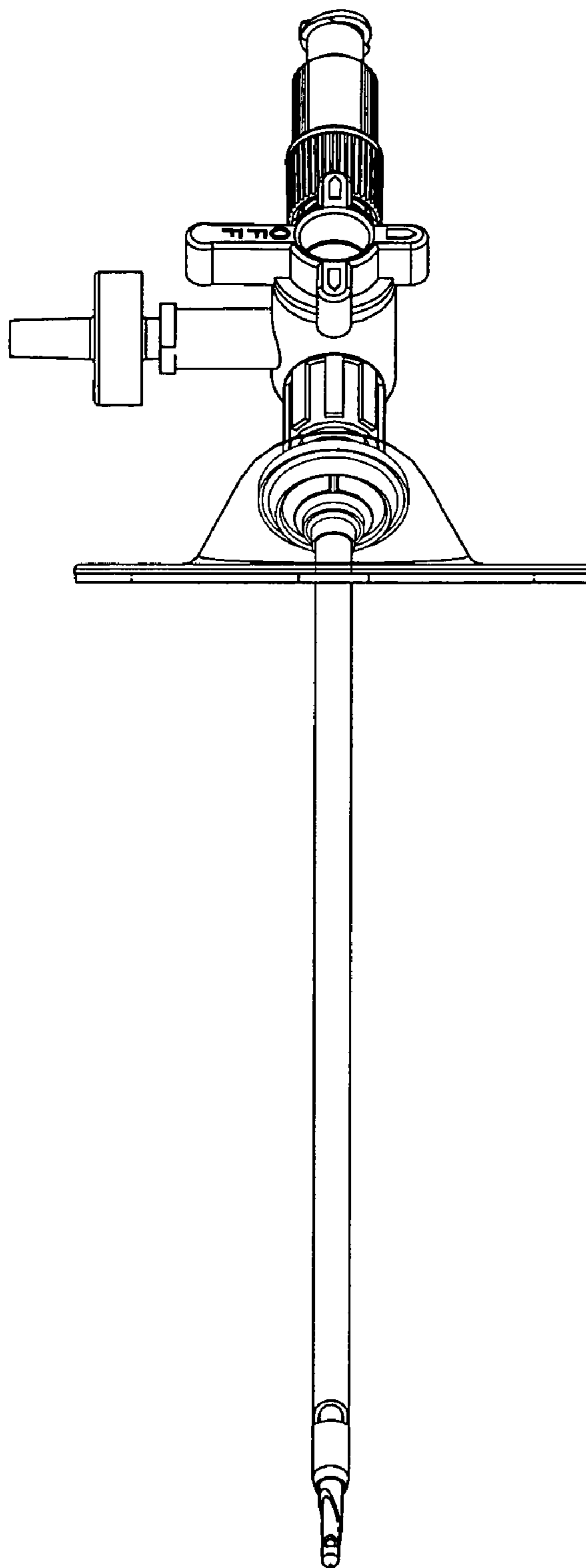


Fig. 5

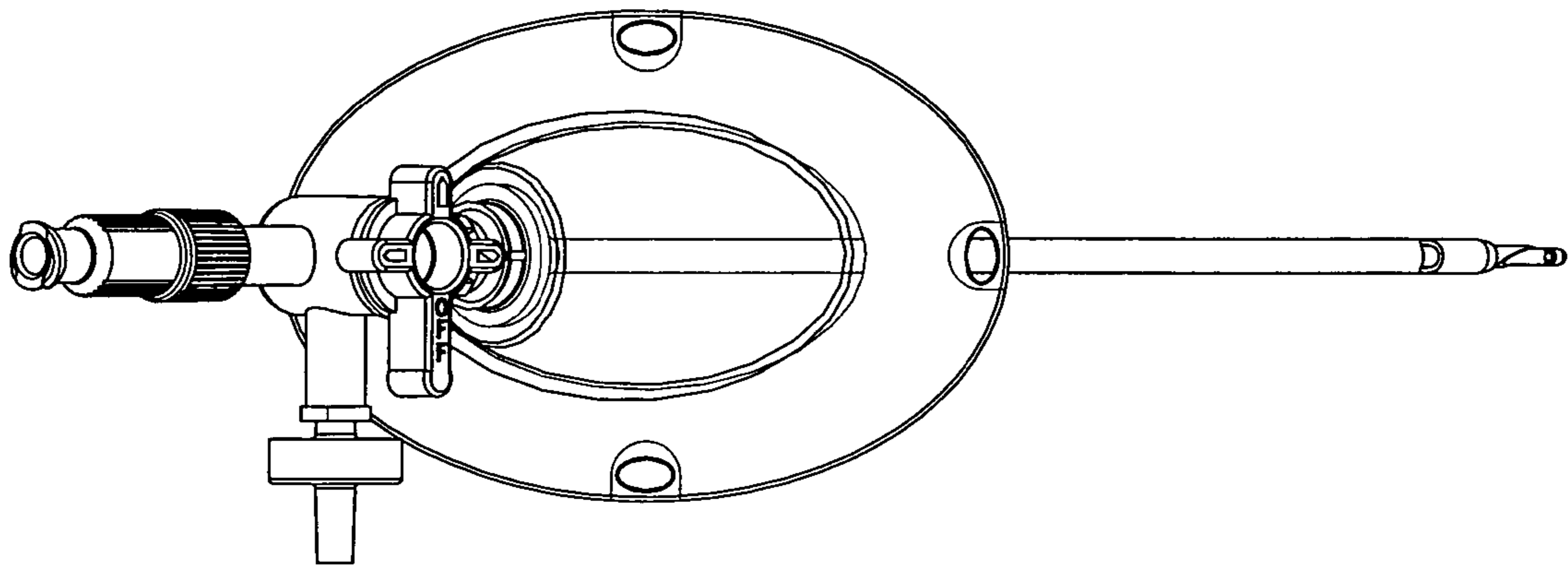


Fig. 6

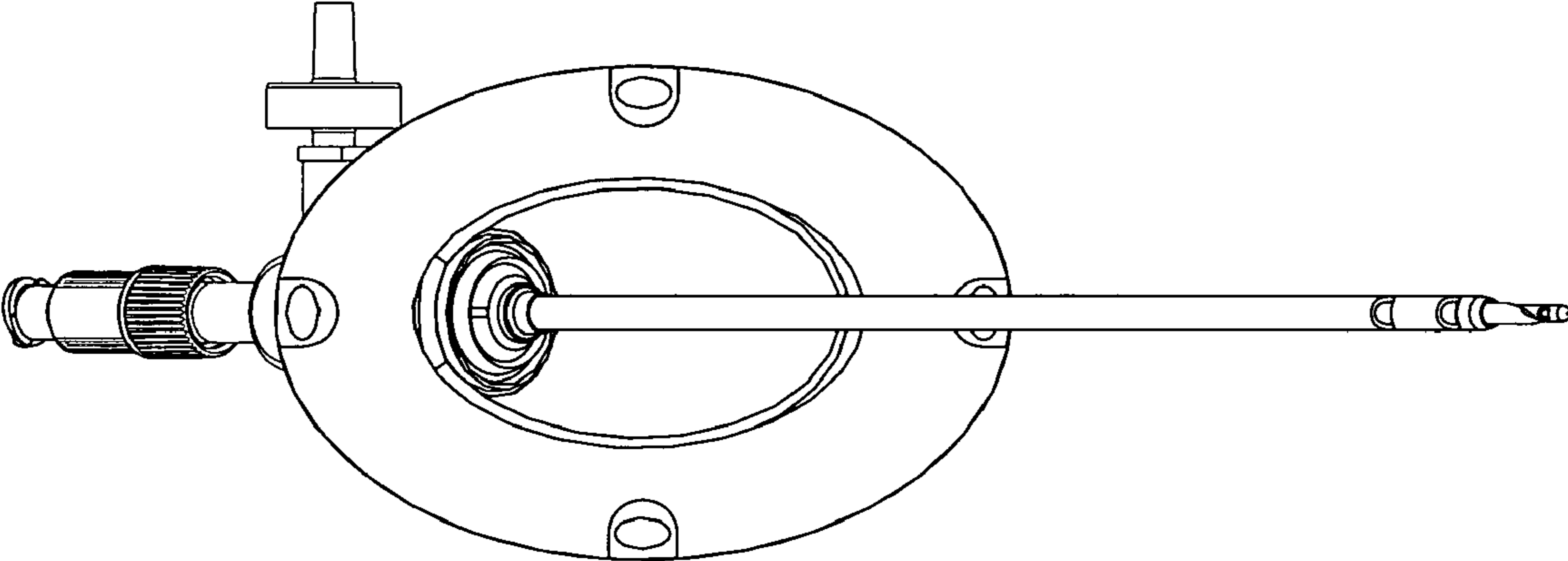


Fig. 7