



US00D579553S

(12) **United States Design Patent**
Crnkovich et al.

(10) **Patent No.:** **US D579,553 S**
(45) **Date of Patent:** **** Oct. 28, 2008**

(54) **DIALYSIS MACHINE KIT CAPTURE CASSETTE**

(75) Inventors: **Martin Joseph Crnkovich**, Walnut Creek, CA (US); **Lynn E. Jensen**, Syracuse, UT (US); **Melvin D. Jensen**, West Haven, UT (US); **Deloy Lindley**, North Ogden, UT (US); **Mohsen Reihanifam**, Rancho Sante Fe, CA (US); **Colin Weaver**, Pleasanton, CA (US)

(73) Assignee: **Fresenius Medical Care Holdings, Inc.**, Waltham, MA (US)

(**) Term: **14 Years**

(21) Appl. No.: **29/284,996**

(22) Filed: **Sep. 19, 2007**

(51) **LOC (8) Cl.** **24-02**

(52) **U.S. Cl.** **D24/111**

(58) **Field of Classification Search** D24/111, D24/169, 186; 604/28, 29, 30, 34, 151, 153, 604/118, 4.11, 6.01; 210/645, 646; 417/163, 417/477.2; 128/DIG. 12, DIG. 13
See application file for complete search history.

(56) **References Cited**

U.S. PATENT DOCUMENTS

D196,409 S * 9/1963 Lerman D24/111
D267,037 S * 11/1982 Spranger et al. D24/169
4,370,983 A 2/1983 Lichtenstein
4,762,620 A * 8/1988 Sama 210/646

D331,799 S * 12/1992 Kramer et al. D24/111
D342,312 S * 12/1993 Pastrone et al. D24/111
5,482,440 A * 1/1996 Dennehey et al. 417/63
7,195,607 B2 * 3/2007 Westberg et al. 604/6.11
7,278,981 B2 * 10/2007 Ellingboe et al. 604/4.01
D556,909 S * 12/2007 Reihanifam et al. D24/169
D557,803 S * 12/2007 Muri et al. D24/111
2003/0102264 A1 * 6/2003 Pope et al. 210/646
2004/0069709 A1 * 4/2004 Brugger et al. 210/646
2005/0230292 A1 10/2005 Beden et al.

* cited by examiner

Primary Examiner—Ian Simmons

Assistant Examiner—Carissa C Fitts

(74) *Attorney, Agent, or Firm*—Fish & Richardson P.C.

(57) **CLAIM**

The ornamental design for a dialysis machine kit capture cassette, as shown and described.

DESCRIPTION

FIG. 1 is a front perspective view of a dialysis machine kit capture cassette showing our new design;

FIG. 2 is a front view thereof;

FIG. 3 is a rear view thereof;

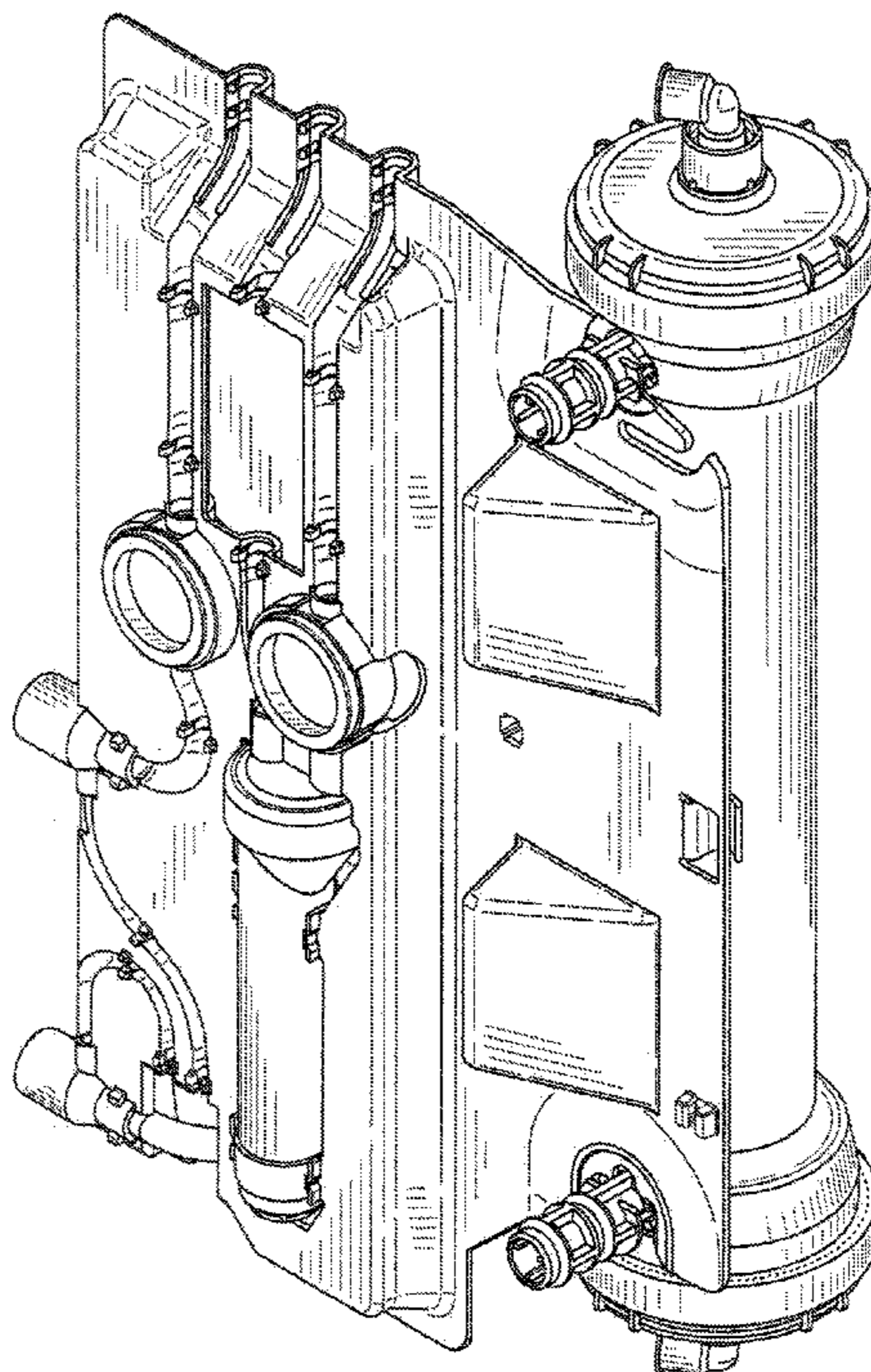
FIG. 4 is a side view thereof;

FIG. 5 is an opposite side view thereof of FIG. 4;

FIG. 6 is a bottom plan view thereof; and,

FIG. 7 is a top plan view thereof.

1 Claim, 5 Drawing Sheets



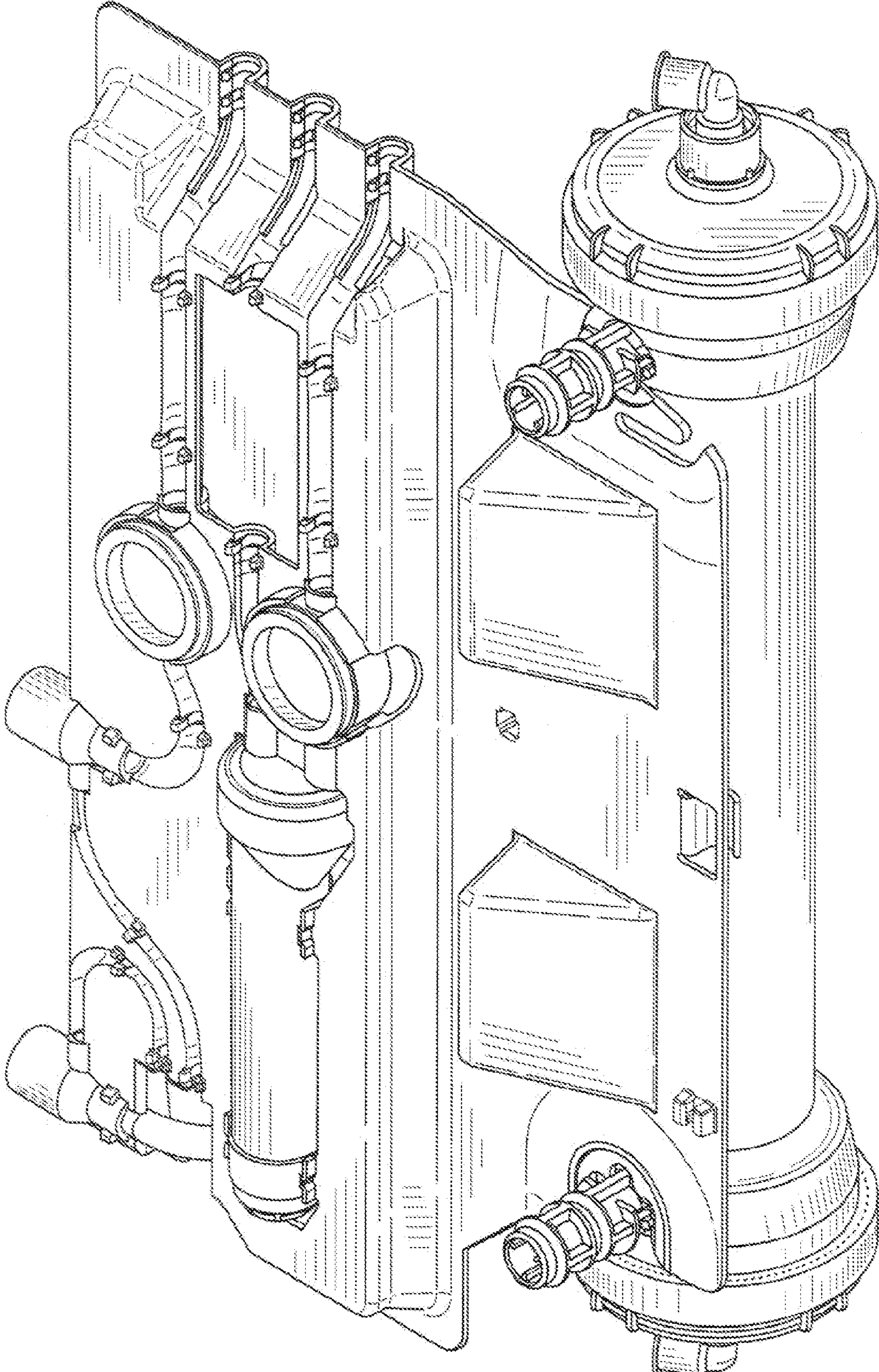


FIG. 1

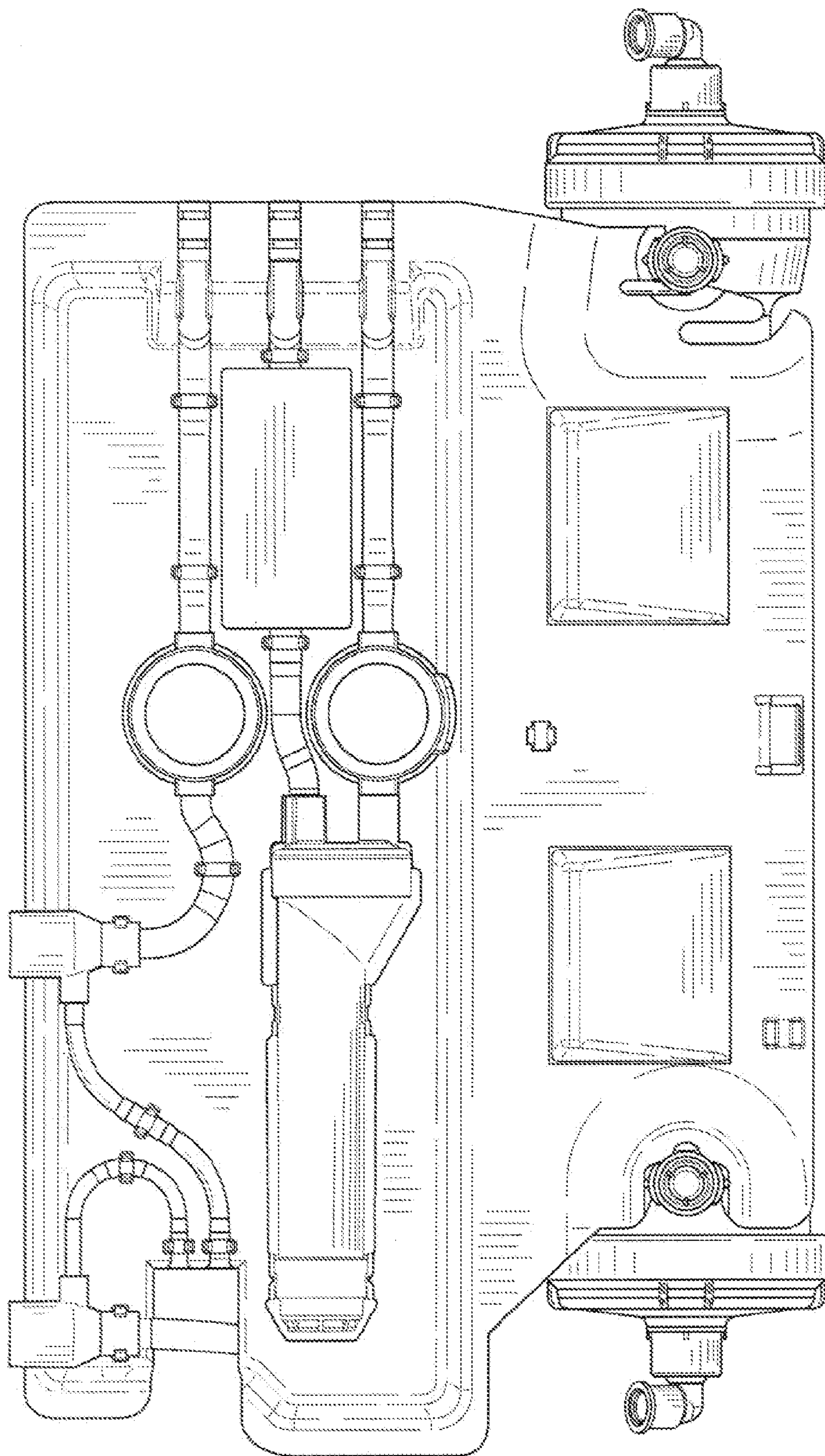


FIG. 2

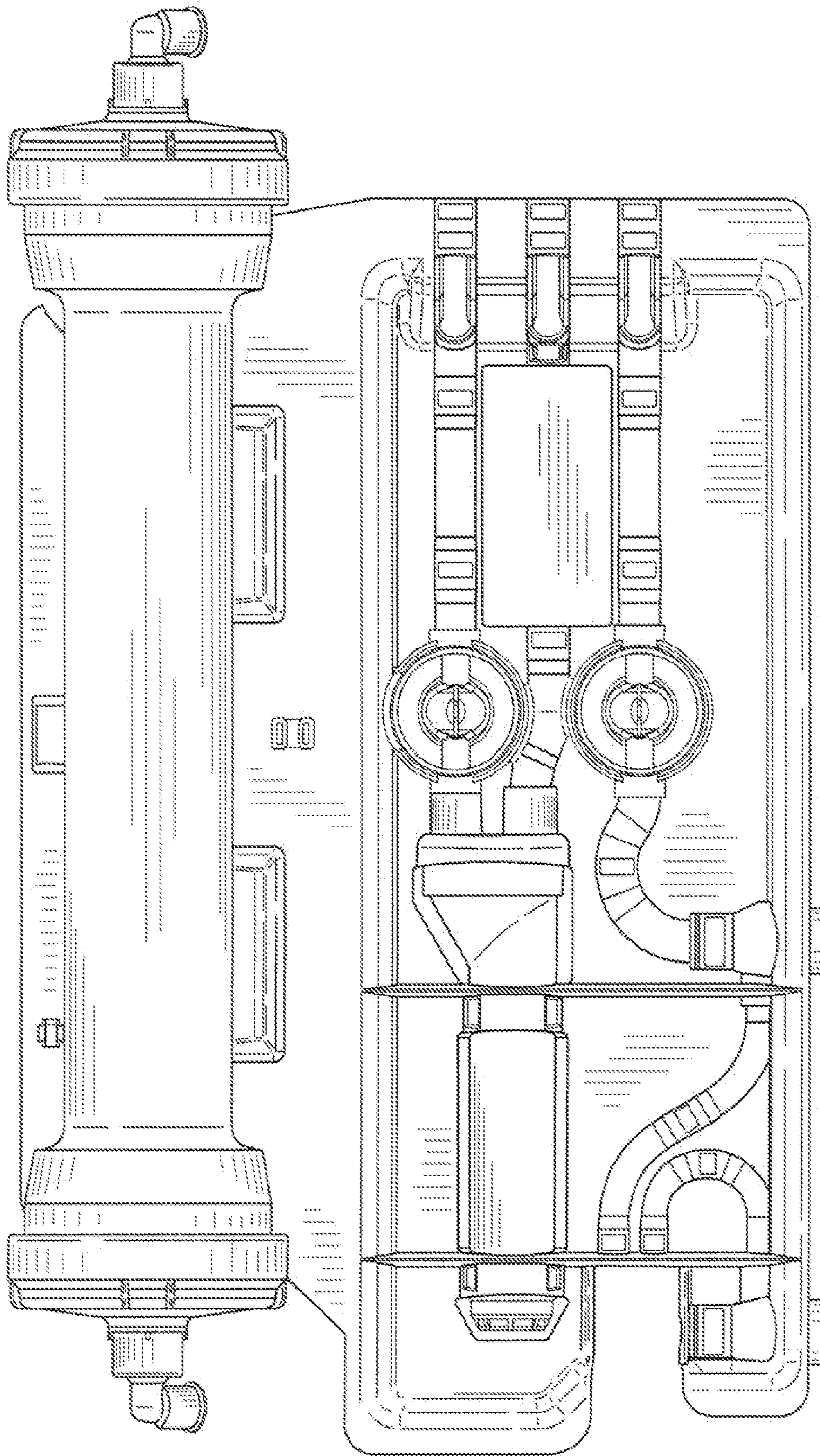


FIG. 3

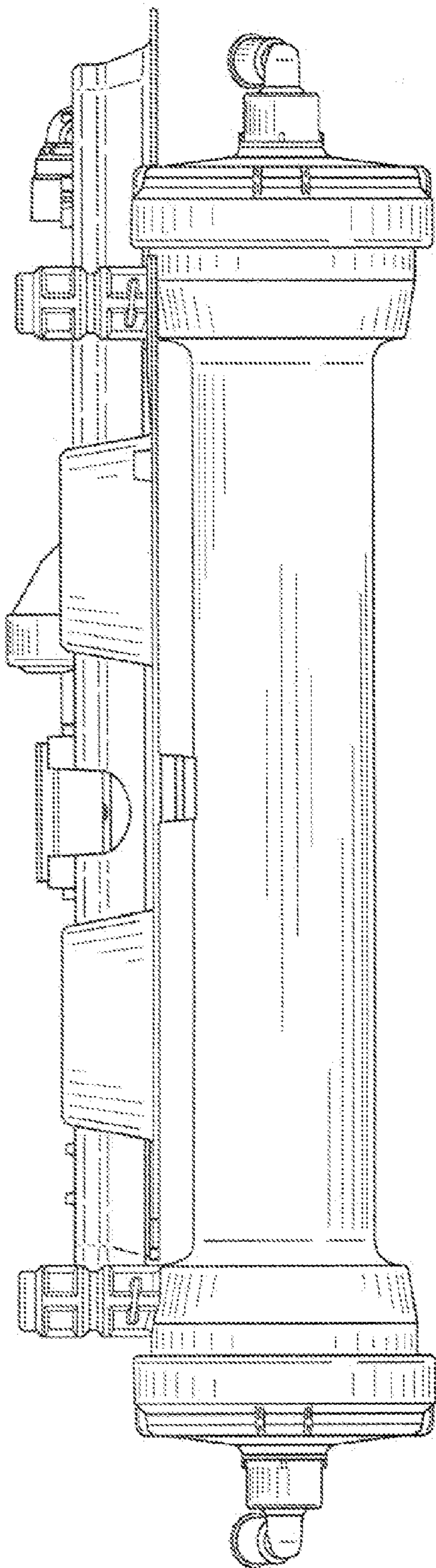


FIG. 4

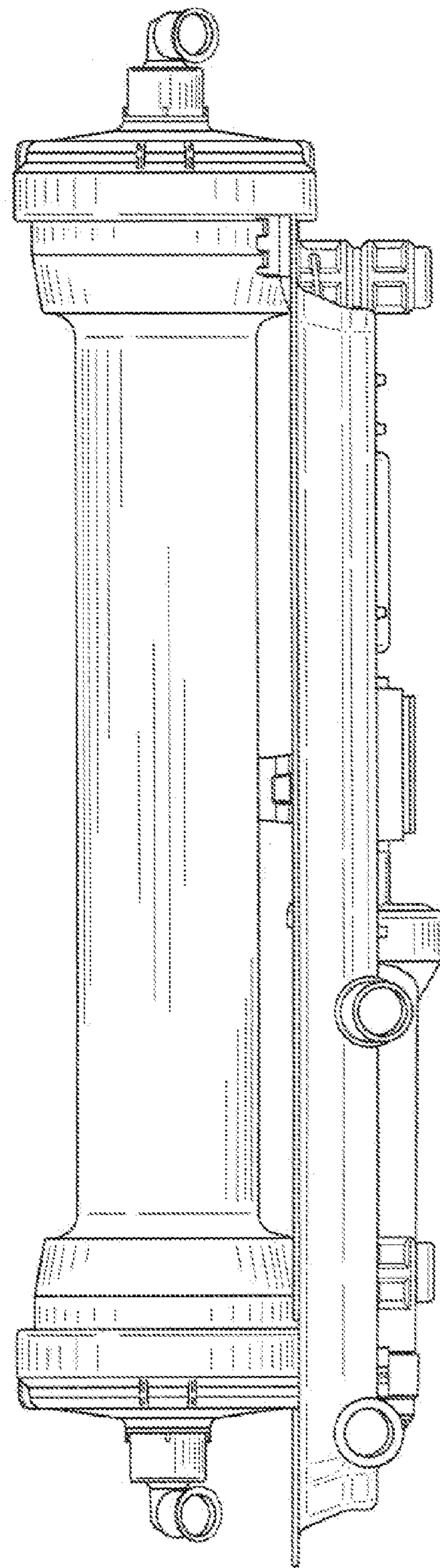


FIG. 5

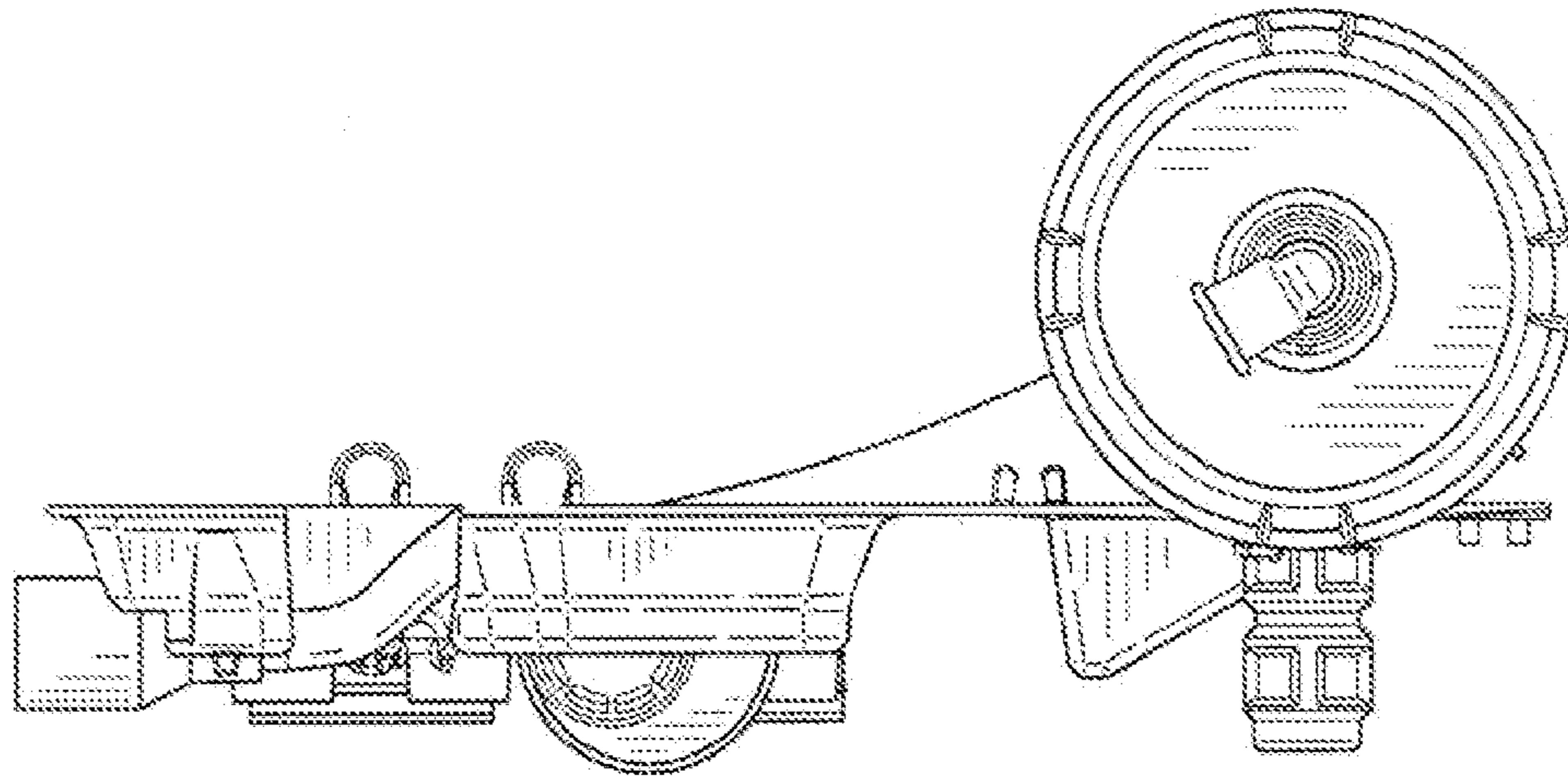


FIG. 6

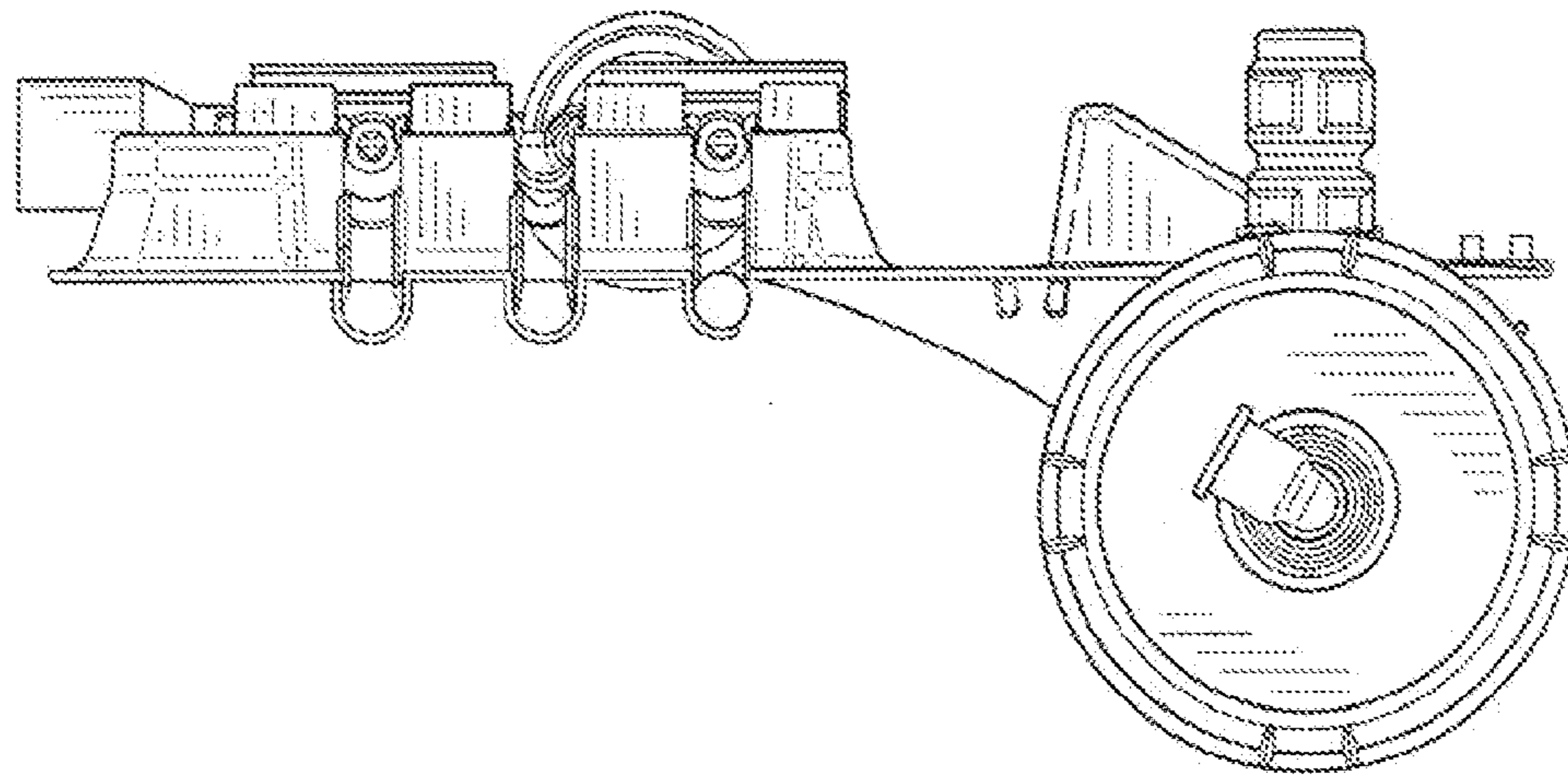


FIG. 7