



US00D579552S

(12) **United States Design Patent**  
**Oldenburg et al.**

(10) **Patent No.:** **US D579,552 S**  
(45) **Date of Patent:** **\*\* Oct. 28, 2008**

(54) **PORTION OF AN ANTI-ASPHYXIA VALVE FOR A RESPIRATORY MASK**

6,342,661 B1 \* 1/2002 Flamm ..... 84/322  
D468,823 S 1/2003 Smart  
D496,098 S 9/2004 Guney et al.  
D531,314 S 10/2006 Atkinson et al.

(75) Inventors: **Alison Oldenburg**, Crows Nest (AU);  
**Steven John Lubke**, Stanmore (AU);  
**James William Charles Vandyke**,  
Belrose (AU); **David John Worboys**,  
Belrose (AU); **Susan Robyn Lynch**,  
Epping (AU)

**OTHER PUBLICATIONS**

Parent Application, Oldenburg et al., U.S. Appl. No. 29/251,715, filed Jan. 12, 2006.

\* cited by examiner

*Primary Examiner*—Charles A. Rademaker

*Assistant Examiner*—Christopher Lee

(74) *Attorney, Agent, or Firm*—Nixon & Vanderhye P.C.

(73) Assignee: **Resmed Limited**, Bella Vista (AU)

(\*\*) Term: **14 Years**

(21) Appl. No.: **29/273,858**

(22) Filed: **Mar. 15, 2007**

**Related U.S. Application Data**

(63) Continuation of application No. 29/251,715, filed on Jan. 12, 2006, now Pat. No. Des. 542,408.

(51) **LOC (8) Cl.** ..... **29-02**

(52) **U.S. Cl.** ..... **D24/110.6**; D24/129

(58) **Field of Classification Search** ..... D24/110.1,  
D24/110.4–110.6, 180, 181, 176; D13/123;  
D17/20, 99; 128/205.25, 206.21, 206.26,  
128/206.27, 207.11, 207.13, 207.17; 433/37,  
433/43; 84/320, 321, 322

See application file for complete search history.

(56) **References Cited**

**U.S. PATENT DOCUMENTS**

3,026,522 A 3/1962 Di Julio

(57) **CLAIM**

The ornamental design for a portion of an anti-asphyxia valve for a respiratory mask as shown and described.

**DESCRIPTION**

FIG. 1 is a front perspective view of a portion of an anti-asphyxia valve for a respiratory mask according to our design;

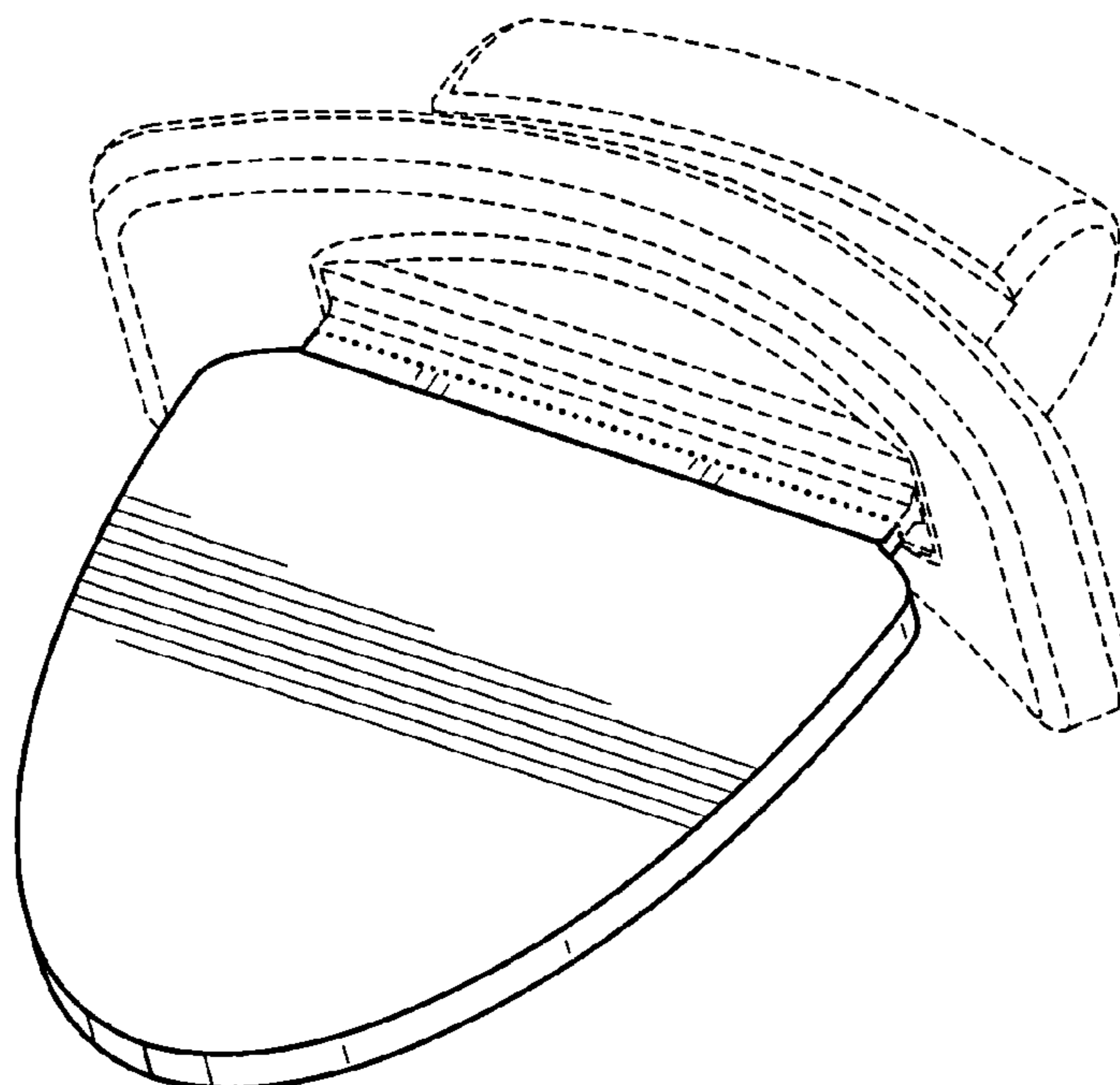
FIG. 2 is a front view thereof;

FIG. 3 is a left side view thereof with the right side view being a mirror image thereof; and,

FIG. 4 is a top view thereof with the bottom view being a mirror image thereof.

The broken lines shown in the drawings represent structural environment are for illustrative purposes only and form no part of the claimed design. The dotted lines represent the border between claimed and non-claimed subject matter and form no part of the claimed design.

**1 Claim, 3 Drawing Sheets**



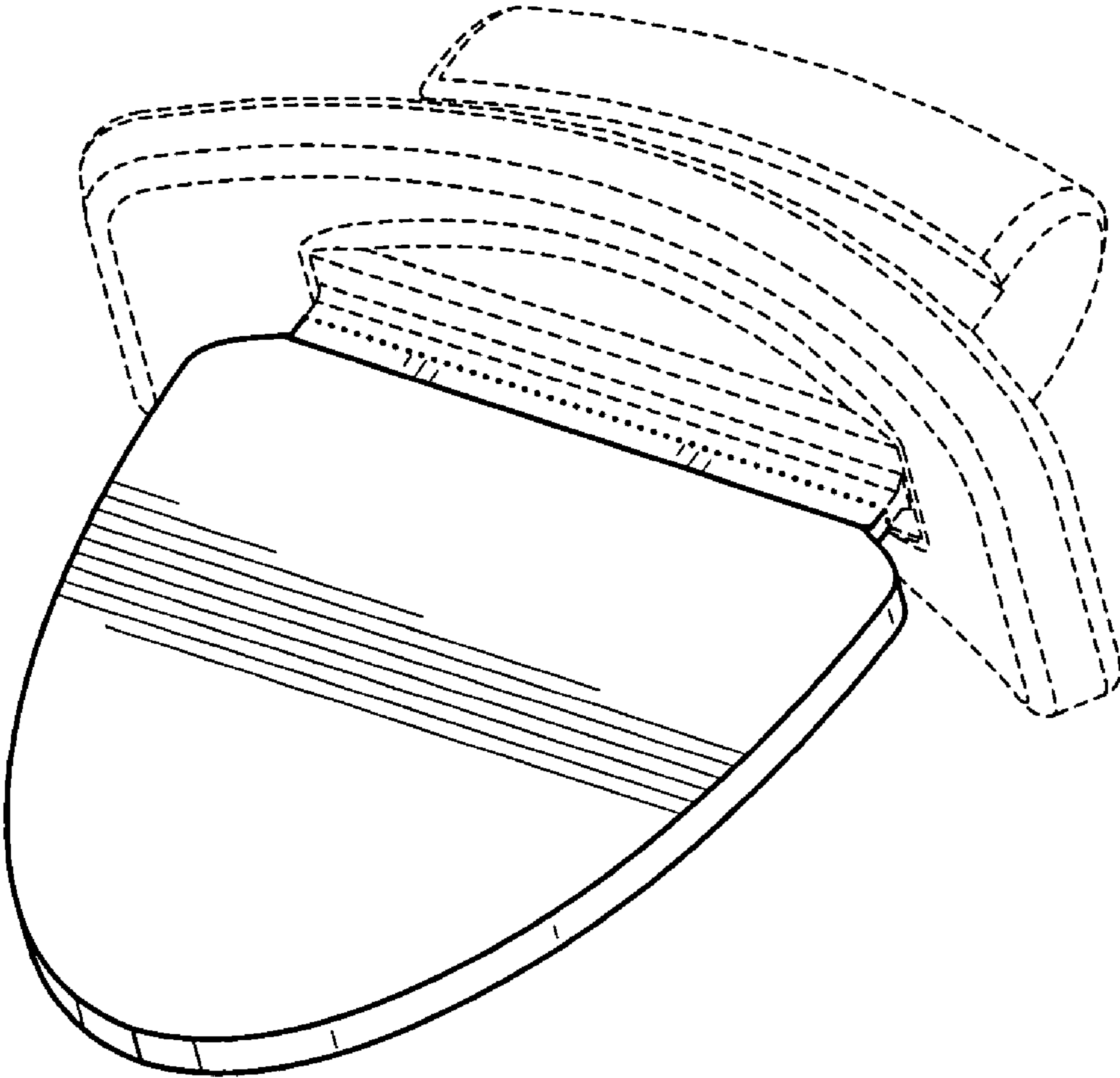


Fig. 1

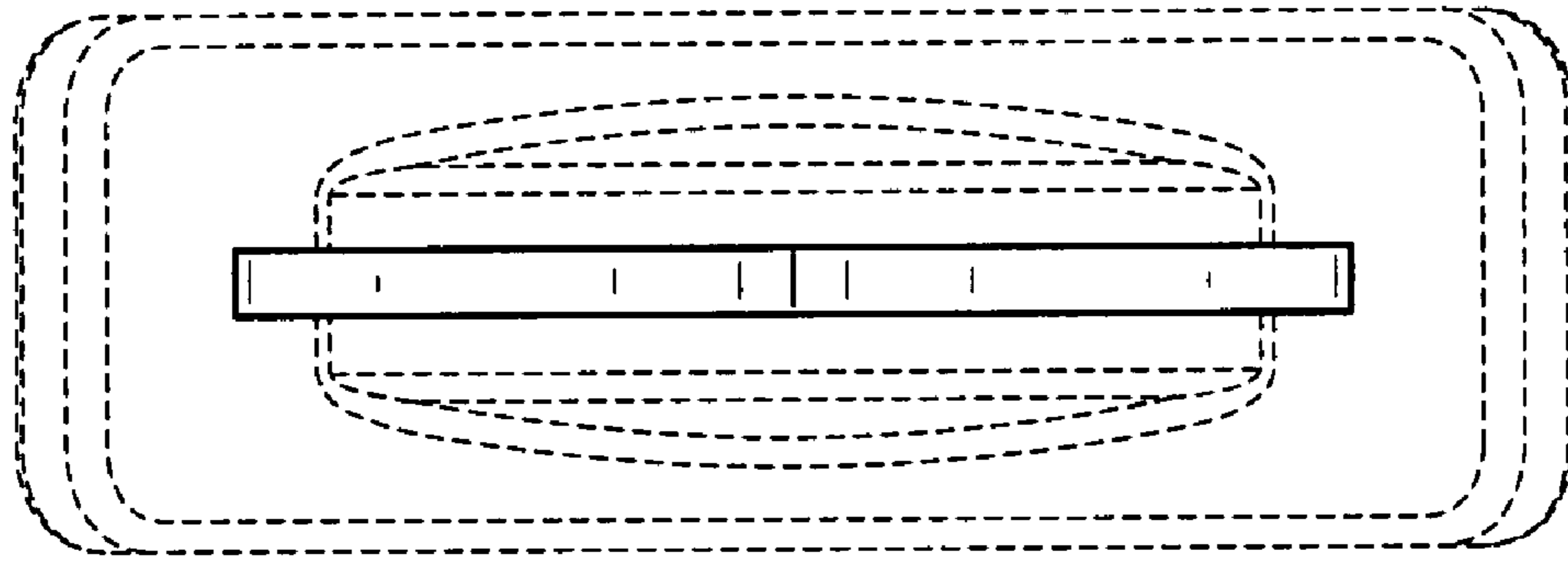


Fig. 2

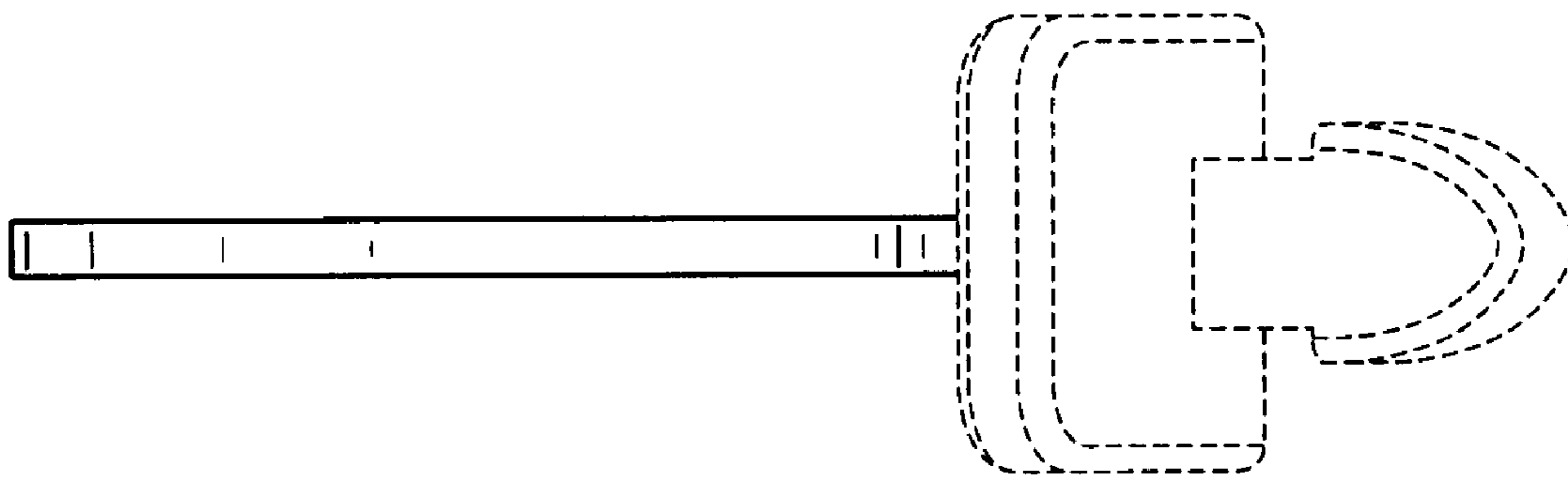


Fig. 3

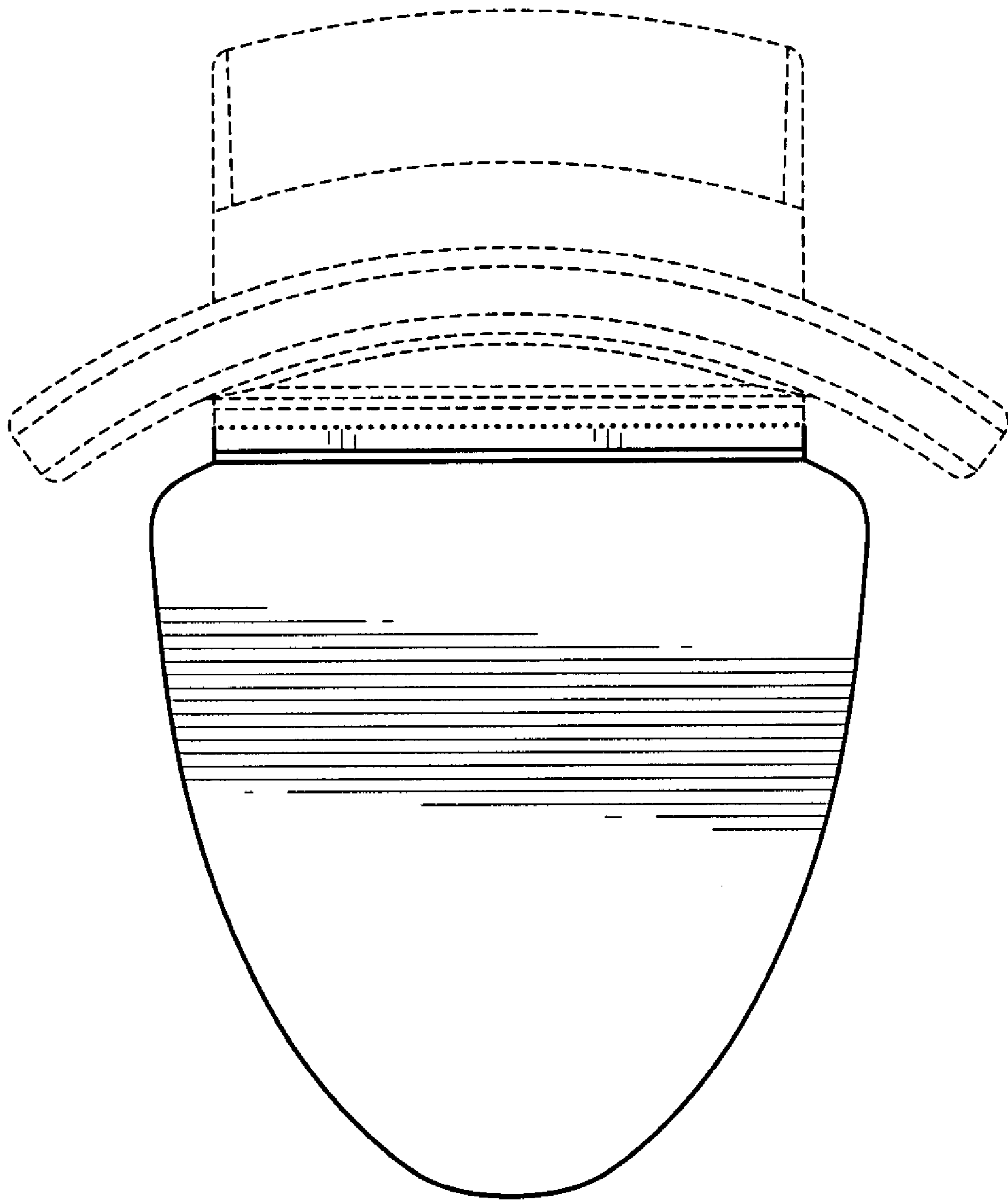


Fig. 4