



US00D579551S

(12) **United States Design Patent**
Ho et al.

(10) **Patent No.:** **US D579,551 S**
(45) **Date of Patent:** **** Oct. 28, 2008**

(54) **MULTI-CUSHION PATIENT INTERFACE**

2006/0249159 A1* 11/2006 Ho et al. 128/207.13
2007/0044797 A1* 3/2007 Ho 128/204.18

(75) Inventors: **Peter Chi Fai Ho**, Pittsburgh, PA (US);
Lance Busch, Trafford, PA (US)

* cited by examiner

(73) Assignee: **RIC Investments, LLC**, Wilmington,
DE (US)

Primary Examiner—Ian Simmons
Assistant Examiner—Christopher Lee
(74) *Attorney, Agent, or Firm*—Michael W. Haas

(**) Term: **14 Years**

(57) **CLAIM**

(21) Appl. No.: **29/267,741**

The ornamental design for a multi-cushion patient interface,
as shown and described.

(22) Filed: **Oct. 20, 2006**

(51) **LOC (8) Cl.** **29-02**

(52) **U.S. Cl.** **D24/110.1; D24/110.4**

(58) **Field of Classification Search** D24/110.1,
D24/110.4, 110.5; 128/205.25, 206.21, 206.24,
128/207.13

See application file for complete search history.

DESCRIPTION

FIG. 1 is a front perspective view of a multi-cushion patient
interface showing our new design;

FIG. 2 is a front elevational view thereof;

FIG. 3 is a rear perspective view thereof;

FIG. 4 is a top plan view thereof;

FIG. 5 is a bottom plan view thereof;

FIG. 6 is a left side elevational view thereof; and,

FIG. 7 is a right side elevational view.

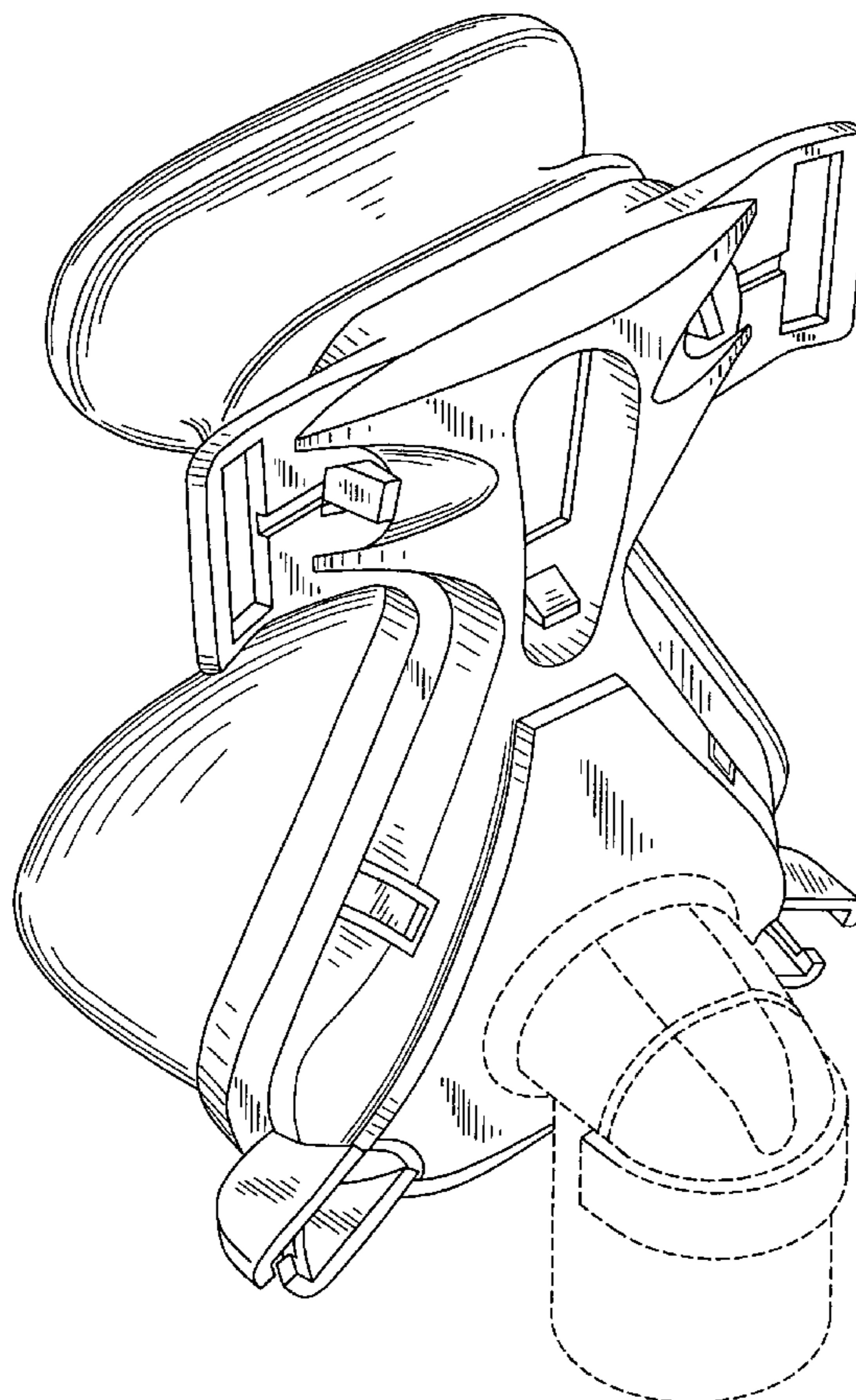
The portions drawn in broken lines are shown for illustrative
purposes only and form no part of the claimed design.

(56) **References Cited**

U.S. PATENT DOCUMENTS

- D468,823 S * 1/2003 Smart D24/110.1
- 7,287,528 B2 * 10/2007 Ho et al. 28/206.21
- D555,785 S * 11/2007 McAuley et al. D24/110.1
- 2005/0172969 A1 * 8/2005 Ging et al. 128/206.24
- 2006/0144399 A1 * 7/2006 Davidowski et al. ... 128/205.12

1 Claim, 7 Drawing Sheets



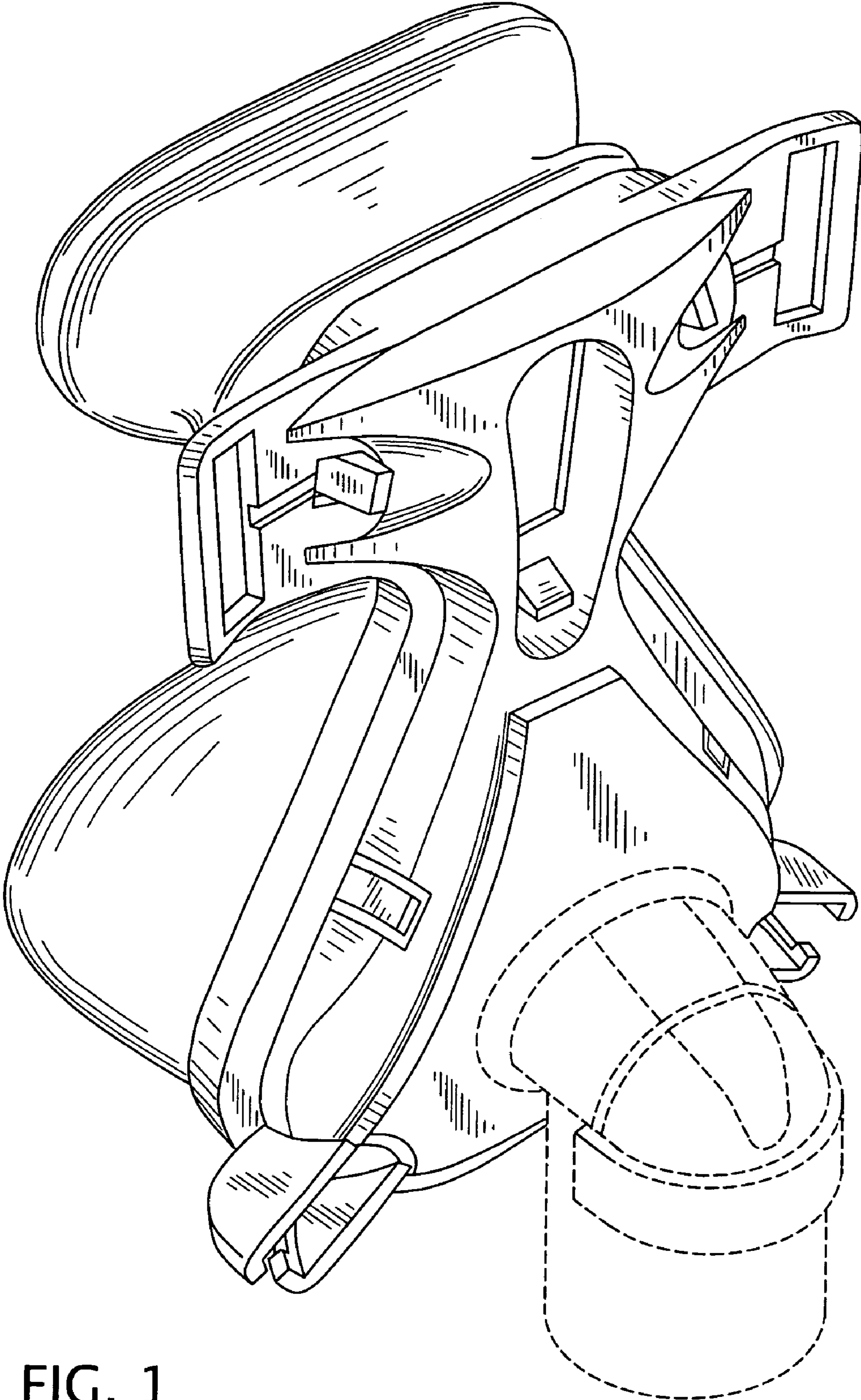


FIG. 1

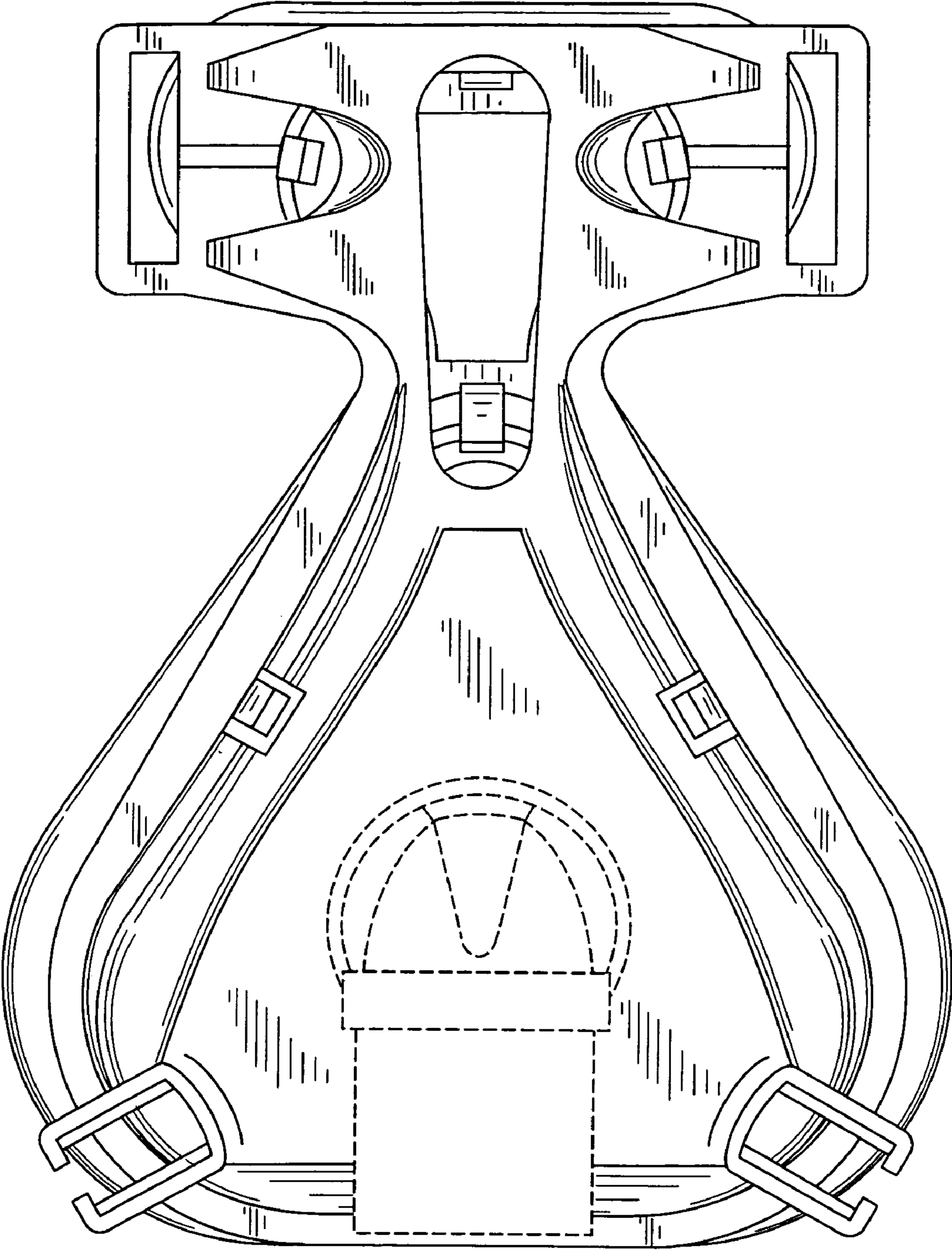


FIG. 2

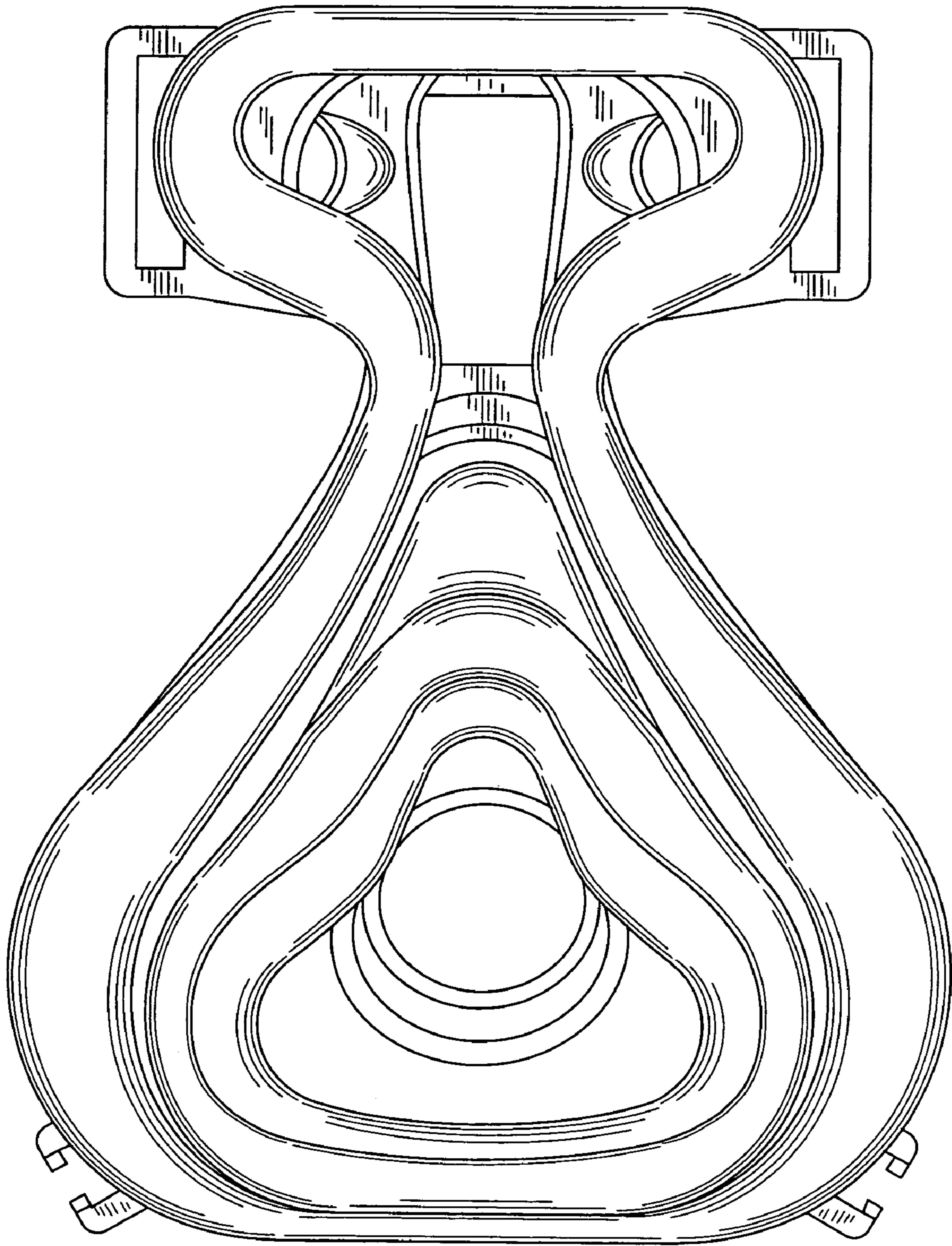


FIG. 3

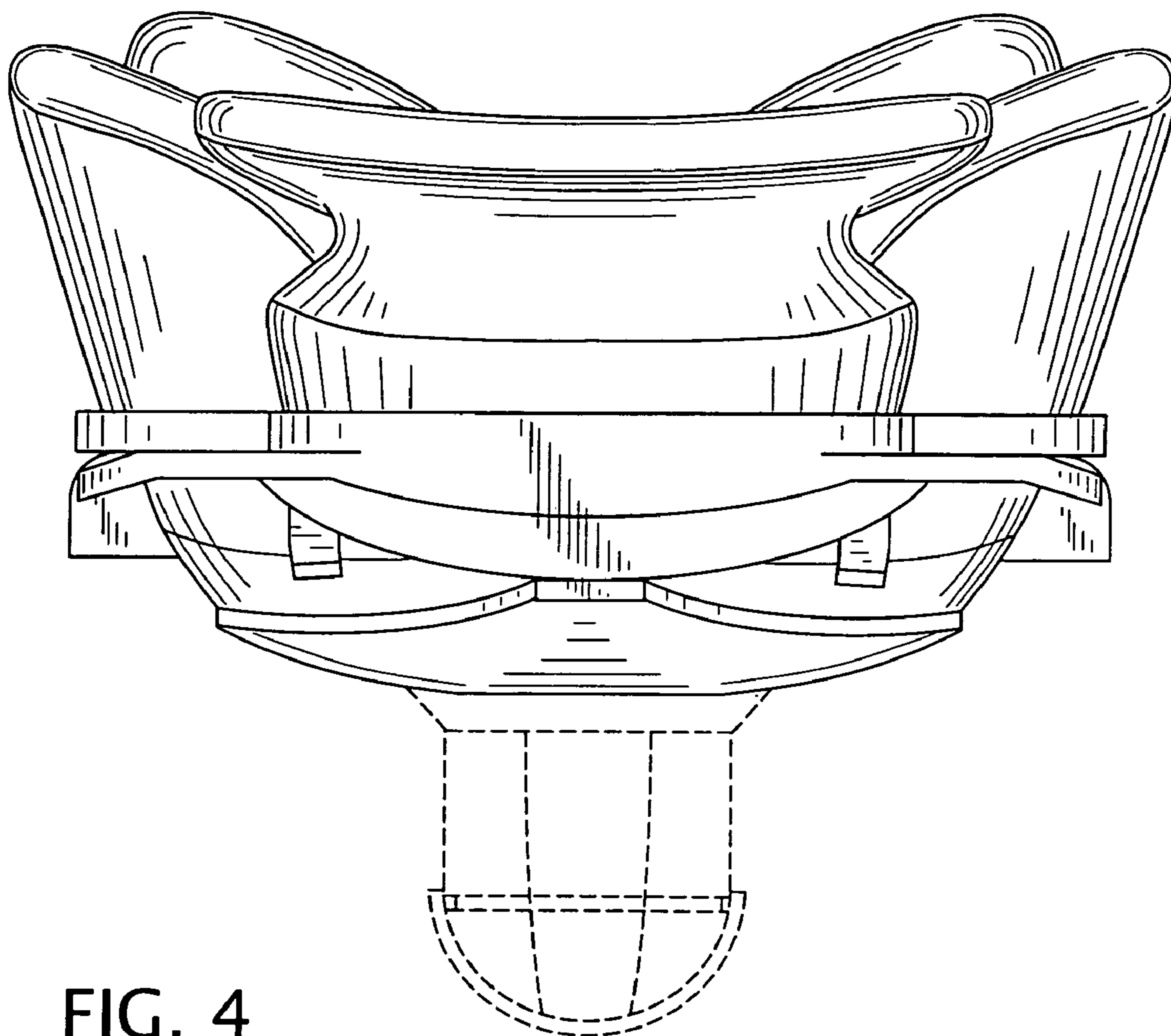


FIG. 4

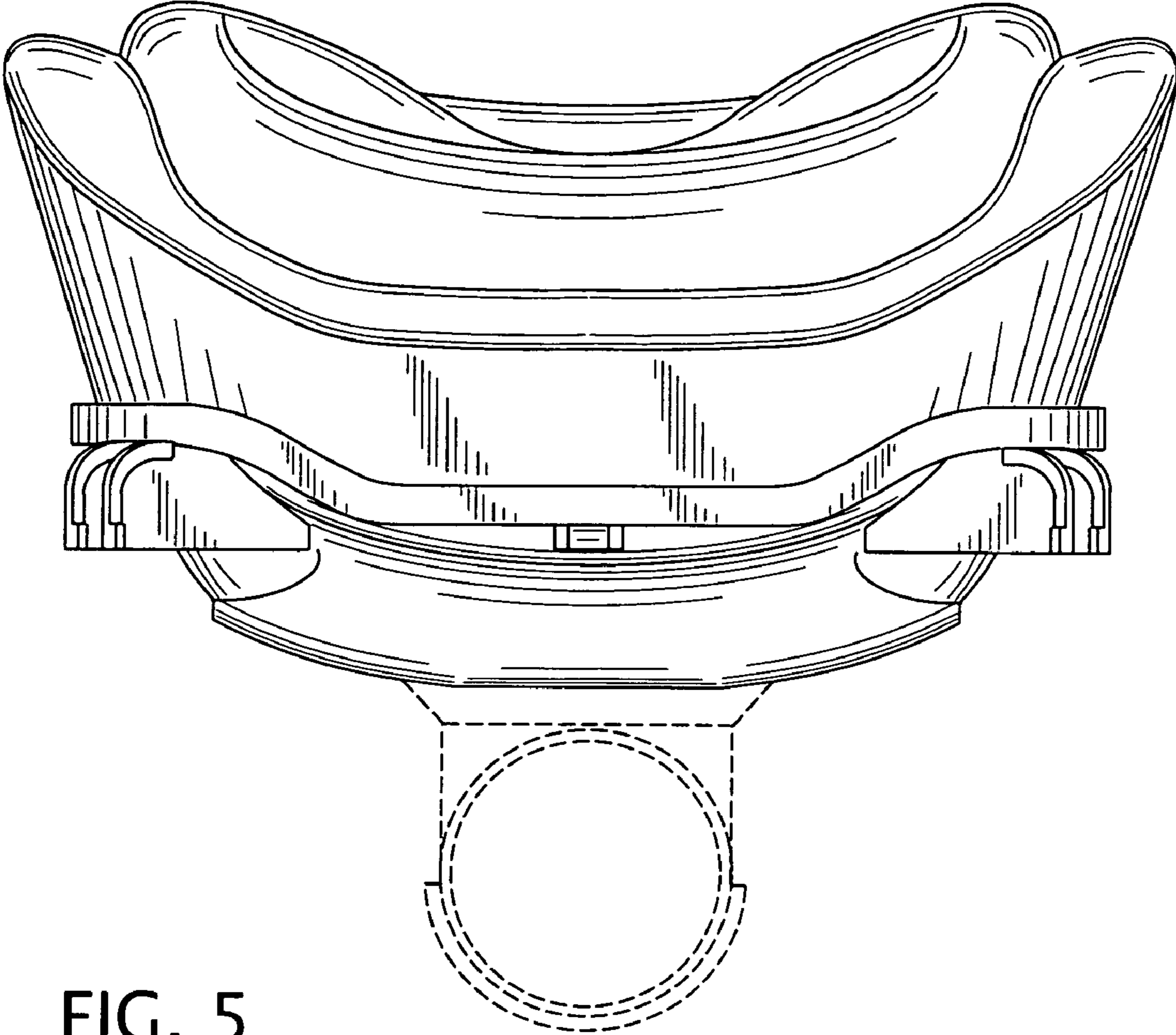


FIG. 5

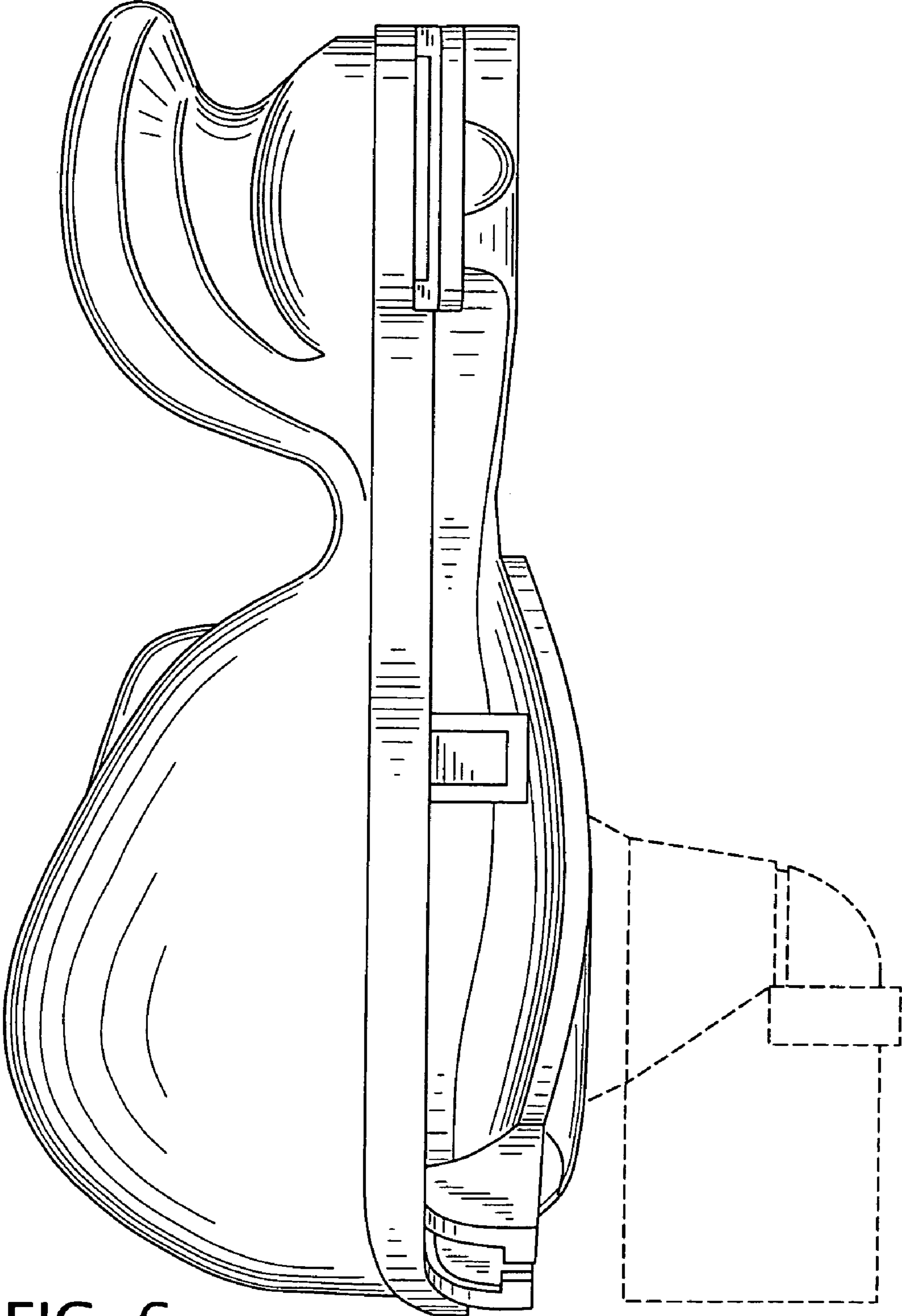


FIG. 6

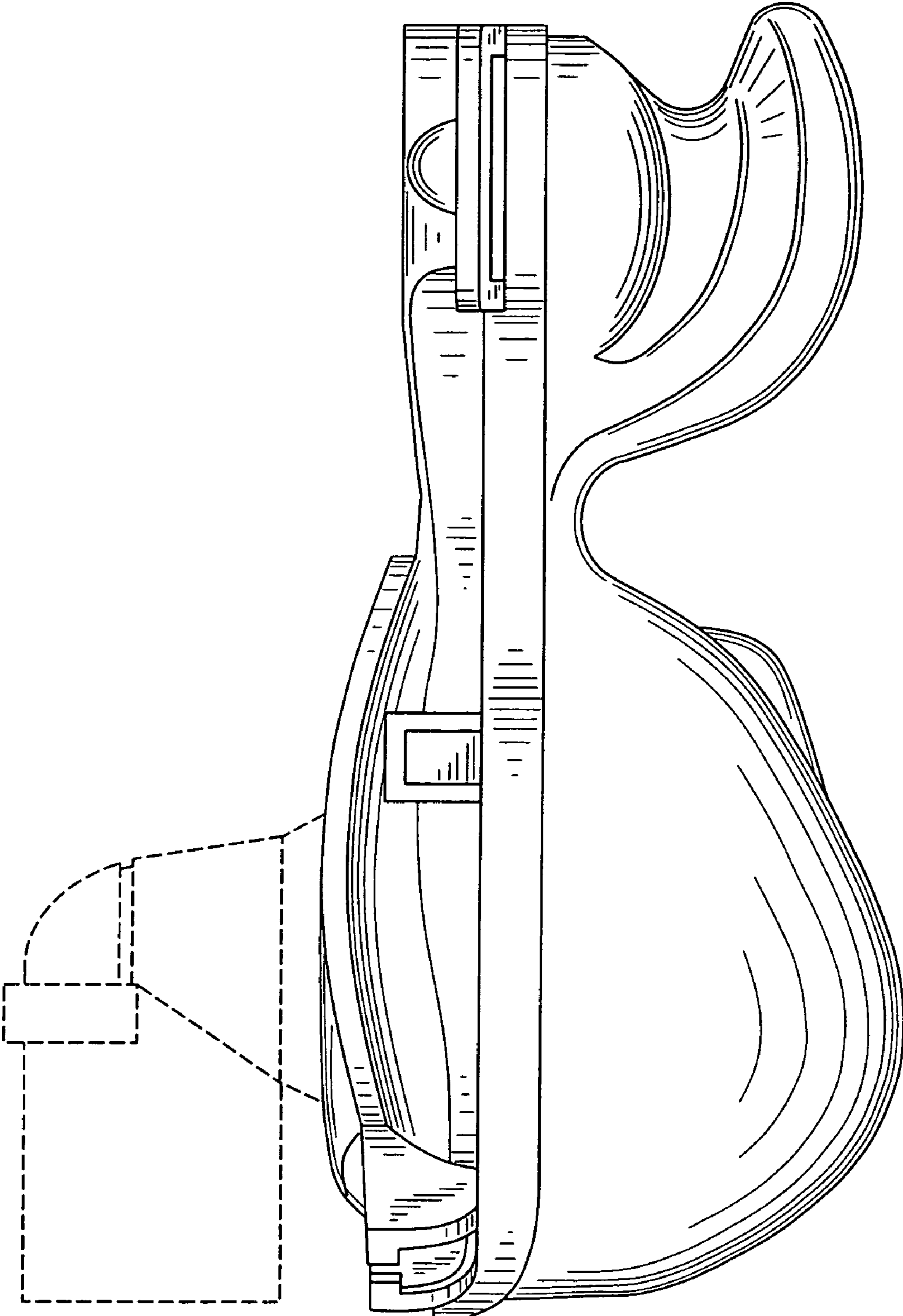


FIG. 7