



US00D579548S

(12) **United States Design Patent**
Birath et al.

(10) **Patent No.:** **US D579,548 S**
(45) **Date of Patent:** **** Oct. 28, 2008**

(54) **INHALER**

(75) Inventors: **Martin Birath**, Stockholm (SE); **Hans Himbert**, Stockholm (SE); **Sofia Jacobsson**, Bromma (SE); **Thomas Nilsson**, Bromma (SE); **Ulrika Vejbrink**, Hågersten (SE)

(73) Assignee: **Novartis AG**, Basel (CH)

(**) Term: **14 Years**

(21) Appl. No.: **29/292,810**

(22) Filed: **Oct. 29, 2007**

(30) **Foreign Application Priority Data**

Jun. 7, 2007 (EM) 000736962-0002

(51) **LOC (8) Cl.** **29-02**

(52) **U.S. Cl.** **D24/110**

(58) **Field of Classification Search** D24/110;
128/200.23, 203.15, 200.14, 203.23, 202.22,
128/200.12, 205.11, 200.21

See application file for complete search history.

(56) **References Cited**

U.S. PATENT DOCUMENTS

D295,321 S * 4/1988 Hallworth D24/110

5,165,391 A * 11/1992 Chiesi et al. 128/200.23
D355,029 S * 1/1995 Kinneir et al. D24/110
D363,775 S * 10/1995 Hobbs D24/110
D417,271 S * 11/1999 Denyer et al. D24/110
D478,983 S * 8/2003 Whitehall et al. D24/110
D479,745 S * 9/2003 Albulet et al. D24/110

* cited by examiner

Primary Examiner—Ian Simmons

Assistant Examiner—Christopher Lee

(74) *Attorney, Agent, or Firm*—John W. Kung

(57) **CLAIM**

The ornamental design of an inhaler, as shown and described.

DESCRIPTION

FIG. 1 is a front perspective view of an inhaler of our new design;

FIG. 2 is a front elevational view of the inhaler of FIG. 1;

FIG. 3 is a rear elevational view of the inhaler of FIG. 1;

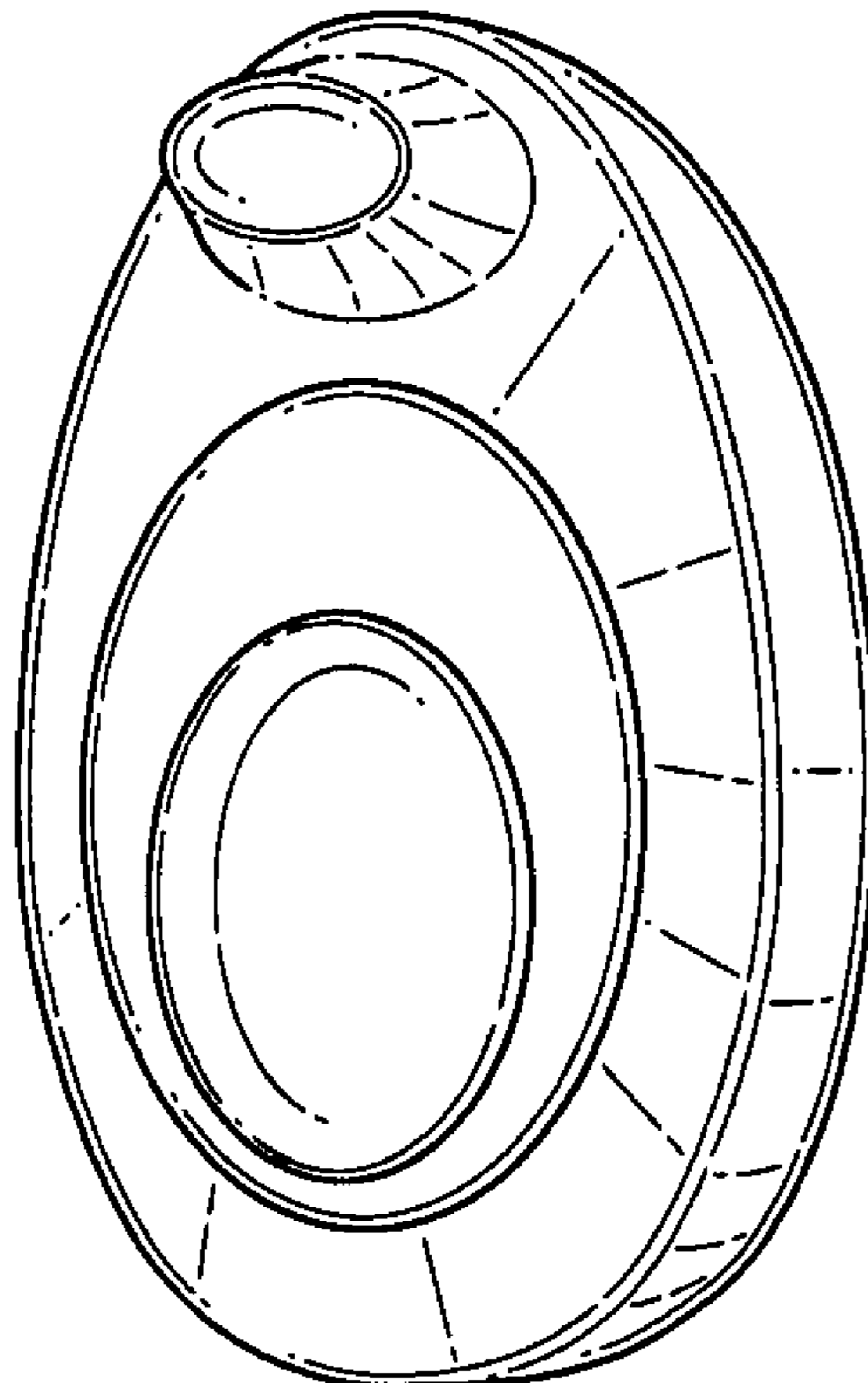
FIG. 4 is a left elevational view of the inhaler of FIG. 1;

FIG. 5 is a right elevational view of the inhaler of FIG. 1;

FIG. 6 is top plan view of the inhaler of FIG. 1; and,

FIG. 7 is a bottom plan view of the inhaler of FIG. 1.

1 Claim, 2 Drawing Sheets



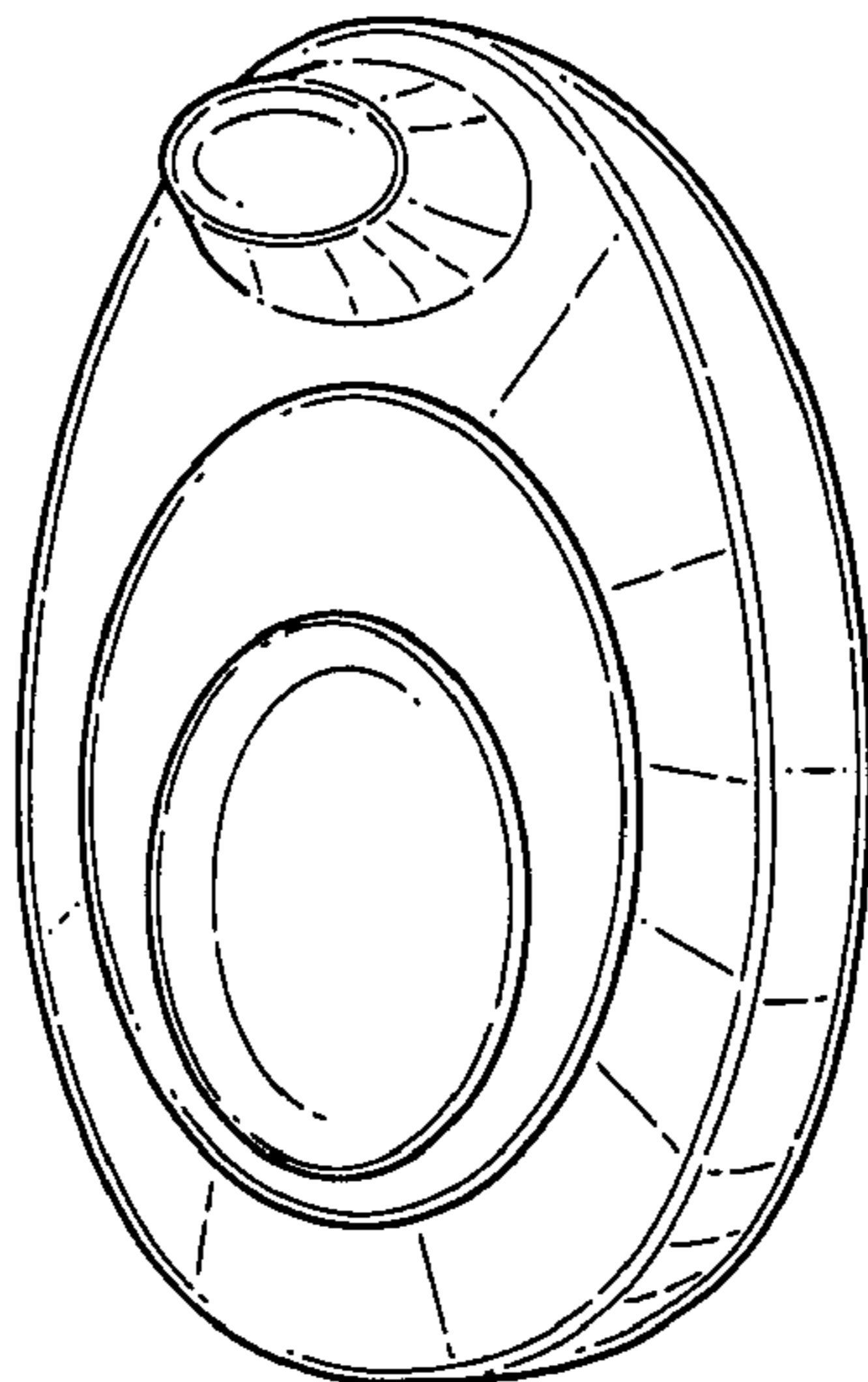


Fig.1.

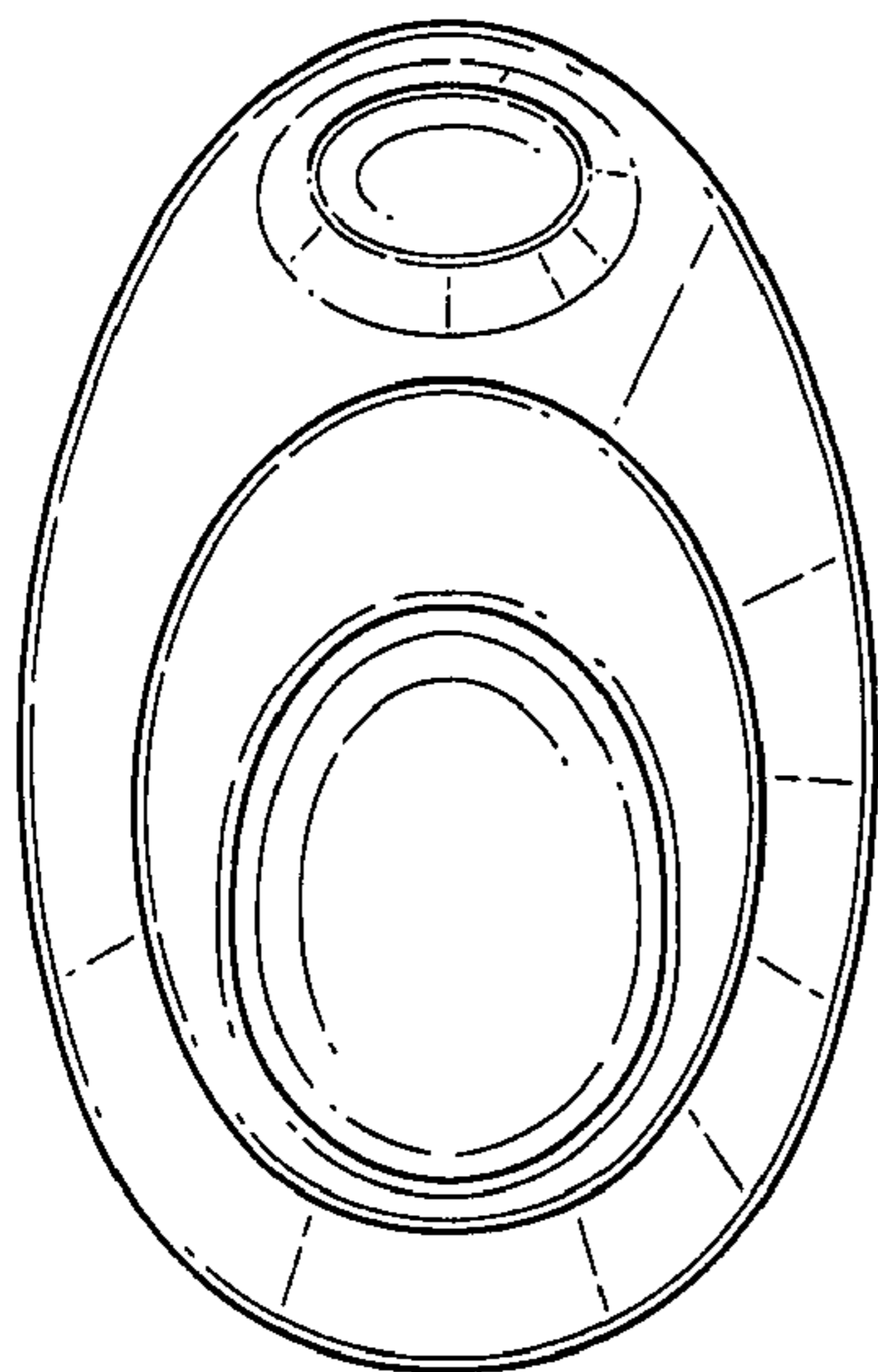


Fig.2.

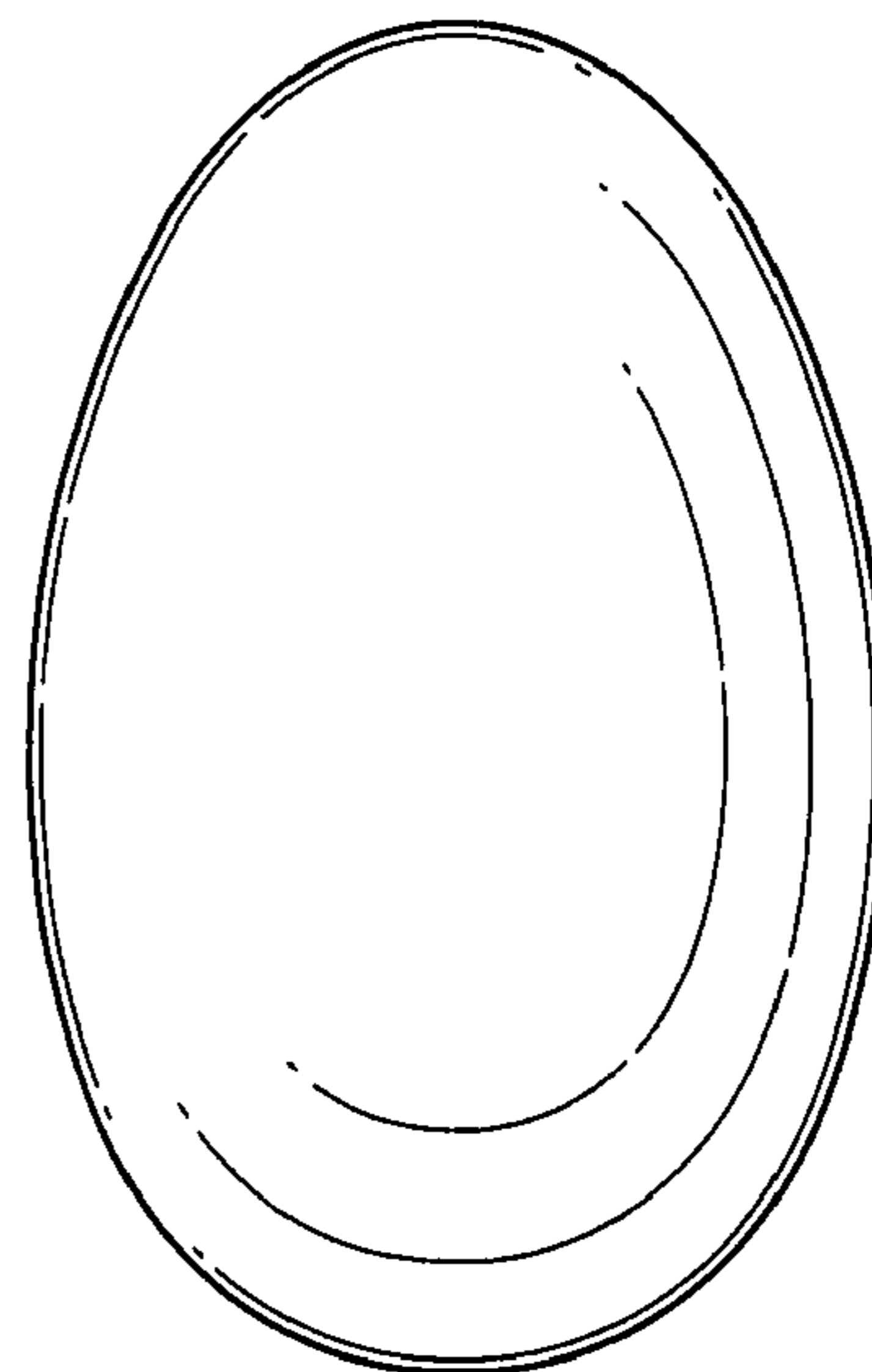


Fig.3.

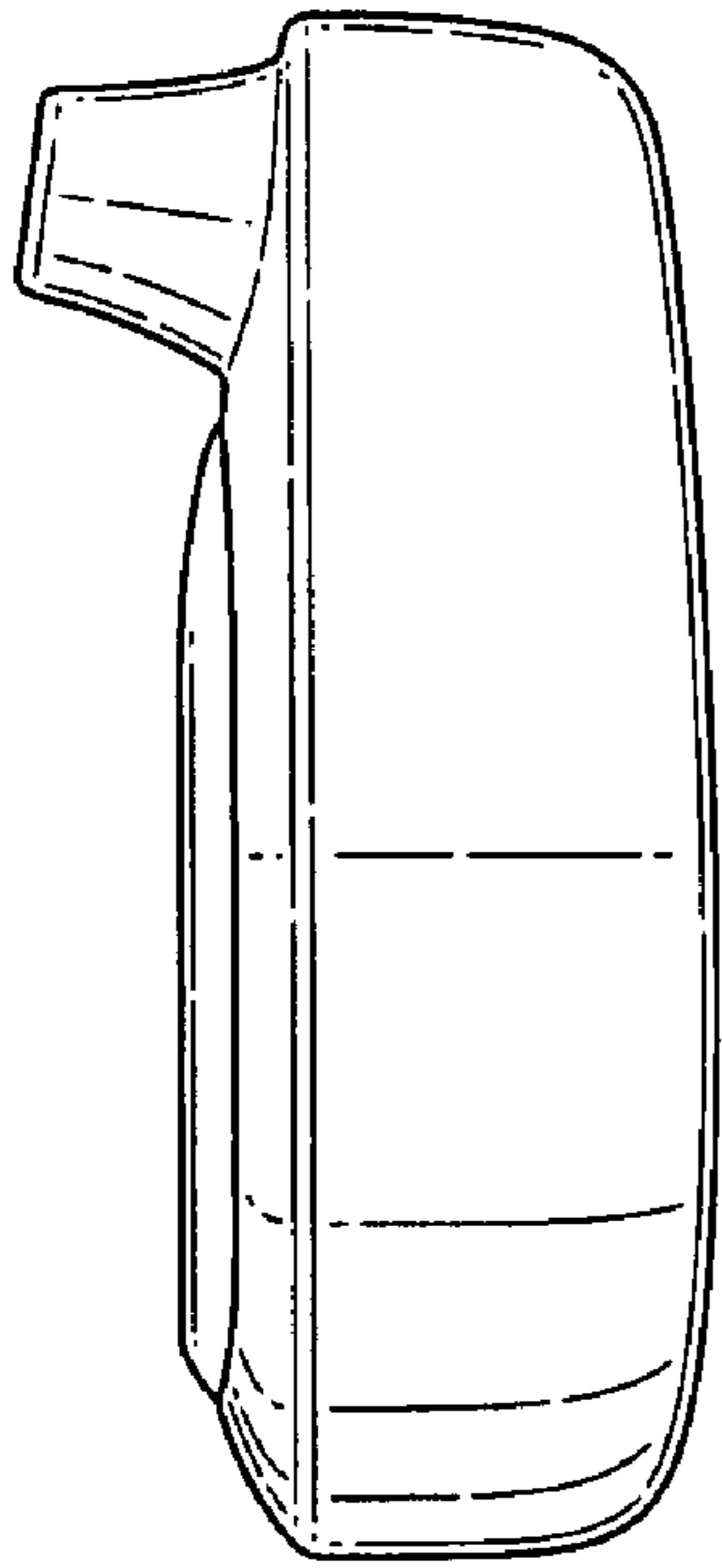


Fig.4.

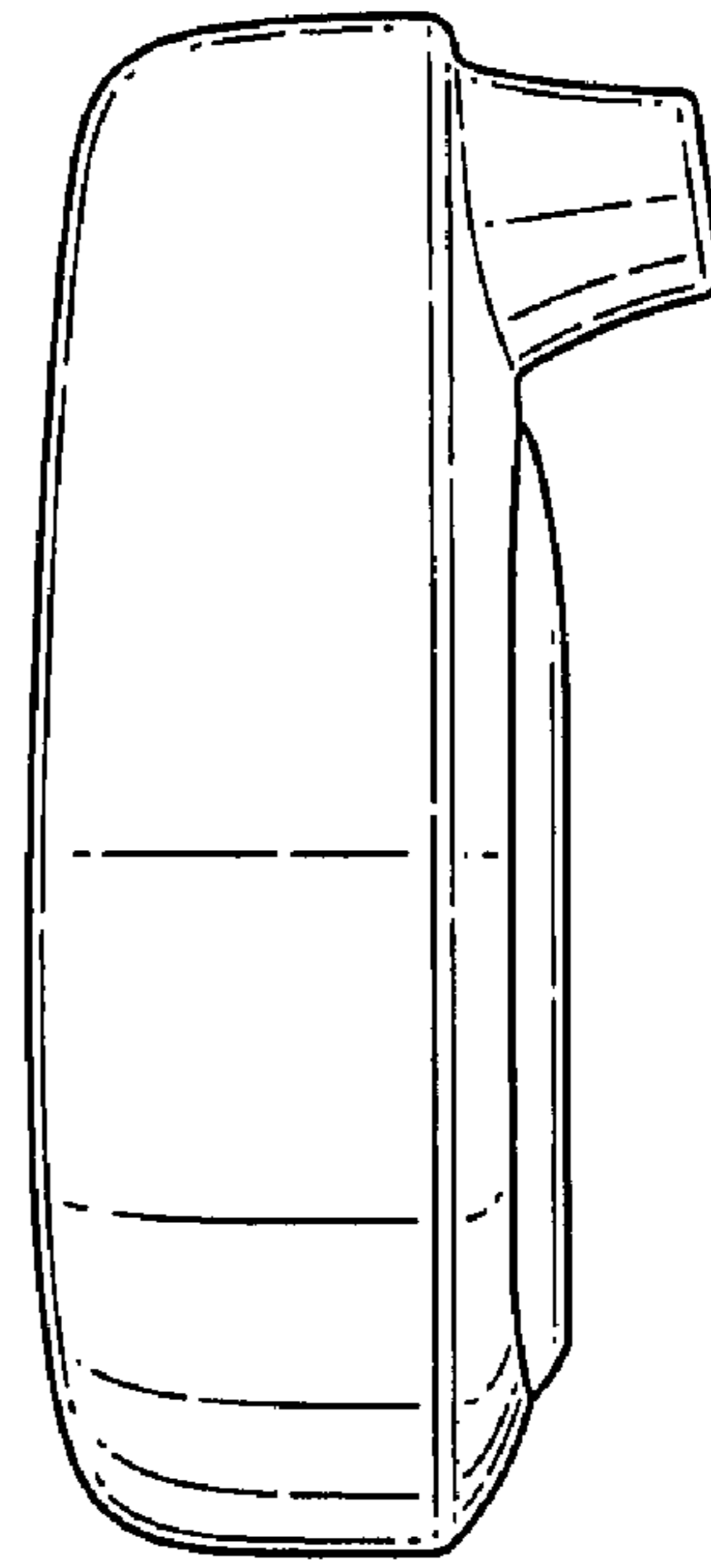


Fig.5.

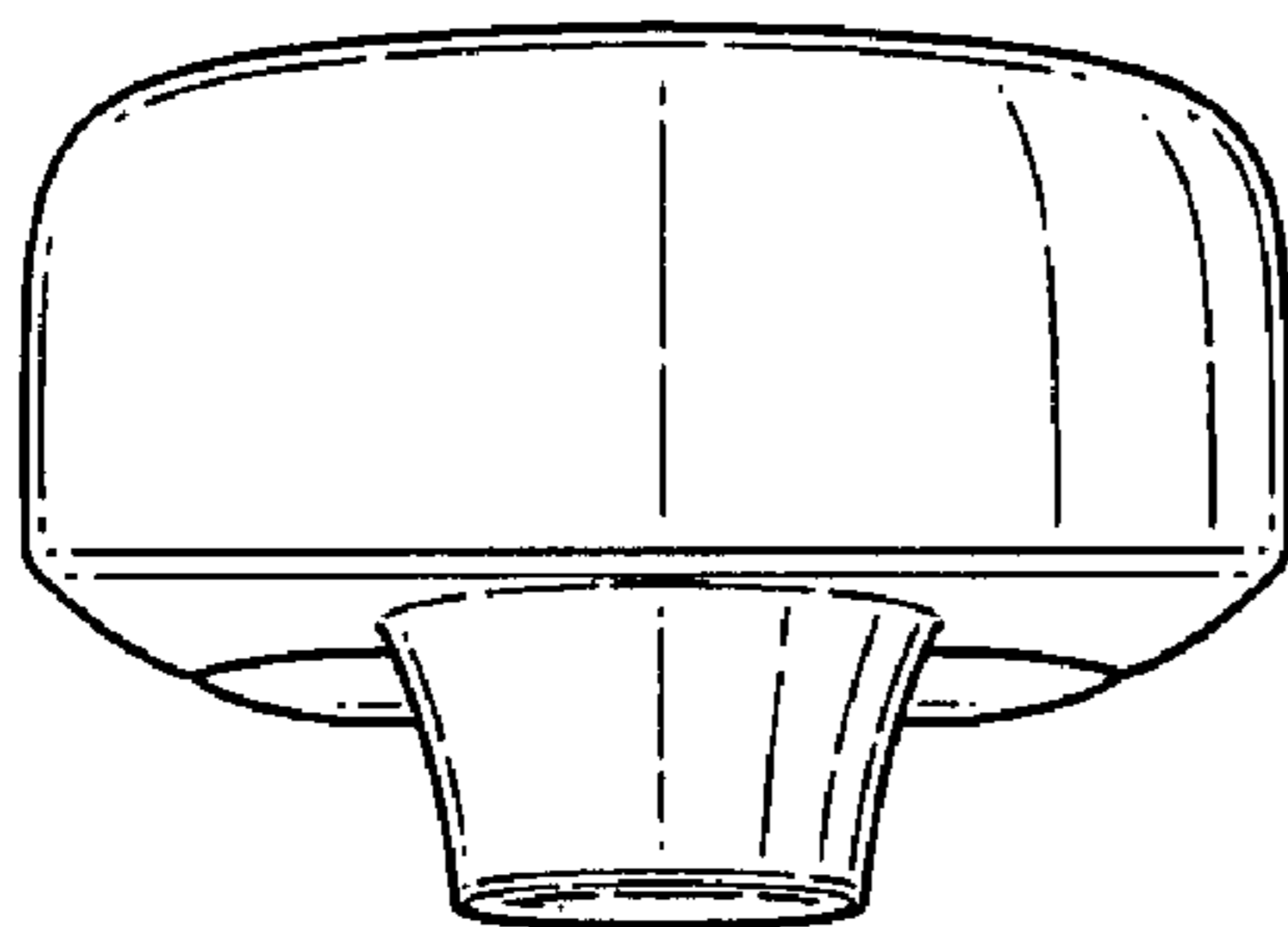


Fig.6.

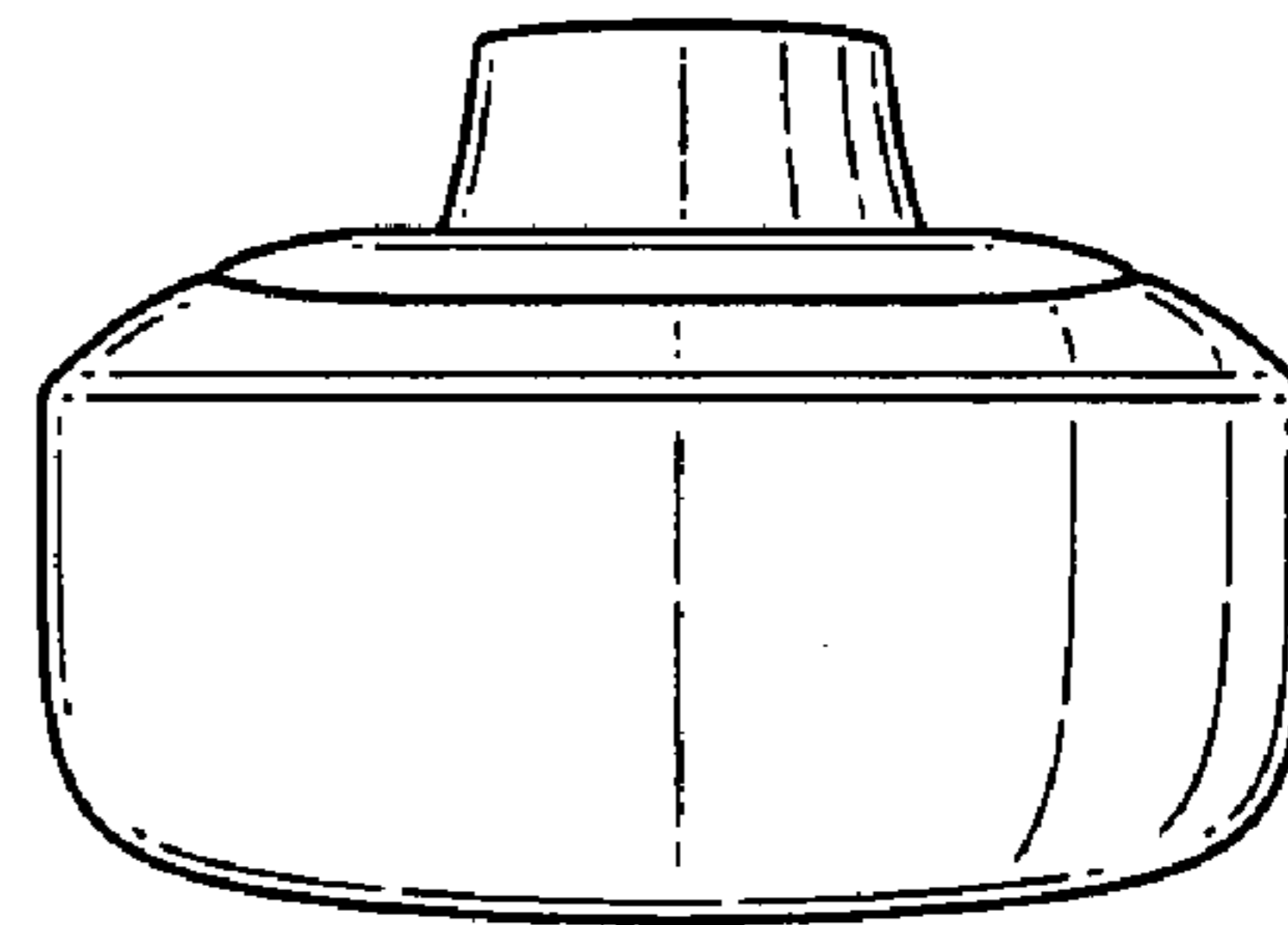


Fig.7.