



US00D579546S

(12) **United States Design Patent**  
**Birath et al.**

(10) **Patent No.:** **US D579,546 S**  
(45) **Date of Patent:** **\*\* Oct. 28, 2008**

(54) **INHALER**

(75) Inventors: **Martin Birath**, Stockholm (SE); **Hans Himbert**, Stockholm (SE); **Sofia Jacobsson**, Bromma (SE); **Thomas Nilsson**, Bromma (SE); **Ulrika Vejbrink**, Hågersten (SE)

(73) Assignee: **Novartis AG**, Basel (CH)

(\*\*) Term: **14 Years**

(21) Appl. No.: **29/292,807**

(22) Filed: **Oct. 29, 2007**

(30) **Foreign Application Priority Data**

Jun. 7, 2007 (EM) ..... 000736962-0005

(51) **LOC (8) Cl.** ..... **29-02**

(52) **U.S. Cl.** ..... **D24/110**

(58) **Field of Classification Search** ..... D24/110;  
128/200.23, 203.15, 200.14, 203.21, 203.23,  
128/202.22, 200.12, 205.11, 200.21  
See application file for complete search history.

(56) **References Cited**

**U.S. PATENT DOCUMENTS**

D350,602 S \* 9/1994 Hobbs ..... D24/110

D437,931 S \* 2/2001 Anderson ..... D24/110  
D478,983 S \* 8/2003 Whitehall et al. .... D24/110  
D479,745 S \* 9/2003 Albulet et al. .... D24/110  
D498,840 S \* 11/2004 King et al. .... D24/110

\* cited by examiner

*Primary Examiner*—Ian Simmons

*Assistant Examiner*—Christopher Lee

(74) *Attorney, Agent, or Firm*—John W. Kung

(57) **CLAIM**

The ornamental design of an inhaler, as shown and described.

**DESCRIPTION**

FIG. 1 is a front perspective view of a inhaler of our new design;

FIG. 2 is a front elevational view of the inhaler of FIG. 1;

FIG. 3 is a rear elevational view of the inhaler of FIG. 1;

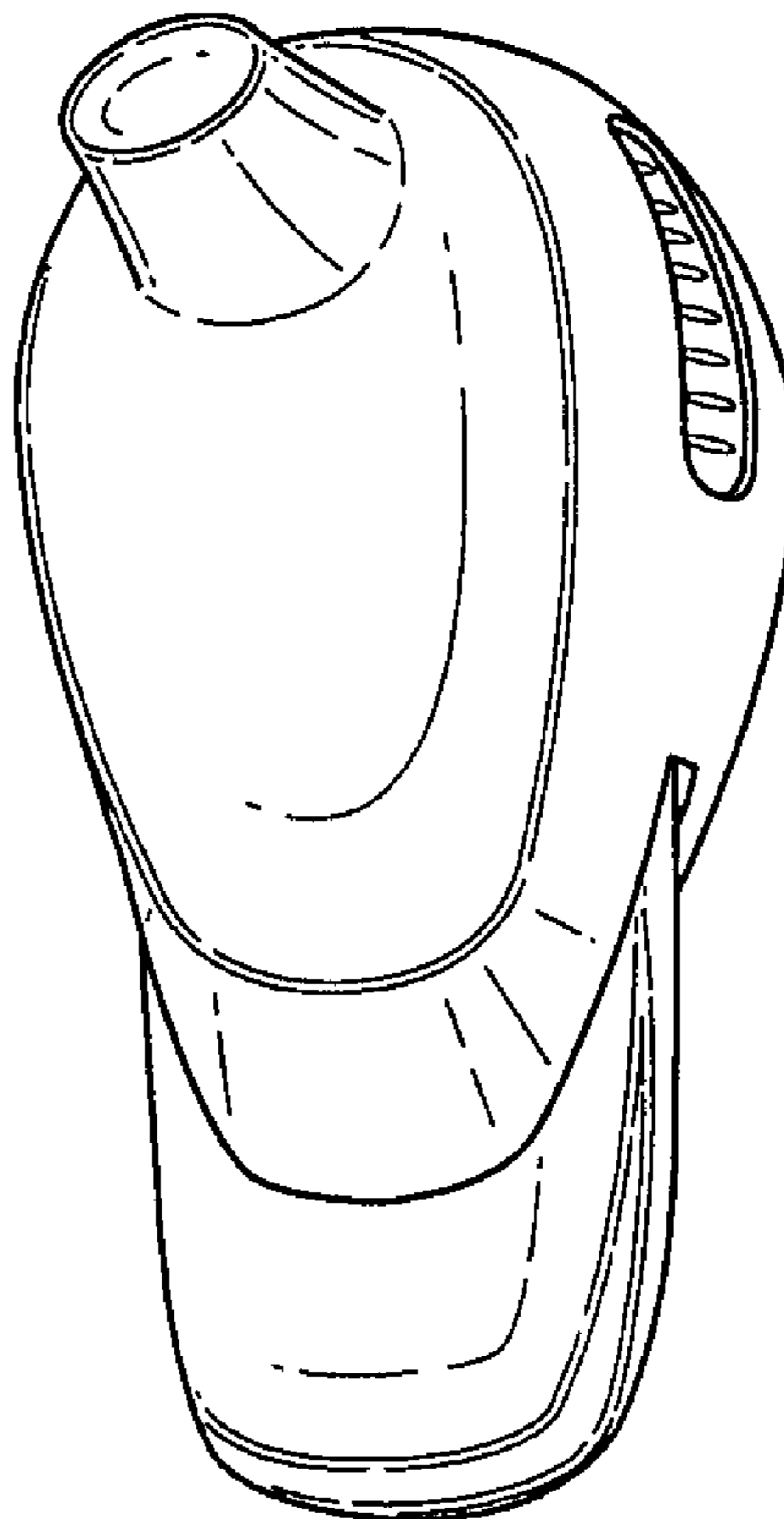
FIG. 4 is a left elevational view of the inhaler of FIG. 1;

FIG. 5 is a right elevational view of the inhaler of FIG. 1;

FIG. 6 is top plan view of the inhaler of FIG. 1; and,

FIG. 7 is a bottom plan view of the inhaler of FIG. 1.

**1 Claim, 2 Drawing Sheets**



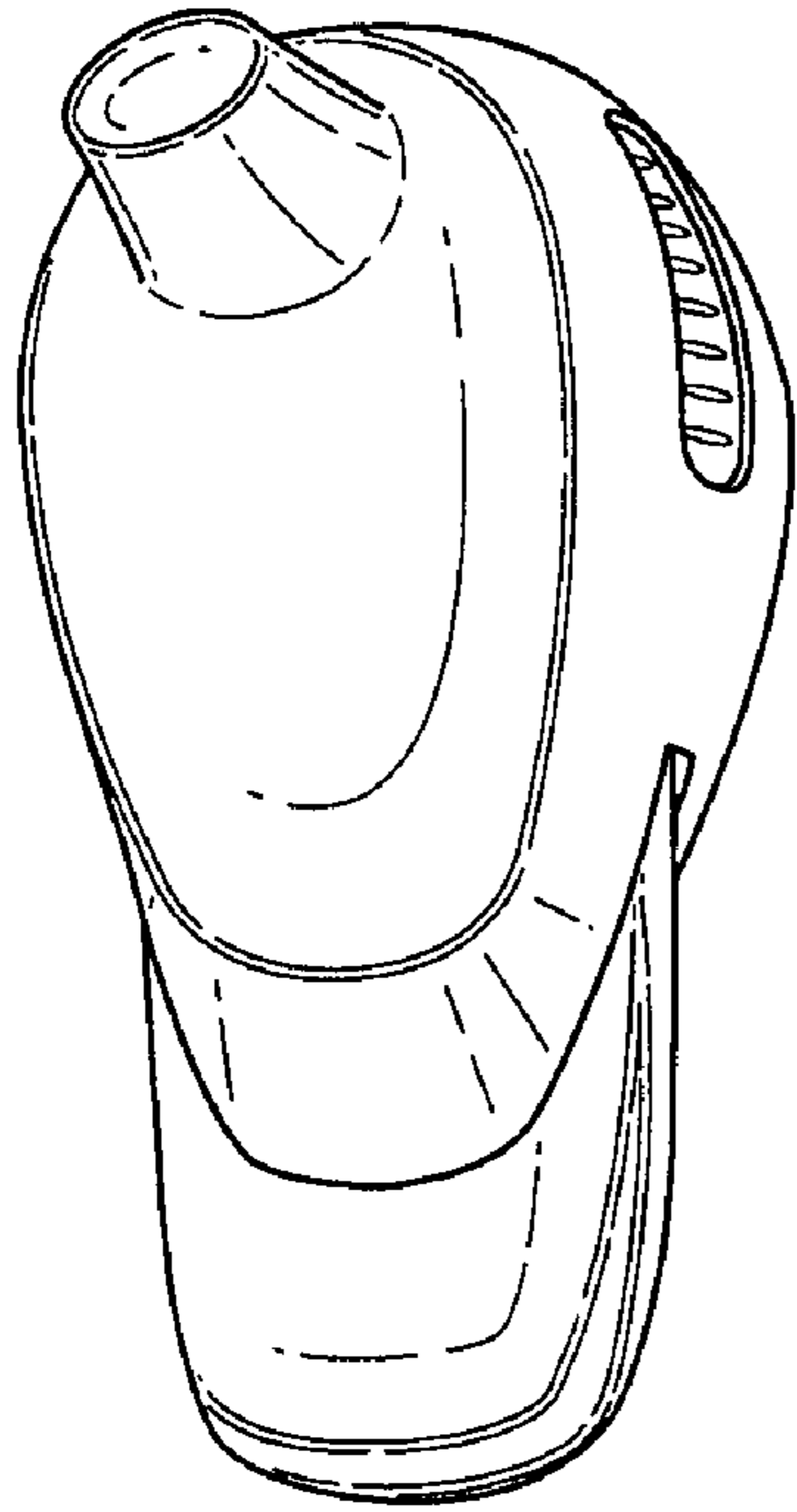


Fig. 1.

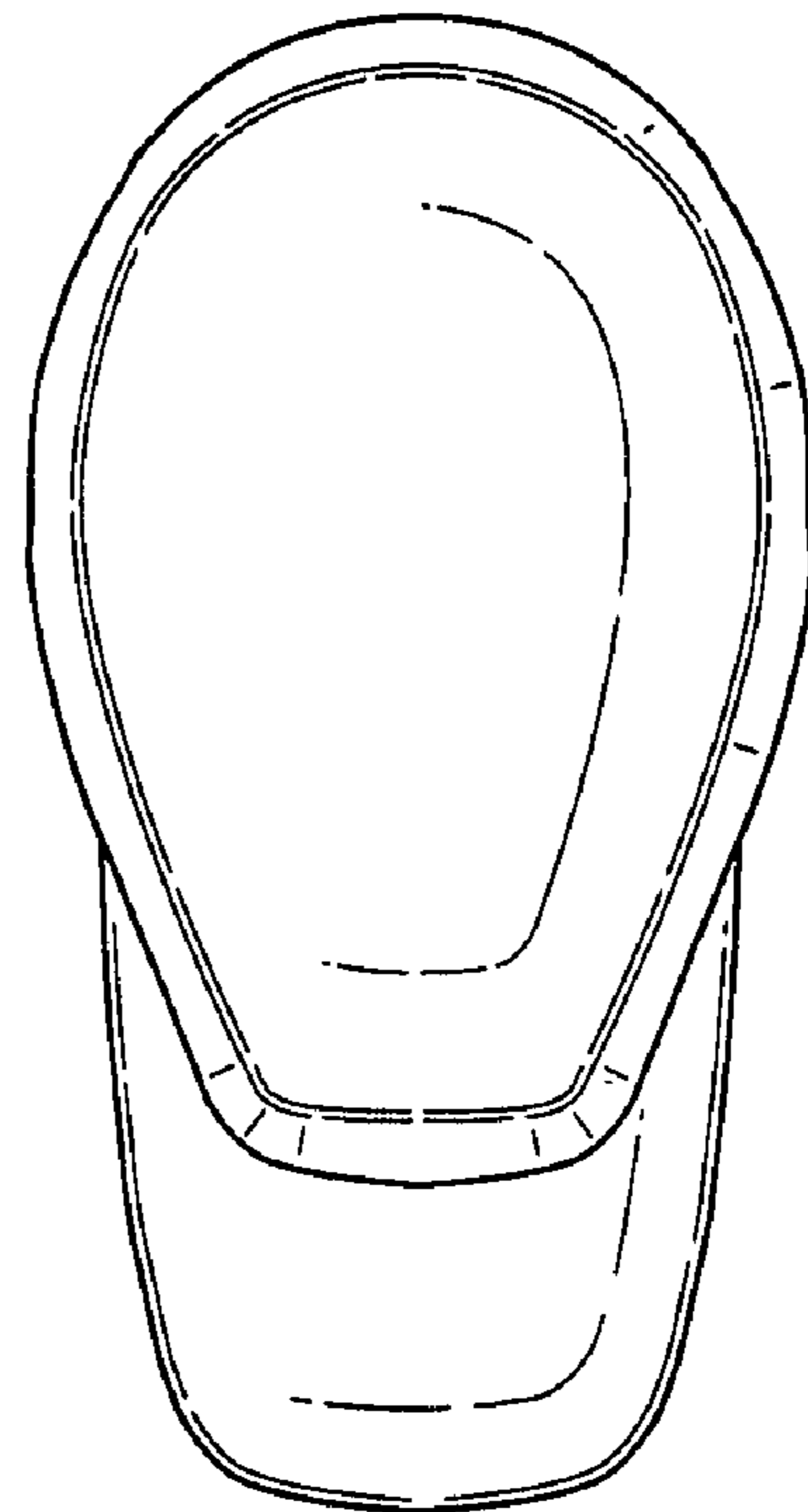


Fig. 3.

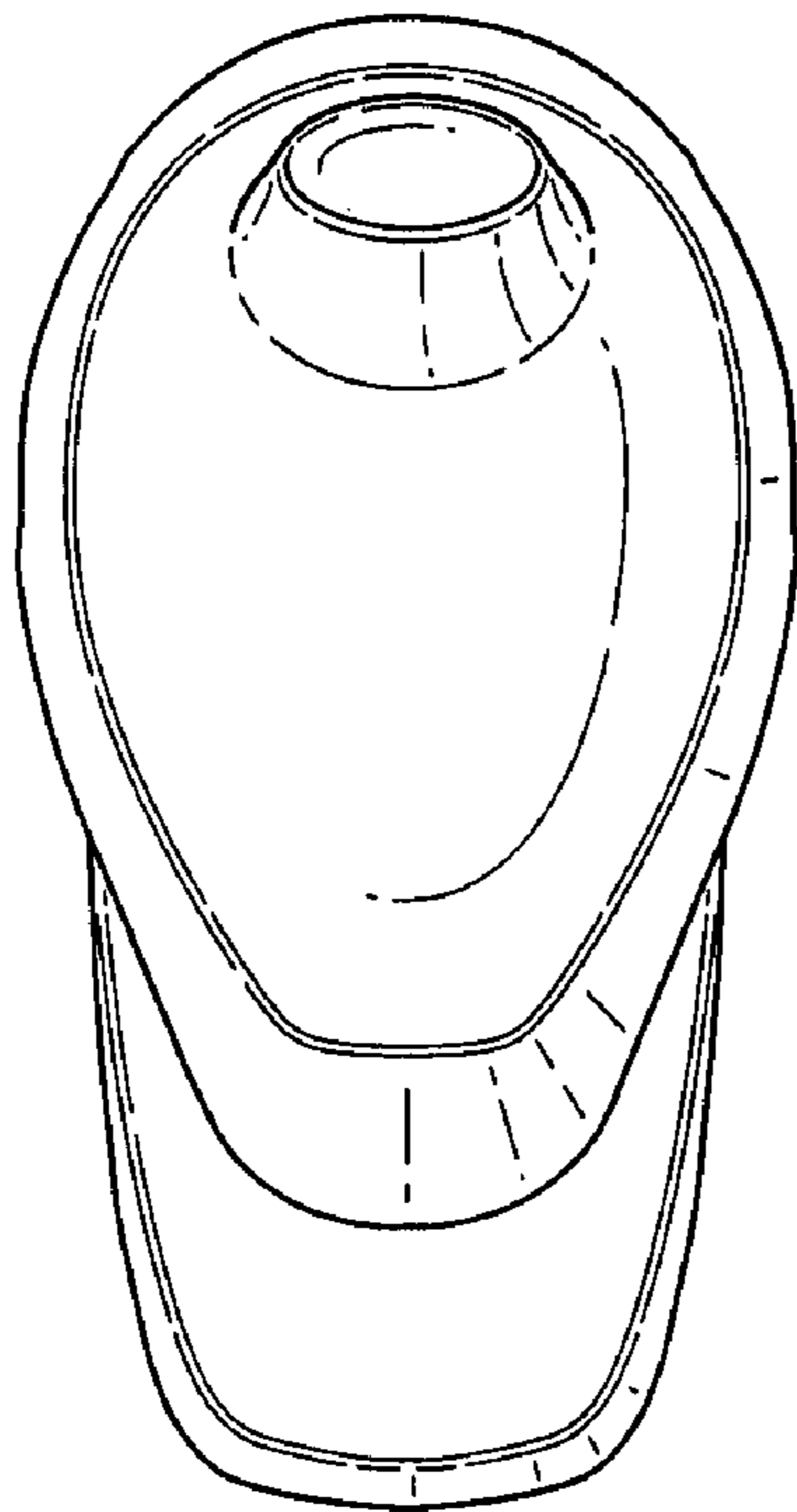


Fig. 2.

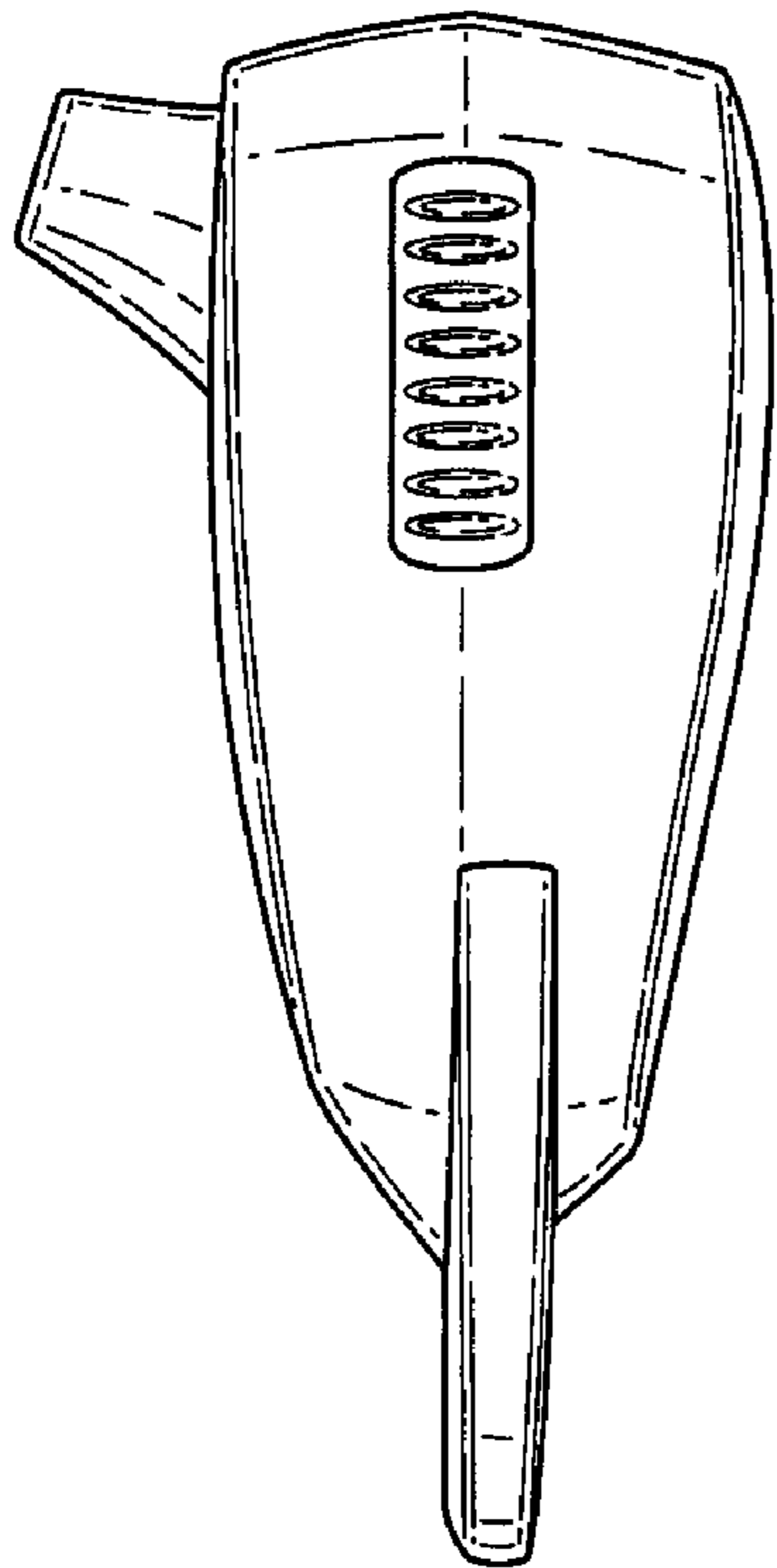


Fig.4.

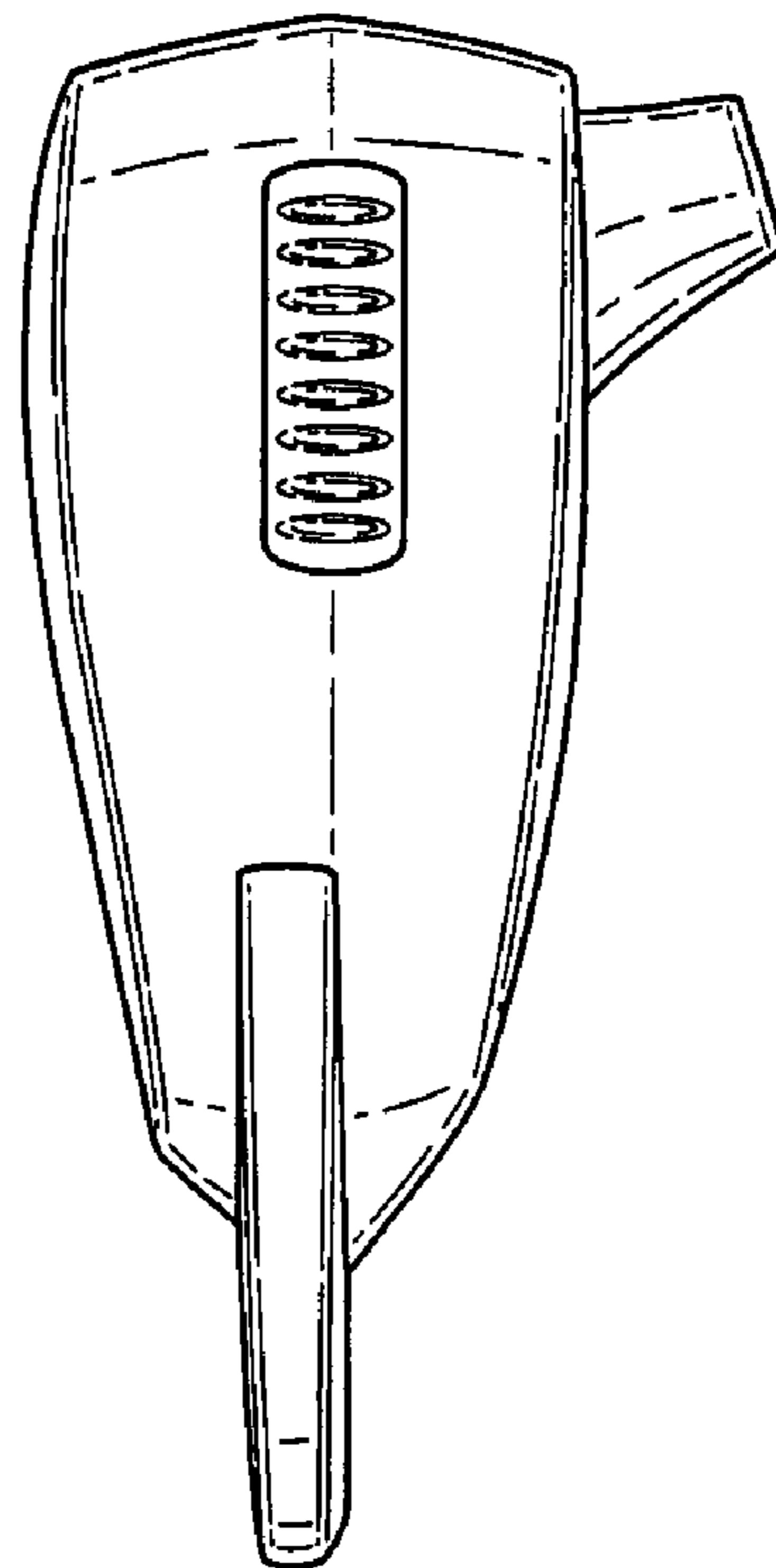


Fig.5.

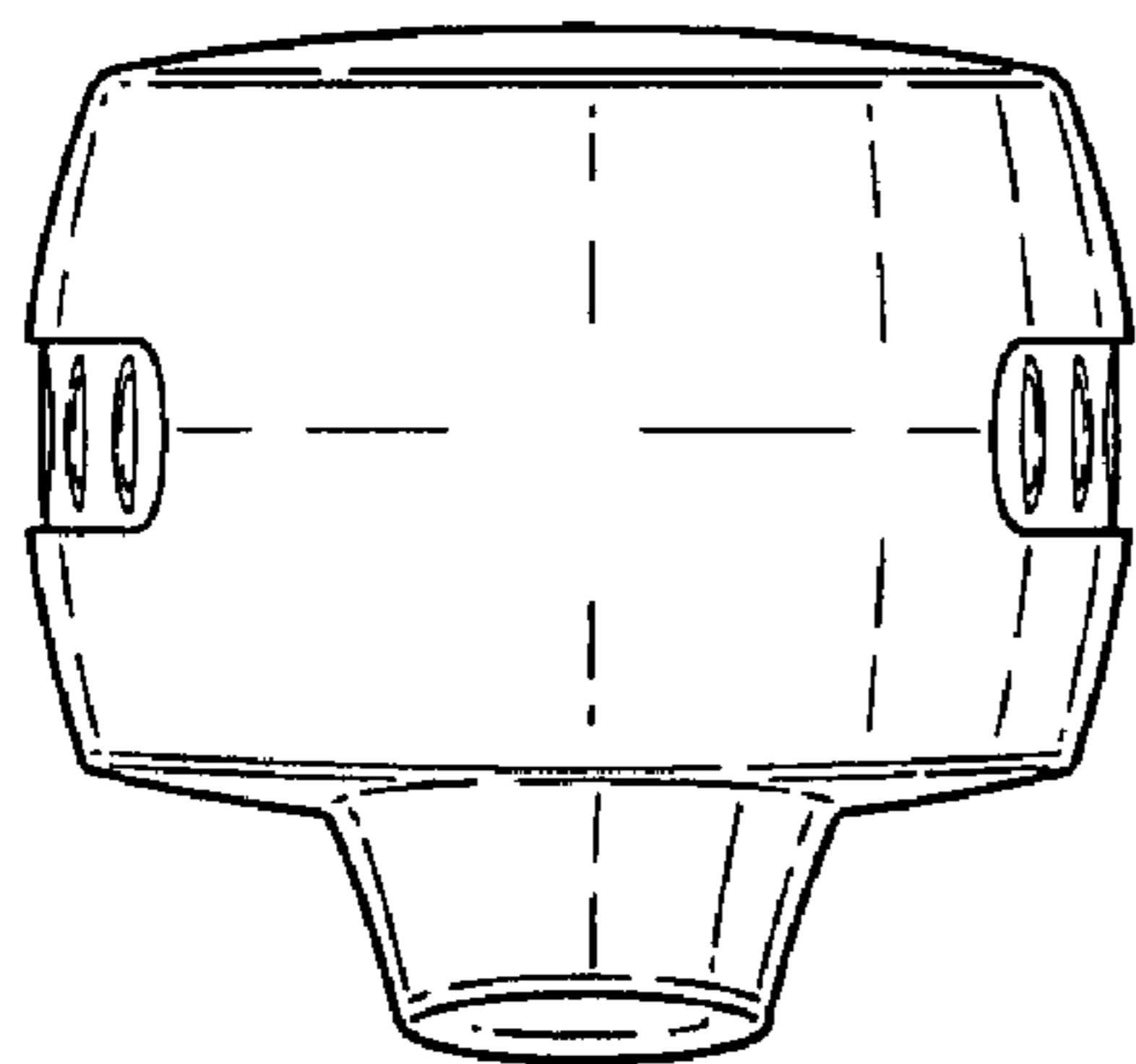


Fig.6.

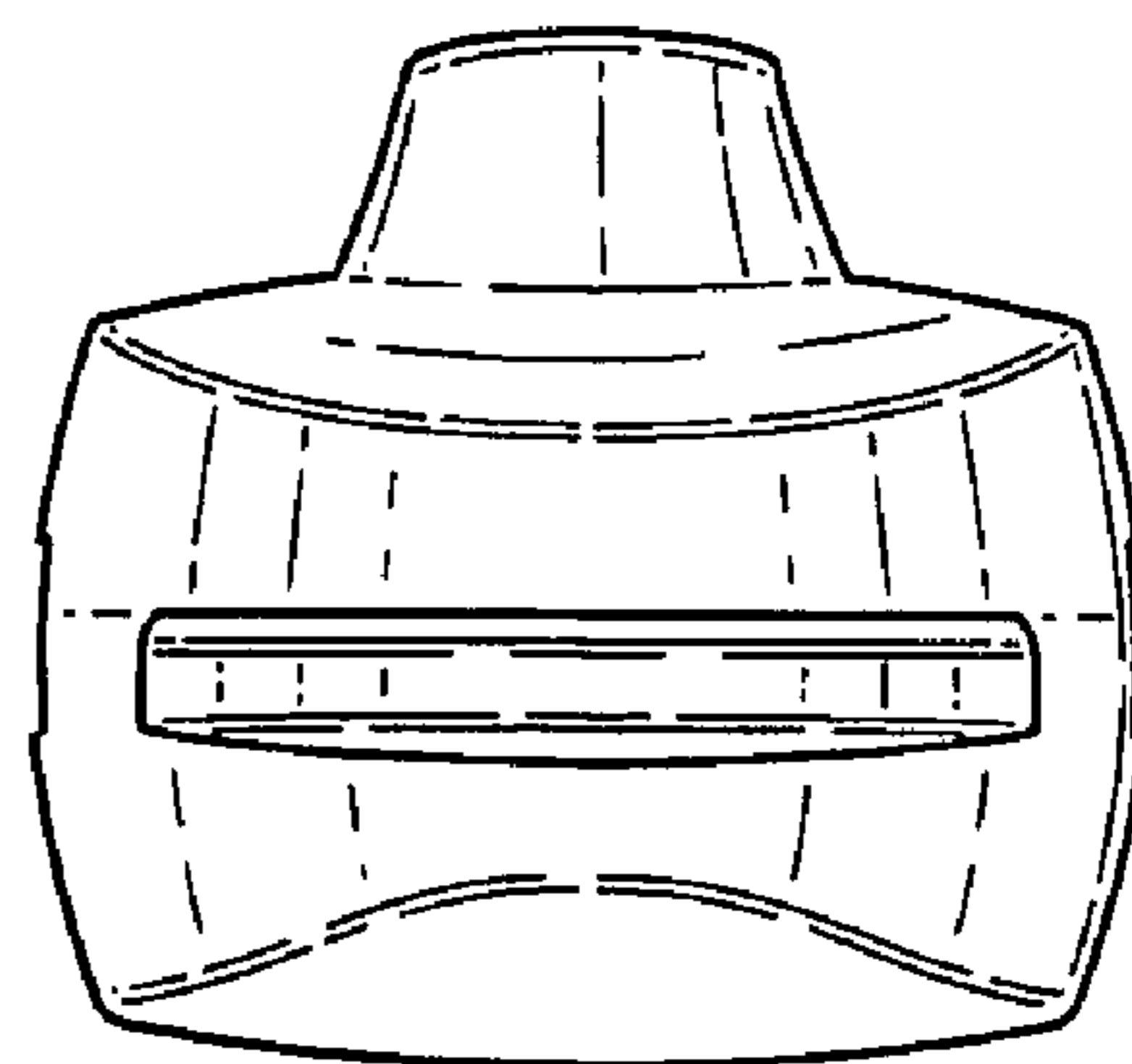


Fig.7.