



US00D579540S

(12) **United States Design Patent**
Hochman et al.

(10) **Patent No.:** **US D579,540 S**
(45) **Date of Patent:** **** Oct. 28, 2008**

(54) **DRIVE UNIT FOR ANESTHETIC**

D406,268 S * 3/1999 Lamond et al. D15/7
D423,665 S * 4/2000 Herbst et al. D24/111
D471,271 S * 3/2003 Stromberg et al. D24/107

(75) Inventors: **Mark N. Hochman**, Great Neck, NY
(US); **Donald Lamond**, Haworth, NJ
(US)

* cited by examiner

(73) Assignee: **Milestone Scientific, Inc.**, Livingston,
NJ (US)

Primary Examiner—Charles A. Rademaker

Assistant Examiner—Christopher Lee

(74) *Attorney, Agent, or Firm*—Notaro & Michalos P.C.

(**) Term: **14 Years**

(57) **CLAIM**

(21) Appl. No.: **29/298,402**

The ornamental design for a drive unit for anesthetic, as shown and described.

(22) Filed: **Dec. 5, 2007**

Related U.S. Application Data

DESCRIPTION

(62) Division of application No. 29/276,307, filed on Jan. 22, 2007, now Pat. No. Des. 566,265.

FIG. 1 is a front top right perspective of a drive unit for anesthetic showing our new design therefor;

(51) **LOC (8) Cl.** **24-01**

FIG. 2 is a right side elevational view thereof;

(52) **U.S. Cl.** **D24/107**

FIG. 3 is a left side elevational view thereof;

(58) **Field of Classification Search** D24/108,
D24/156, 176, 221, 177; D15/7, 9; 604/131,
604/151, 152, 232; 433/80

FIG. 4 is a rear elevational view thereof;

See application file for complete search history.

FIG. 5 is a front elevational view thereof; and,

FIG. 6 is a top plan view.

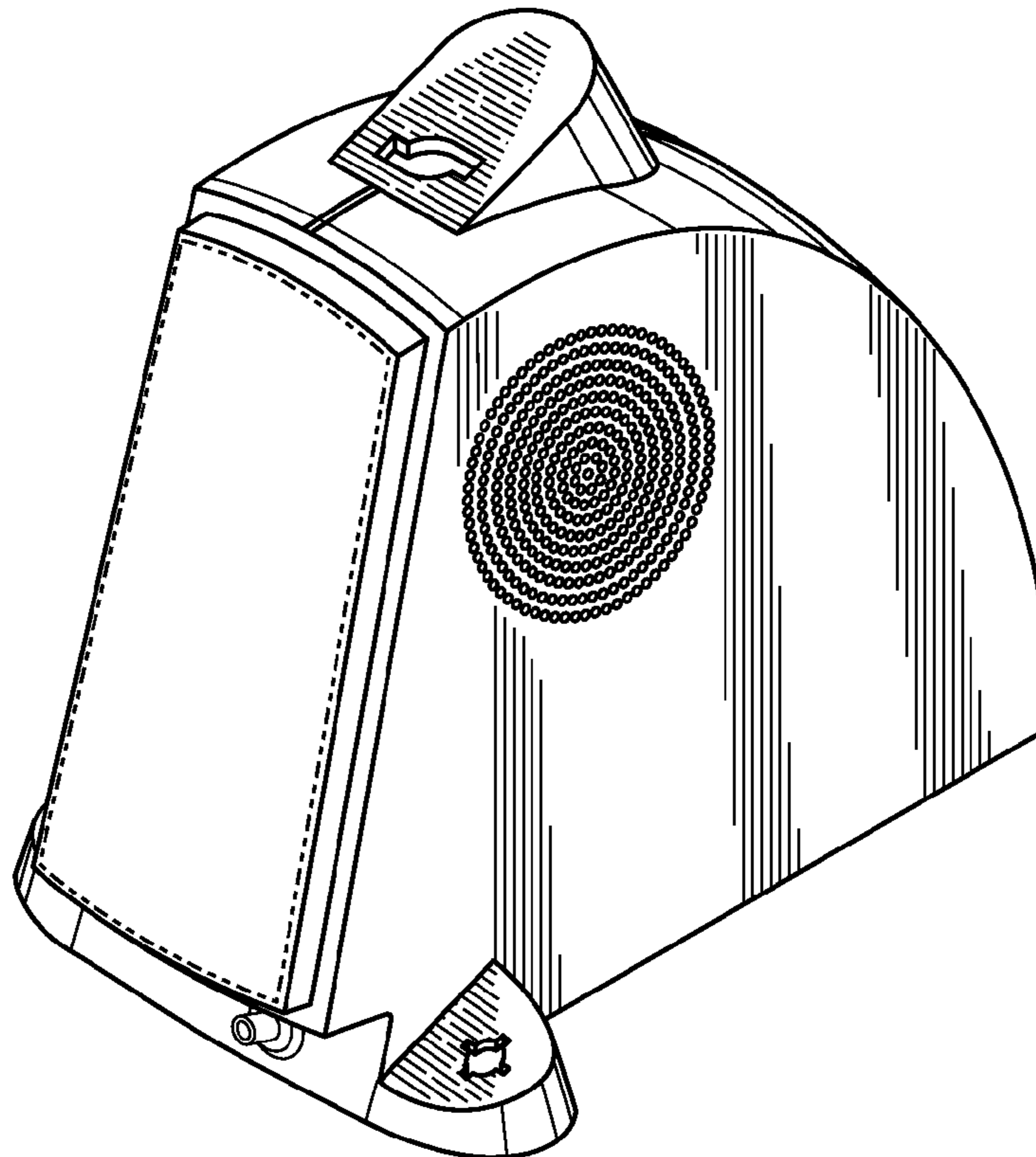
(56) **References Cited**

The broken lines shown in FIGS. 1, 4, 5 and 6 are for illustrative purposes only and form no part of the claimed design.

U.S. PATENT DOCUMENTS

D312,307 S * 11/1990 Leibson et al. D24/107

1 Claim, 6 Drawing Sheets



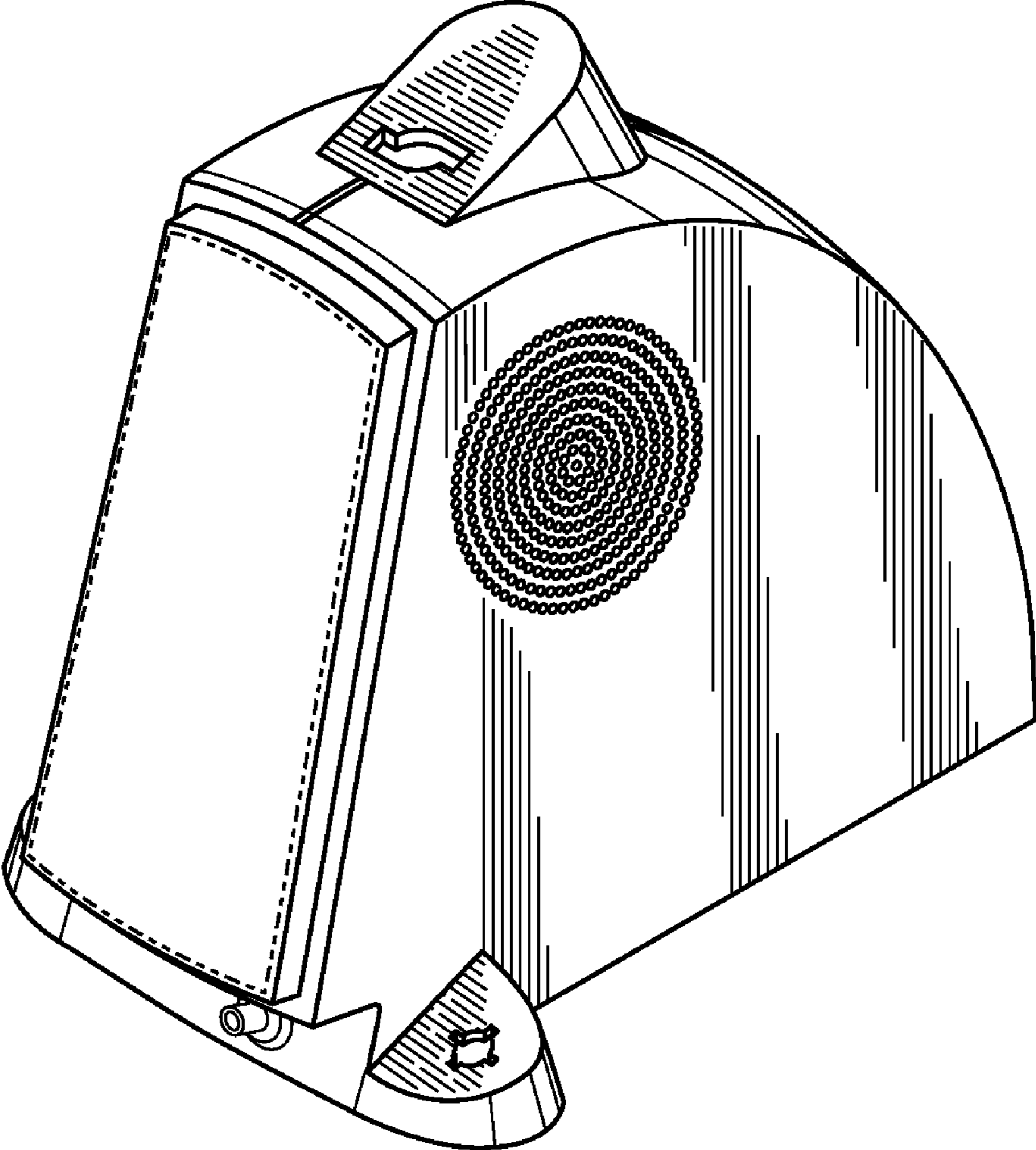


FIG. 1

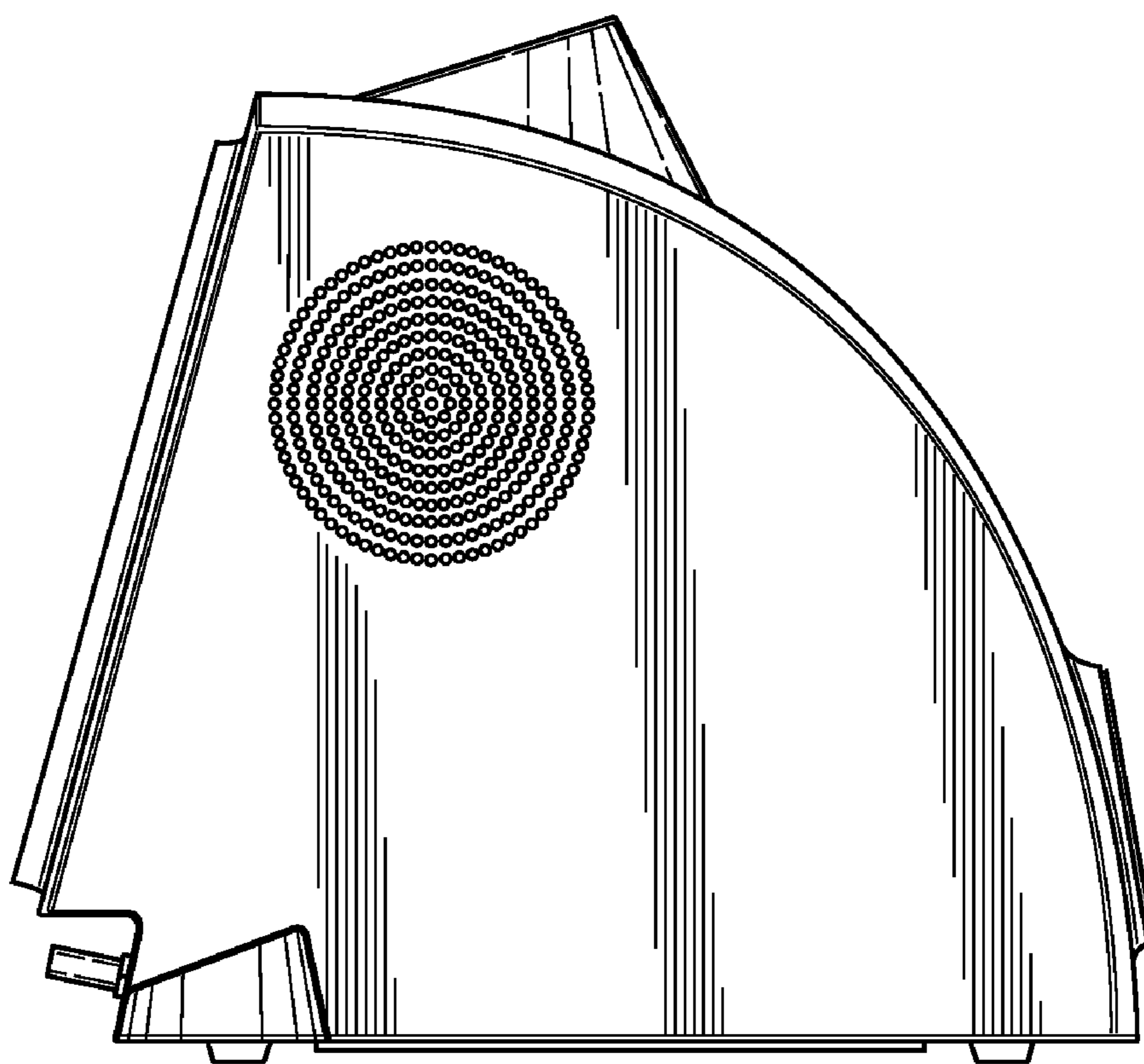


FIG. 2

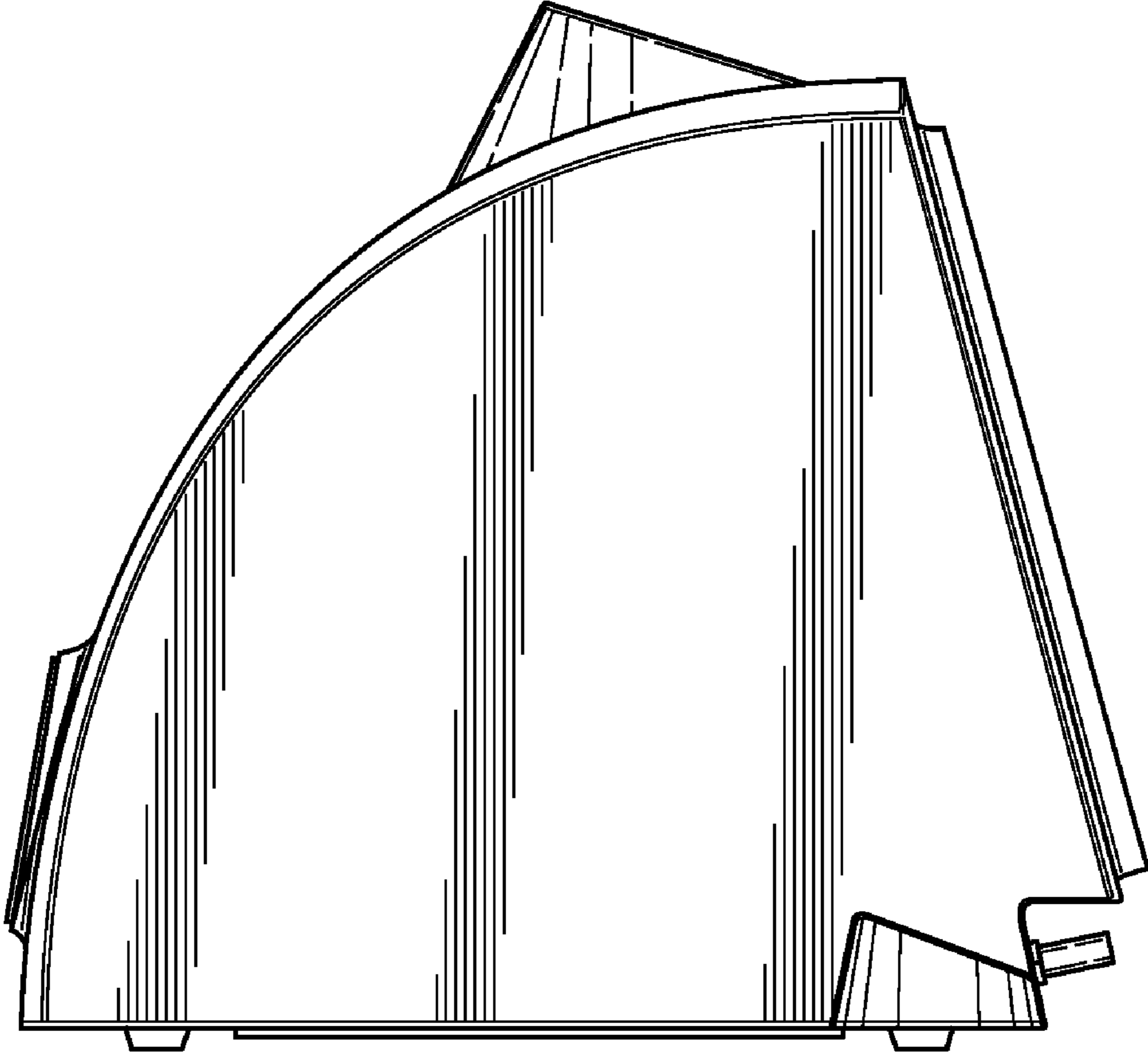


FIG. 3

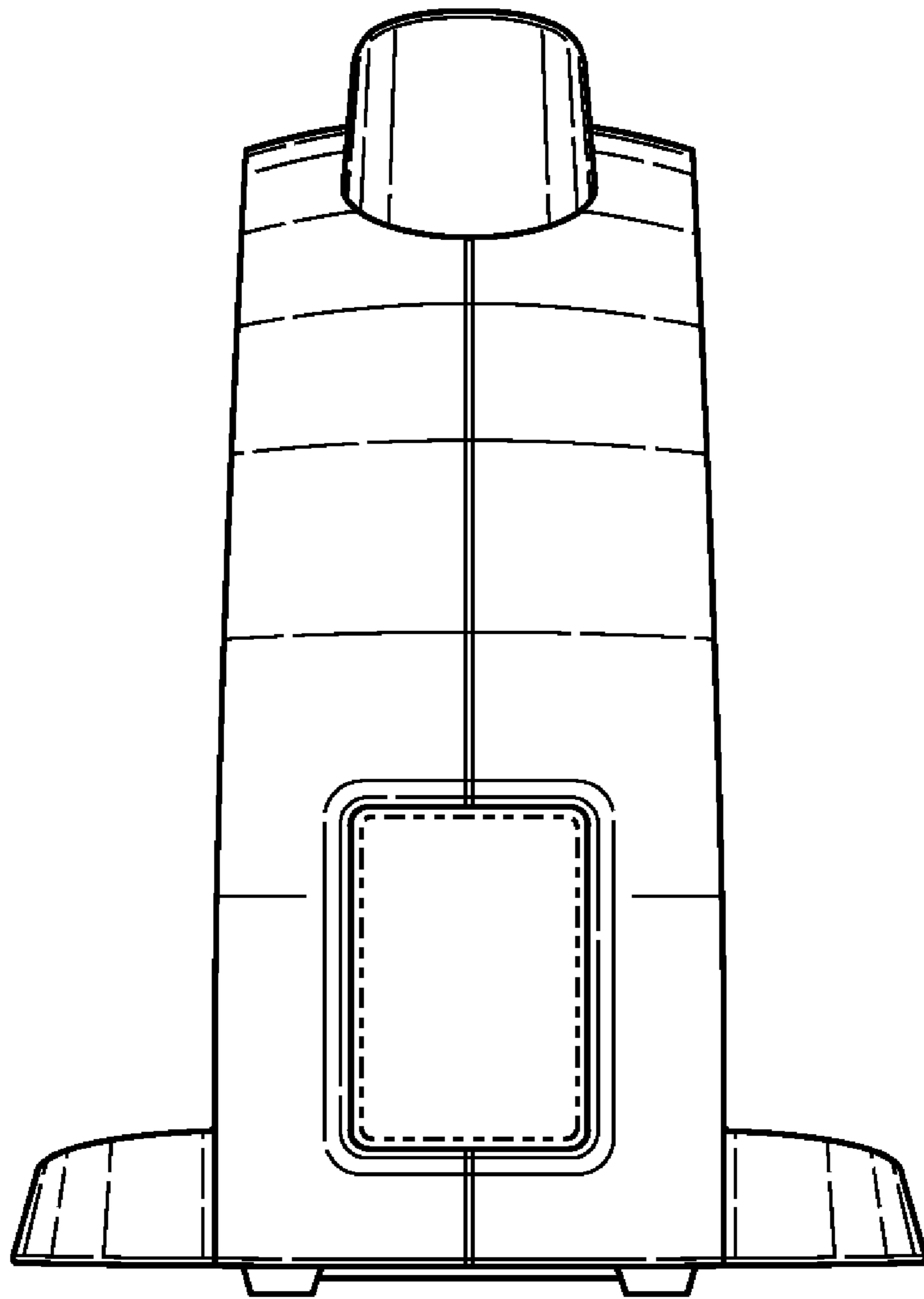


FIG. 4

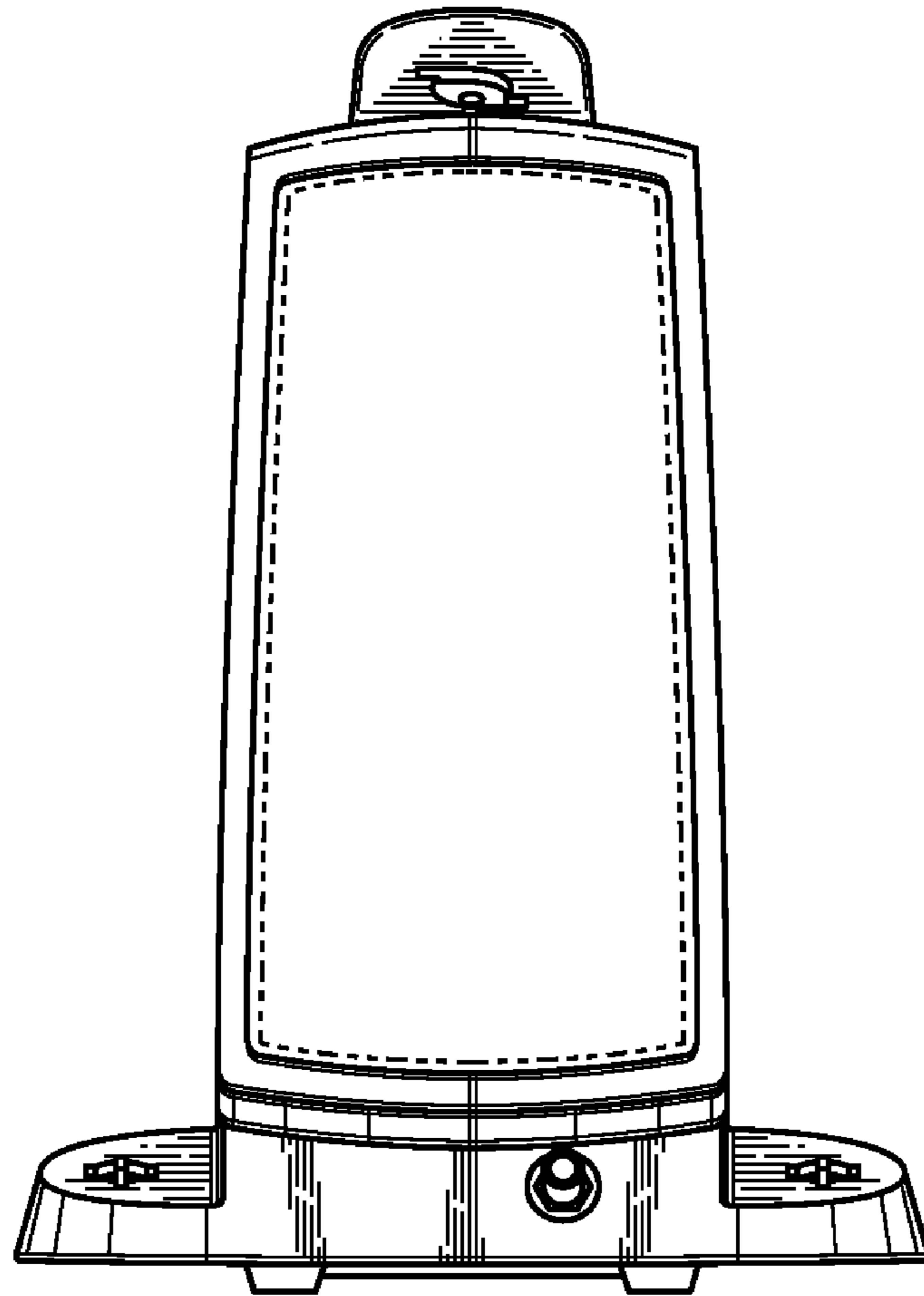


FIG. 5

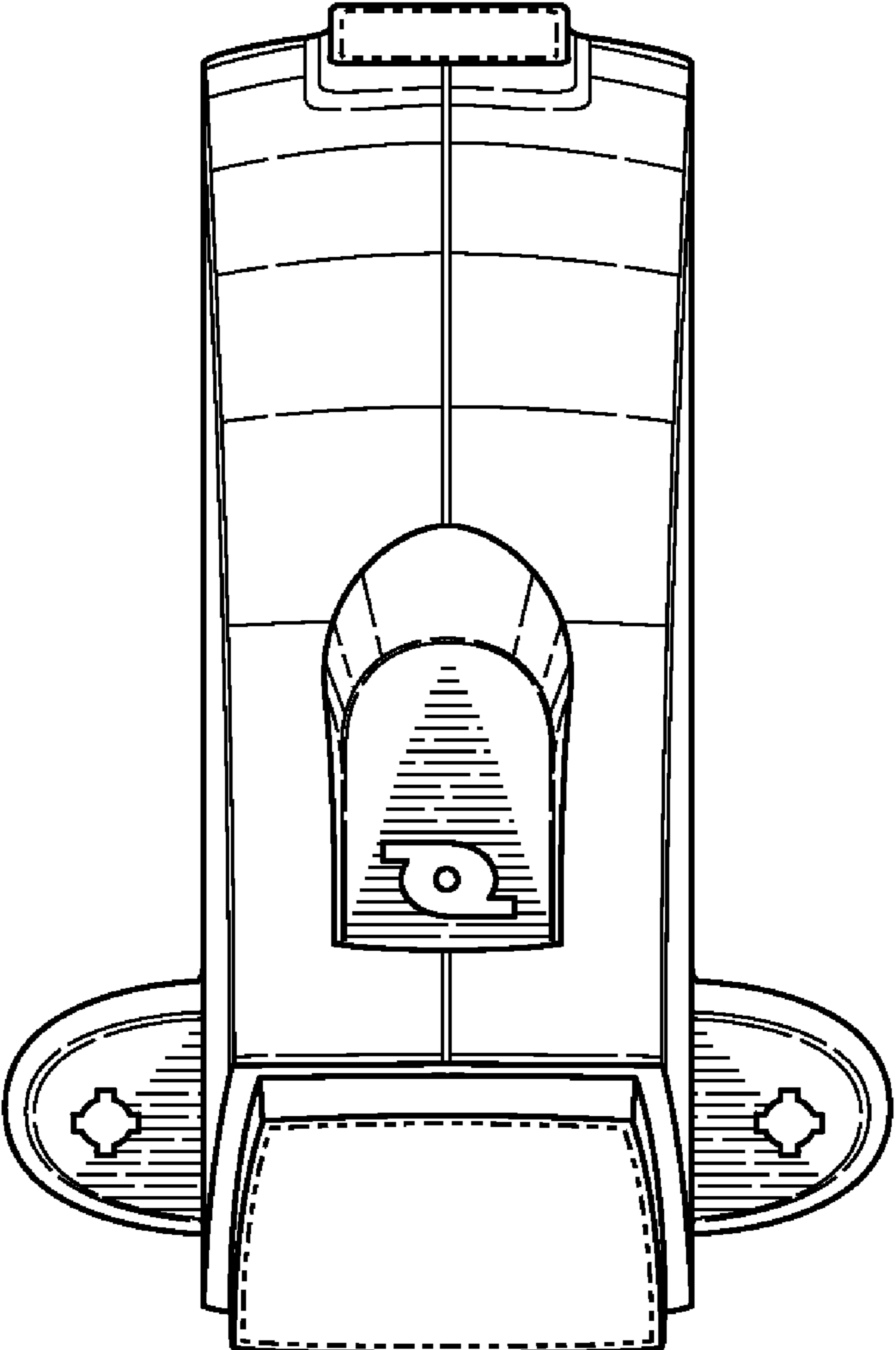


FIG. 6