



US00D579537S

(12) **United States Design Patent**
Smith et al.

(10) **Patent No.:** **US D579,537 S**
(45) **Date of Patent:** **** Oct. 28, 2008**

(54) **HUMIDIFIER TUB**

(75) Inventors: **Ian Malcolm Smith**, Westleigh (AU);
William Bonilla, Blacktown (AU); **John Michael Snow**, Cremorne (AU); **Perry David Lithgow**, Glenwood (AU); **Dan Kao**, Chatswood (AU)

D377,973 S 2/1997 Jane et al.
D385,343 S 10/1997 Chiu et al.
D498,527 S 11/2004 Virr et al.
D544,591 S 6/2007 Snow et al.
D549,810 S 8/2007 Smith et al.

(73) Assignee: **ResMed Limited**, Bella Vista (AU)

(**) Term: **14 Years**

(21) Appl. No.: **29/290,312**

(22) Filed: **Nov. 16, 2007**

Related U.S. Application Data

(62) Division of application No. 29/274,231, filed on Apr. 6, 2007, now Pat. No. Des. 559,963, which is a division of application No. 29/257,528, filed on Apr. 6, 2006, now Pat. No. Des. 549,810.

(51) **LOC (8) Cl.** **23-04**

(52) **U.S. Cl.** **D23/358**

(58) **Field of Classification Search** D23/356,
D23/358, 355, 364-5; 392/386, 405-6; 239/136;
261/DIG. 65; D24/110

See application file for complete search history.

(56) **References Cited**

U.S. PATENT DOCUMENTS

D370,059 S 5/1996 Chiu et al.

OTHER PUBLICATIONS

Smith et al., U.S. Appl. No. 29/274,231, filed Apr. 6, 2007.

Primary Examiner—Robin V Webster

(74) *Attorney, Agent, or Firm*—Nixon & Vanderhye P.C.

(57) **CLAIM**

The ornamental design for a humidifier tub, as shown and described.

DESCRIPTION

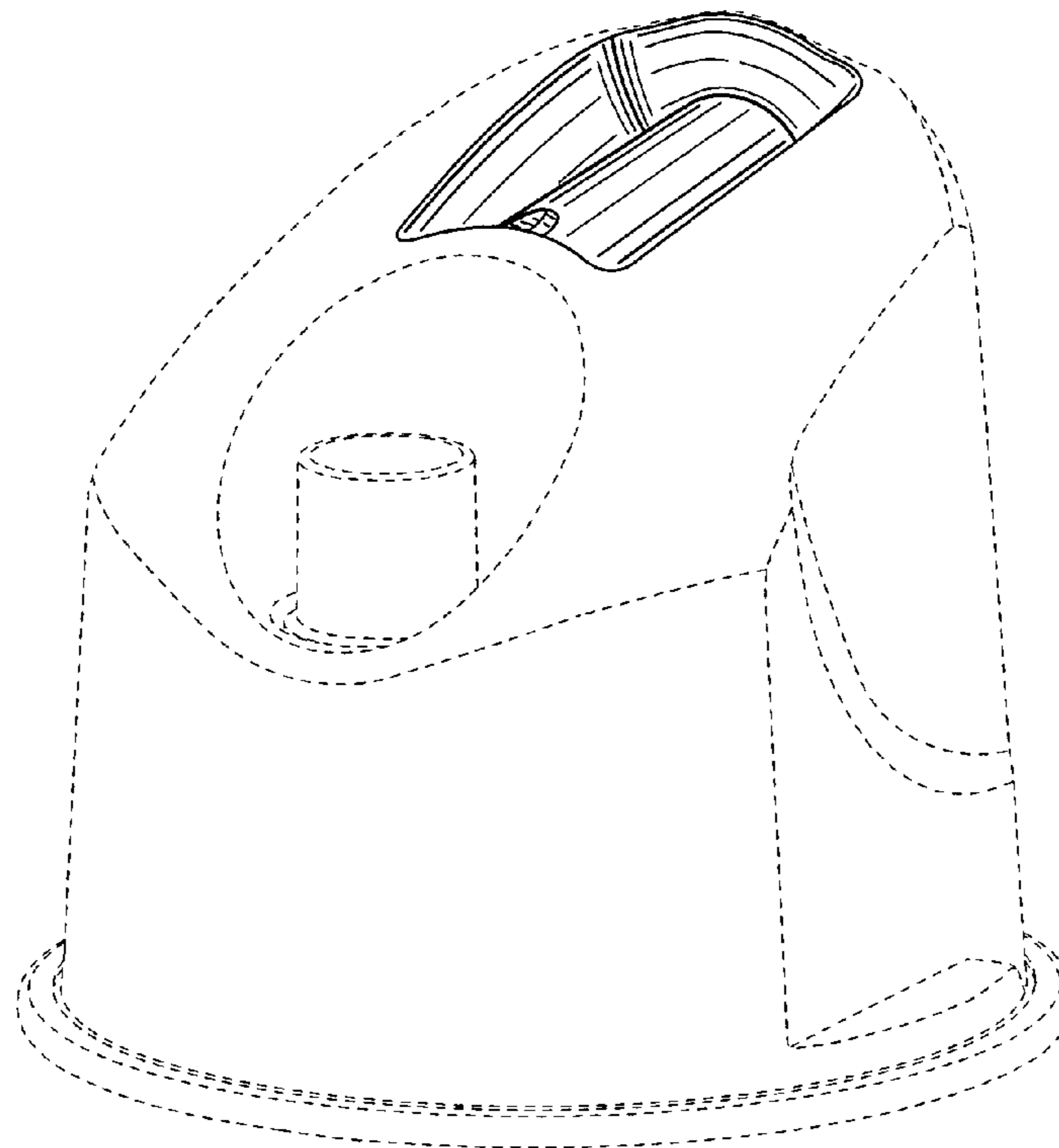
FIG. 1 is a front perspective view of a humidifier tub for a respiratory apparatus according to an embodiment of our design;

FIG. 2 is a front view thereof; and,

FIG. 3 is a top view thereof.

Where included, broken lines showing environment or structure are for illustrative purposes only and form no part of the claimed design.

1 Claim, 2 Drawing Sheets



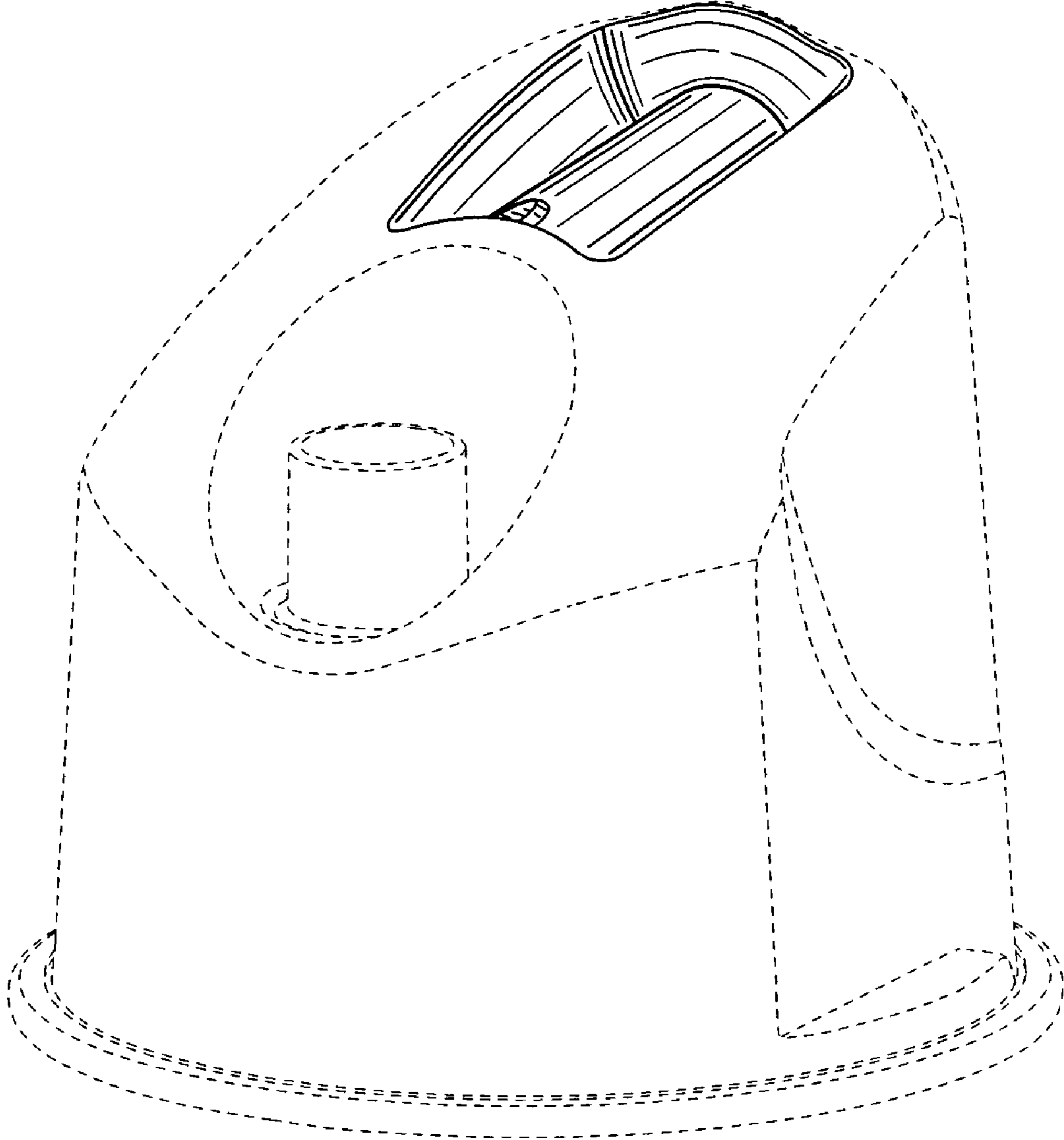


Fig. 1

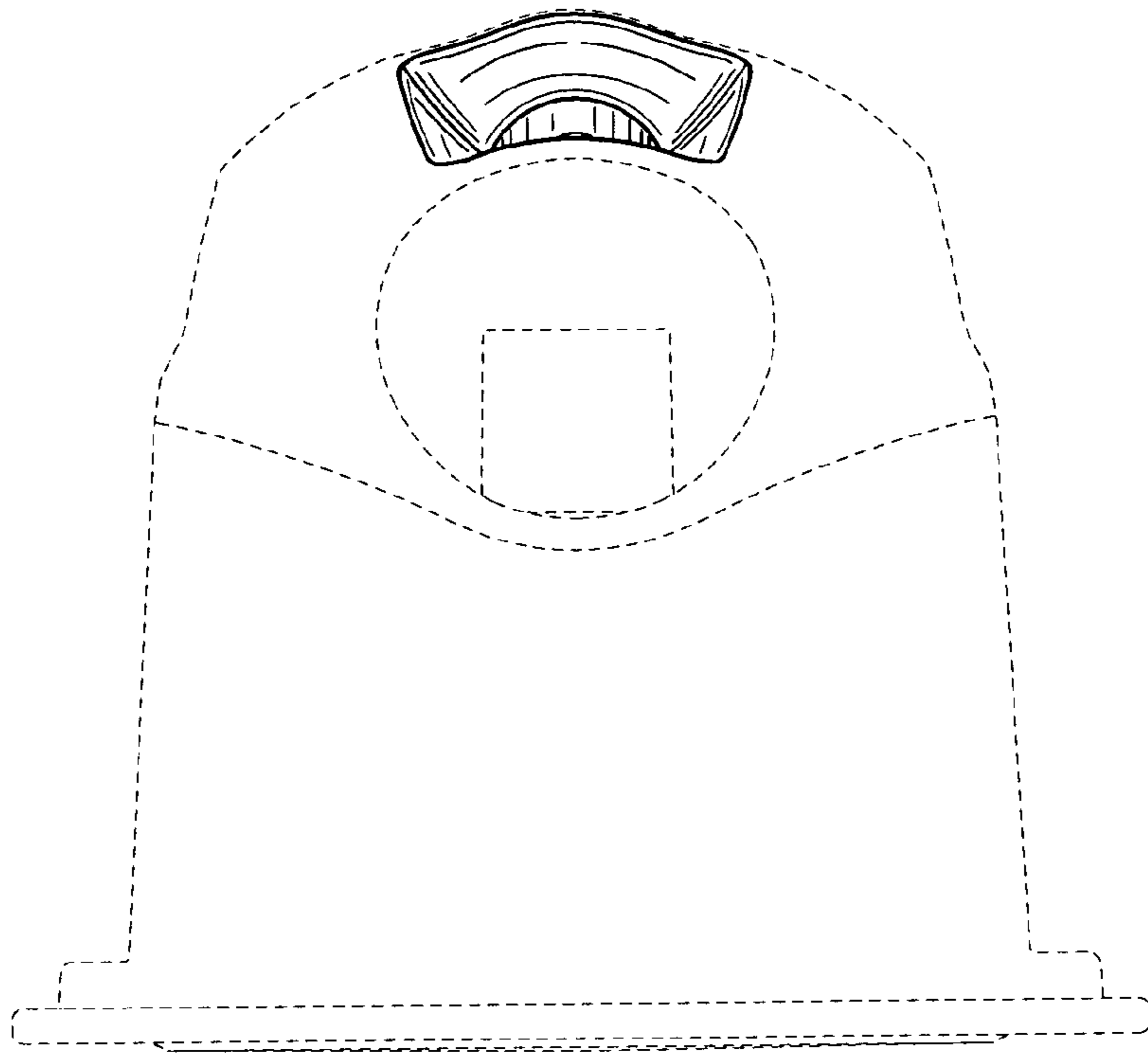


Fig. 2

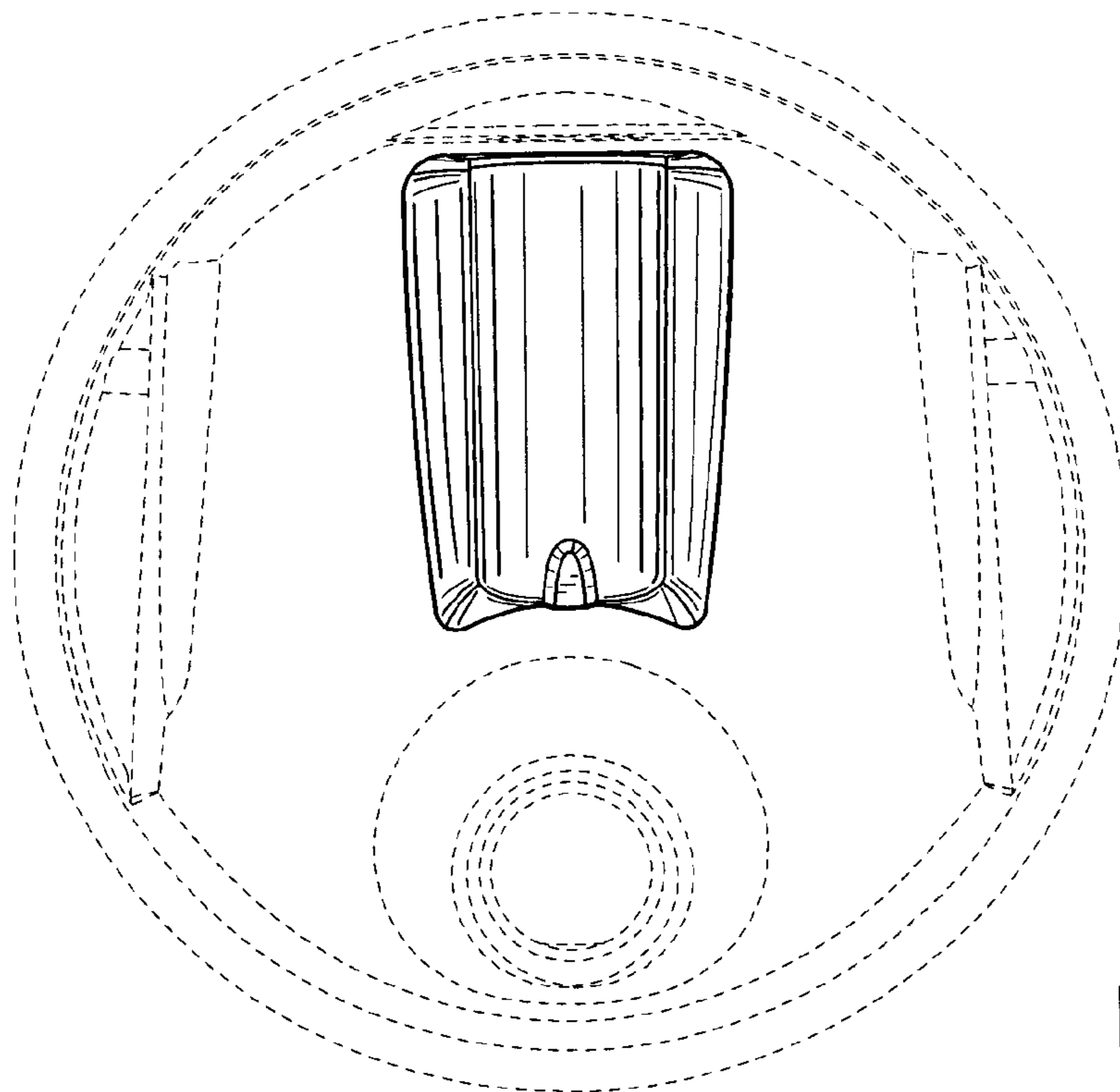


Fig. 3