



US00D579536S

(12) **United States Design Patent**
Oh et al.

(10) **Patent No.:** **US D579,536 S**
(45) **Date of Patent:** **** Oct. 28, 2008**

(54) **OUTDOOR UNIT OF AIR CONDITIONER**

(75) Inventors: **San hui Oh**, Seoul (KR); **Joo Hee Ryu**,
Kyunggi-do (KR)

(73) Assignee: **Samsung Electronics Co., Ltd.**, Suwon
(KR)

(**) Term: **14 Years**

(21) Appl. No.: **29/301,803**

(22) Filed: **Mar. 17, 2008**

(51) **LOC (8) Cl.** **23-04**

(52) **U.S. Cl.** **D23/351**

(58) **Field of Classification Search** D23/351-354;
312/236; 454/201-204; 62/259.1, 259.4,
62/262-263, 304, 324.1

See application file for complete search history.

(56) **References Cited**

U.S. PATENT DOCUMENTS

D443,349 S *	6/2001	Nonaka	D23/351
D463,540 S *	9/2002	Kammer et al.	D23/351
D495,407 S *	8/2004	Asaoka et al.	D23/351
D497,983 S *	11/2004	Nanjo et al.	D23/351

D508,118 S *	8/2005	Motonishi et al.	D23/351
D513,528 S *	1/2006	Tucker et al.	D23/351
D532,503 S *	11/2006	Shimizu	D23/351
D532,889 S *	11/2006	Shimizu	D23/351

* cited by examiner

Primary Examiner—Brian N Vinson

(74) *Attorney, Agent, or Firm*—Ladas and Parry LLP

(57) **CLAIM**

We claim the ornamental design for outdoor unit of air conditioner, as shown.

DESCRIPTION

FIG. 1 is a front/right-side/top perspective view of an outdoor unit of air conditioner showing our new design;

FIG. 2 is a front-side elevational view thereof;

FIG. 3 is a rear-side elevational view thereof;

FIG. 4 is a left-side elevational view thereof;

FIG. 5 is a right-side elevational view thereof;

FIG. 6 is a top-side elevational view thereof; and,

FIG. 7 is a bottom-side elevational view thereof.

1 Claim, 6 Drawing Sheets

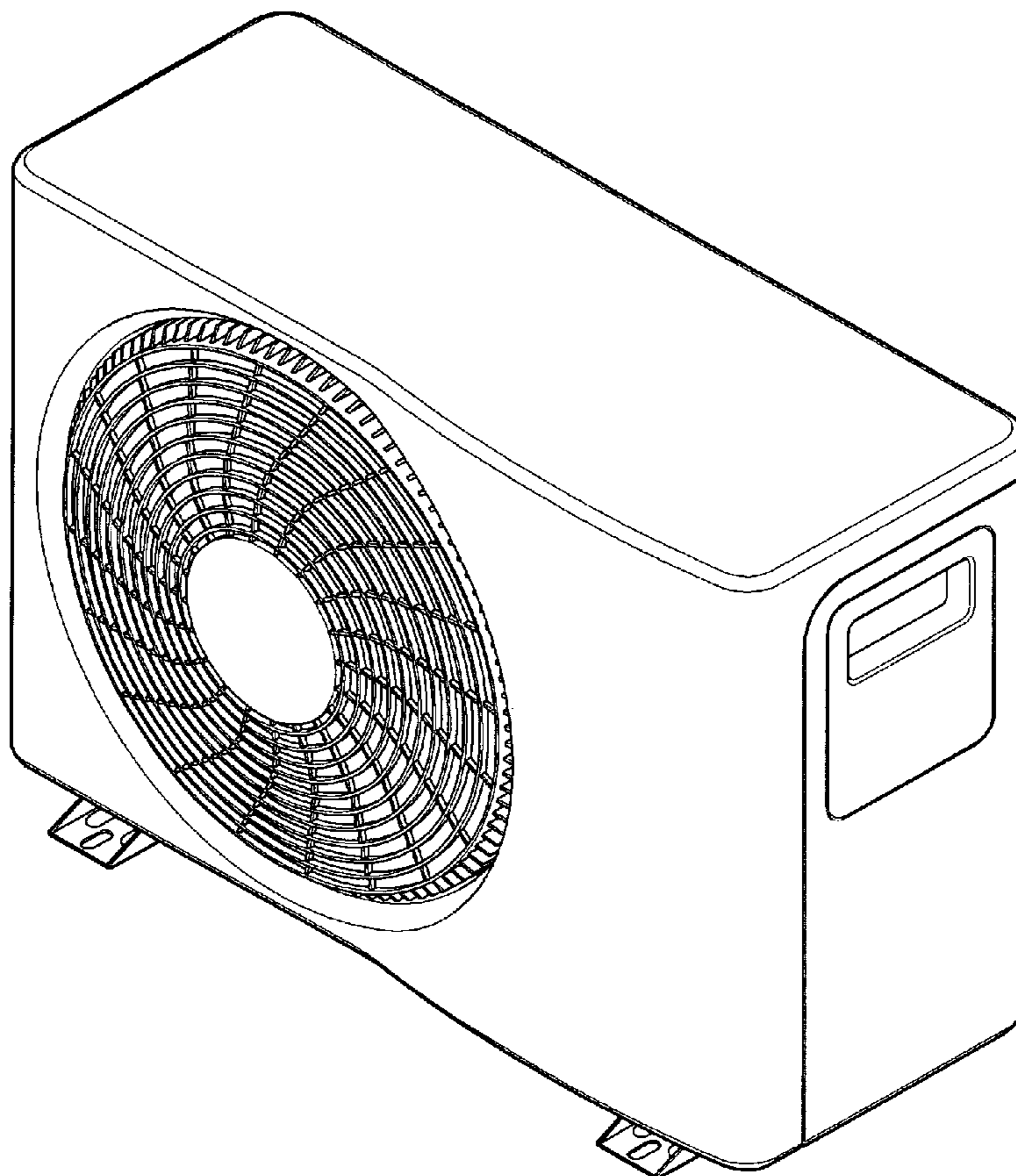


FIG. 1

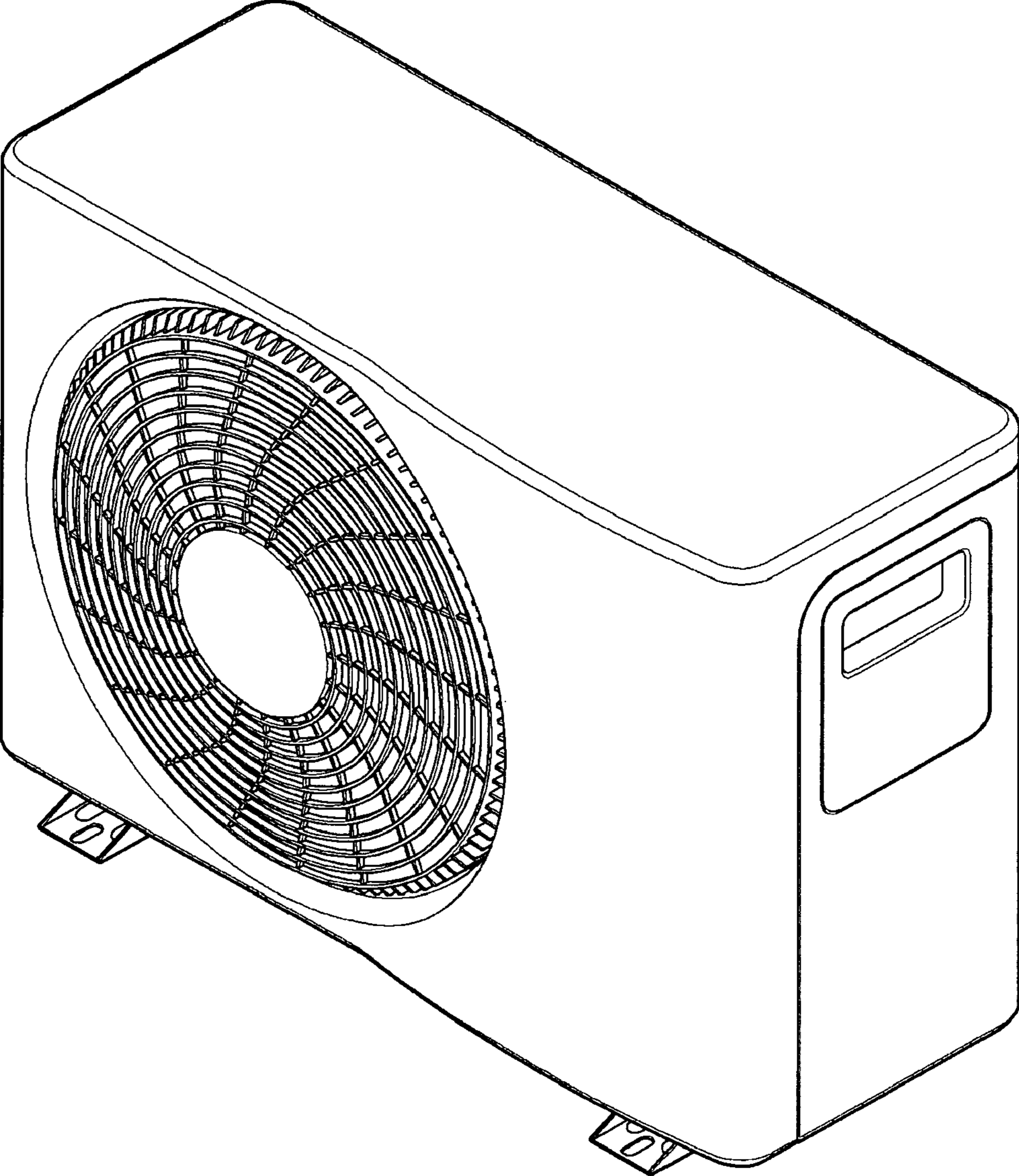


FIG. 2

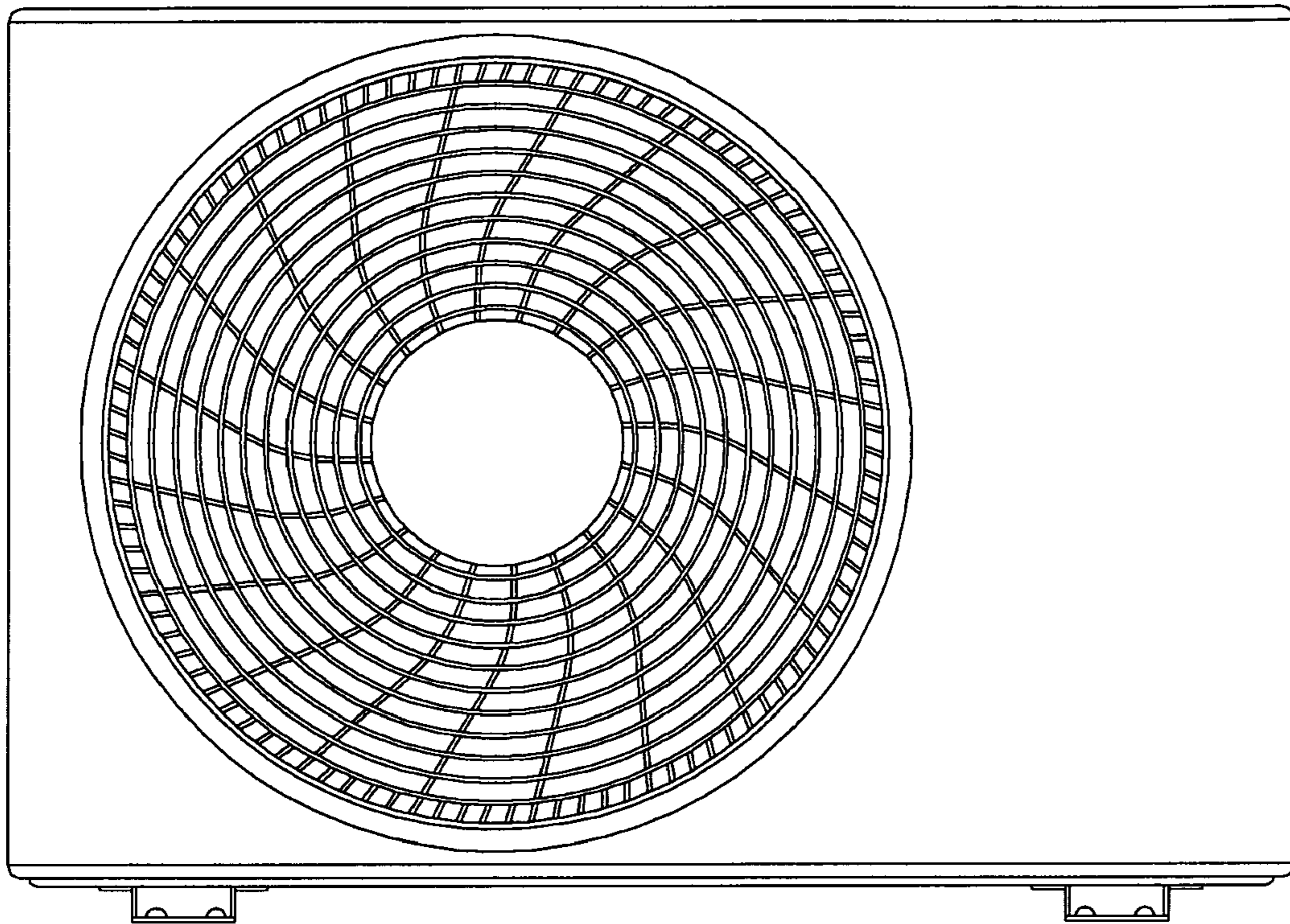


FIG. 3

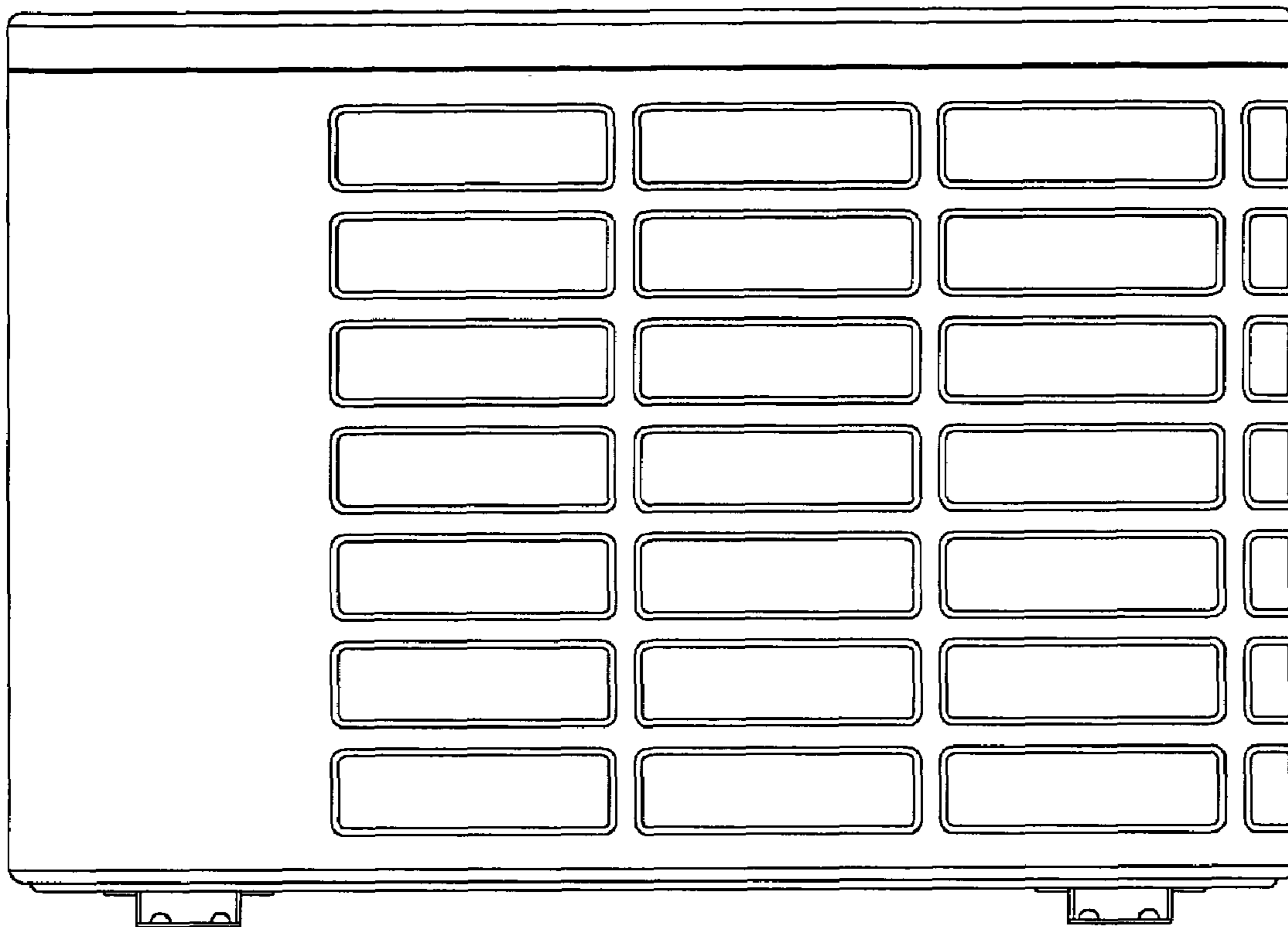


FIG. 4

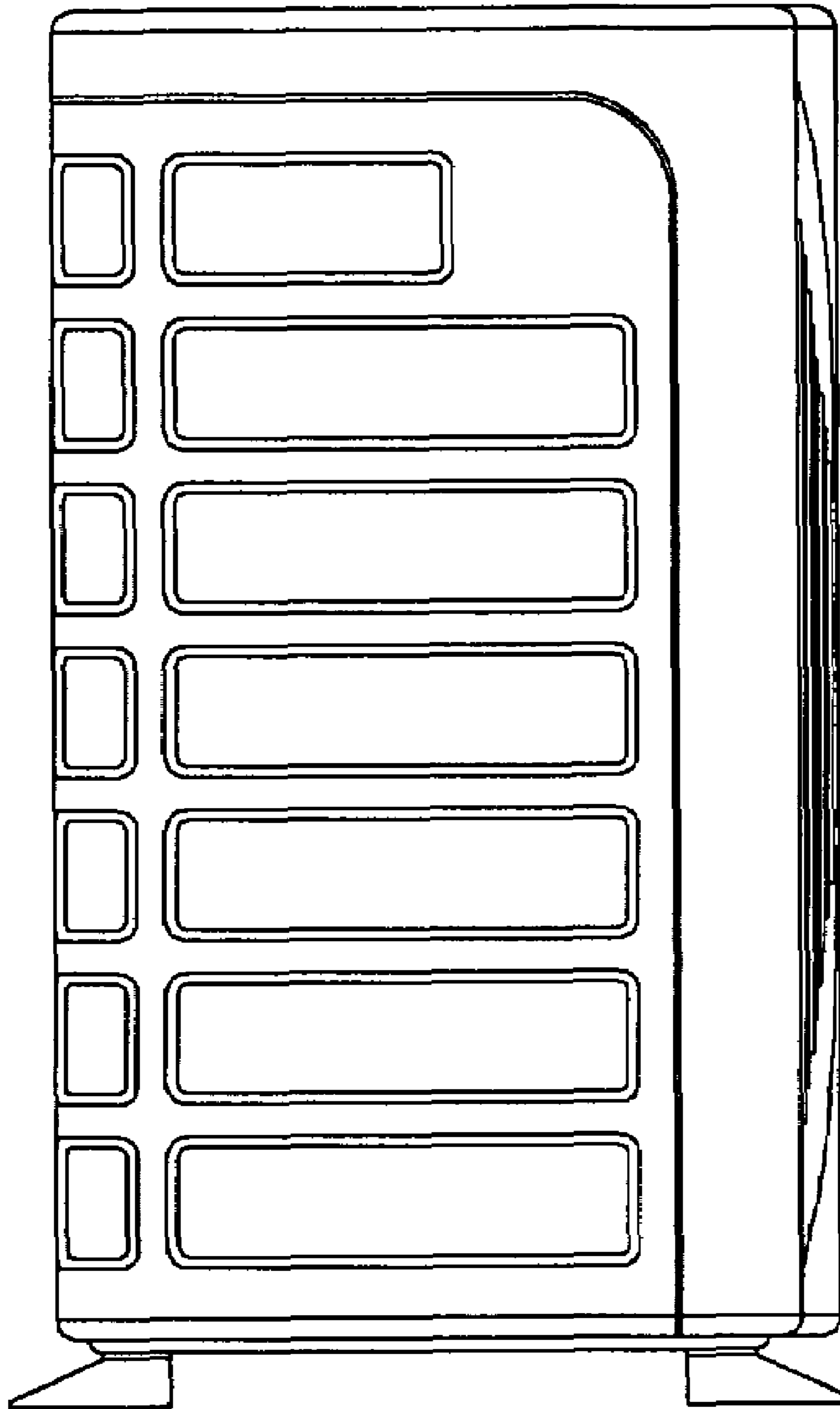


FIG. 5

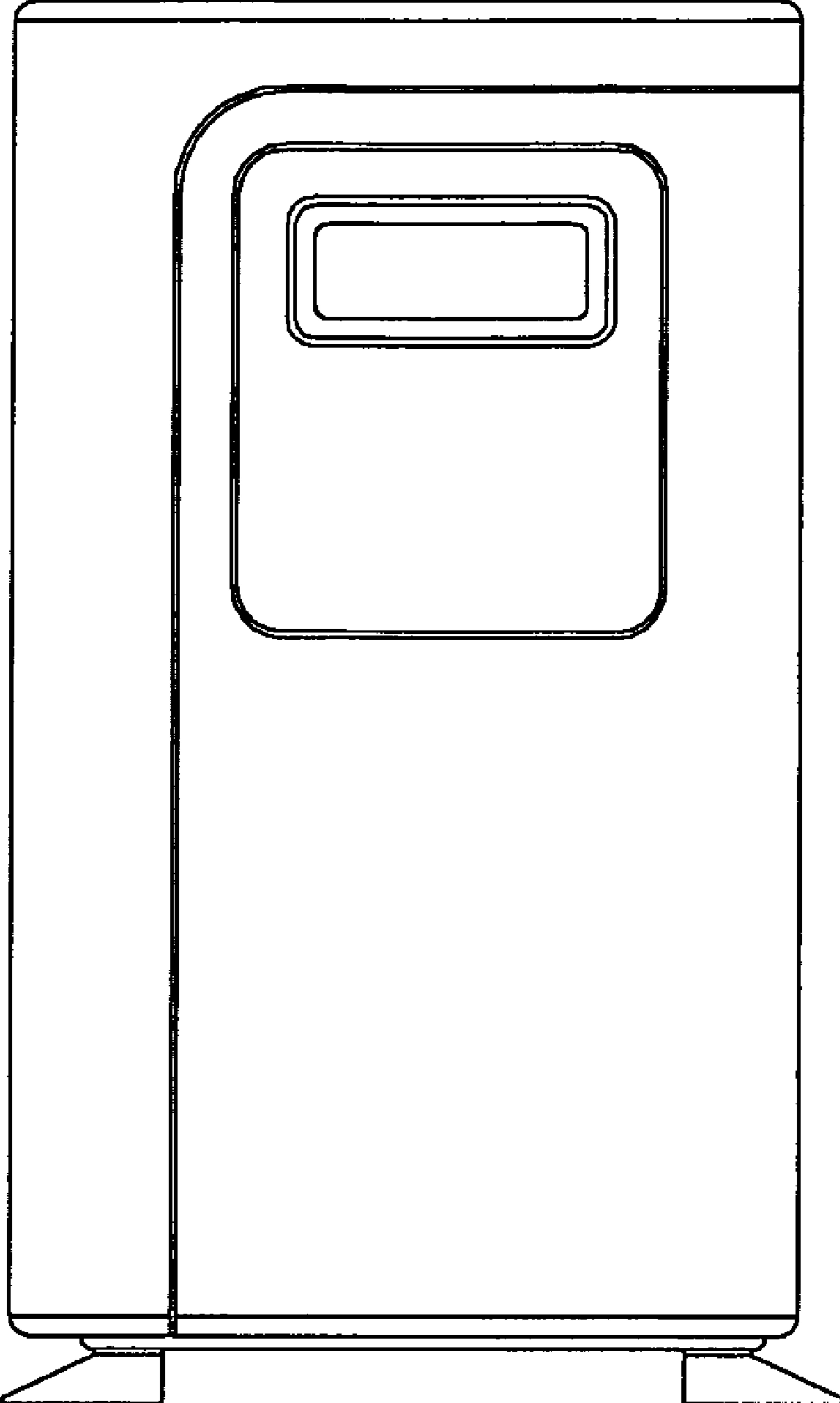


FIG. 6

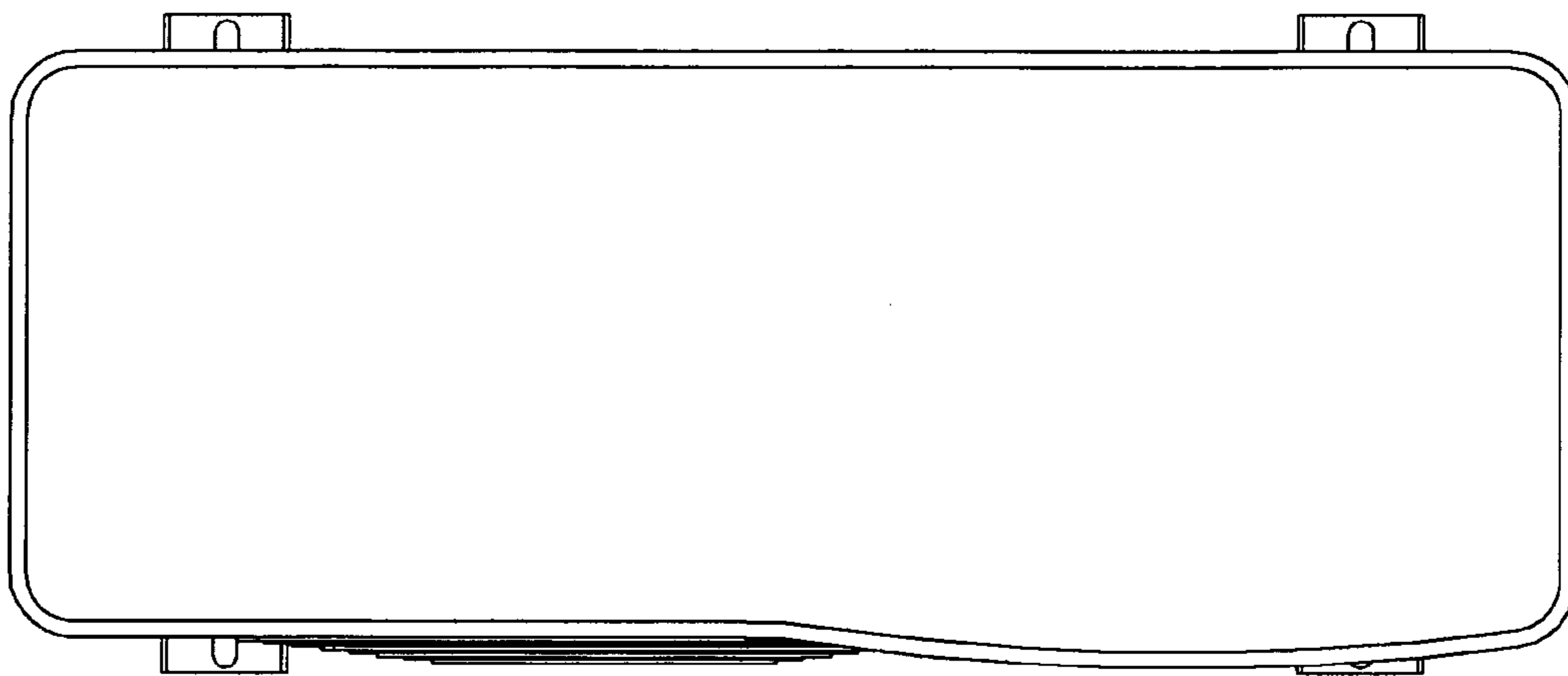


FIG. 7

