



US00D579535S

(12) **United States Design Patent**
Hsu

(10) **Patent No.:** **US D579,535 S**

(45) **Date of Patent:** **** *Oct. 28, 2008**

(54) **ELECTRIC SPACE HEATER**

(76) Inventor: **Kuei-Chih Hsu**, Yongmei Garden 25,
Meihua Fazenda, Minzhi Village,
Longhua town, Baoan Shenzhen (CN)

(*) Notice: This patent is subject to a terminal disclaimer.

(**) Term: **14 Years**

(21) Appl. No.: **29/277,762**

(22) Filed: **Mar. 8, 2007**

(51) **LOC (8) Cl.** **12-01**

(52) **U.S. Cl.** **D23/317**

(58) **Field of Classification Search** D23/317,
D23/332, 335, 370, 381, 382, 329, 314, 328,
D23/330, 336, 339, 340, 342, 348, 352, 355,
D23/356, 362, 363, 364, 366, 375, 376, 385,
D23/390, 403, 414, 499; 419/244 R, 247 R,
419/213.1; 392/373-376, 365-369; 415/213.1
See application file for complete search history.

(56) **References Cited**

U.S. PATENT DOCUMENTS

3,229,070 A * 1/1966 Wells 392/367
D328,336 S * 7/1992 Bertrand D23/335
D383,178 S * 9/1997 Breuil D23/332

D401,314 S * 11/1998 Boyle et al. D23/335
D428,985 S * 8/2000 Chang D23/381
D466,598 S * 12/2002 Shih-Ying D23/335

OTHER PUBLICATIONS

http://www.tlc-direct.co.uk/Images/Products/size_3/HEHT2007.JPG 1page.*

* cited by examiner

Primary Examiner—Robert M. Spear

Assistant Examiner—Ania K Dworzecka

(74) *Attorney, Agent, or Firm*—Egbert Law Offices

(57) **CLAIM**

I claim the ornamental design for an electric space heater, as shown and described.

DESCRIPTION

FIG. 1 is a front view of the electric space heater showing my new design;

FIG. 2 is a right side elevational view thereof;

FIG. 3 is a bottom view thereof;

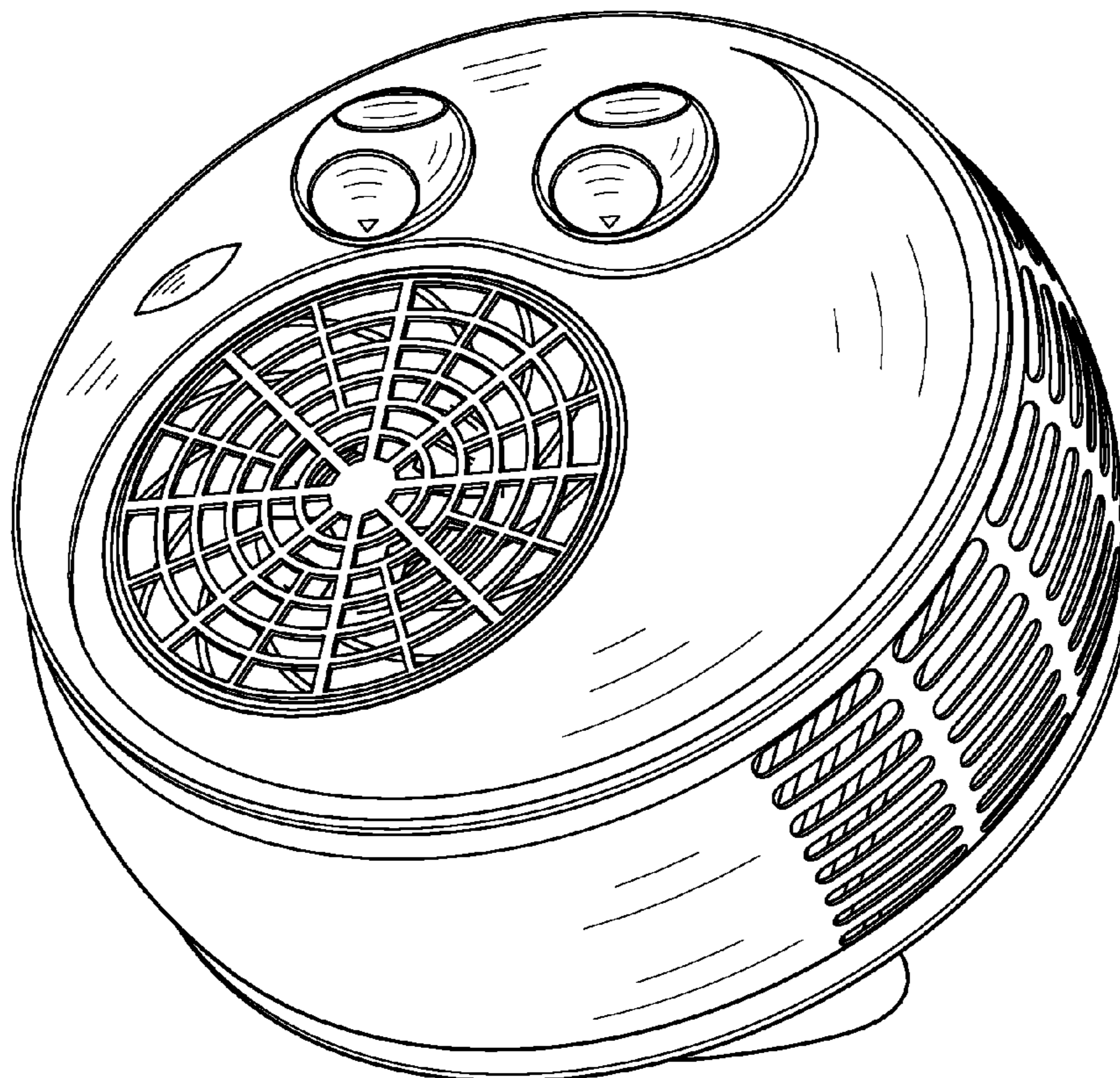
FIG. 4 is a left side elevational view thereof;

FIG. 5 is a top plan view thereof;

FIG. 6 is a rear view thereof; and,

FIG. 7 is a top perspective view thereof.

1 Claim, 7 Drawing Sheets



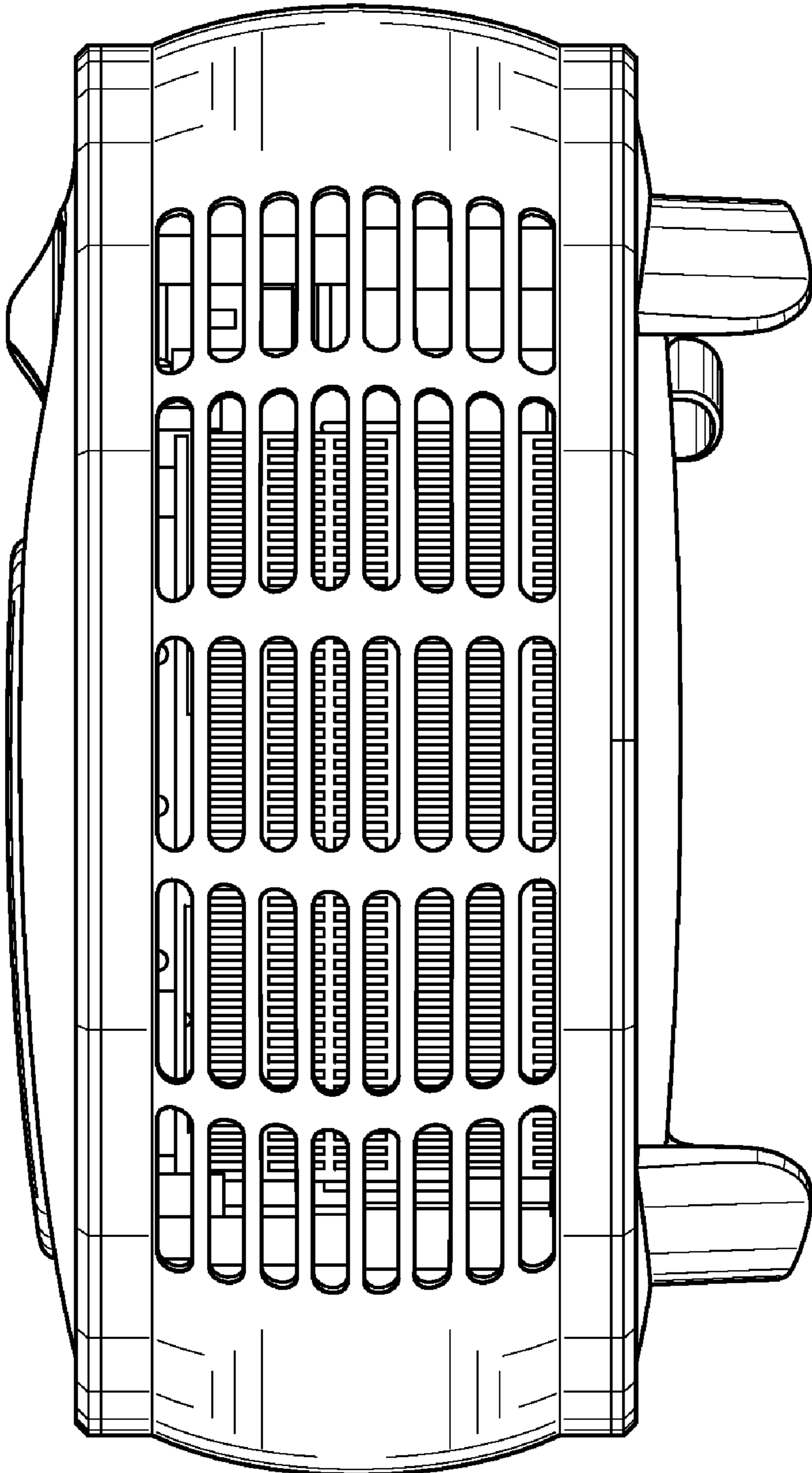


FIG. 1

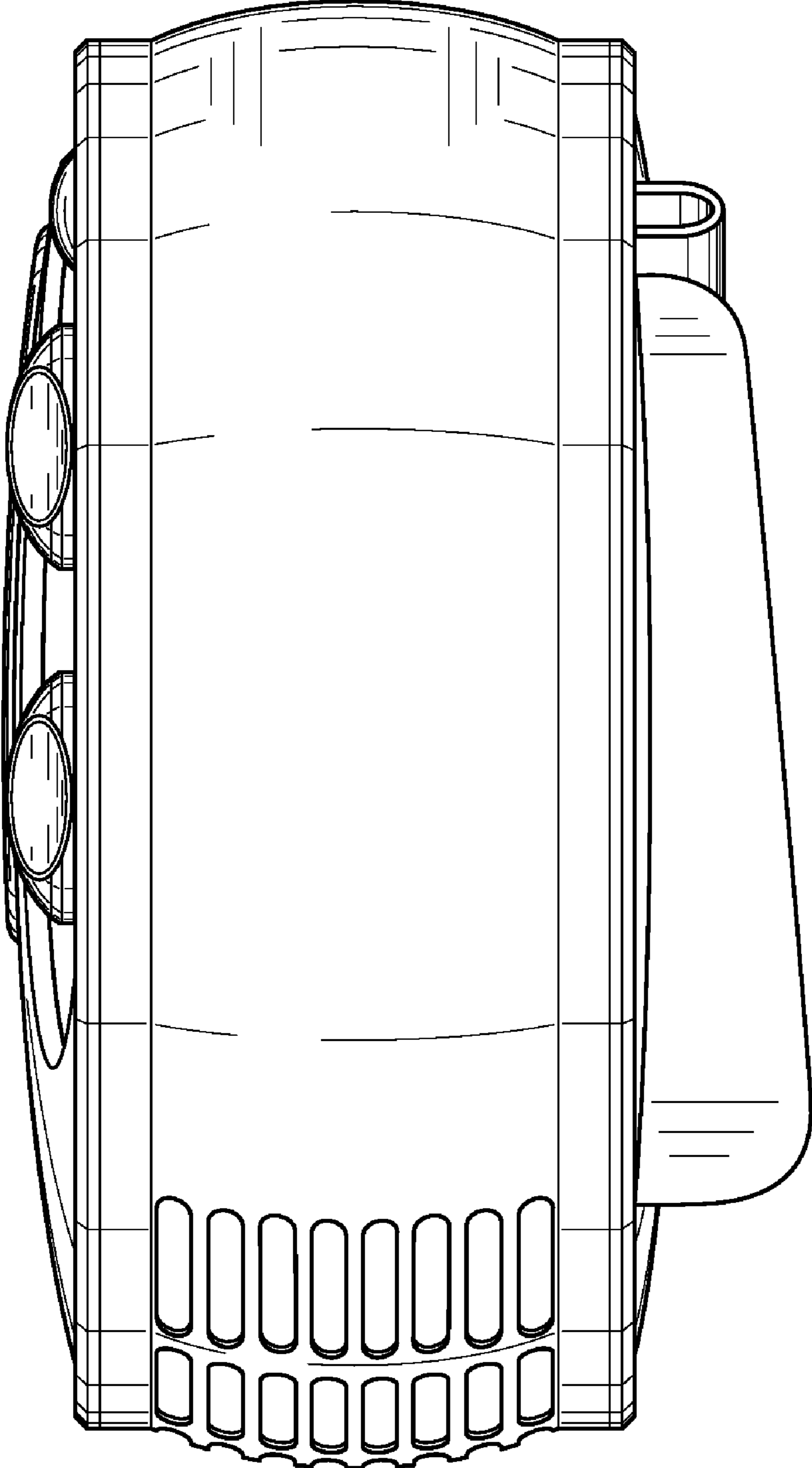


FIG. 2

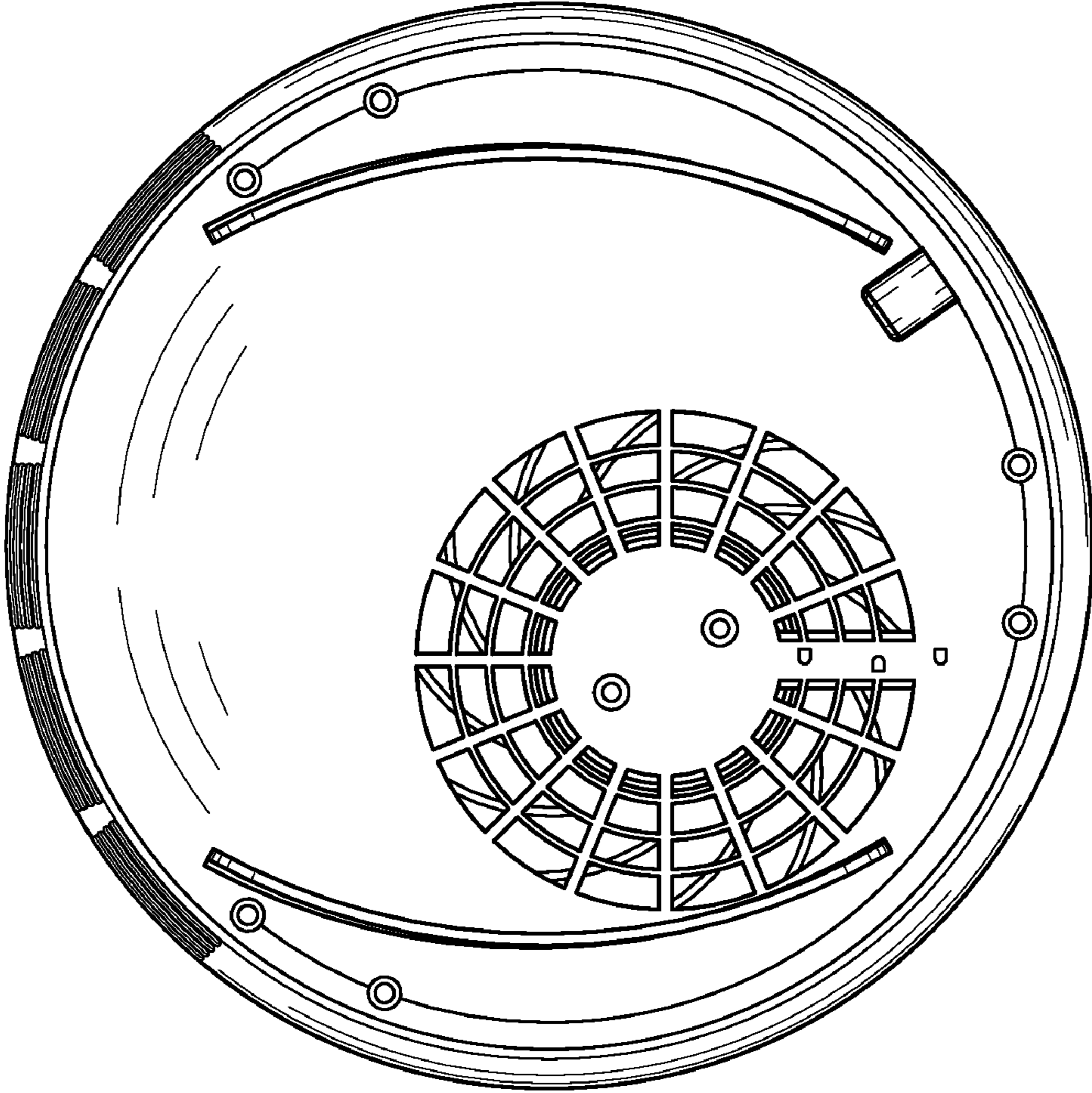


FIG. 3

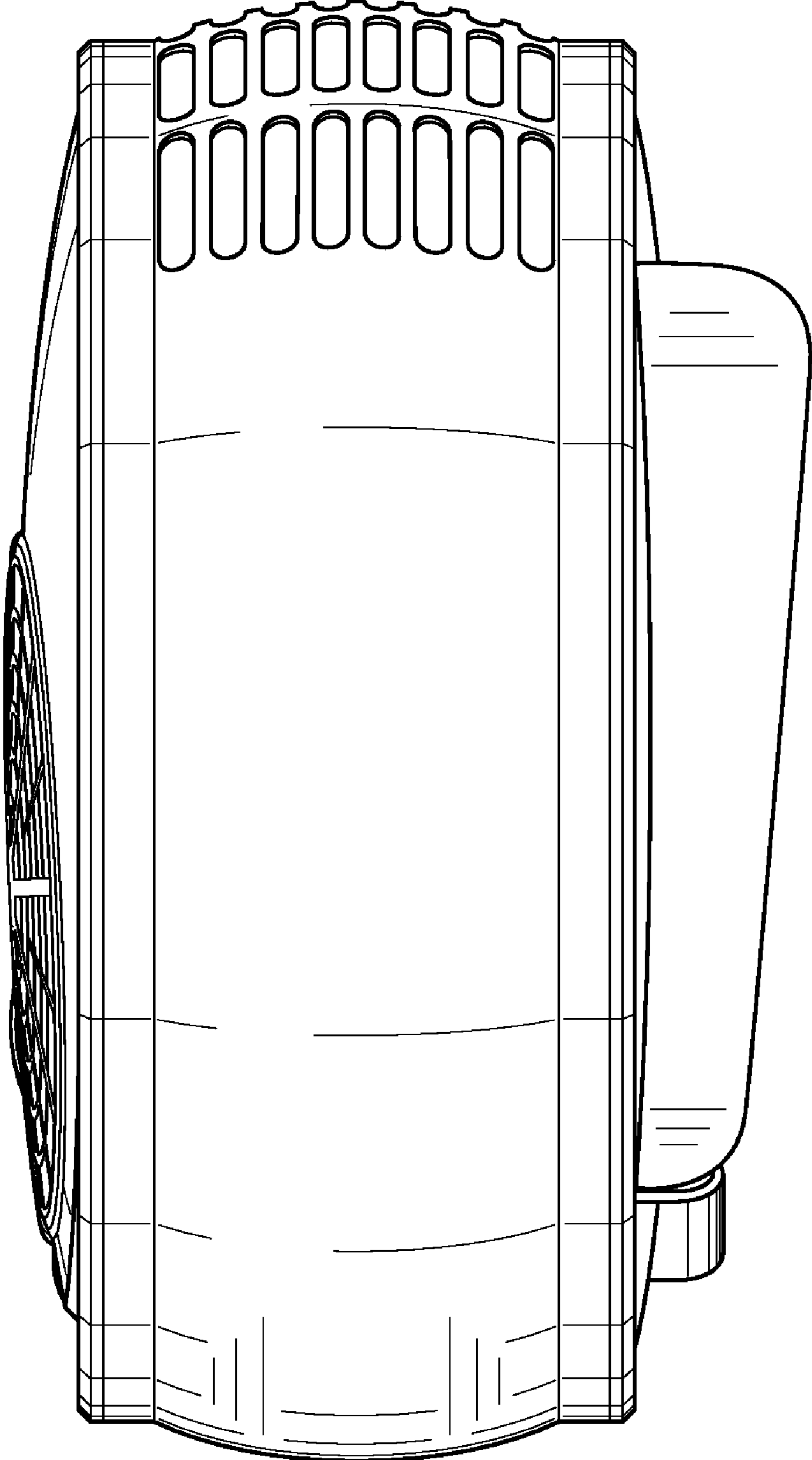


FIG. 4

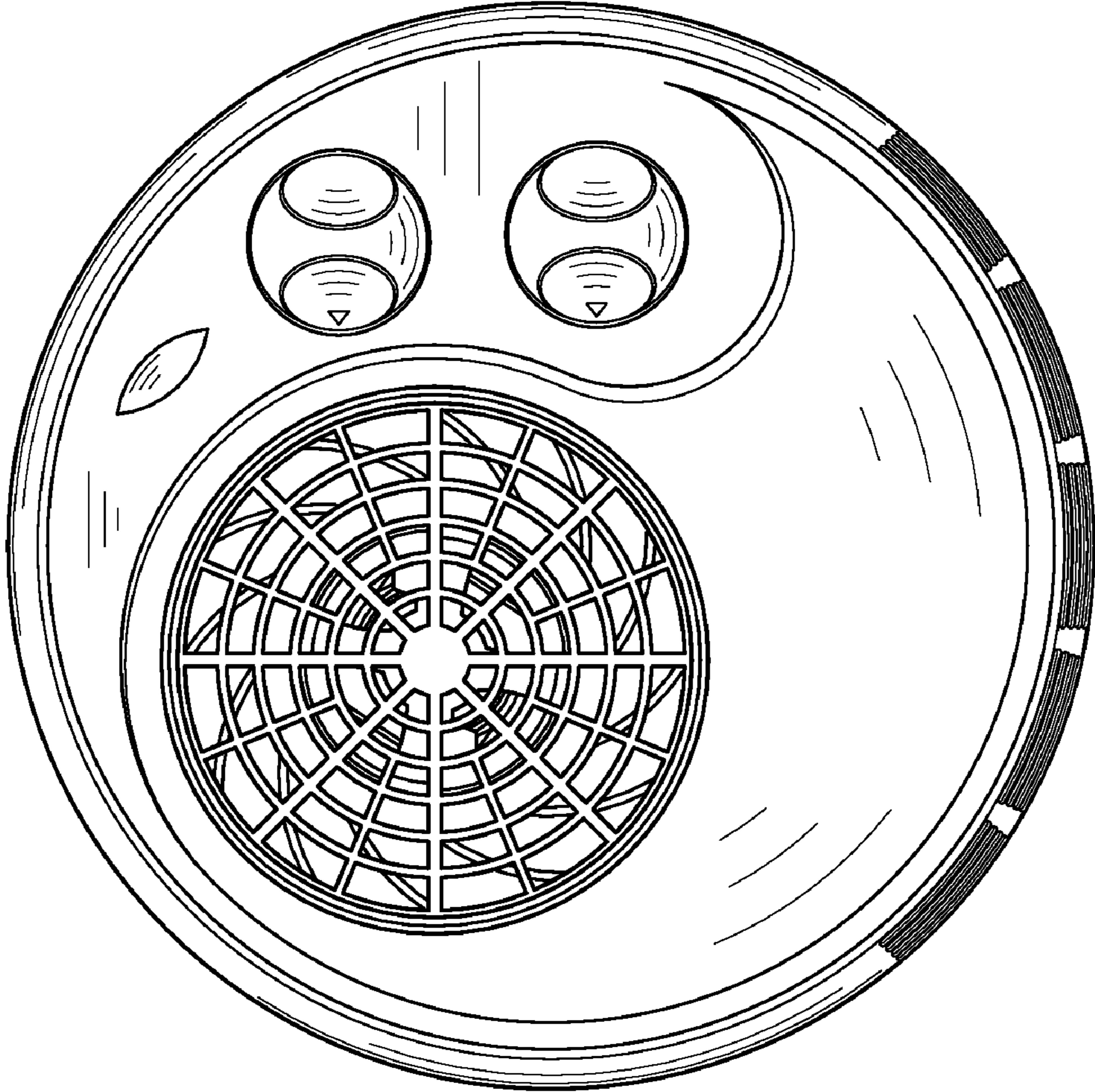


FIG. 5

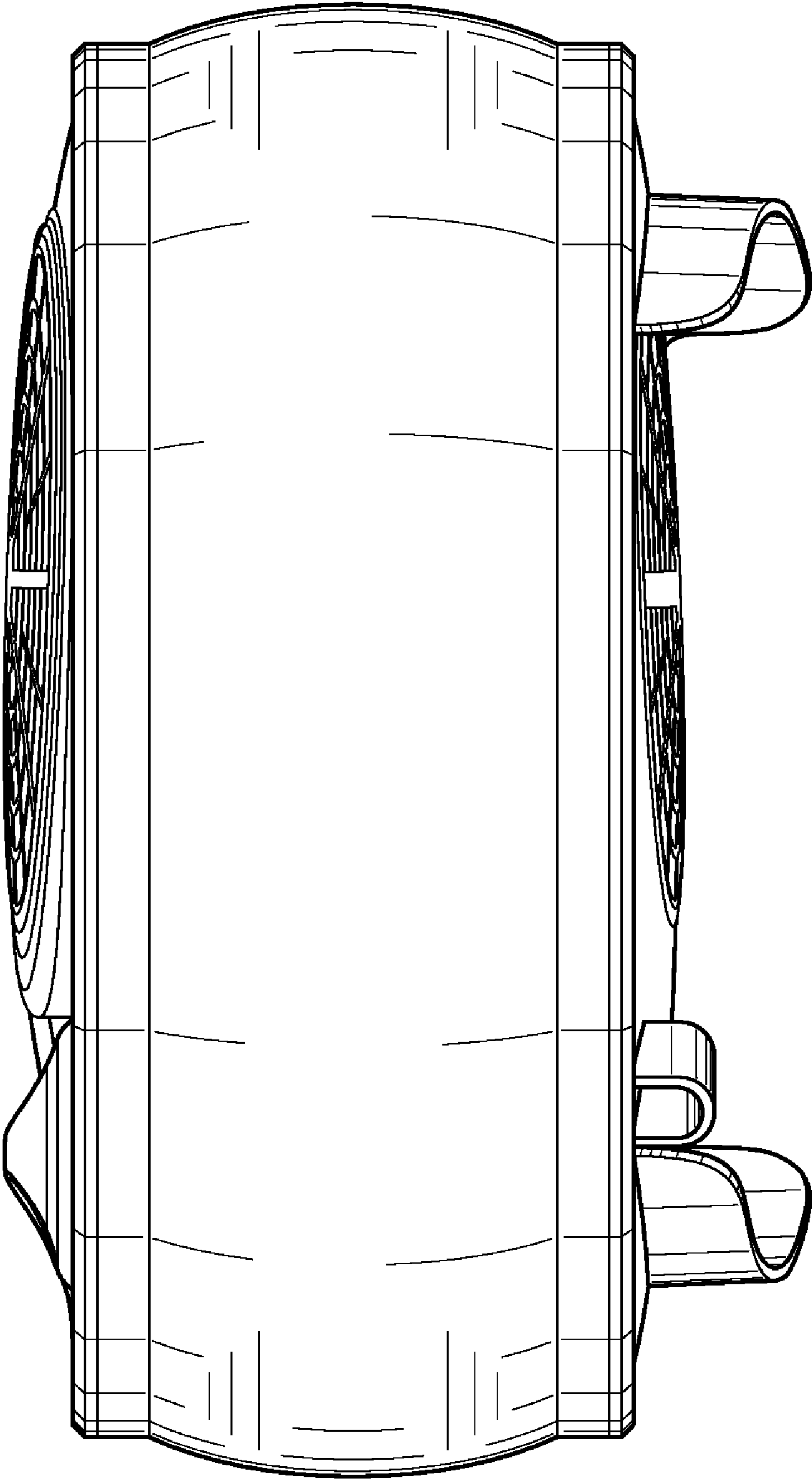


FIG. 6

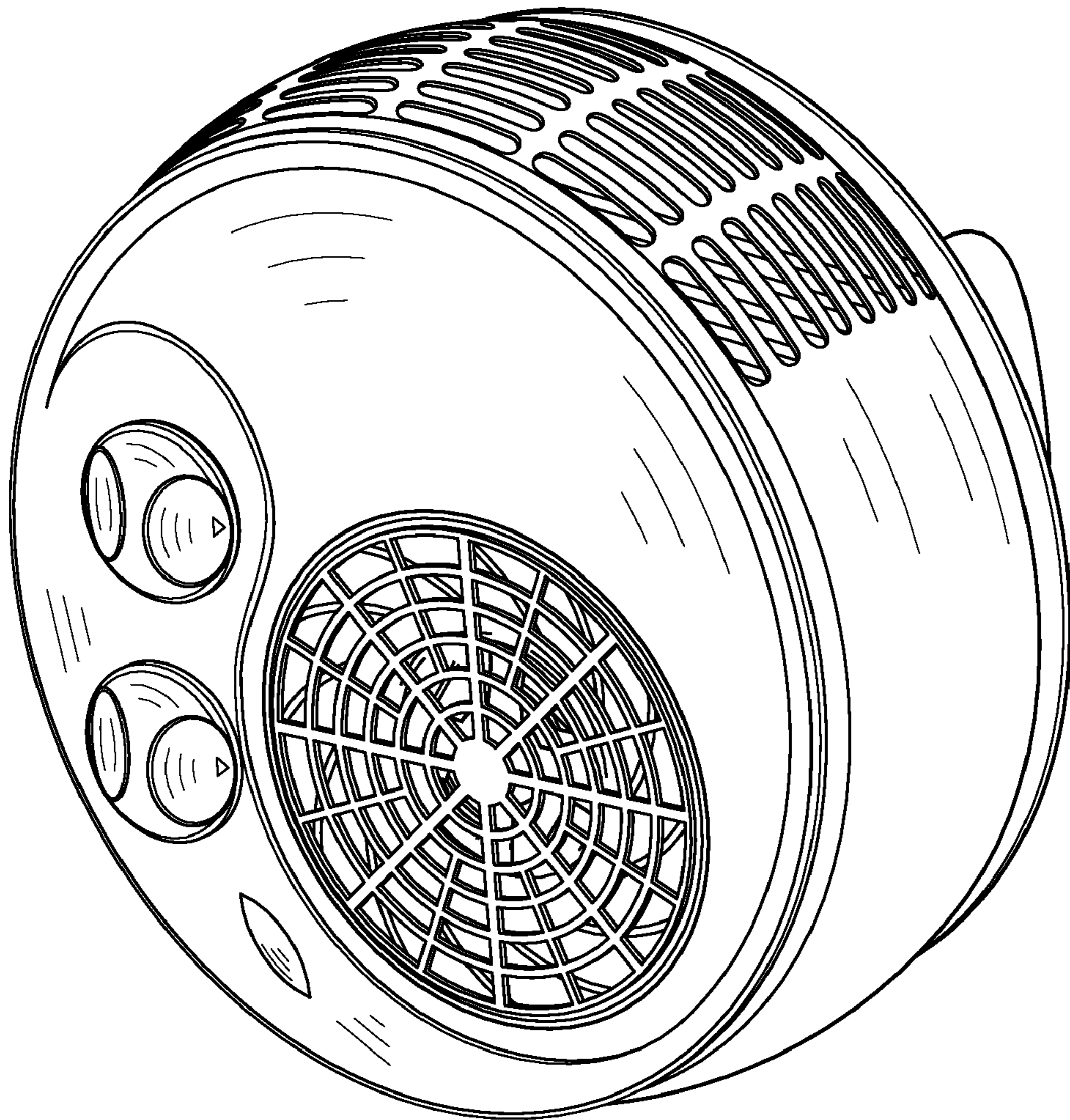


FIG. 7