



US00D579533S

(12) **United States Design Patent**
Cornille et al.

(10) **Patent No.:** **US D579,533 S**
(45) **Date of Patent:** **** Oct. 28, 2008**

(54) **TOILET**

(75) Inventors: **Thomas Cornille**, Farmington, MI (US);
Alessio Presti, Nepi (IT)

(73) Assignee: **Thetford Corporation**, Ann Arbor, MI (US)

(**) Term: **14 Years**

(21) Appl. No.: **29/317,259**

(22) Filed: **Apr. 25, 2008**

(51) **LOC (8) Cl.** **23-02**

(52) **U.S. Cl.** **D23/295**

(58) **Field of Classification Search** D23/273–274,
D23/295–299, 303, 309; 4/663–664, 300,
4/329, 315, 348, 352–353, 420, 443–444
See application file for complete search history.

(56) **References Cited**

U.S. PATENT DOCUMENTS

1,063,247 A * 6/1913 Ebert 4/238
7,353,577 B2 * 4/2008 Davies et al. 4/300

* cited by examiner

Primary Examiner—Robert A Delehanty

(74) *Attorney, Agent, or Firm*—Harness, Dickey & Pierce,
P.L.C.

(57) **CLAIM**

The ornamental design for a toilet, as shown and described.

DESCRIPTION

FIG. 1 is a front perspective view of a toilet in accordance with our new design.

FIG. 2 is a rear perspective view thereof.

FIG. 3 is a front view thereof.

FIG. 4 is a left side view thereof, it being understood that the opposite side to that shown is a substantially mirror image thereof.

FIG. 5 is a front perspective view of another toilet in accordance with our new design.

FIG. 6 is a rear perspective view thereof.

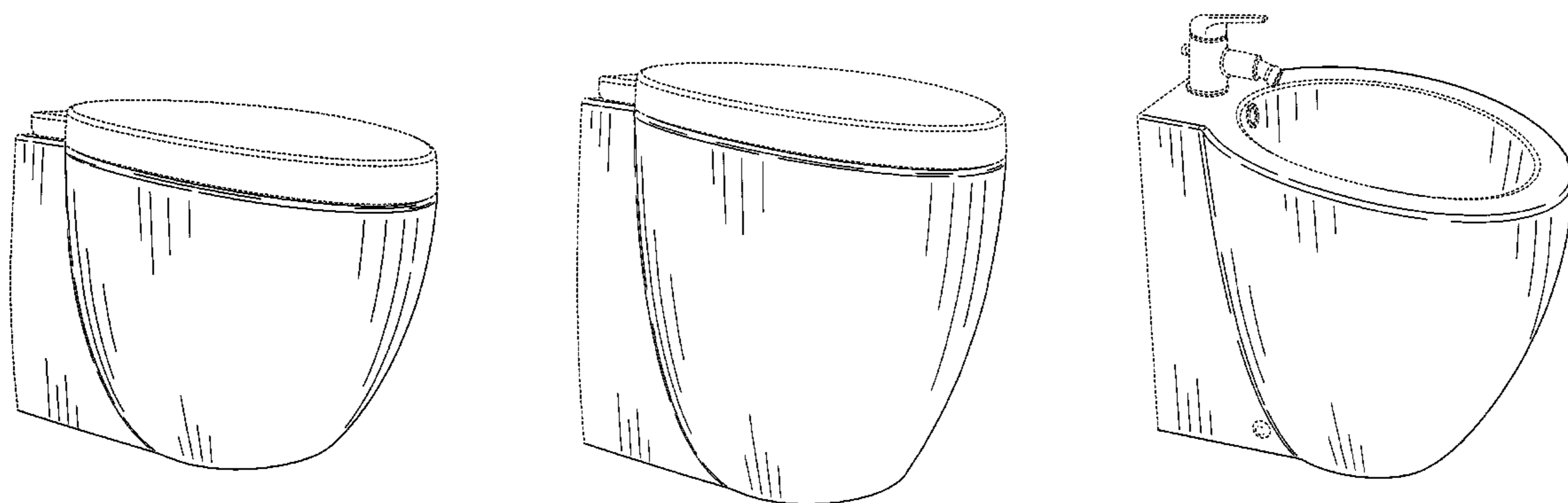
FIG. 7 is a front view thereof.

FIG. 8 is side view thereof, it being understood that the opposite side to that shown is a substantially mirror image thereof; and,

FIG. 9 is a front perspective view of a bidet in accordance with our new design, it being understood that to the extent not otherwise shown, the bidet of FIG. 9 is identical to the toilet of FIGS. 5 through 8.

It will be understood that the hidden lines shown throughout the drawings are for illustration only and form on part of the claimed design.

1 Claim, 8 Drawing Sheets



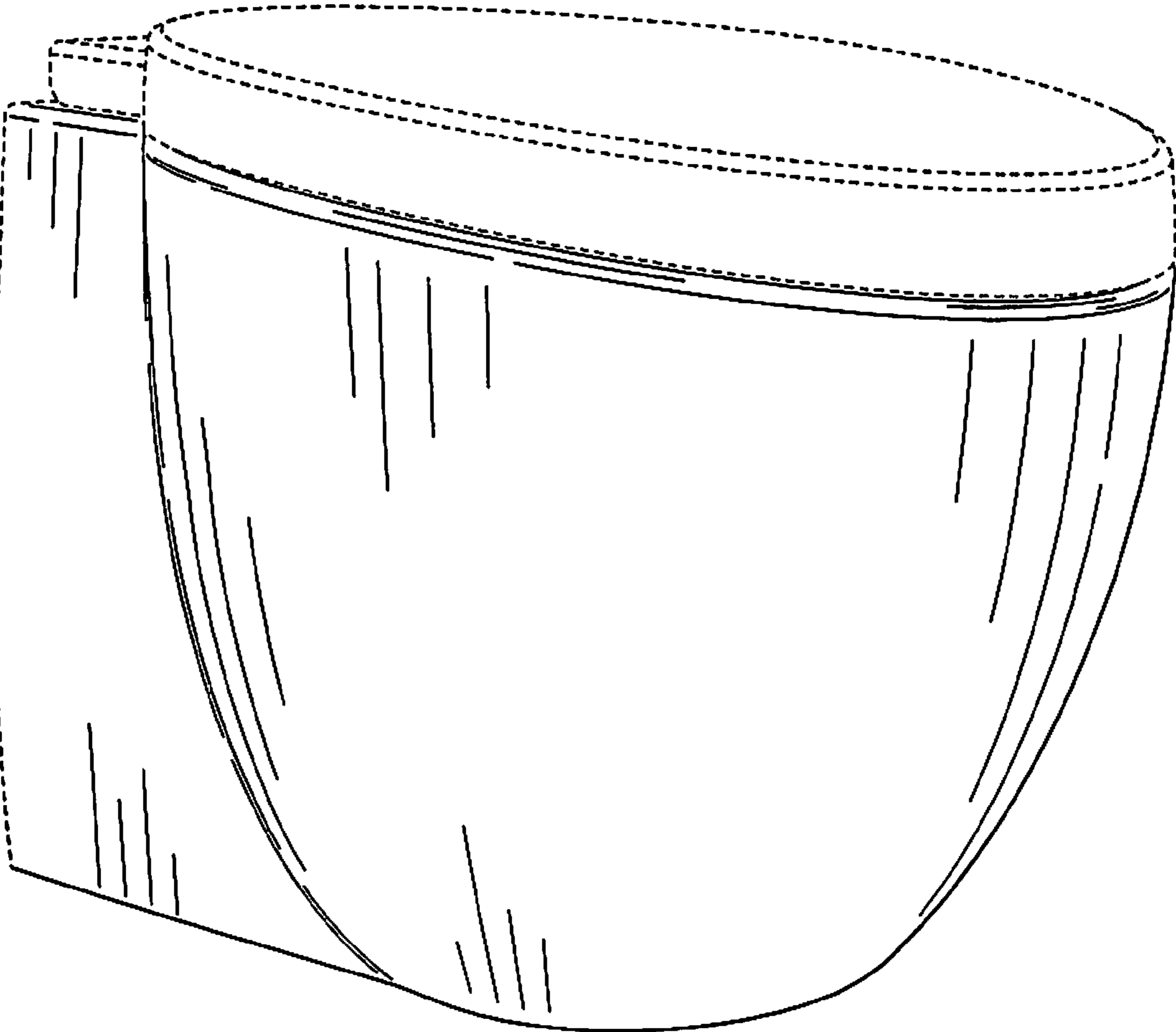


FIG. 1

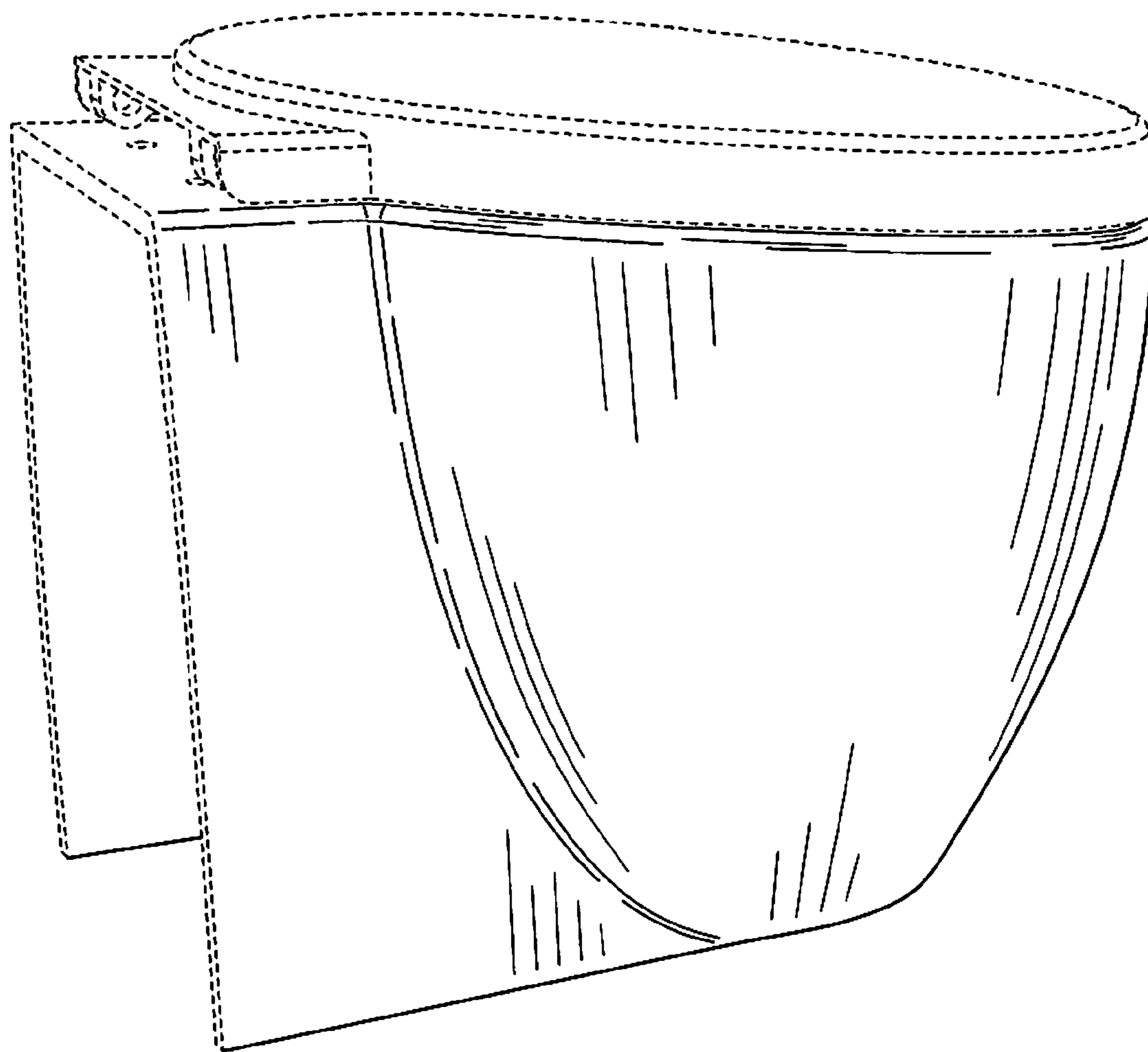


FIG. 2

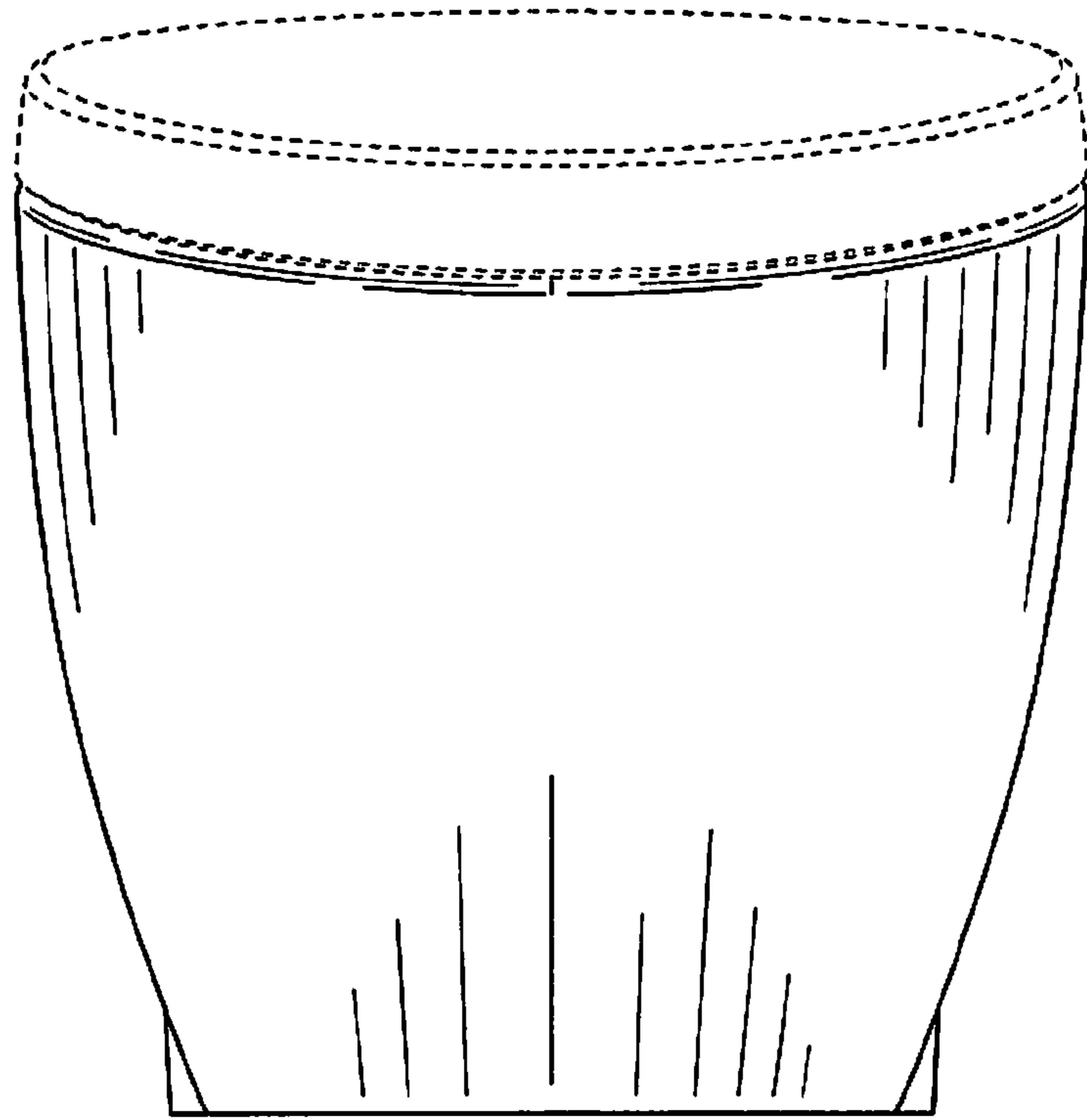


FIG. 3

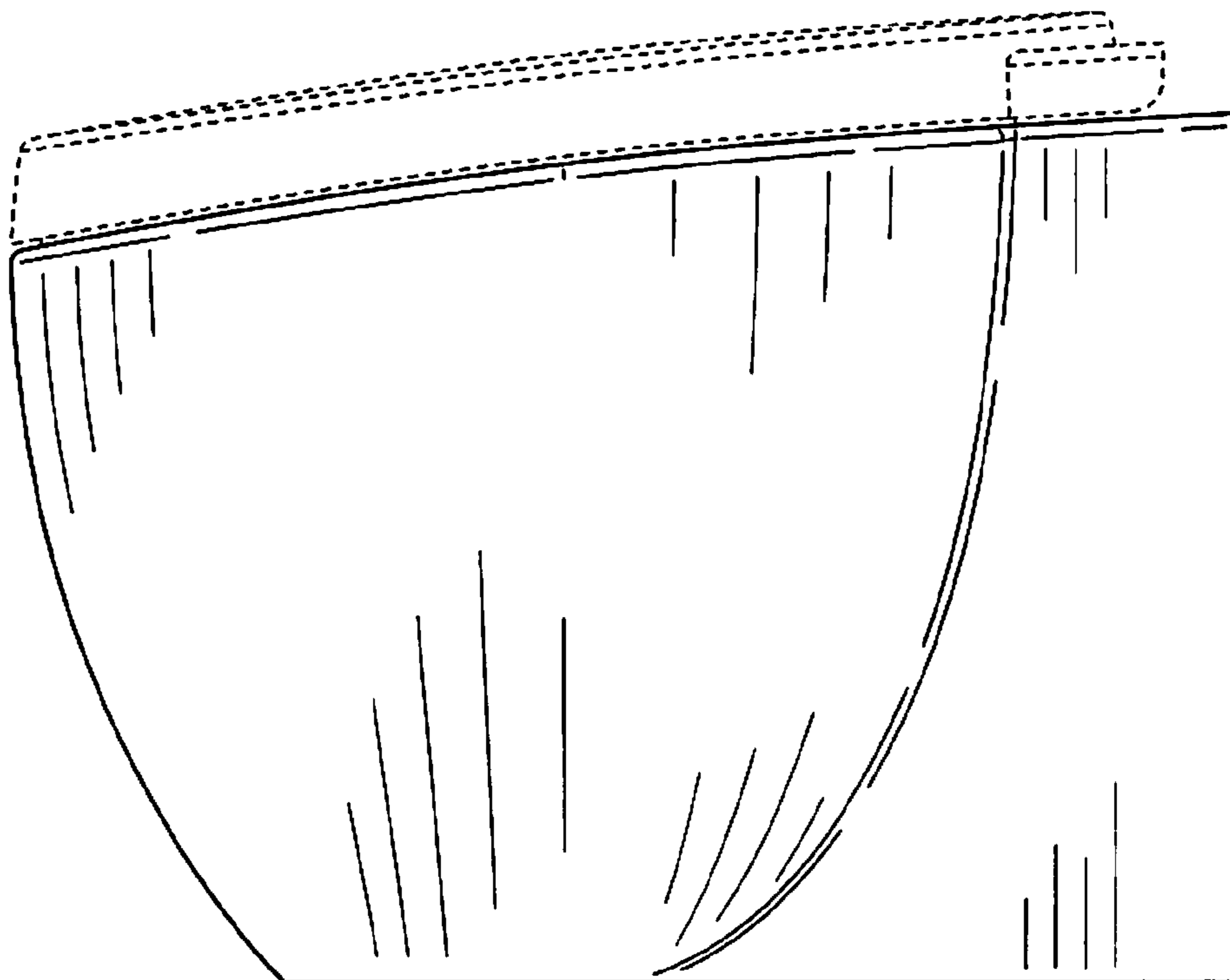


FIG. 4

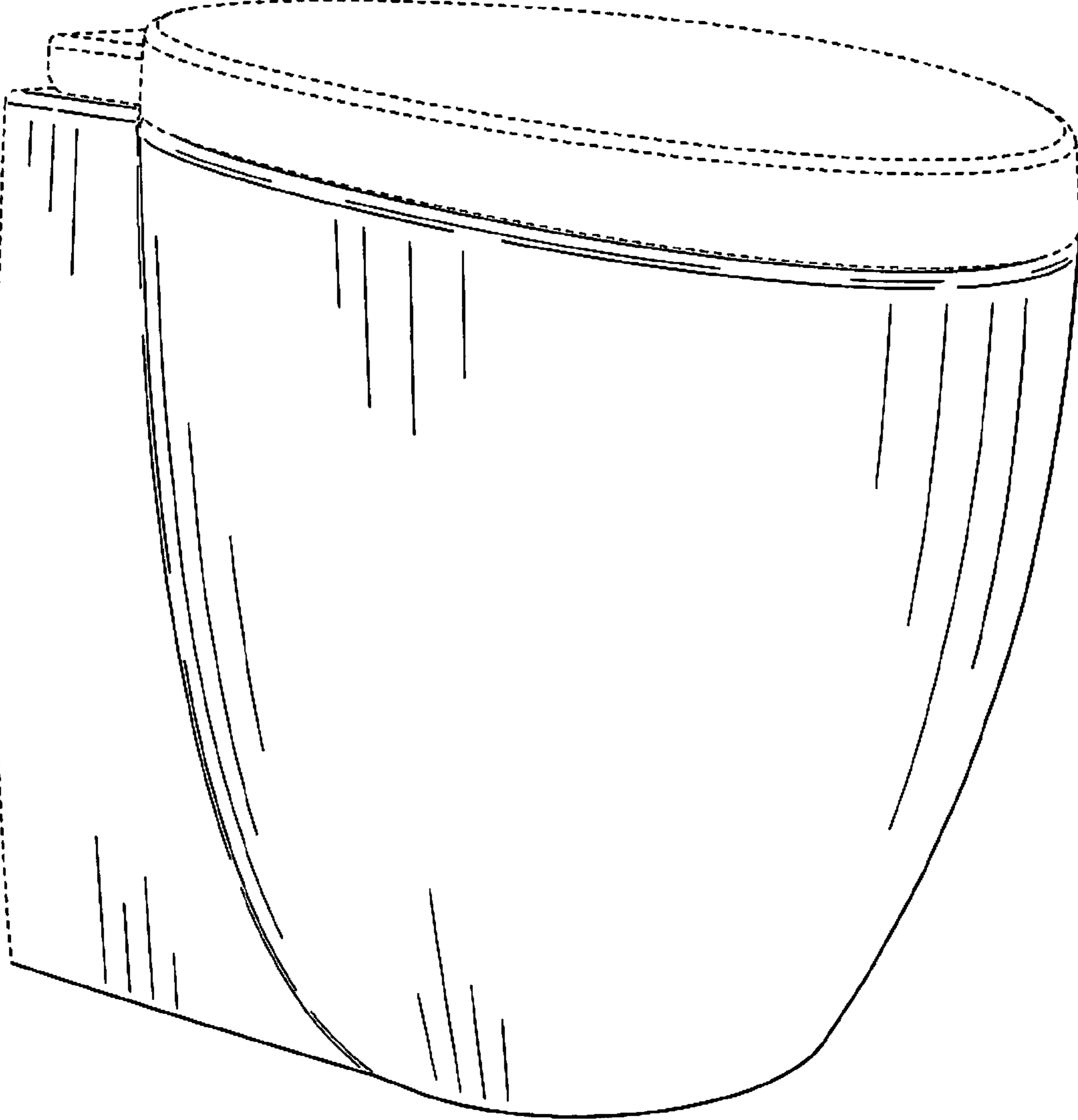


FIG. 5

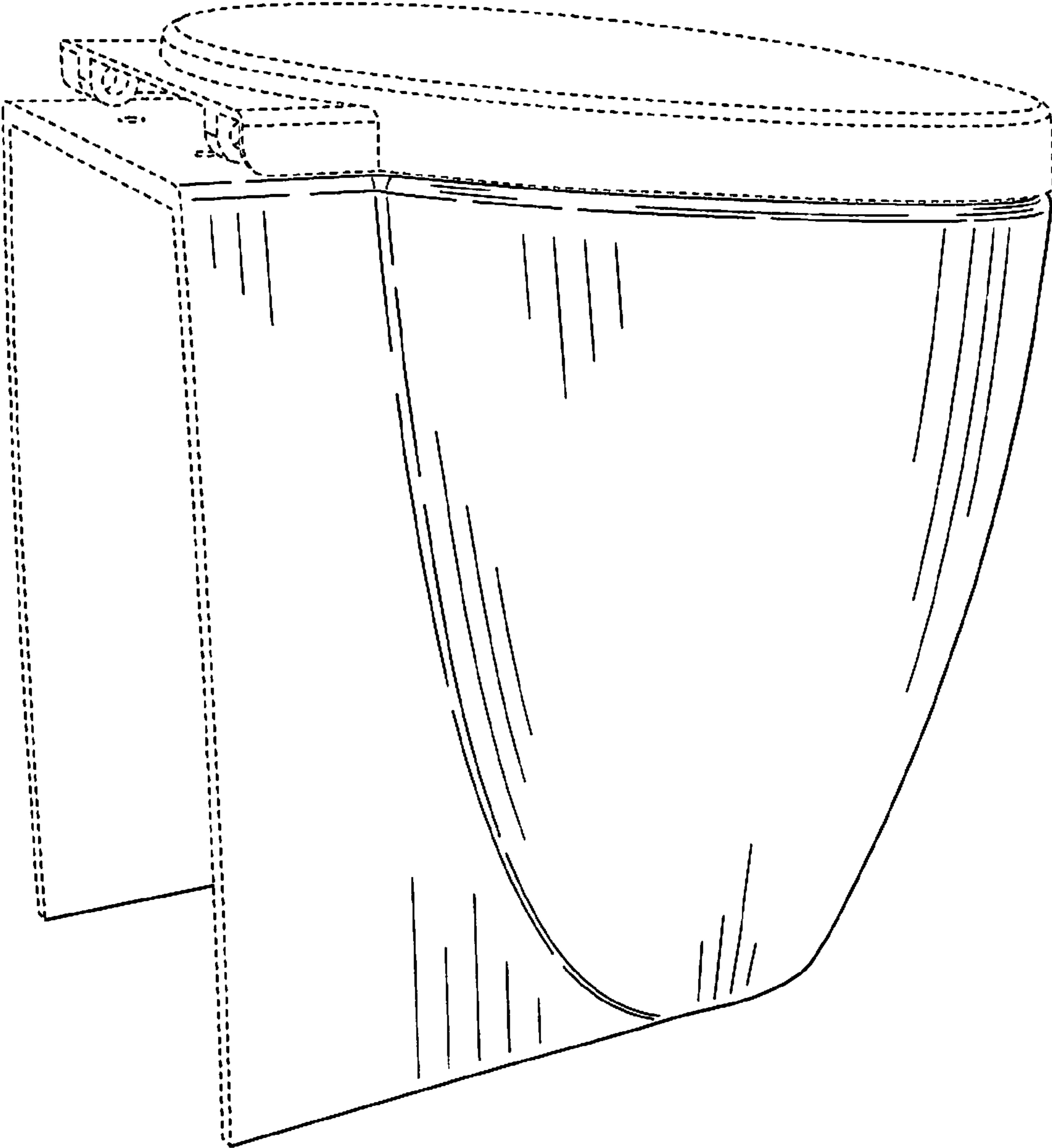


FIG. 6

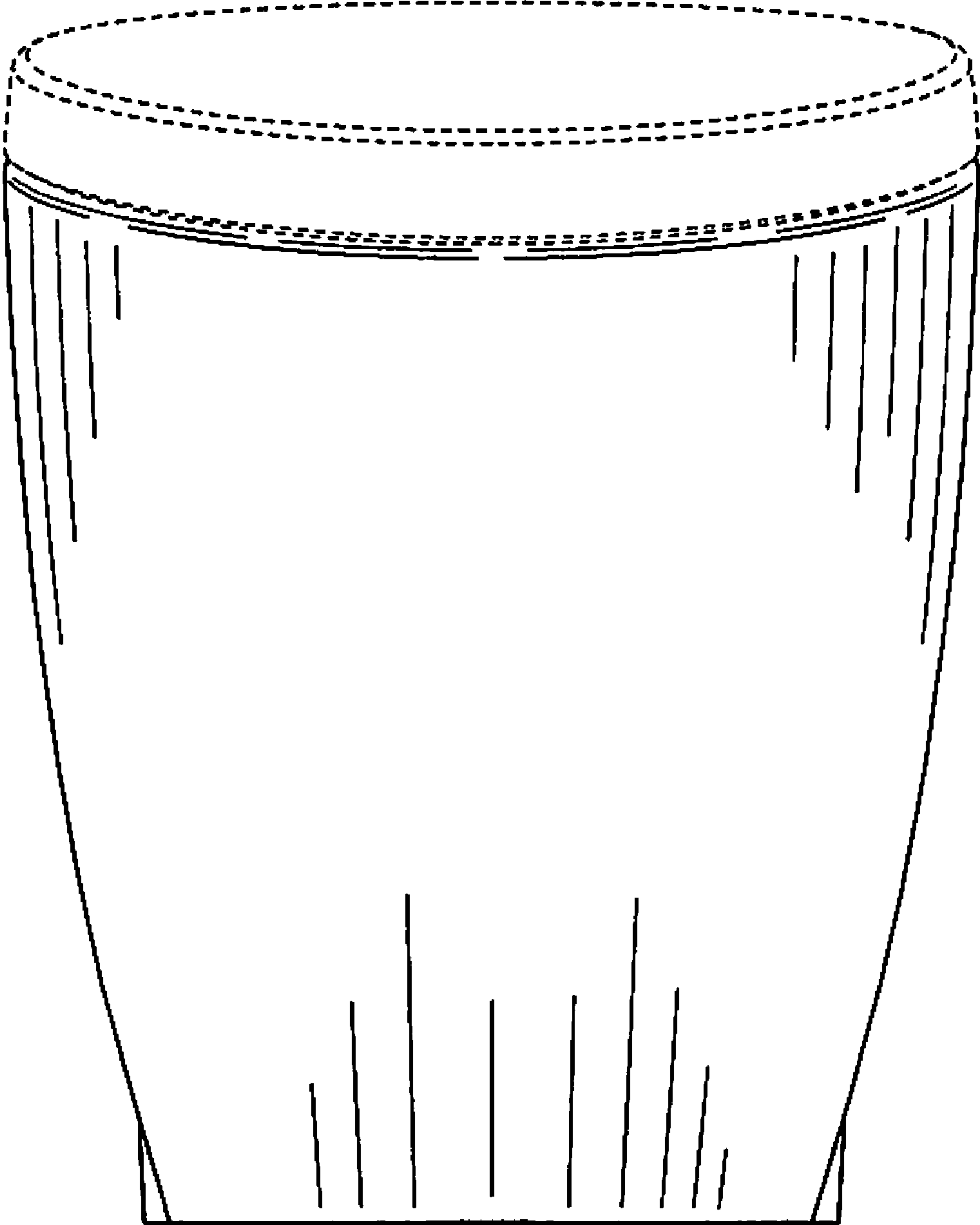


FIG. 7

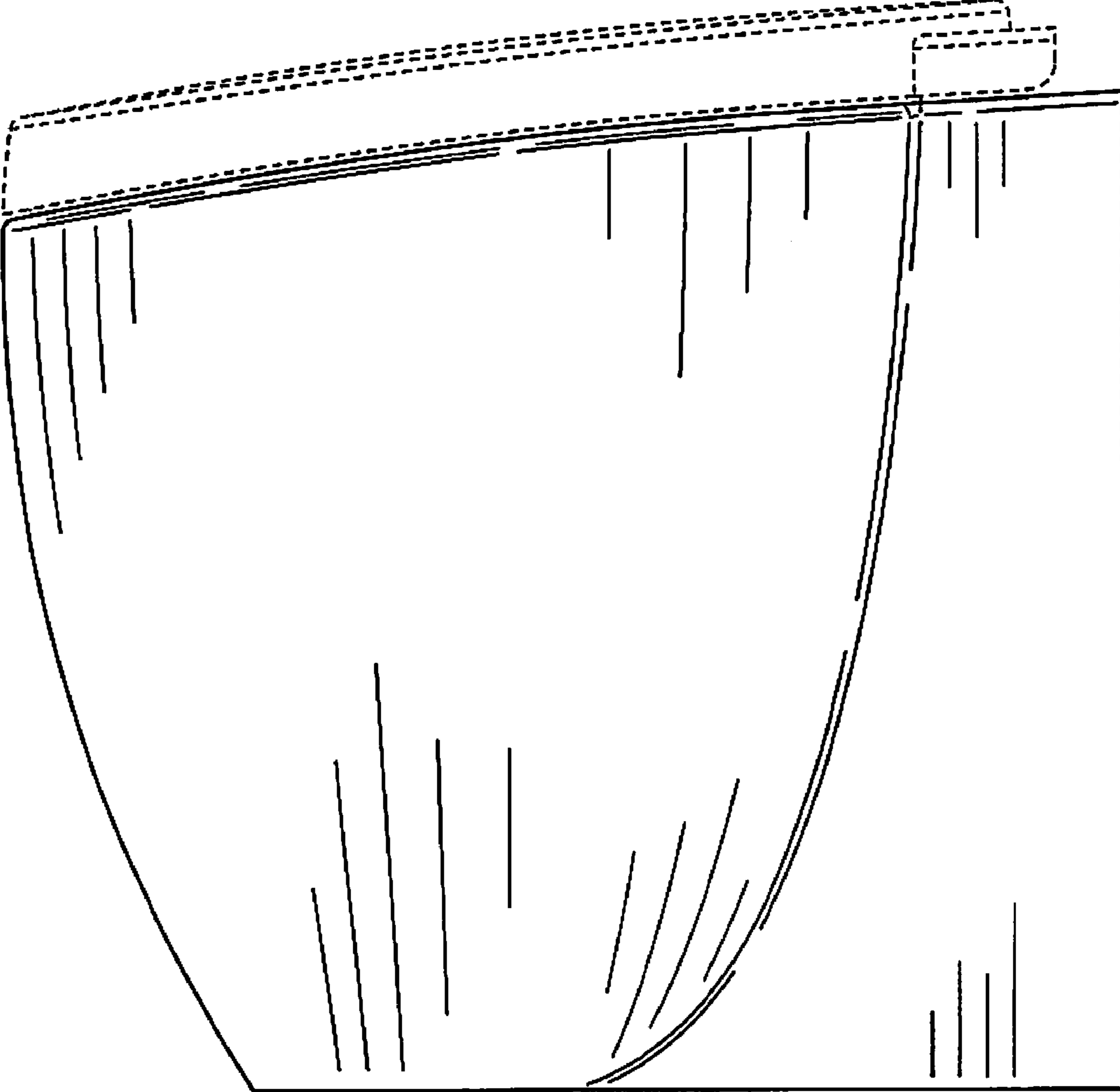


FIG. 8

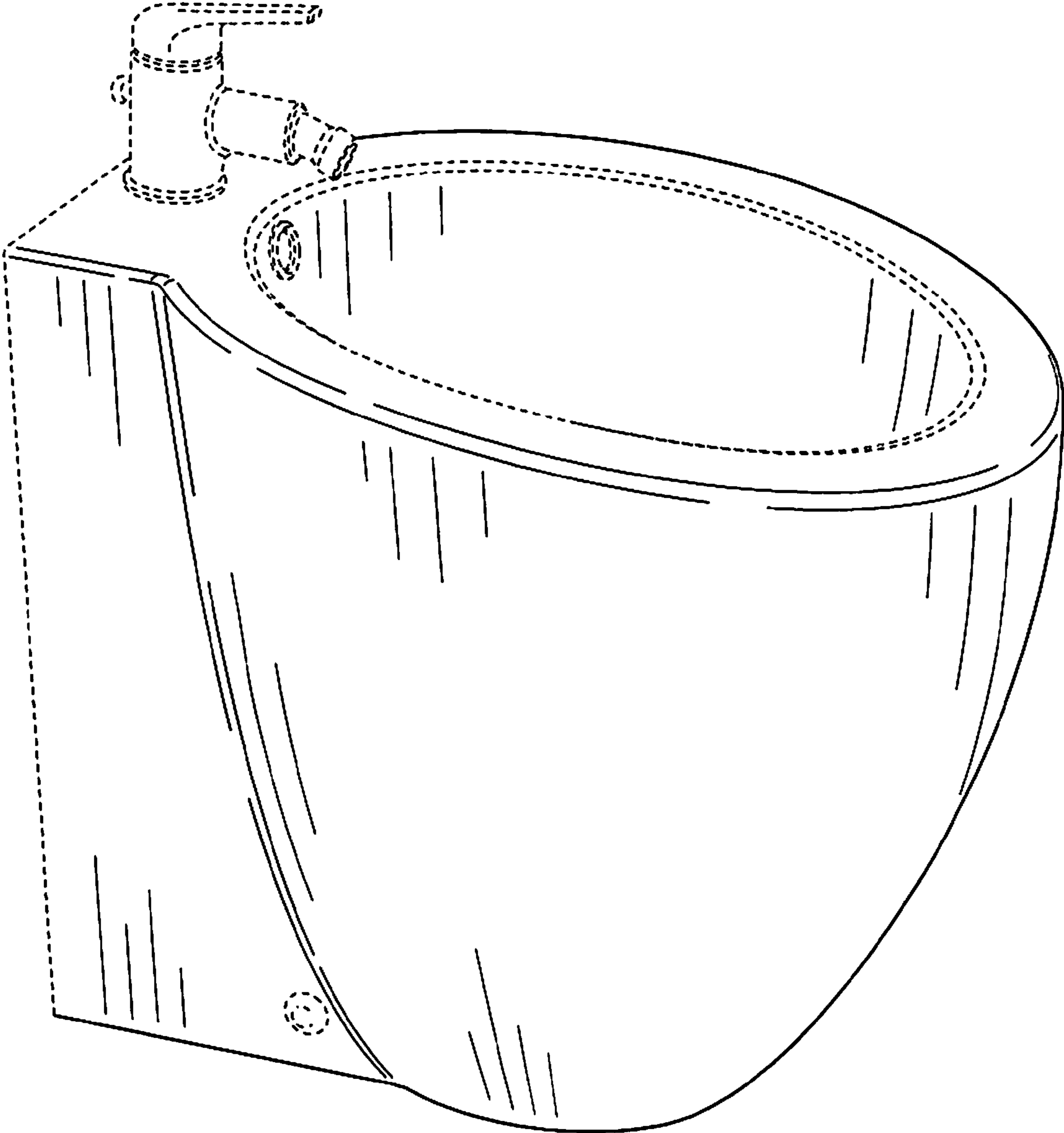


FIG. 9