



US00D579532S

(12) **United States Design Patent**  
**Schmidt**

(10) **Patent No.:** **US D579,532 S**

(45) **Date of Patent:** **\*\* Oct. 28, 2008**

(54) **SANITARYWARE**

D509,575 S \* 9/2005 Kergoet ..... D23/295  
D559,961 S \* 1/2008 Maruhashi ..... D23/295

(76) **Inventor:** **Fritz Carel Schmidt**, 168 Clive Road,  
Lansdowne 7760 (ZA)

\* cited by examiner

(\*\*) **Term:** **14 Years**

*Primary Examiner*—Robert A Delehanty  
(74) *Attorney, Agent, or Firm*—Stites & Harbison PLLC;  
Douglas E. Jackson

(21) **Appl. No.:** **29/281,347**

(57) **CLAIM**

(22) **Filed:** **Jun. 21, 2007**

The ornamental design for sanitaryware, as shown and described.

(51) **LOC (8) Cl.** ..... **23-02**

(52) **U.S. Cl.** ..... **D23/295**

(58) **Field of Classification Search** ..... D23/295,  
D23/301, 303, 309, 299; 4/664, 300, 420,  
4/DIG. 15

**DESCRIPTION**

See application file for complete search history.

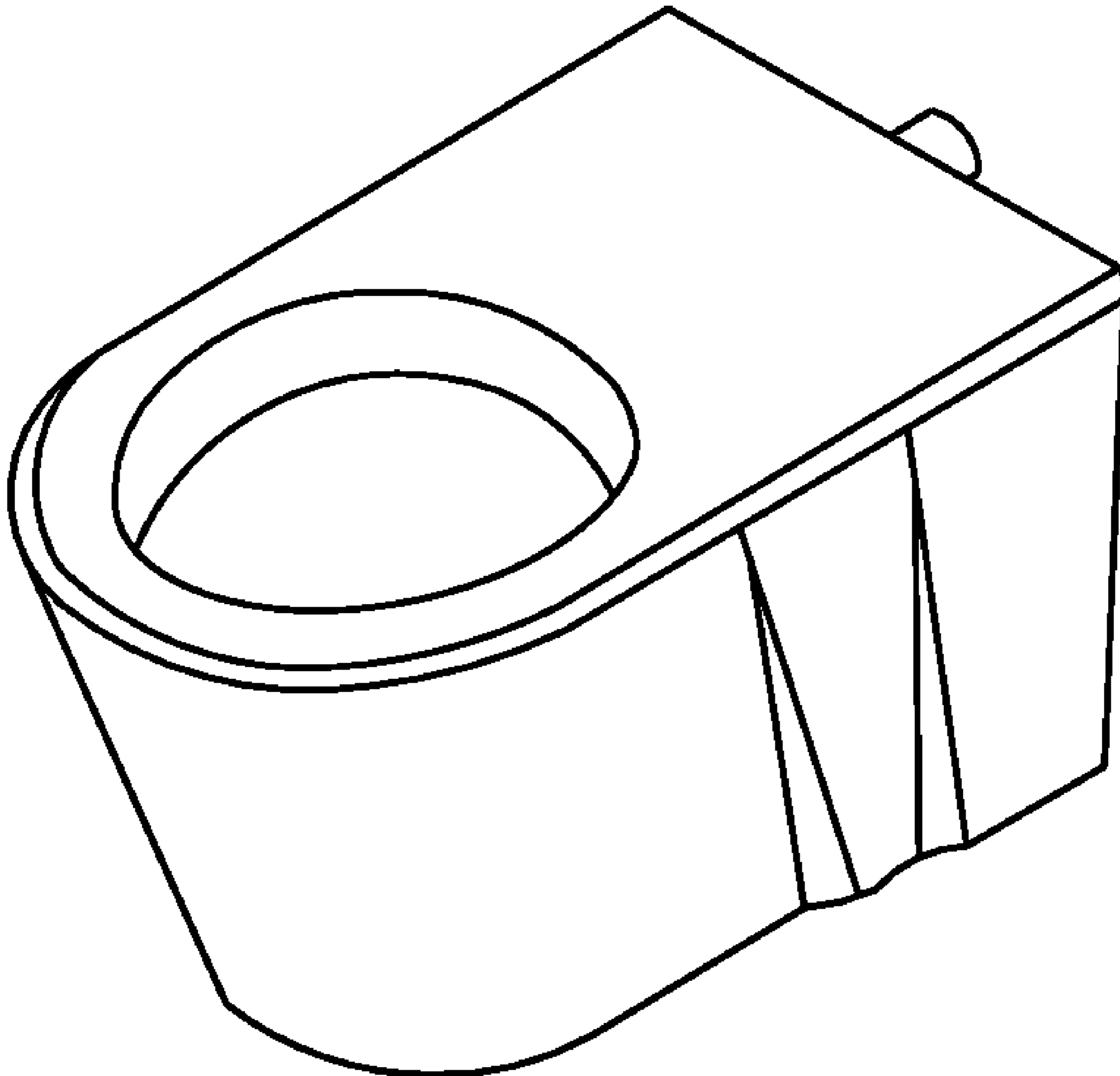
FIG. 1 is a front elevation of sanitaryware of my new design;  
FIG. 2 is a pictorial view of the sanitaryware of FIG. 1;  
FIG. 3 is a side elevation of the sanitaryware of FIG. 1, the  
other side corresponding; and,  
FIG. 4 is a top plan view of the sanitaryware of FIG. 1.

(56) **References Cited**

**U.S. PATENT DOCUMENTS**

D484,223 S \* 12/2003 Tani et al. .... D23/295

**1 Claim, 1 Drawing Sheet**



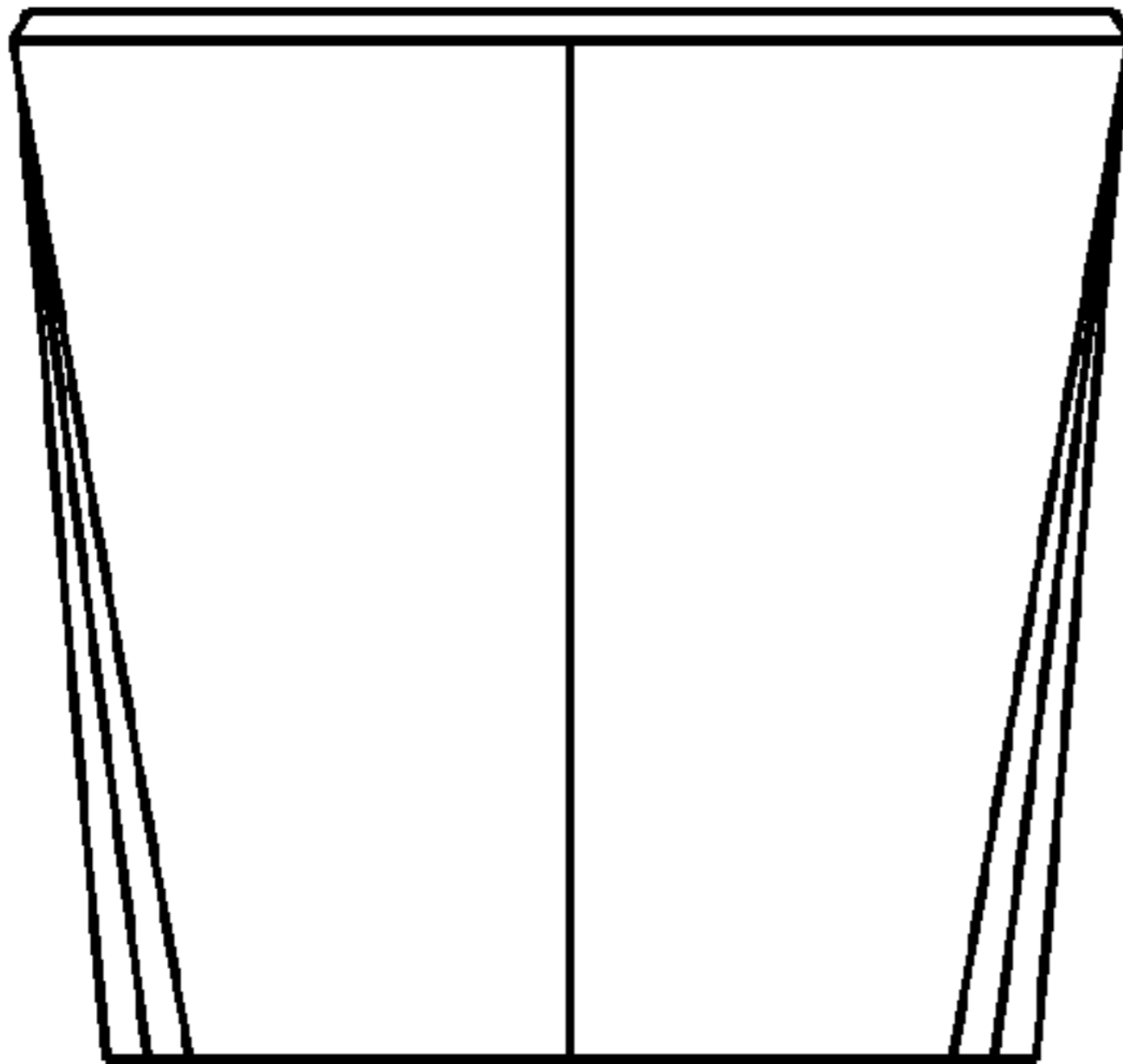


Figure 1

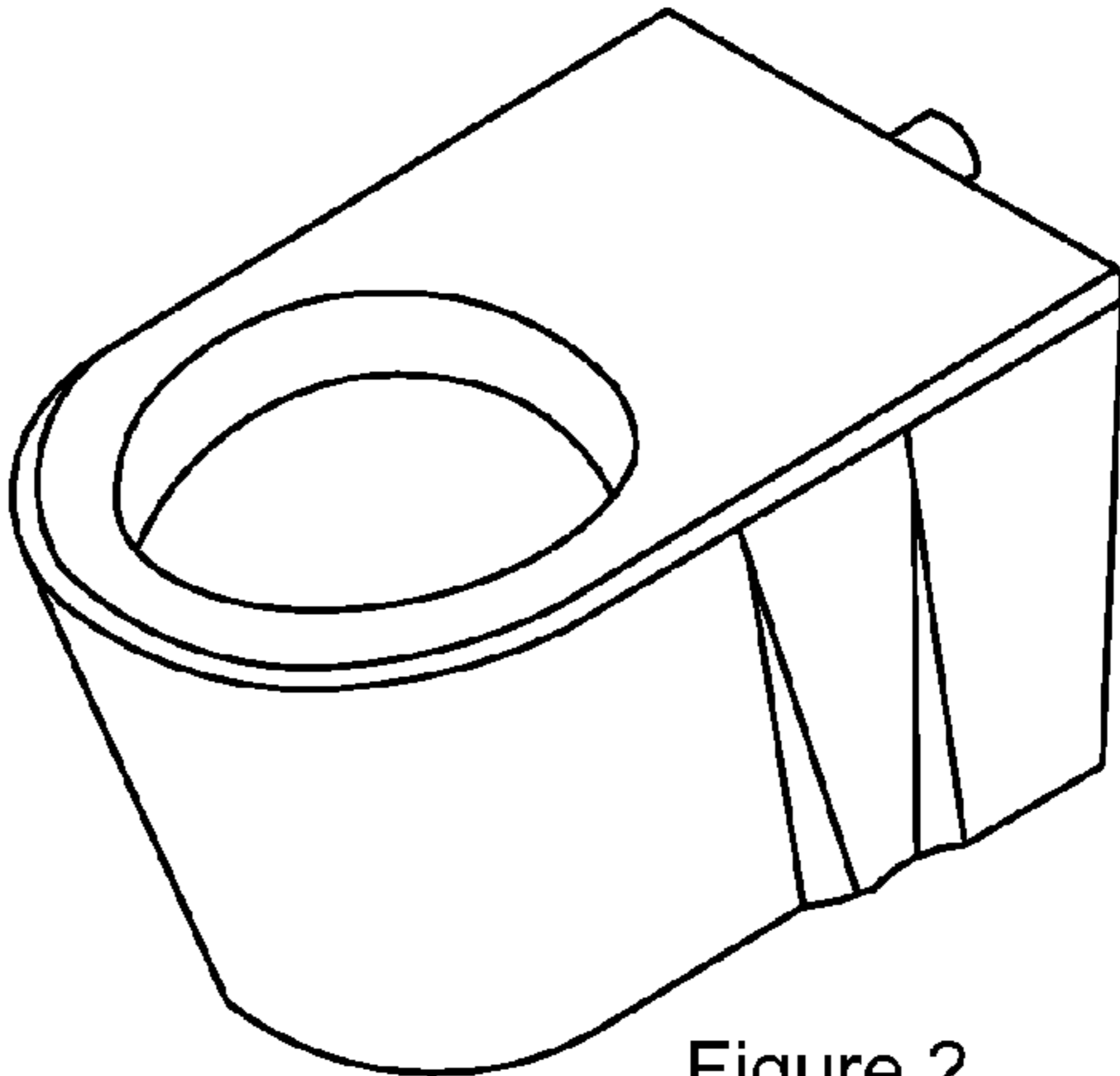


Figure 2

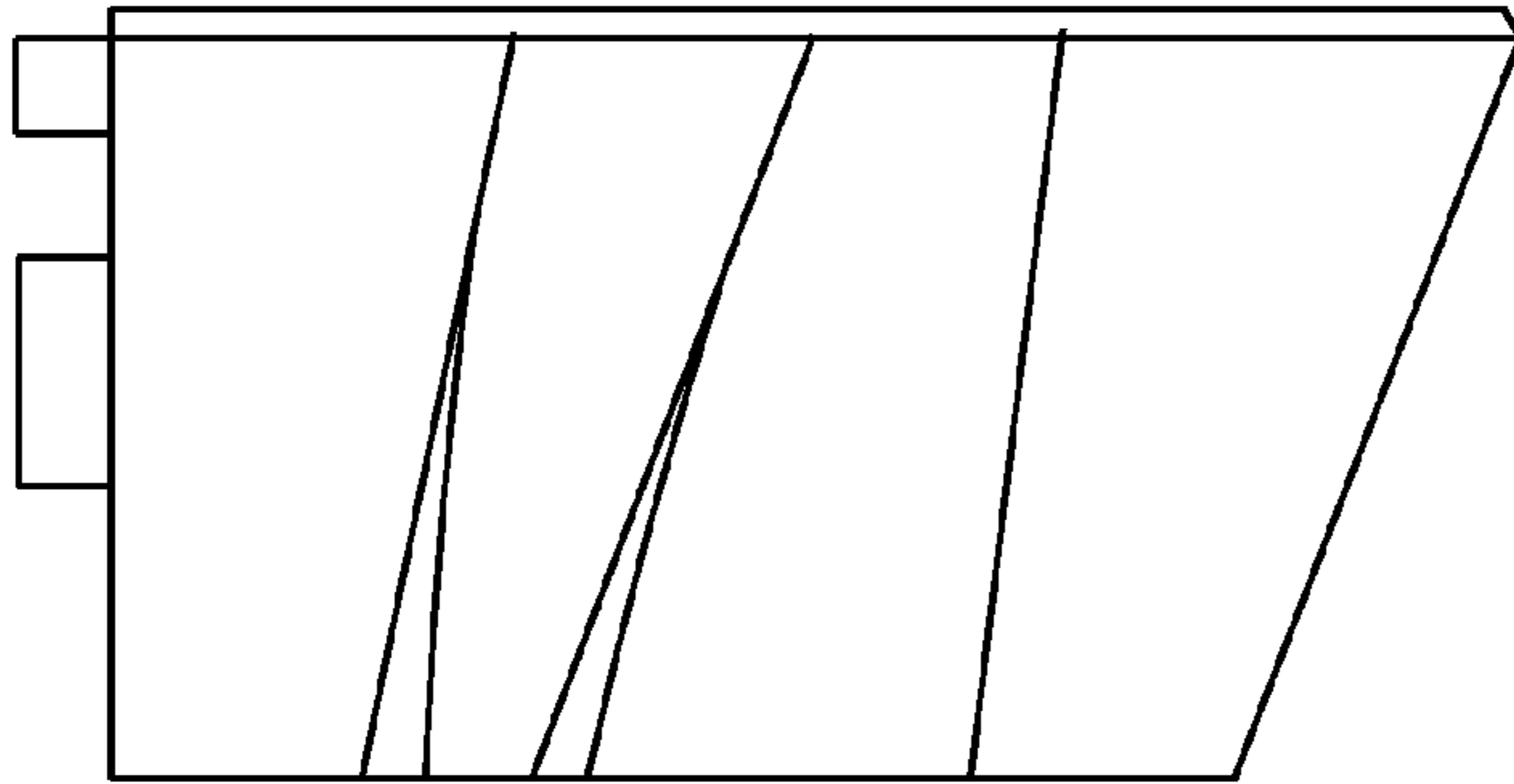


Figure 3

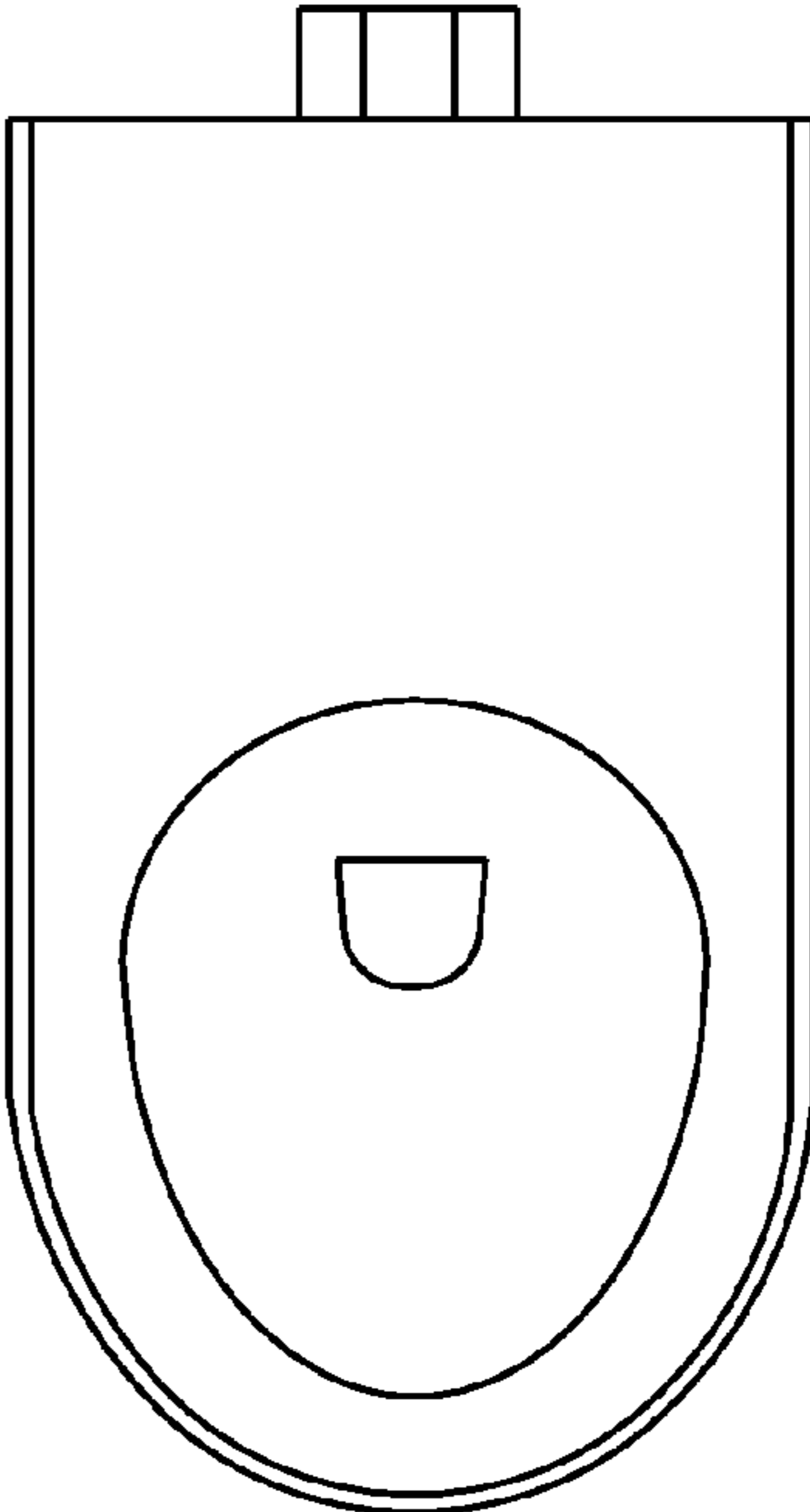


Figure 4