



US00D579531S

(12) **United States Design Patent**
Musser

(10) **Patent No.:** **US D579,531 S**
(45) **Date of Patent:** **** Oct. 28, 2008**

(54) **ADJUSTABLE DRAIN FOR INTERLOCKING STONE DECKING**

6,792,723 B2 * 9/2004 Stegmeier et al. 52/169.5
2006/0117680 A1 * 6/2006 Dill et al. 52/169.7

(75) Inventor: **Darell W. Musser**, Arlington, TX (US)

* cited by examiner

(73) Assignee: **Stegmeier, LLC**, Arlington, TX (US)

Primary Examiner—Louis S Zarfaz
Assistant Examiner—Eric L Goodman

(**) Term: **14 Years**

(74) *Attorney, Agent, or Firm*—Eric Karich

(21) Appl. No.: **29/289,022**

(57) **CLAIM**

(22) Filed: **Jun. 29, 2007**

The ornamental design for an “adjustable drain for interlocking stone decking,” as shown and described.

(51) **LOC (8) Cl.** **23-01**

(52) **U.S. Cl.** **D23/261**

(58) **Field of Classification Search** D23/267;
D25/119, 122; 405/119; 404/2, 4; 52/11,
52/12, 302.3

See application file for complete search history.

DESCRIPTION

FIG. 1 is a perspective view of a adjustable drain for interlocking stone decking, showing my new design;

FIG. 2 is a front elevational view thereof;

FIG. 3 is a rear elevational view thereof;

FIG. 4 is a left side elevational view thereof

FIG. 5 is a right side elevational view thereof;

FIG. 6 is a top plan view thereof;

FIG. 7 is a bottom plan view thereof; and,

FIG. 8 is an exploded perspective view thereof.

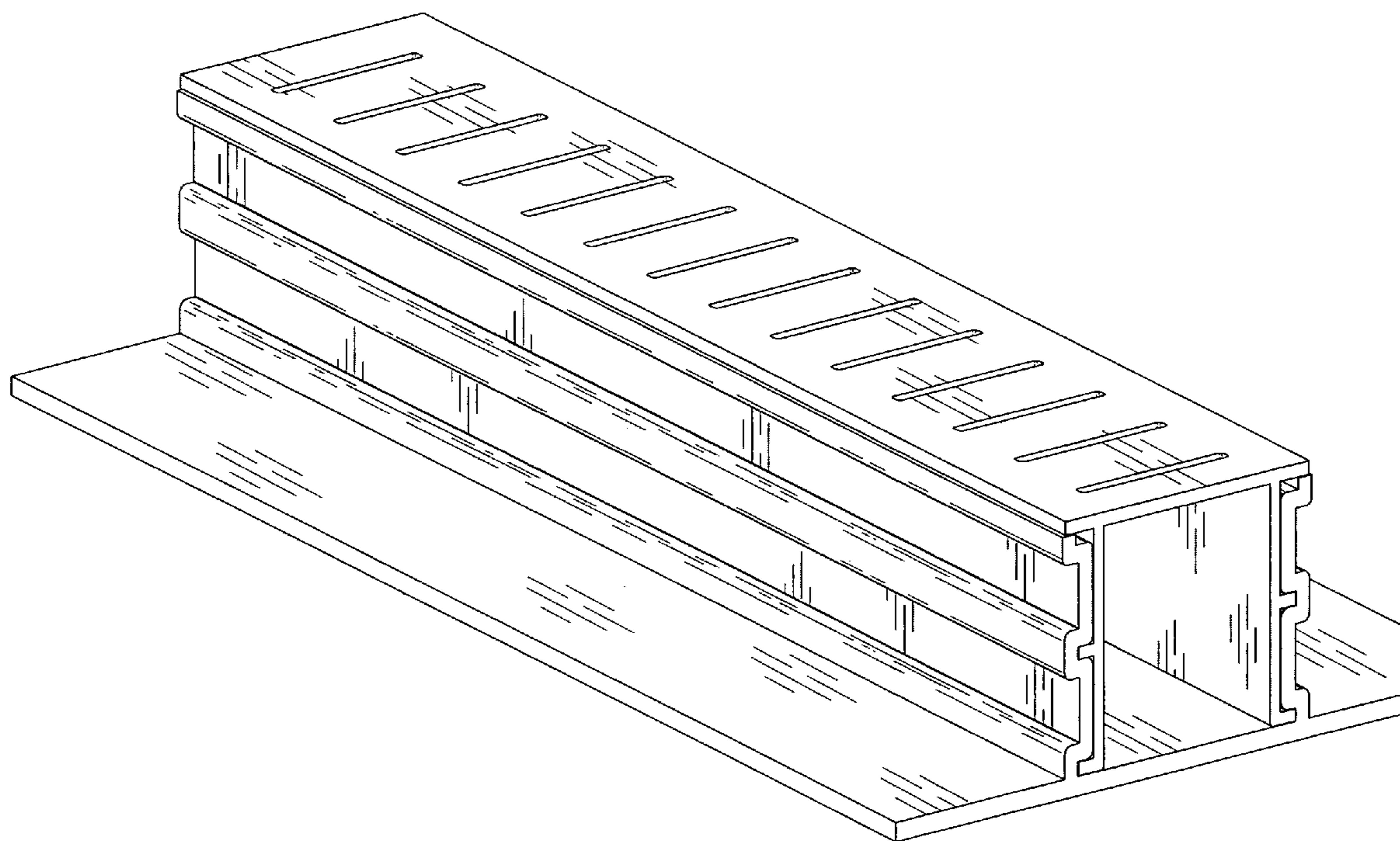
The broken line showing in FIG. 8 is for illustrative purposes only and forms no part of the claimed design.

(56) **References Cited**

U.S. PATENT DOCUMENTS

4,365,911	A *	12/1982	Rossberg	405/43
D299,543	S *	1/1989	Phillips	D25/35
4,815,888	A	3/1989	Stegmeier		
D312,696	S *	12/1990	Phillips	D25/35
D326,140	S *	5/1992	Dekel	D23/267
5,454,663	A	10/1995	Stegmeier		
D466,596	S *	12/2002	Stegmeier et al.	D23/267
6,612,780	B2 *	9/2003	Dahowski et al.	405/118
6,729,795	B2 *	5/2004	Dahowski et al.	404/4

1 Claim, 5 Drawing Sheets



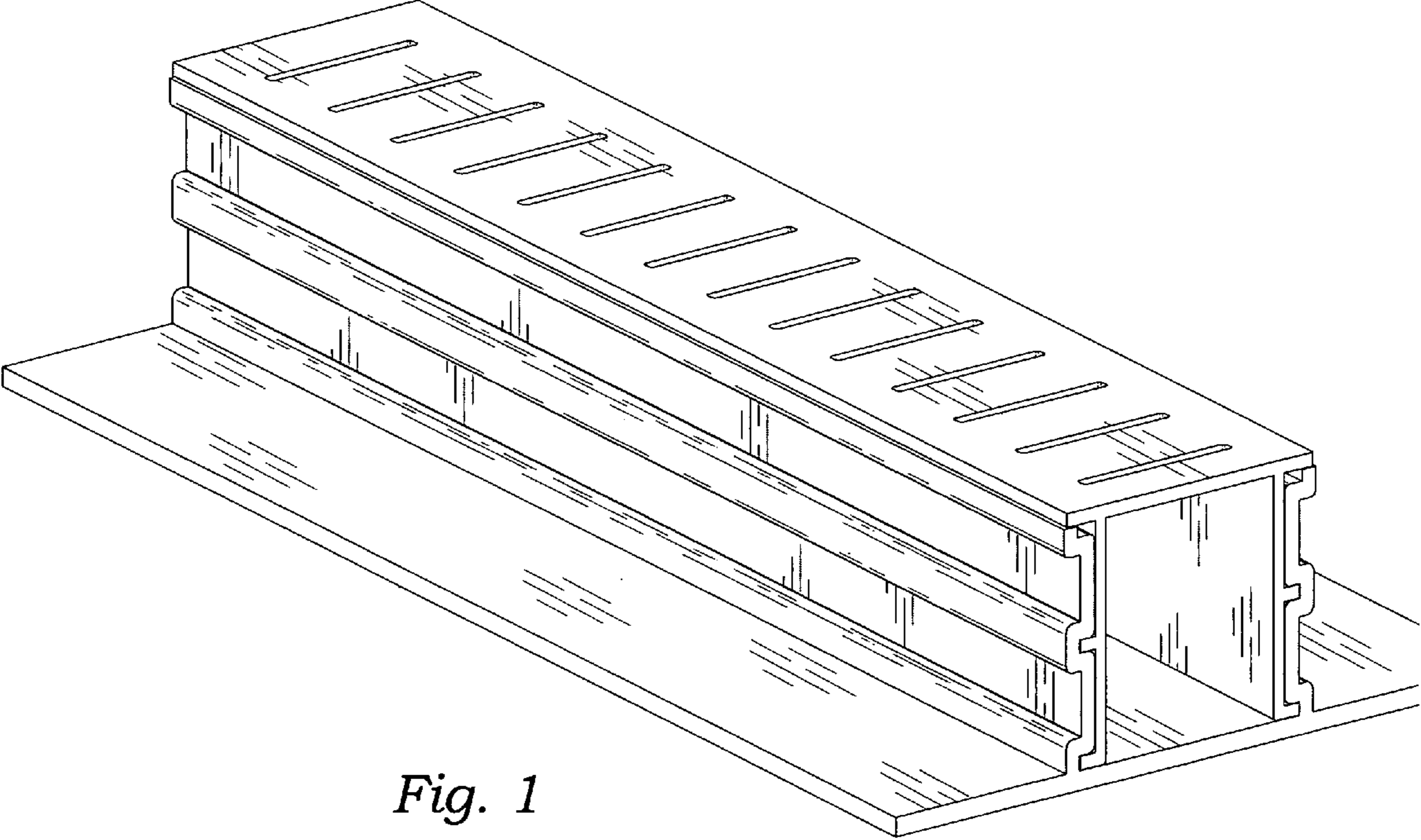


Fig. 1

Fig. 2

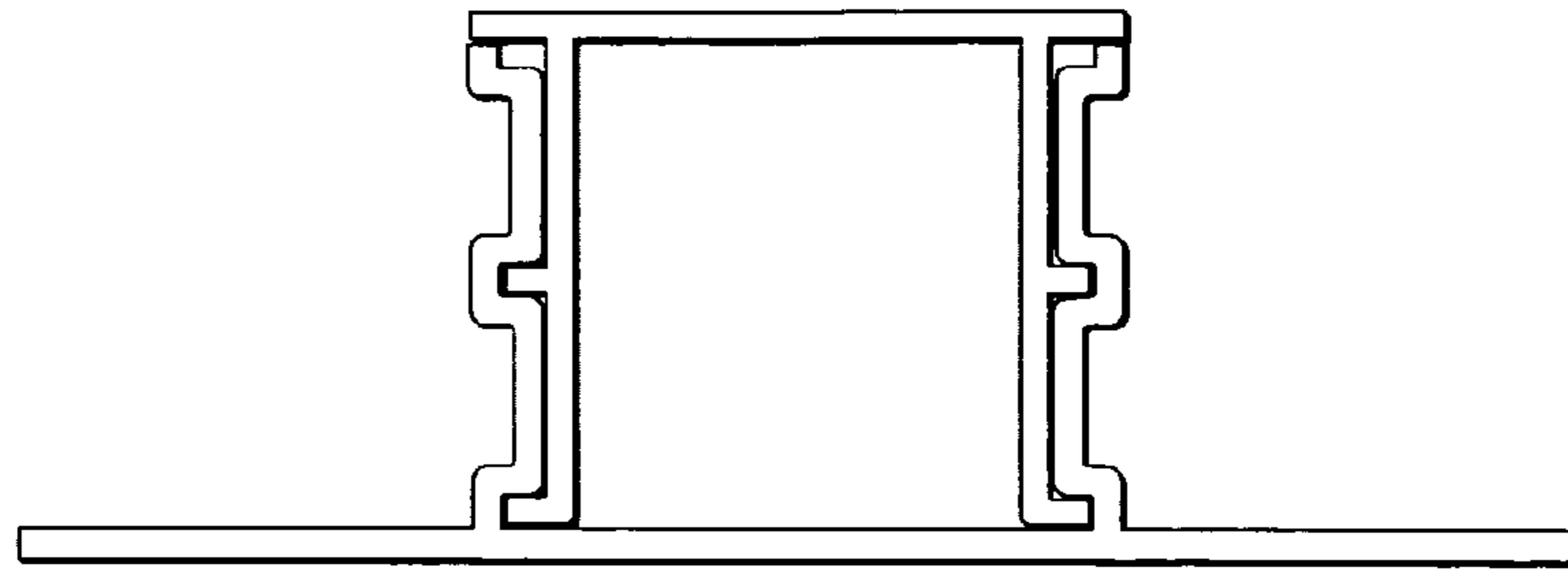


Fig. 3

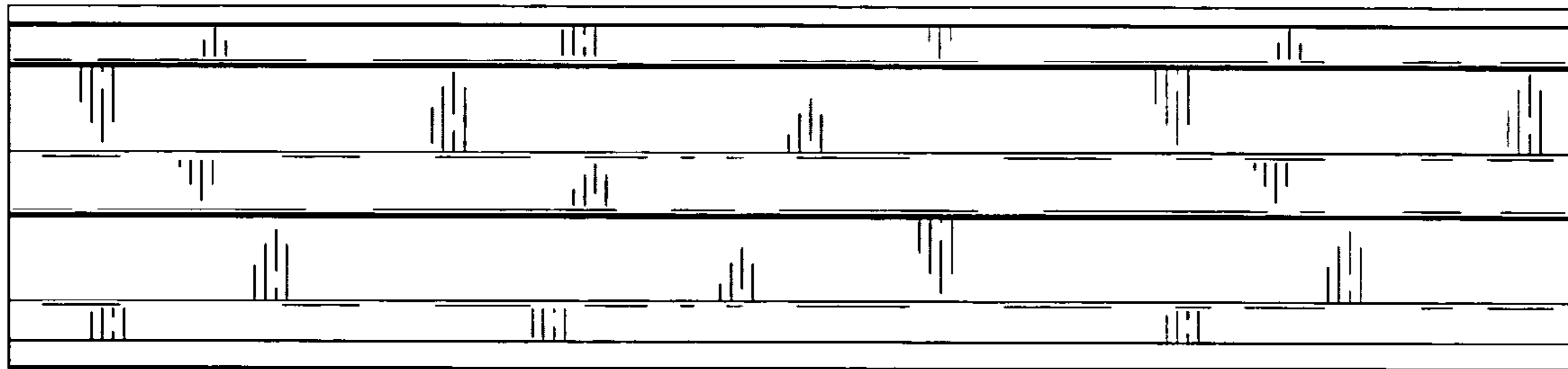
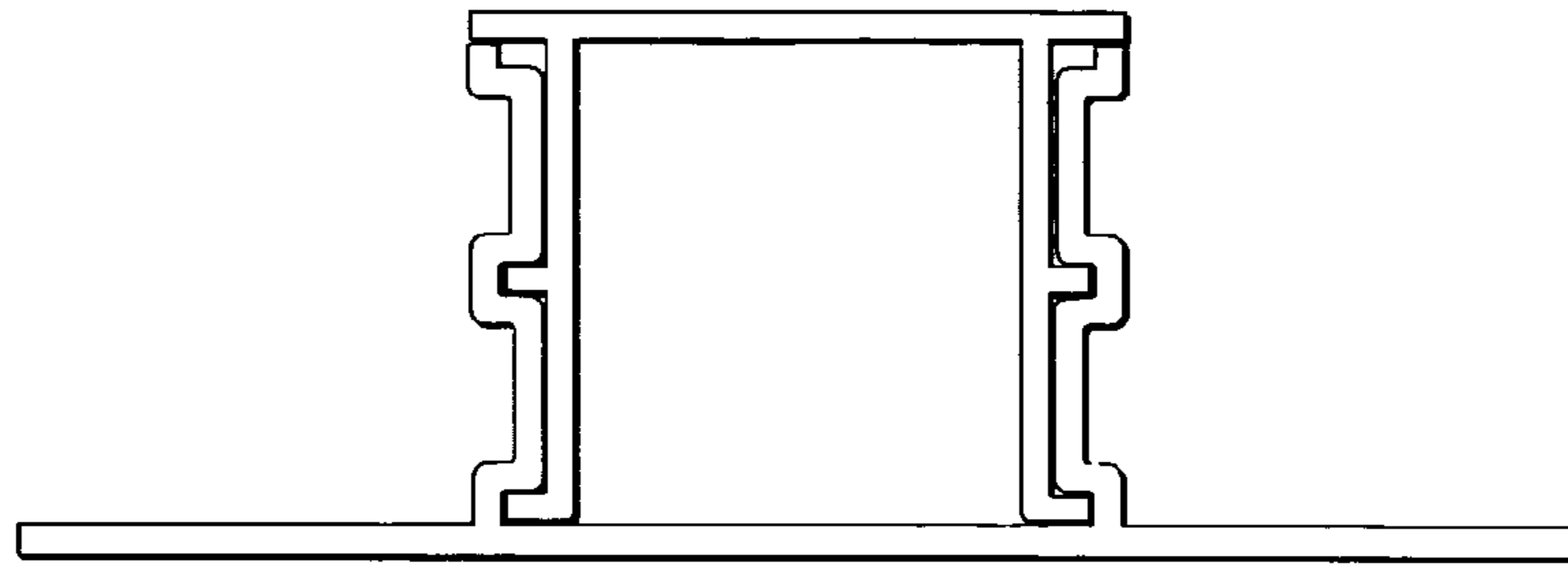


Fig. 4

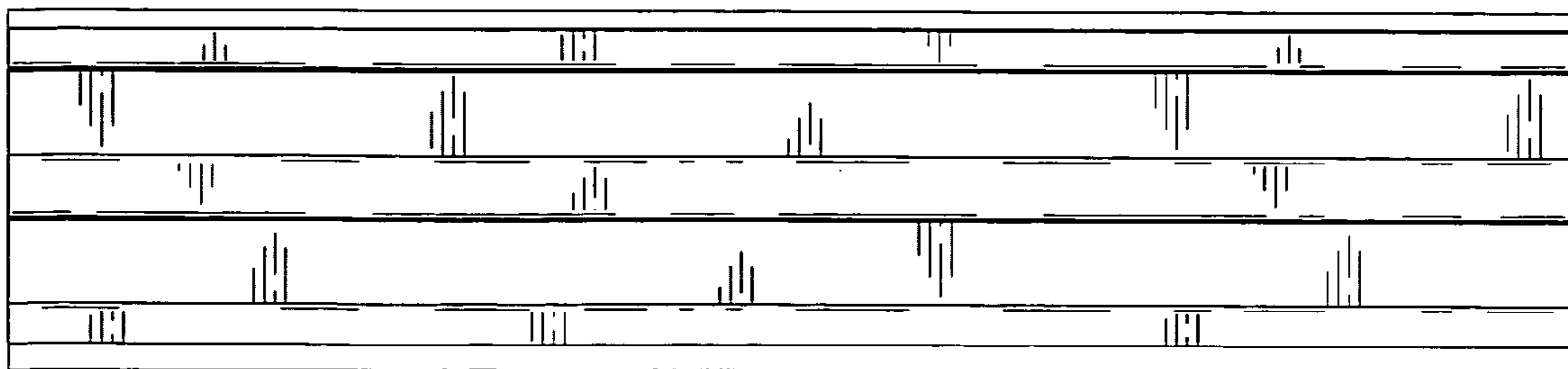


Fig. 5

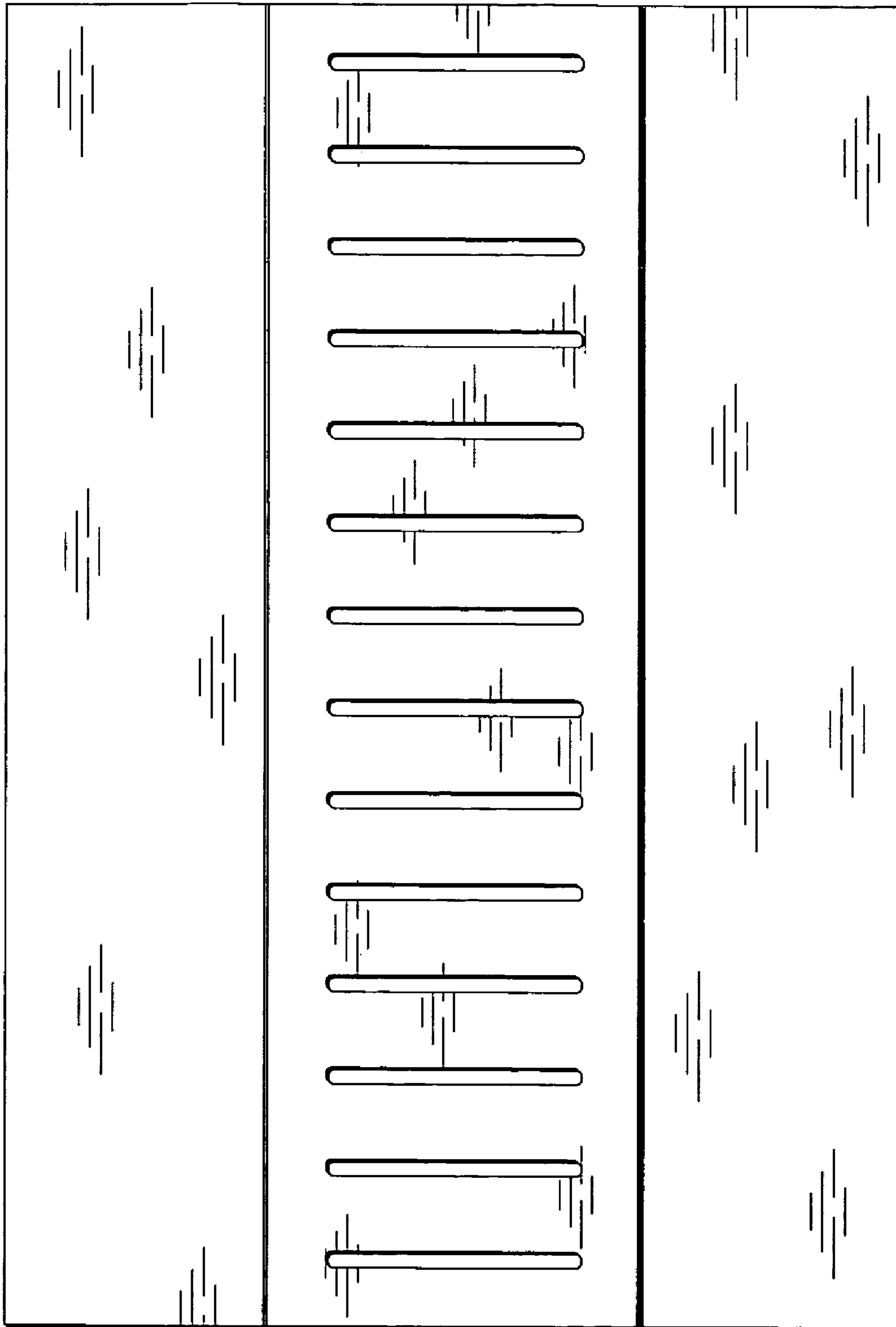


Fig. 6

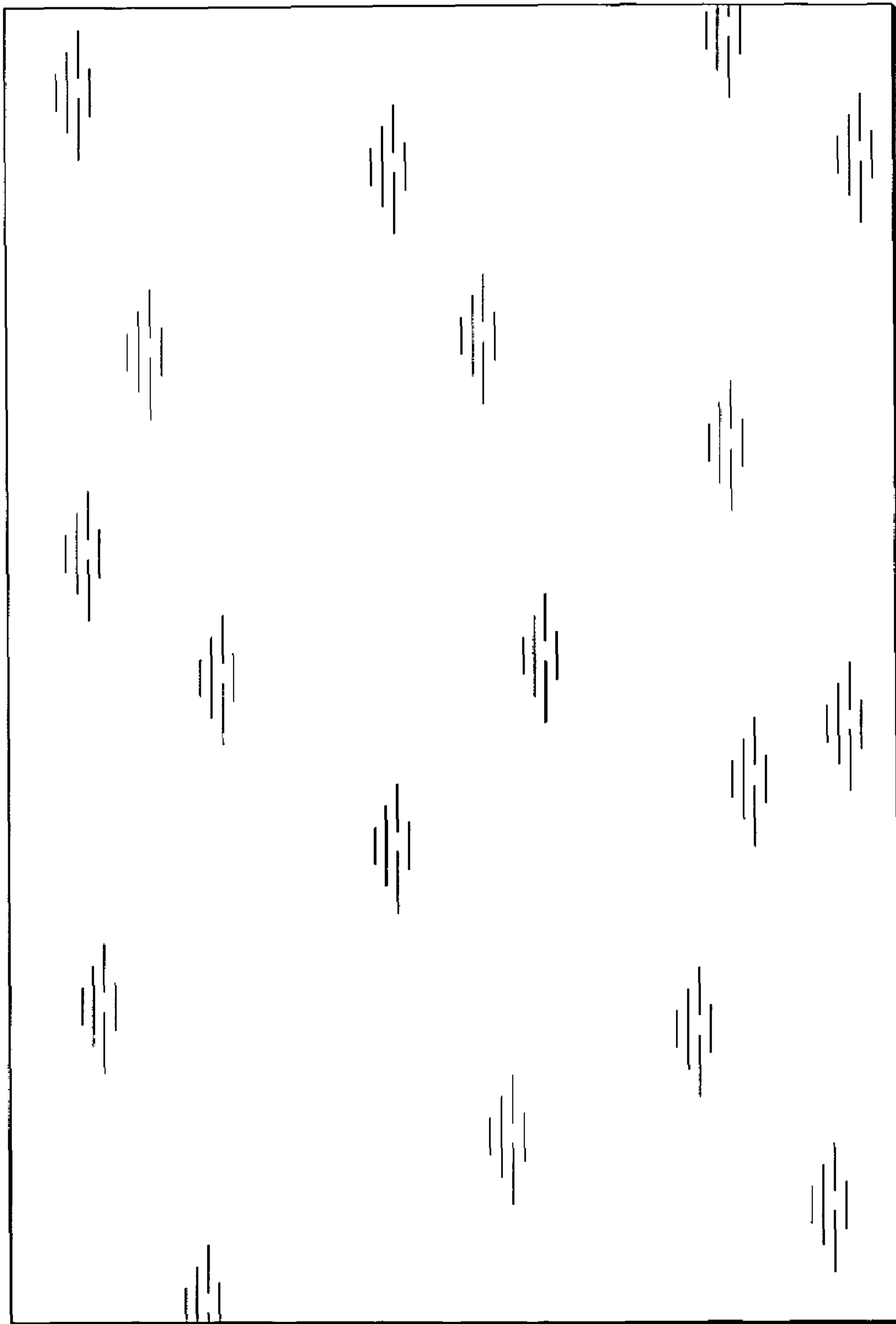


Fig. 7

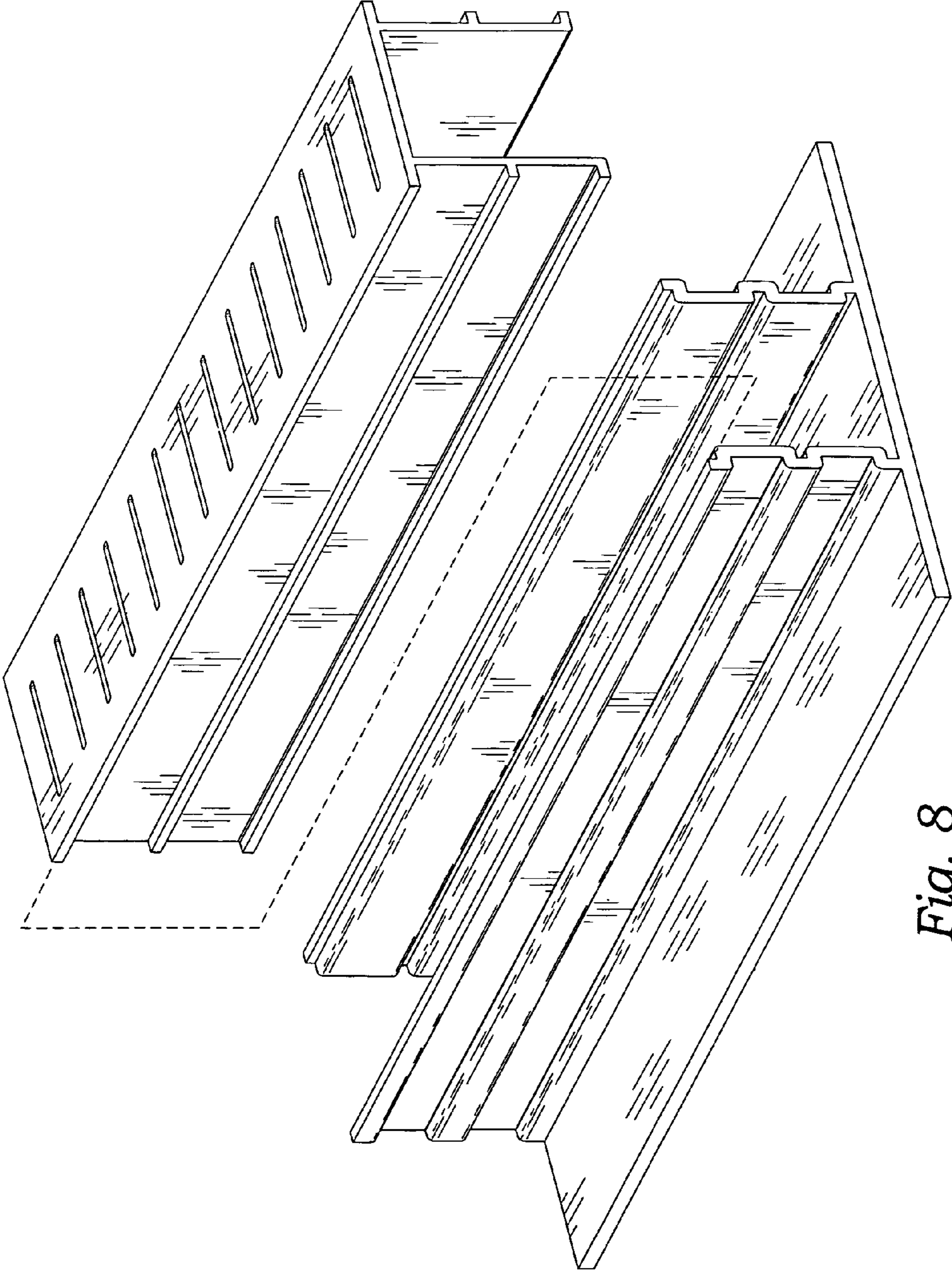


Fig. 8