



US00D579530S

(12) **United States Design Patent**  
**Bickler et al.**

(10) **Patent No.:** **US D579,530 S**  
(45) **Date of Patent:** **\*\* Oct. 28, 2008**

(54) **SHOWER CONTROL**

D477,058 S \* 7/2003 Panis et al. .... D23/254

(75) Inventors: **Marc Bickler**, Charlotte, NC (US);  
**Victor Hoernig**, Lowell, IN (US);  
**Geraint Krumpe**, Chicago, IL (US)

\* cited by examiner

*Primary Examiner*—Robert A Delehanty

(73) Assignee: **Brasstech, Inc.**, Santa Ana, CA (US)

(74) *Attorney, Agent, or Firm*—Edgar A. Zarins; Lloyd D. Doigan

(\*\*) Term: **14 Years**

(57) **CLAIM**

(21) Appl. No.: **29/279,570**

The ornamental design for a shower control, as shown and described.

(22) Filed: **May 3, 2007**

(51) **LOC (8) Cl.** ..... **23-01**

**DESCRIPTION**

(52) **U.S. Cl.** ..... **D23/254**

(58) **Field of Classification Search** ..... D23/250,  
D23/252–254, 238–243, 244–249, 304; 4/675–678;  
D8/300, 307–308; D6/550; 137/801; 16/110.1,  
16/441

FIG. 1 is a front perspective view of a shower control showing our design;

FIG. 2 is a top plan view thereof;

FIG. 3 is a bottom plan view thereof;

FIG. 4 is a left side elevational view thereof; and,

FIG. 5 is a right side elevational view thereof.

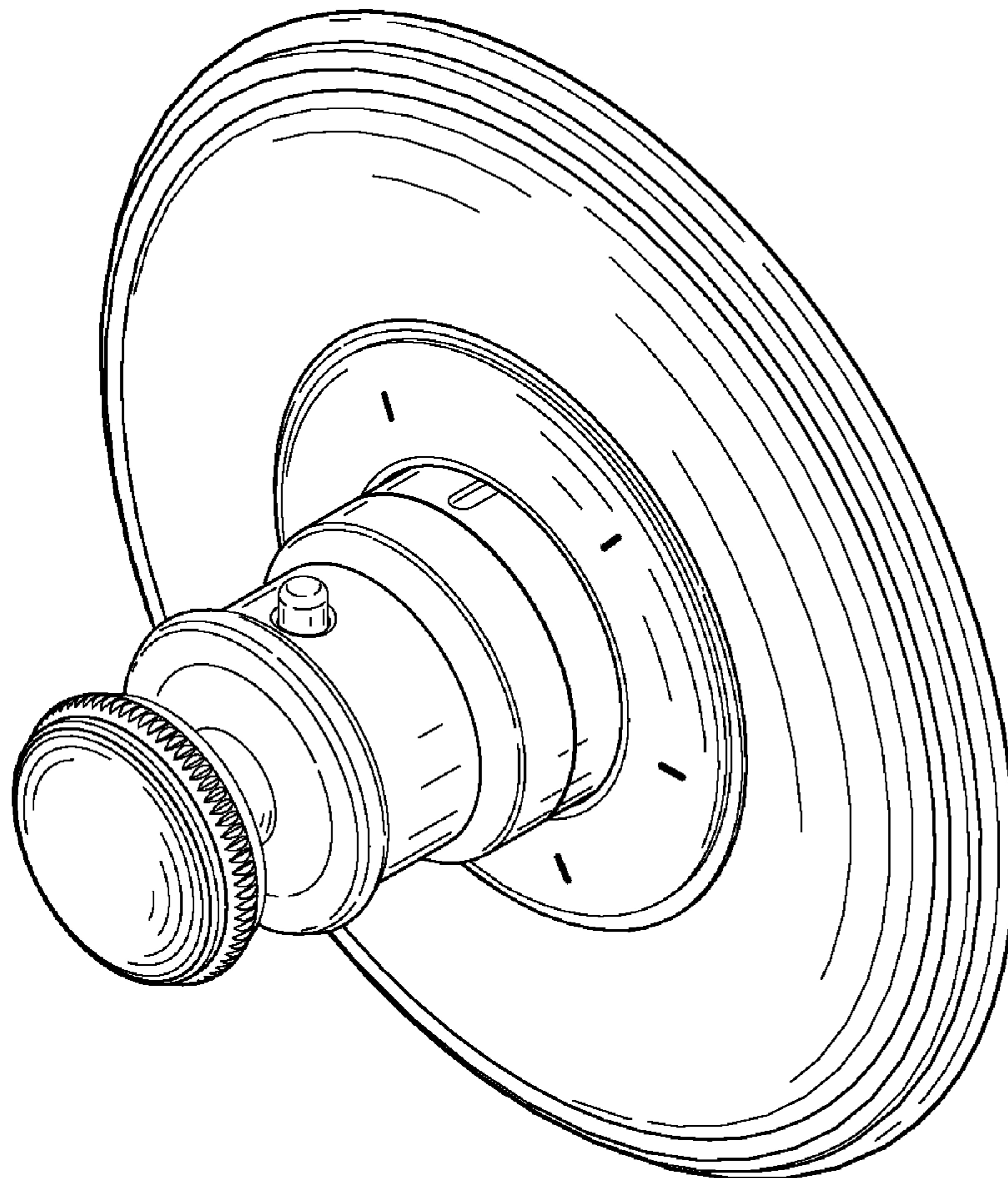
See application file for complete search history.

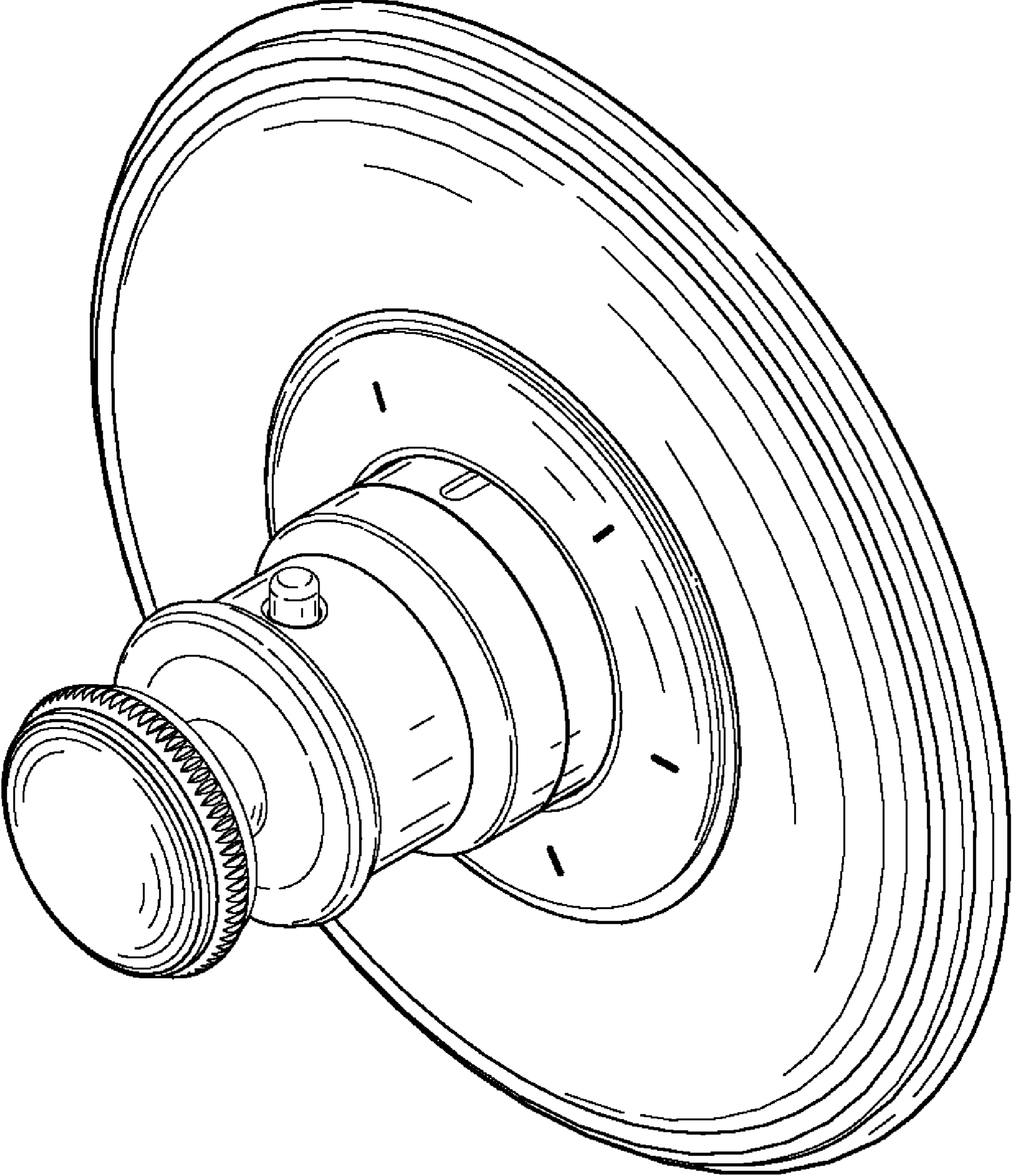
(56) **References Cited**

**U.S. PATENT DOCUMENTS**

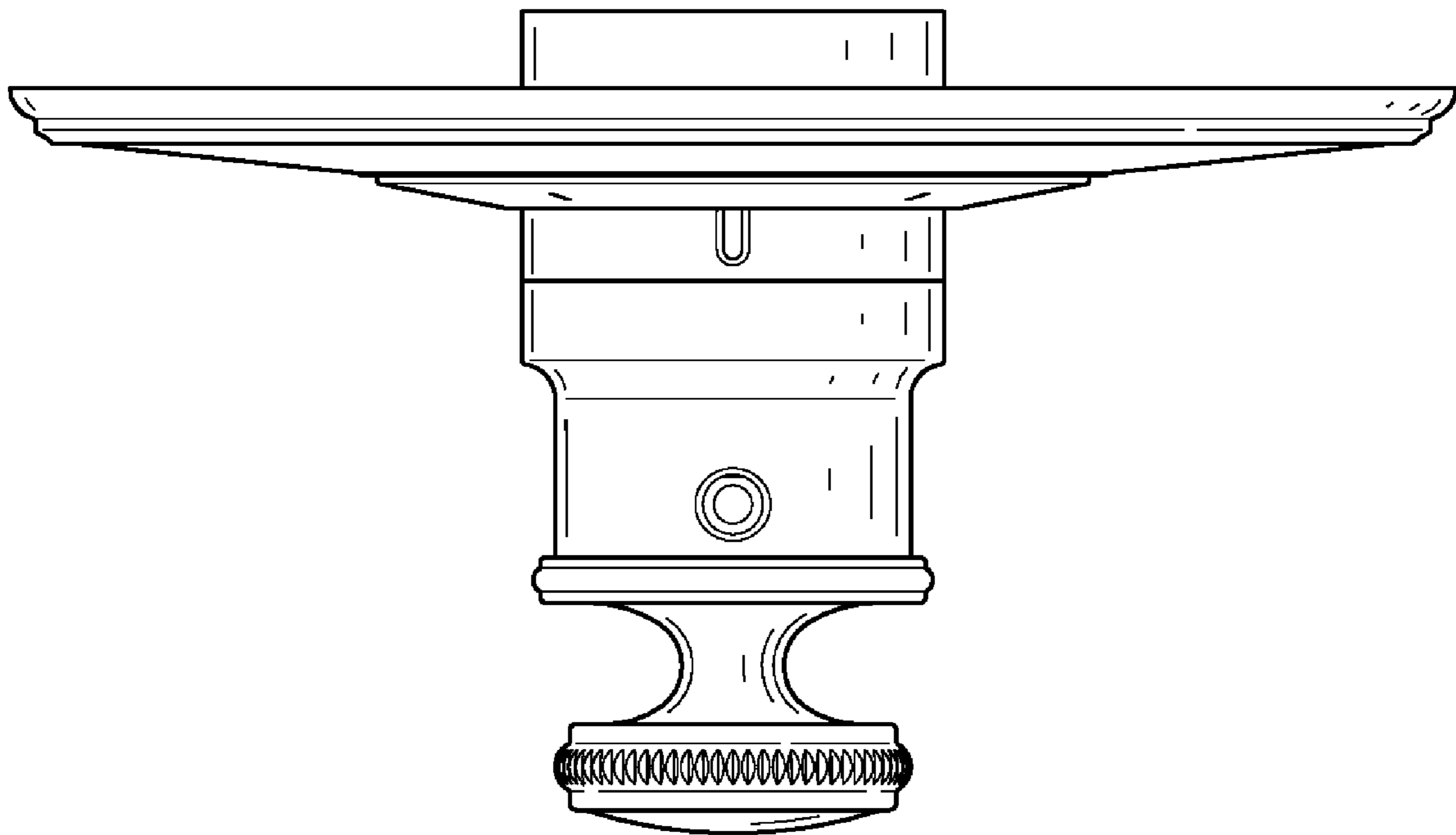
D455,199 S \* 4/2002 Lenart et al. .... D23/254

**1 Claim, 5 Drawing Sheets**

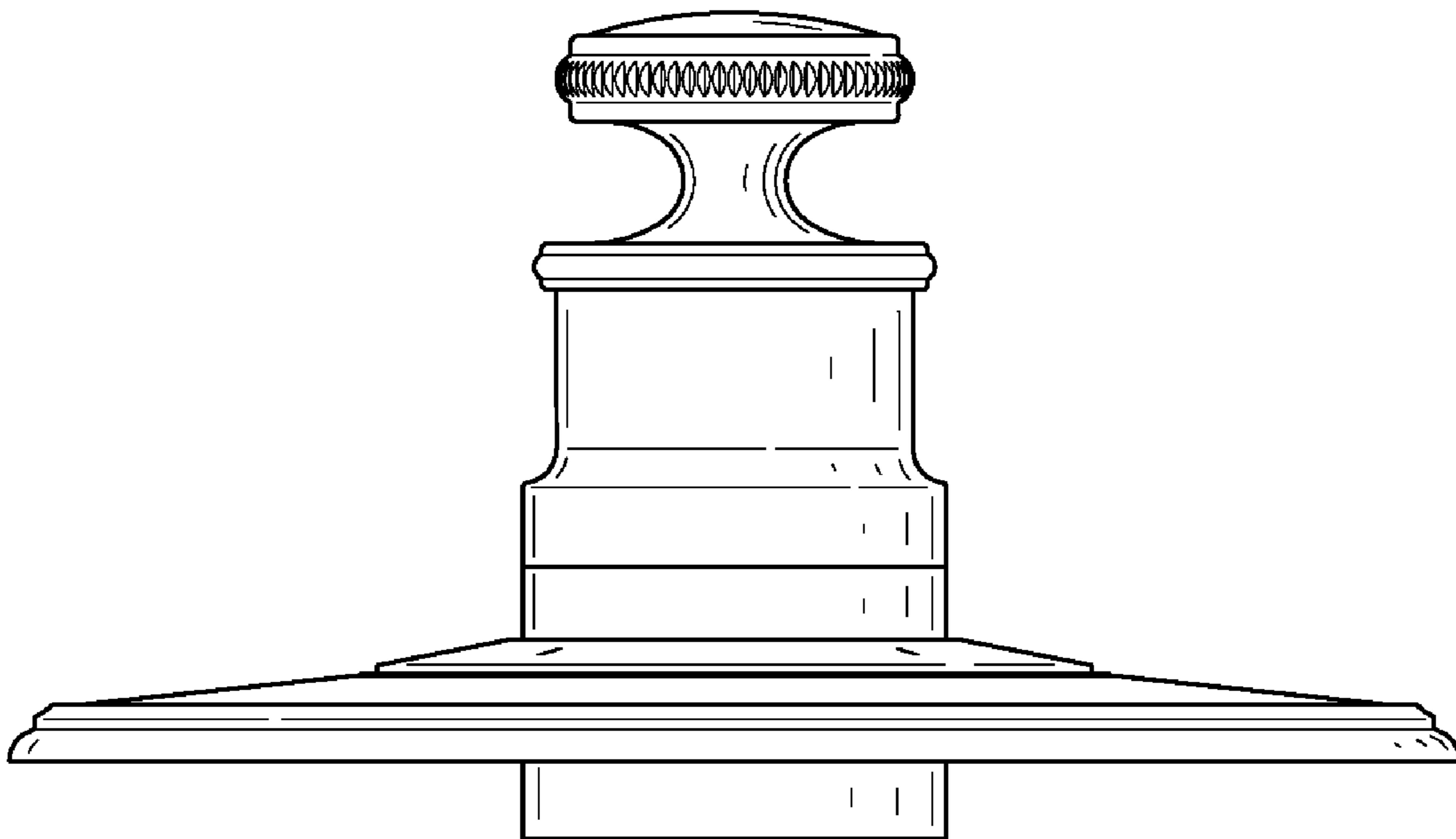




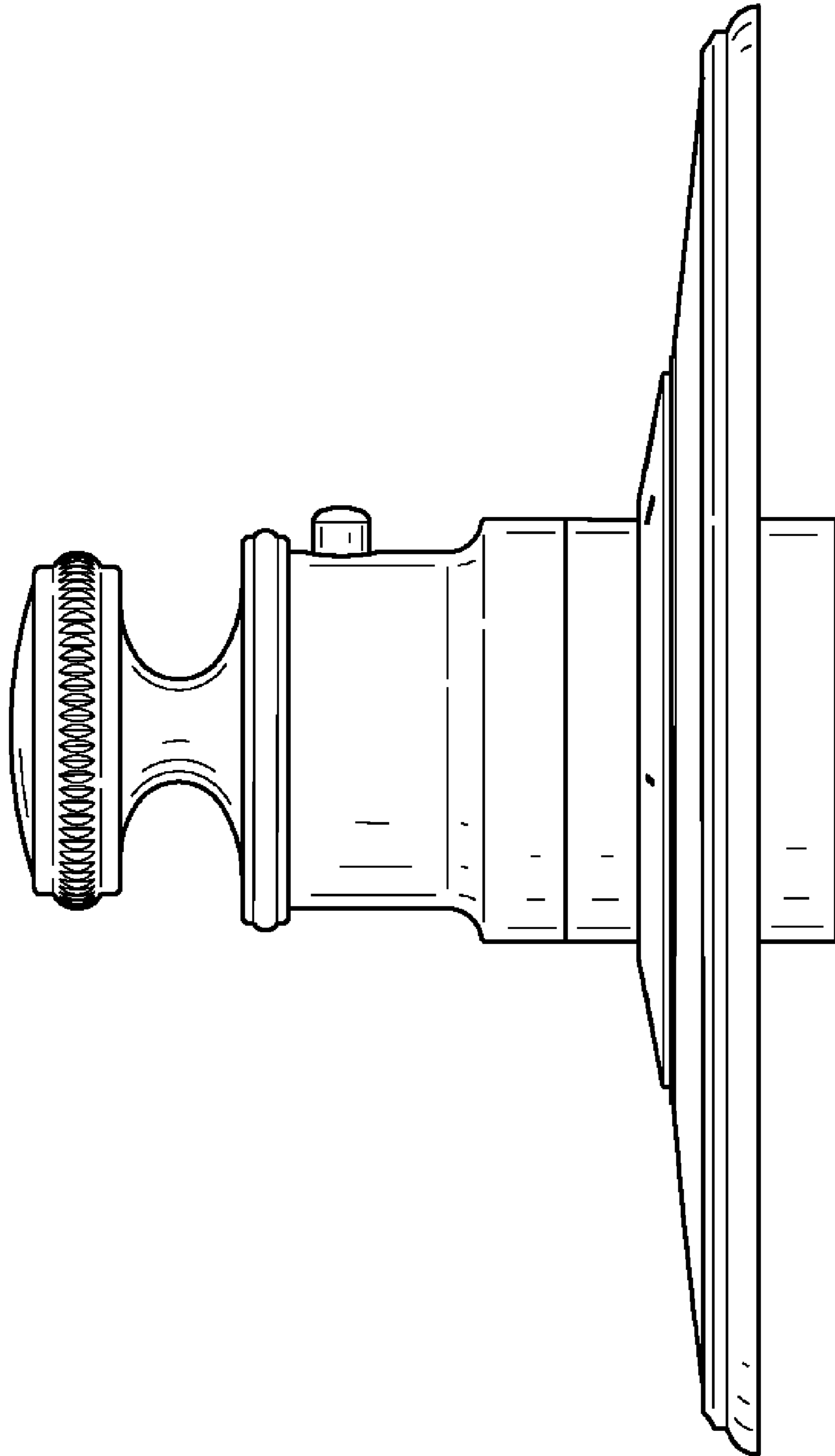
**FIG. 1**



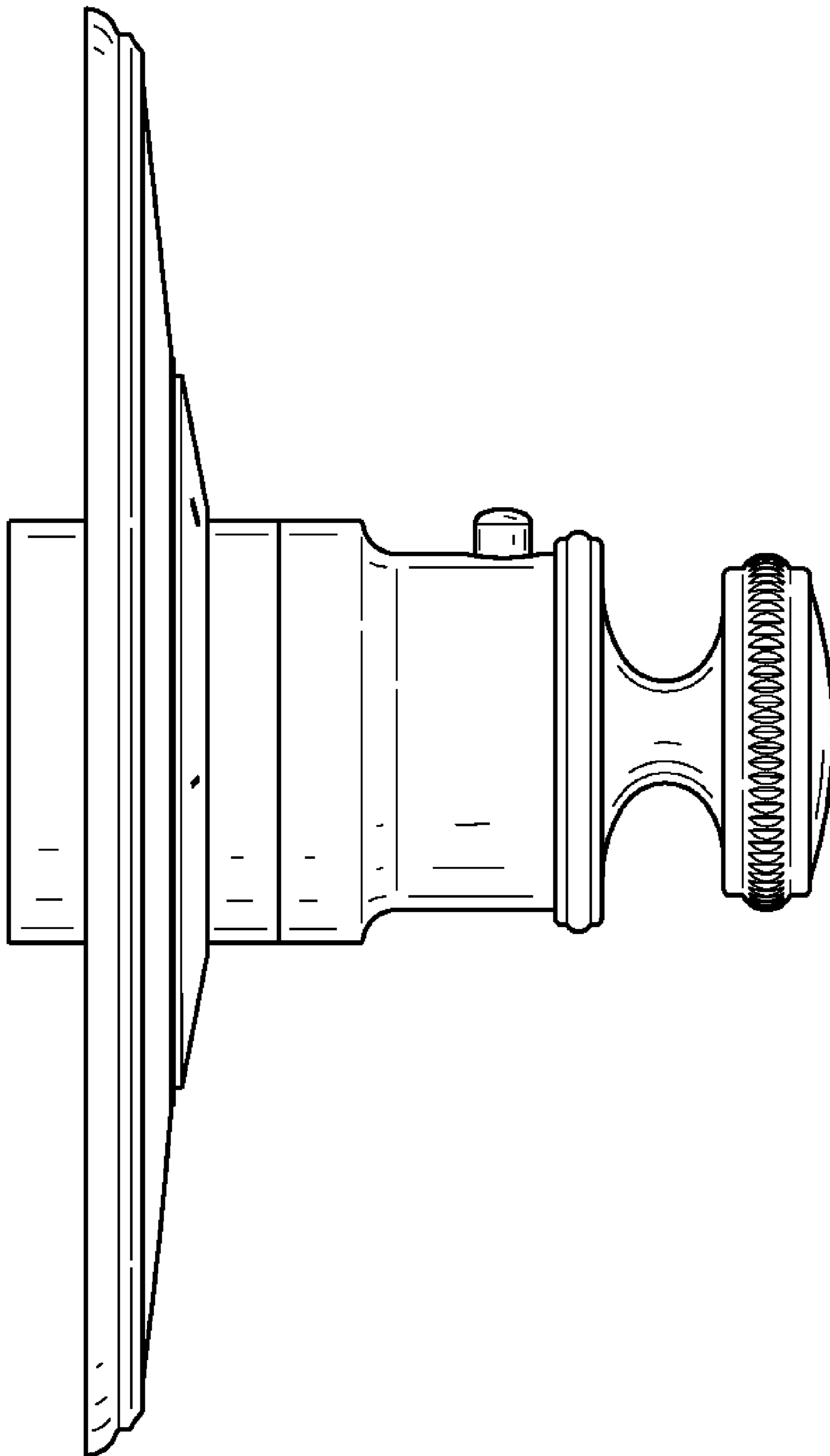
**FIG. 2**



**FIG. 3**



**FIG. 4**



**FIG. 5**