



US00D579529S

(12) **United States Design Patent**
Bickler et al.

(10) **Patent No.:** **US D579,529 S**
(45) **Date of Patent:** **** Oct. 28, 2008**

(54) **SHOWER CONTROL**

D477,058 S * 7/2003 Panis et al. D23/254

(75) Inventors: **Marc Bickler**, Charlotte, NC (US);
Victor Hoernig, Lowell, IN (US);
Geraint Krumpe, Chicago, IL (US)

* cited by examiner

Primary Examiner—Robert A Delehanty
(74) *Attorney, Agent, or Firm*—Edgar A. Zarins; Lloyd D. Doigan

(73) Assignee: **Brasstech, Inc.**, Santa Ana, CA (US)

(57) **CLAIM**

(**) Term: **14 Years**

The ornamental design for a shower control, as shown and described.

(21) Appl. No.: **29/279,561**

(22) Filed: **May 3, 2007**

DESCRIPTION

(51) **LOC (8) Cl.** **23-01**

FIG. 1 is a front perspective view of a shower control showing our design;

(52) **U.S. Cl.** **D23/254**

FIG. 2 is a front elevational view thereof;

(58) **Field of Classification Search** D23/250,

FIG. 3 is a left side elevational view thereof;

D23/252–254, 238–243, 244–249, 304; 4/675–678;

FIG. 4 is a right side elevational view thereof;

D8/300, 307–308; D6/550; 137/801; 16/110.1,

FIG. 5 is a top plan view thereof; and,

16/441

FIG. 6 is a bottom plan view thereof.

See application file for complete search history.

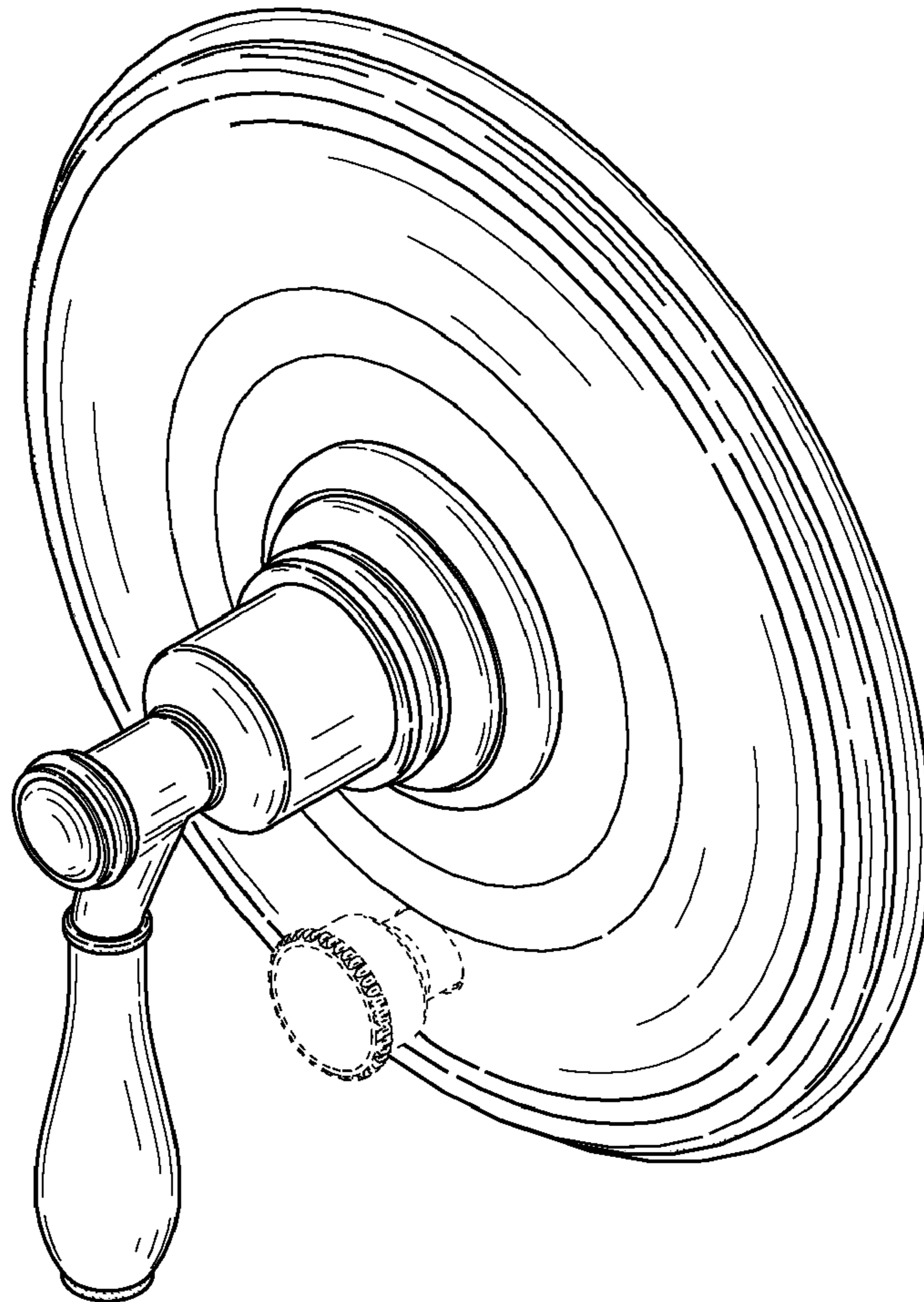
The broken lines in the Figures are for illustrative purposes only and form no part of the claimed design.

(56) **References Cited**

U.S. PATENT DOCUMENTS

D476,722 S * 7/2003 Panis et al. D23/254

1 Claim, 6 Drawing Sheets



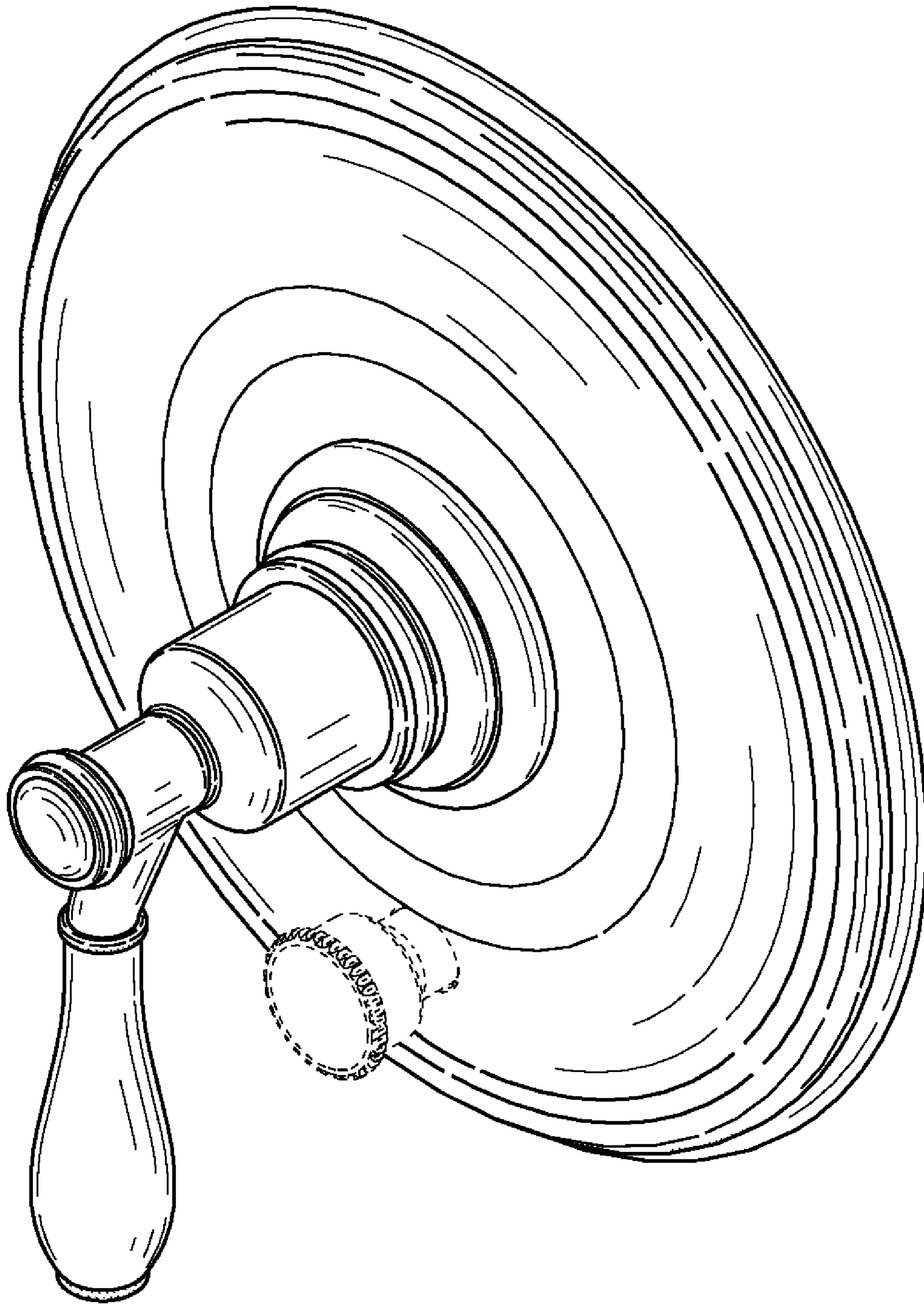


FIG. 1

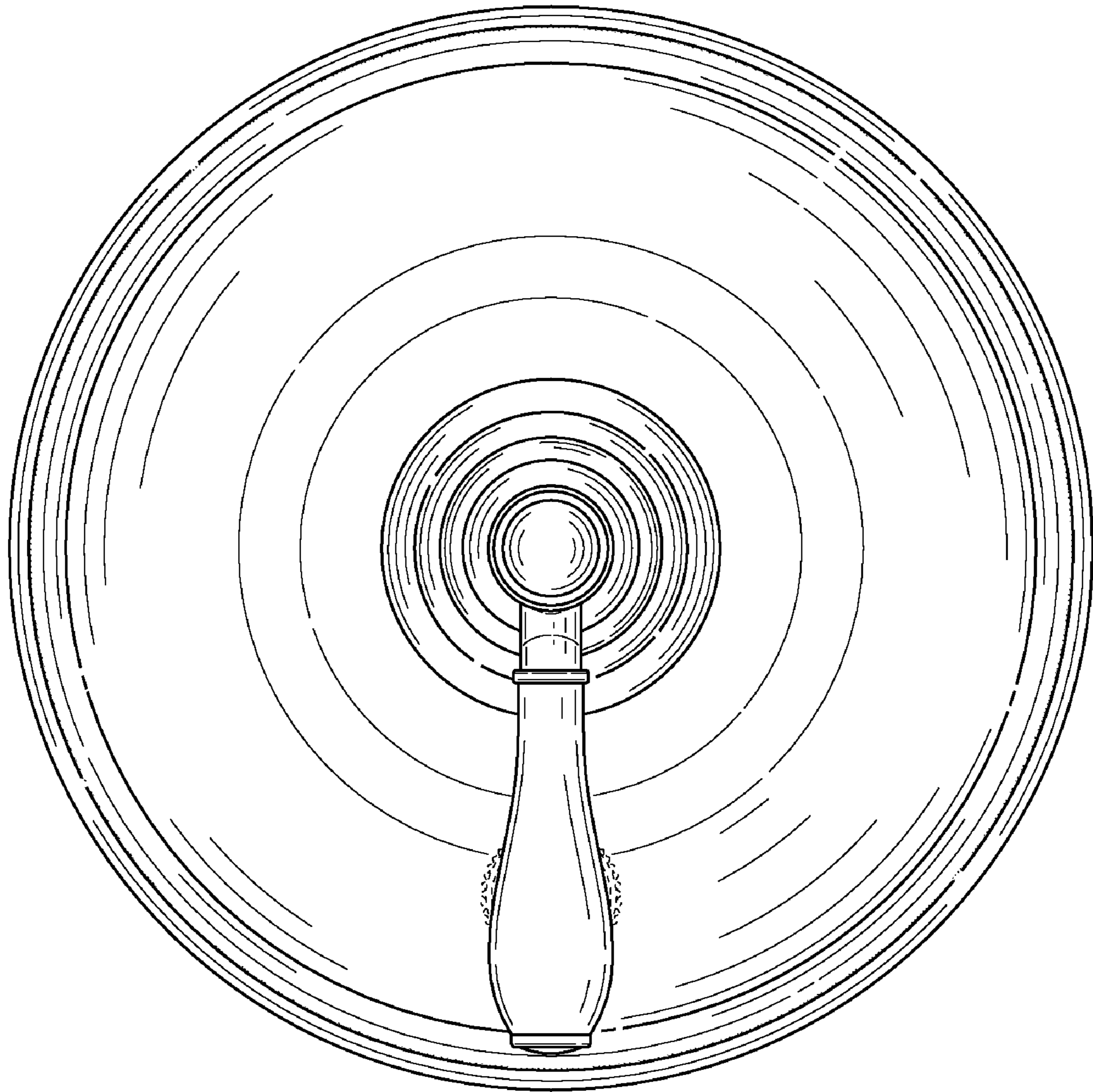


FIG. 2

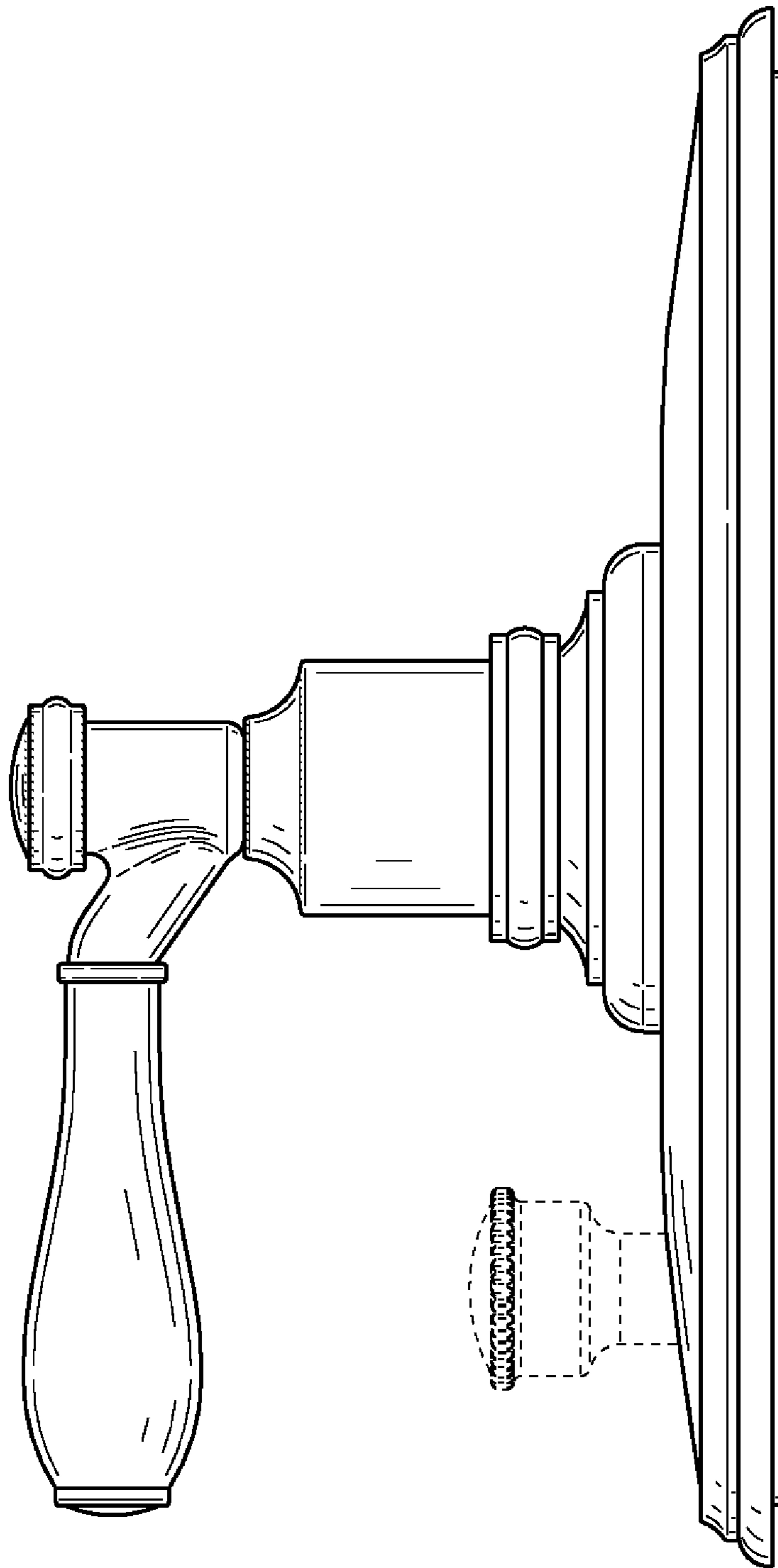


FIG. 3

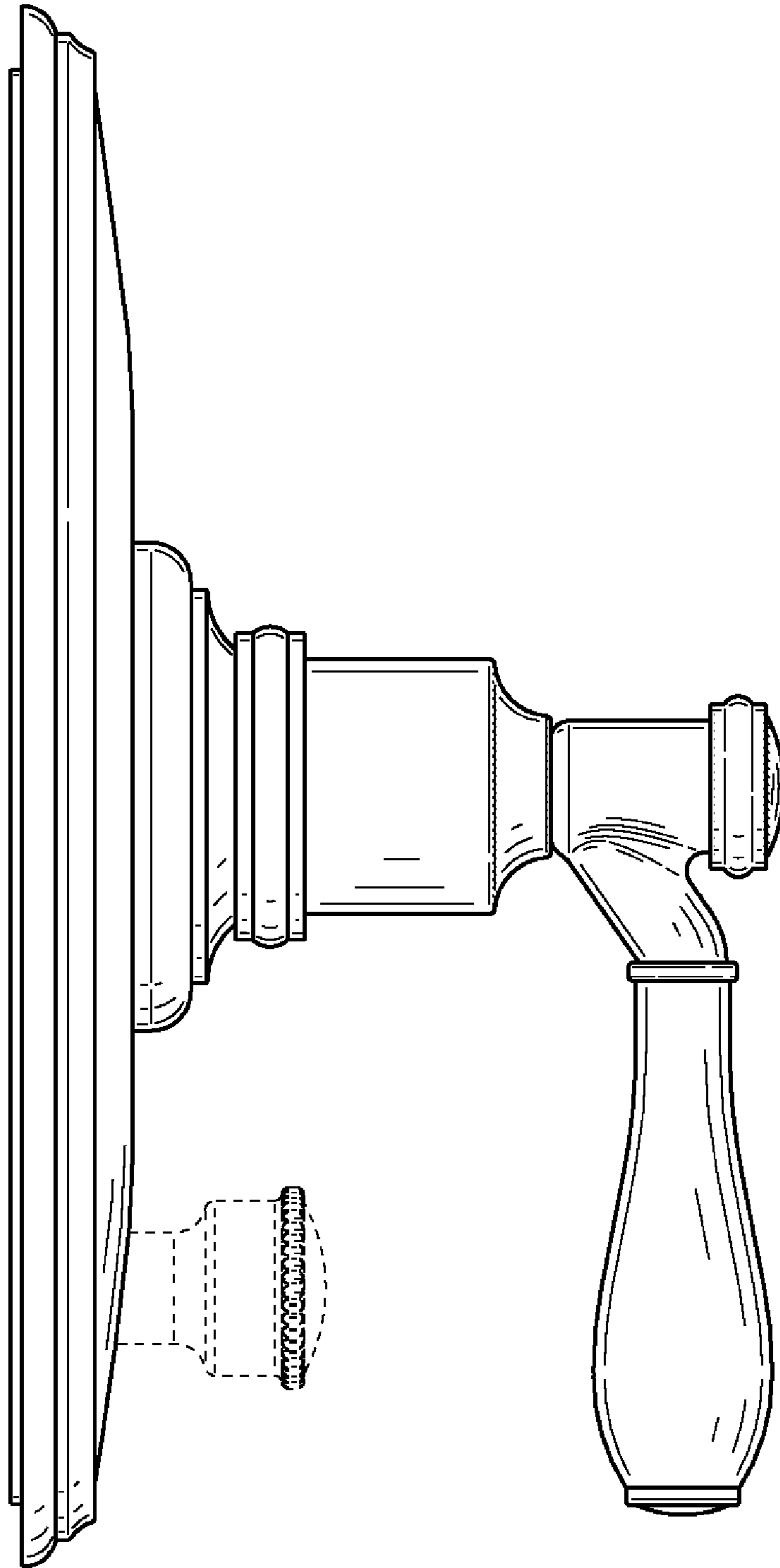


FIG. 4

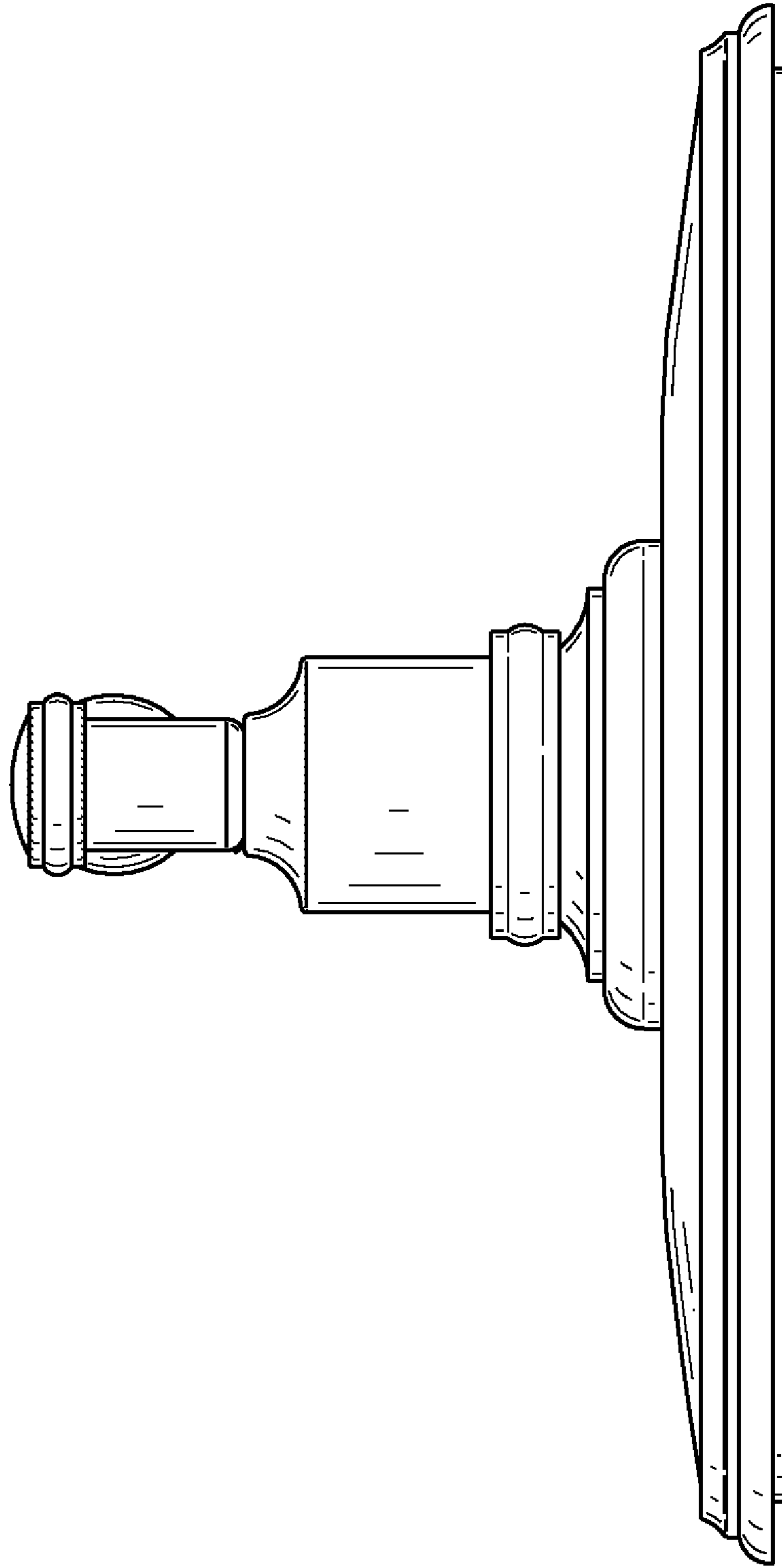


FIG. 5

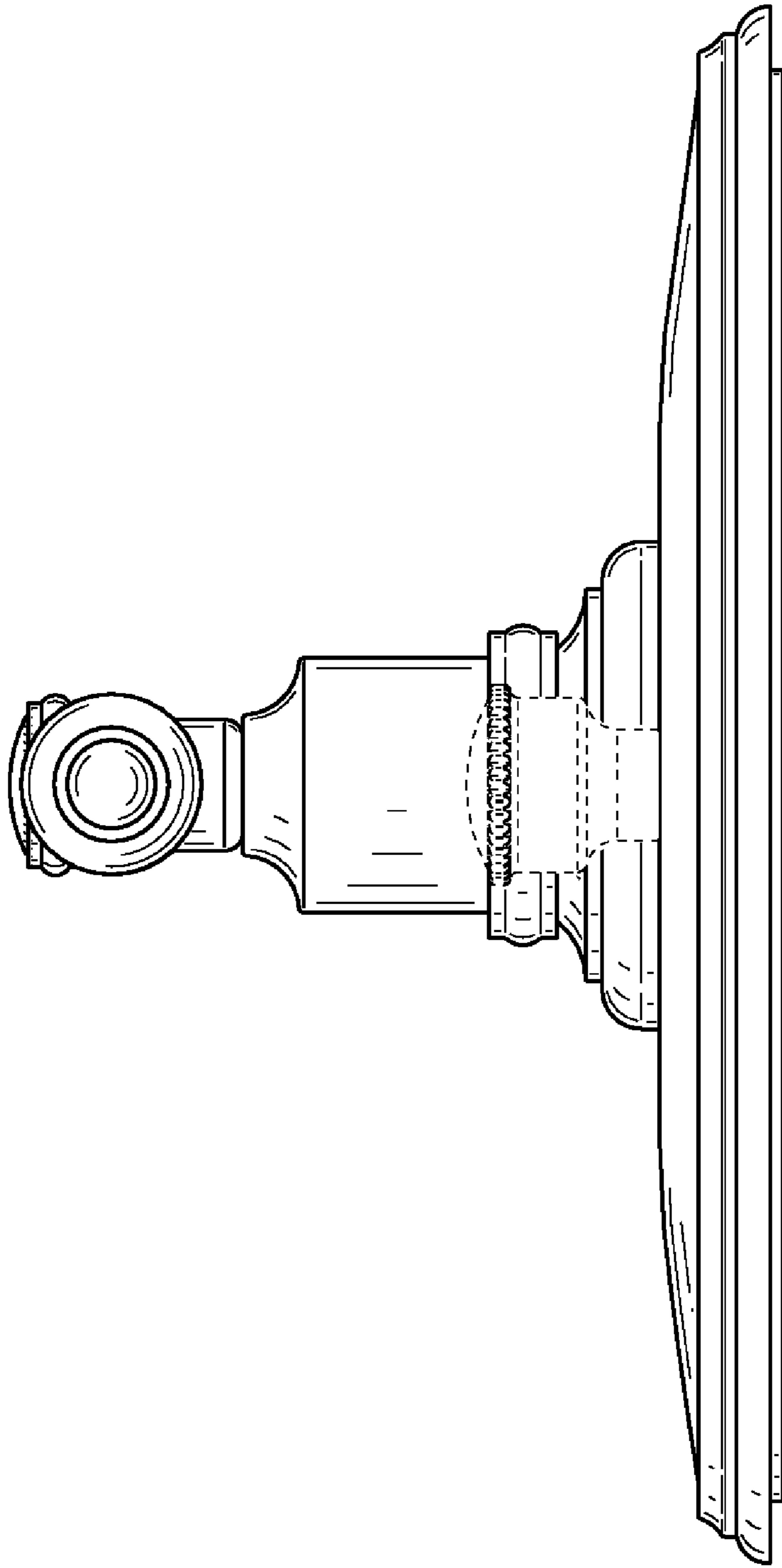


FIG. 6