



US00D579528S

(12) **United States Design Patent**  
**Citterio**

(10) **Patent No.:** **US D579,528 S**

(45) **Date of Patent:** **\*\* Oct. 28, 2008**

(54) **FAUCET HANDLE**

D552,216 S \* 10/2007 Haug et al. .... D23/252

(75) Inventor: **Antonio Citterio**, Milan (IT)

\* cited by examiner

(73) Assignee: **Hansgrohe AG** (DE)

*Primary Examiner*—Robert A Delehanty

(\*\*) Term: **14 Years**

(74) *Attorney, Agent, or Firm*—Leon E. Redman; Lloyd D. Doigan

(21) Appl. No.: **29/283,265**

(57) **CLAIM**

(22) Filed: **Aug. 9, 2007**

The ornamental design for a faucet handle, as shown and described.

(30) **Foreign Application Priority Data**

**DESCRIPTION**

Feb. 27, 2007 (EM) ..... 000679303-0002

(51) **LOC (8) Cl.** ..... **23-01**

FIG. 1 is a front perspective view of a faucet handle showing my design;

(52) **U.S. Cl.** ..... **D23/252**

FIG. 2 is a front elevational view thereof;

(58) **Field of Classification Search** ..... D23/250,

FIG. 3 is a rear elevational view thereof;

D23/252-254, 238-243, 244-249; 4/675-678;  
D8/300, 307-308; D6/550; 137/801; 16/110.1,  
16/441

FIG. 4 is a left side elevational view thereof; the right side elevational view being a mirror image thereof; and,

See application file for complete search history.

FIG. 5 is a top plan view thereof.

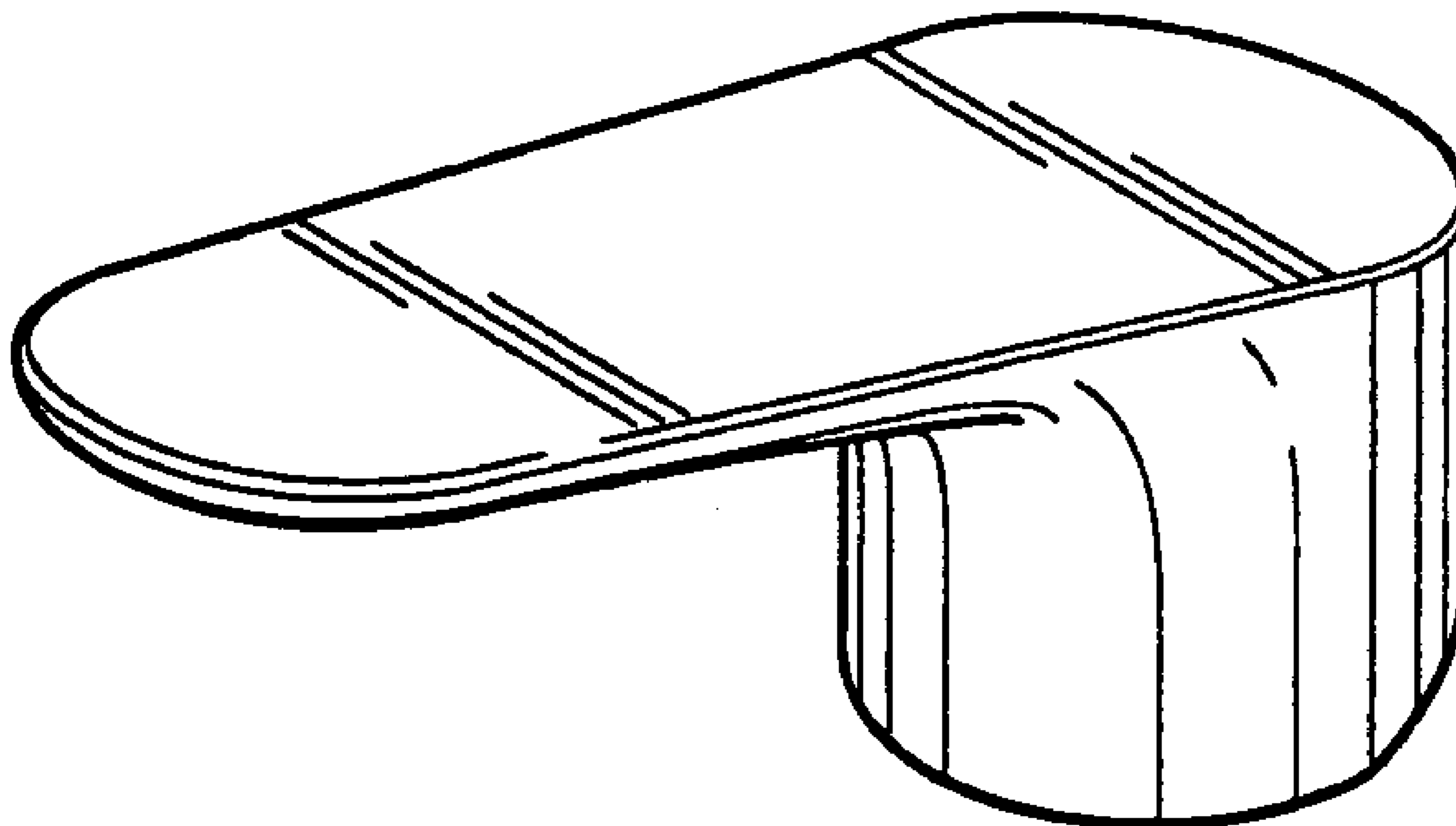
(56) **References Cited**

The broken lines in the Figures are for illustrative purposes only and form no part of the claimed design.

**U.S. PATENT DOCUMENTS**

D306,336 S \* 2/1990 Oberdorfer ..... D23/252

**1 Claim, 4 Drawing Sheets**



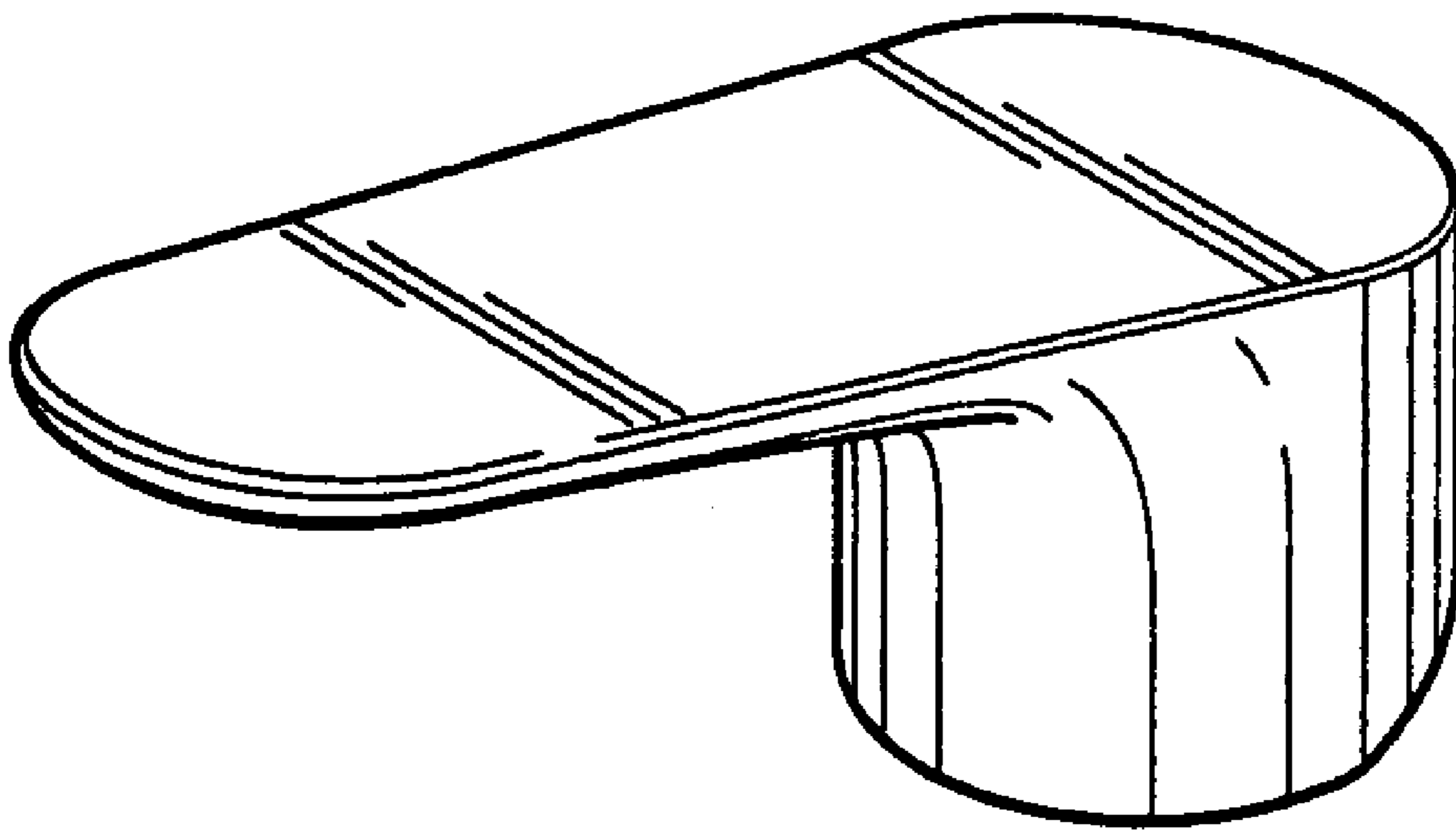


FIG. 1

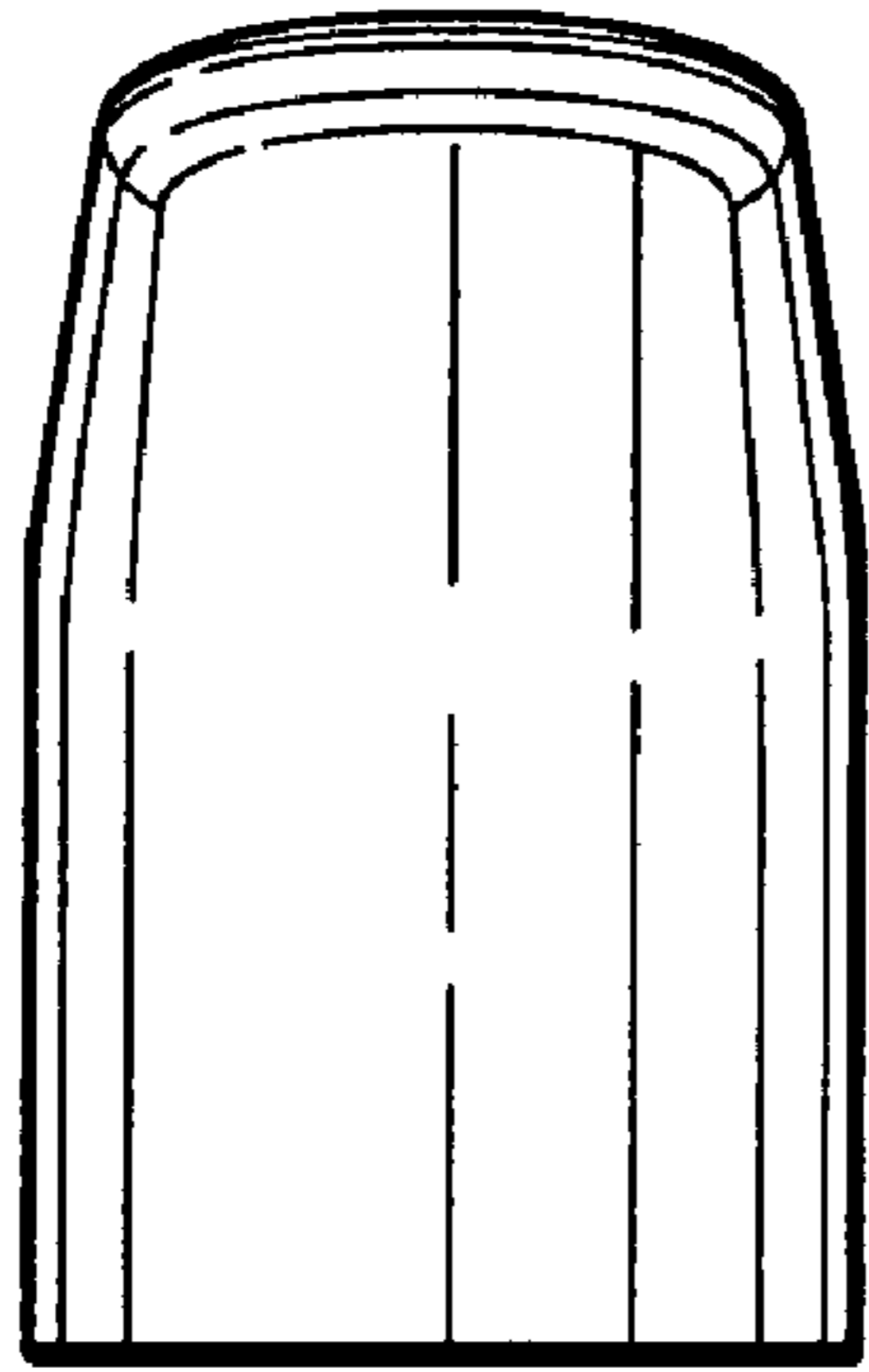


FIG. 2

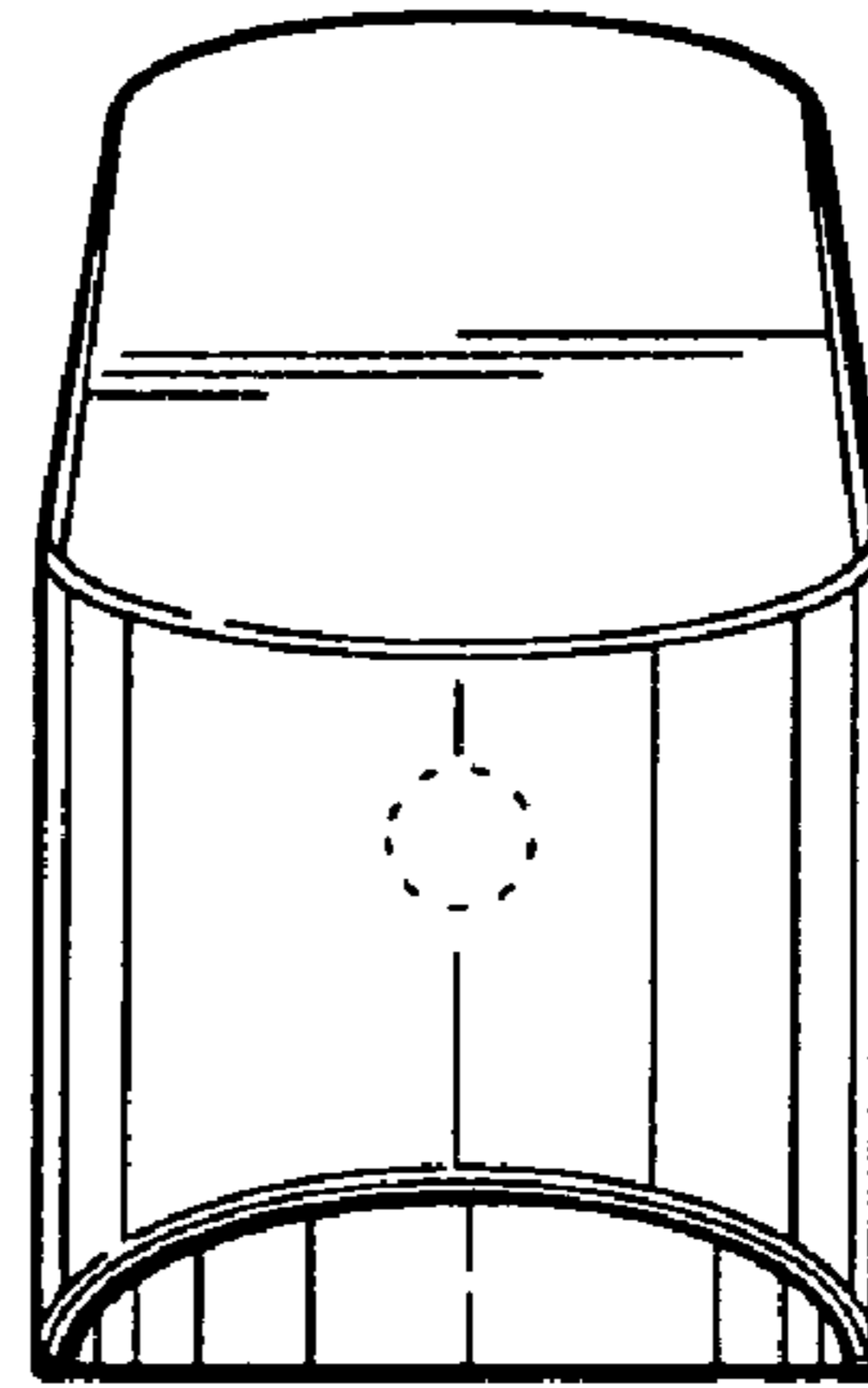


FIG. 3

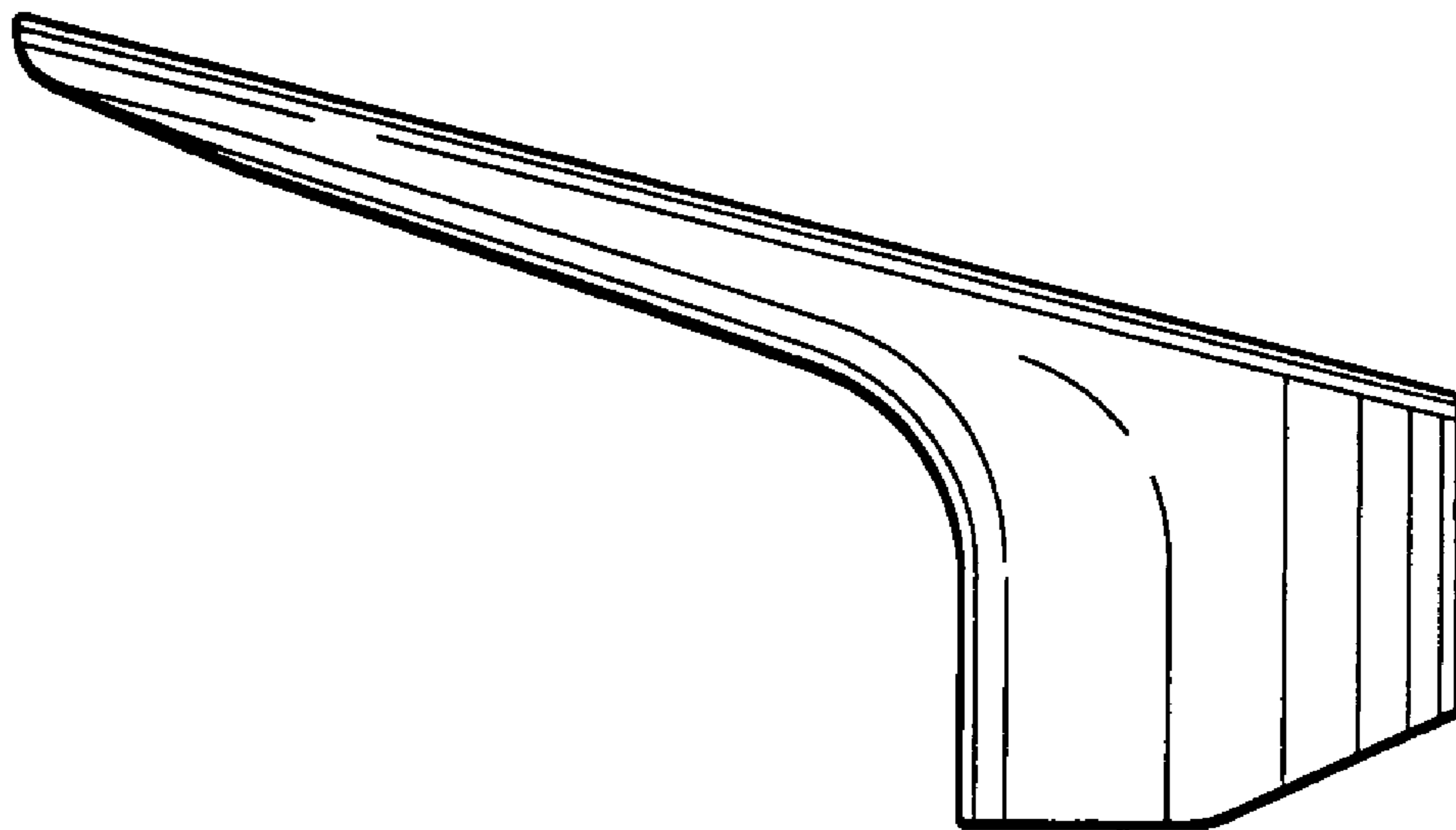


FIG. 4

FIG. 5

