



US00D579525S

(12) **United States Design Patent**
Zhang

(10) **Patent No.:** **US D579,525 S**

(45) **Date of Patent:** **** Oct. 28, 2008**

(54) **FAUCET HANDLE**

(75) **Inventor:** **Yuting Zhang**, Baoan District Shenzhen (CN)

(73) **Assignee:** **Globe Union Industrial Corp.**, Taichung (TW)

(**) **Term:** **14 Years**

(21) **Appl. No.:** **29/281,918**

(22) **Filed:** **Jul. 6, 2007**

(51) **LOC (8) Cl.** **23-01**

(52) **U.S. Cl.** **D23/250**

(58) **Field of Classification Search** D23/250,
D23/252-254, 238-243, 244-249; 4/675-678;
D8/300, 307-308; D6/550; 137/801; 16/110.1,
16/441

See application file for complete search history.

(56) **References Cited**

U.S. PATENT DOCUMENTS

D461,537 S * 8/2002 Ouyoung D23/254

D477,386 S * 7/2003 Schonherr et al. D23/250

D512,488 S * 12/2005 Kulig D23/252

D517,661 S * 3/2006 Wolf D23/252

* cited by examiner

Primary Examiner—Robert A Delehanty

(74) *Attorney, Agent, or Firm*—Leong C. Lei

(57) **CLAIM**

The ornamental design for a faucet handle, as shown and described.

DESCRIPTION

FIG. 1 is a perspective view of a faucet handle showing my new design;

FIG. 2 is a front elevational view thereof;

FIG. 3 is a rear elevational view thereof;

FIG. 4 is a left side elevational view thereof;

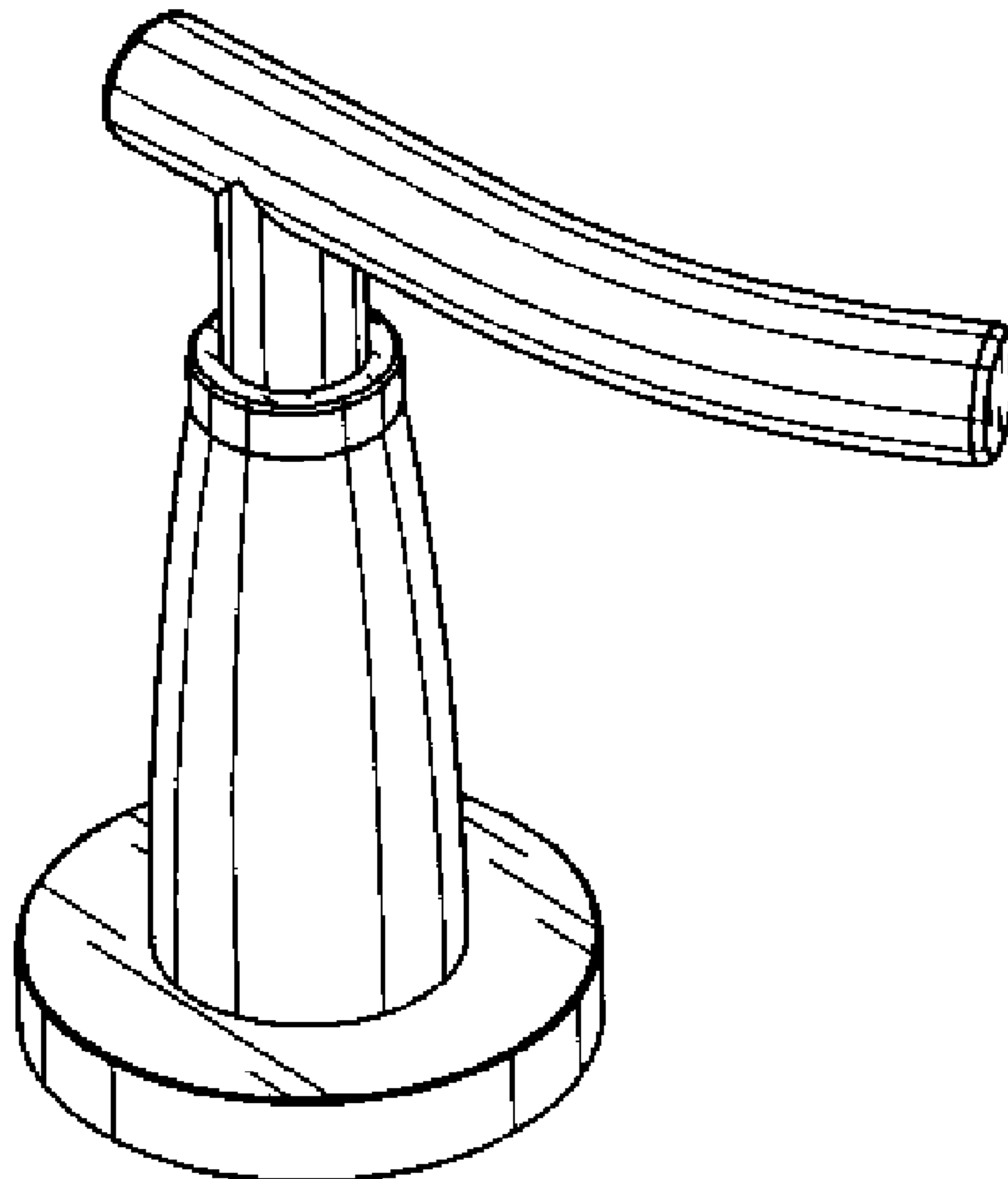
FIG. 5 is a right side elevational view thereof;

FIG. 6 is a top plan view thereof; and,

FIG. 7 is another perspective view thereof, with the spout and another faucet handle engaged.

The dotted line showing of the spout and the faucet handle is for illustrative purposes only and forms no part of the claimed design.

1 Claim, 7 Drawing Sheets



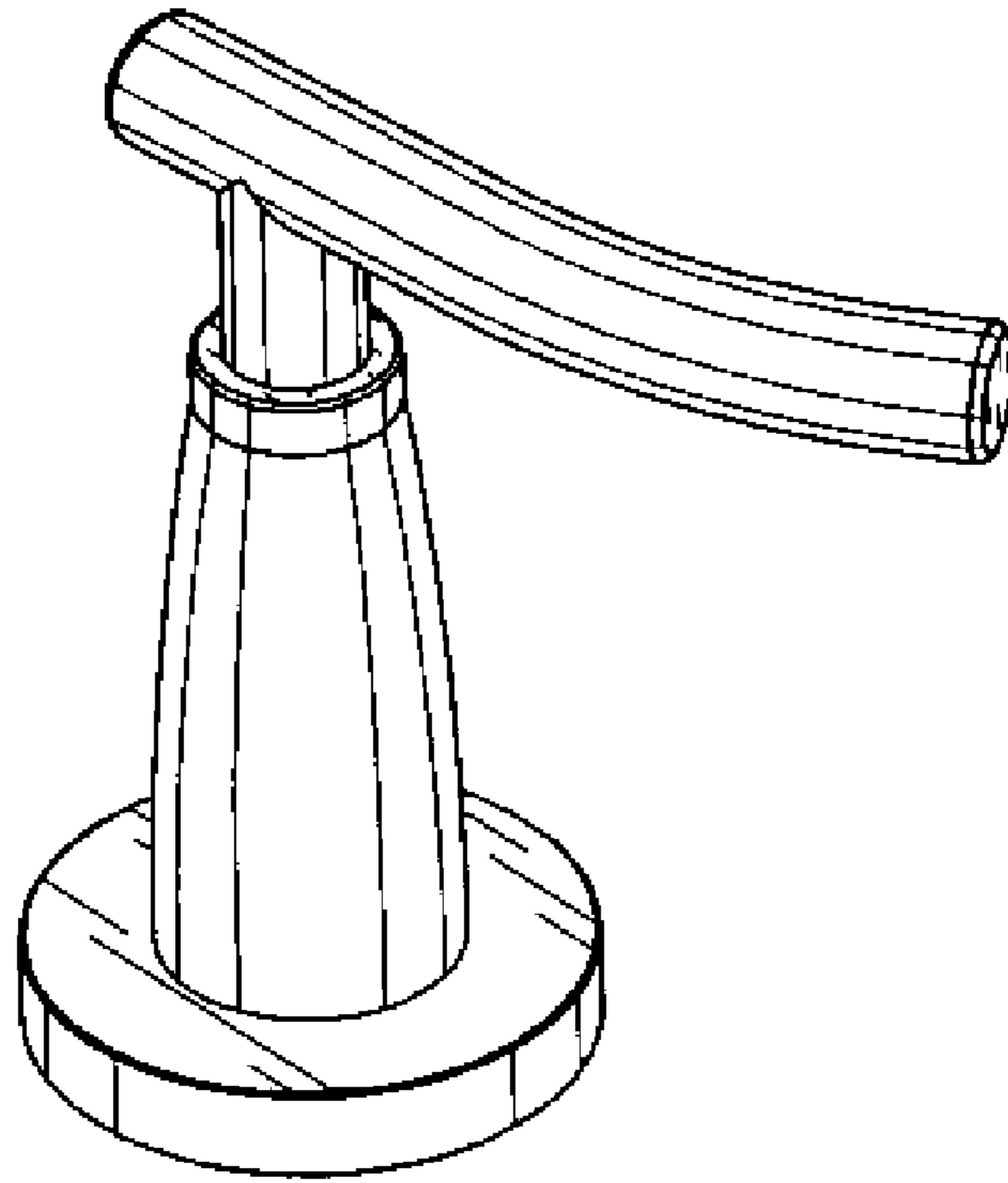


FIG. 1

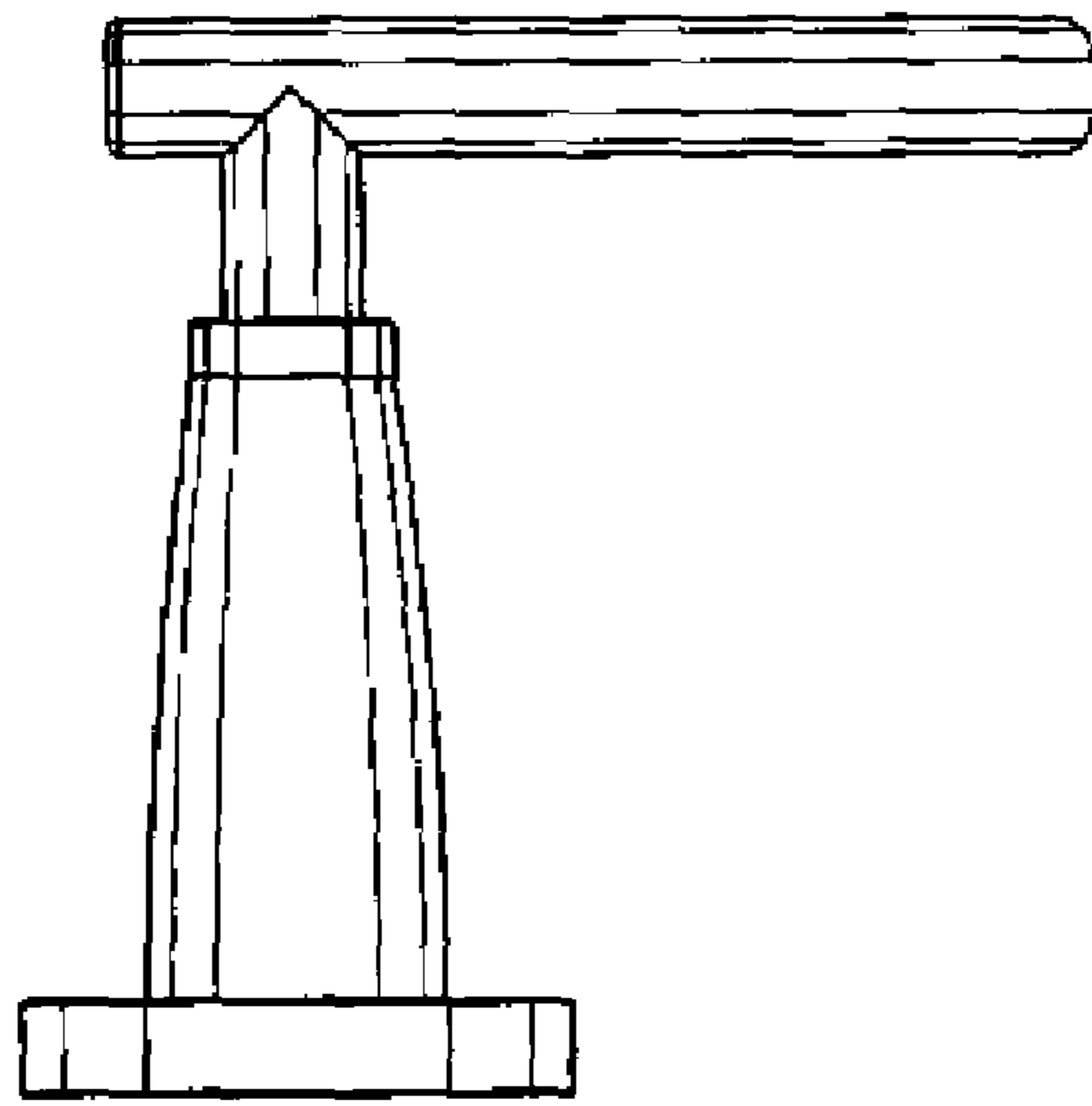


FIG. 2

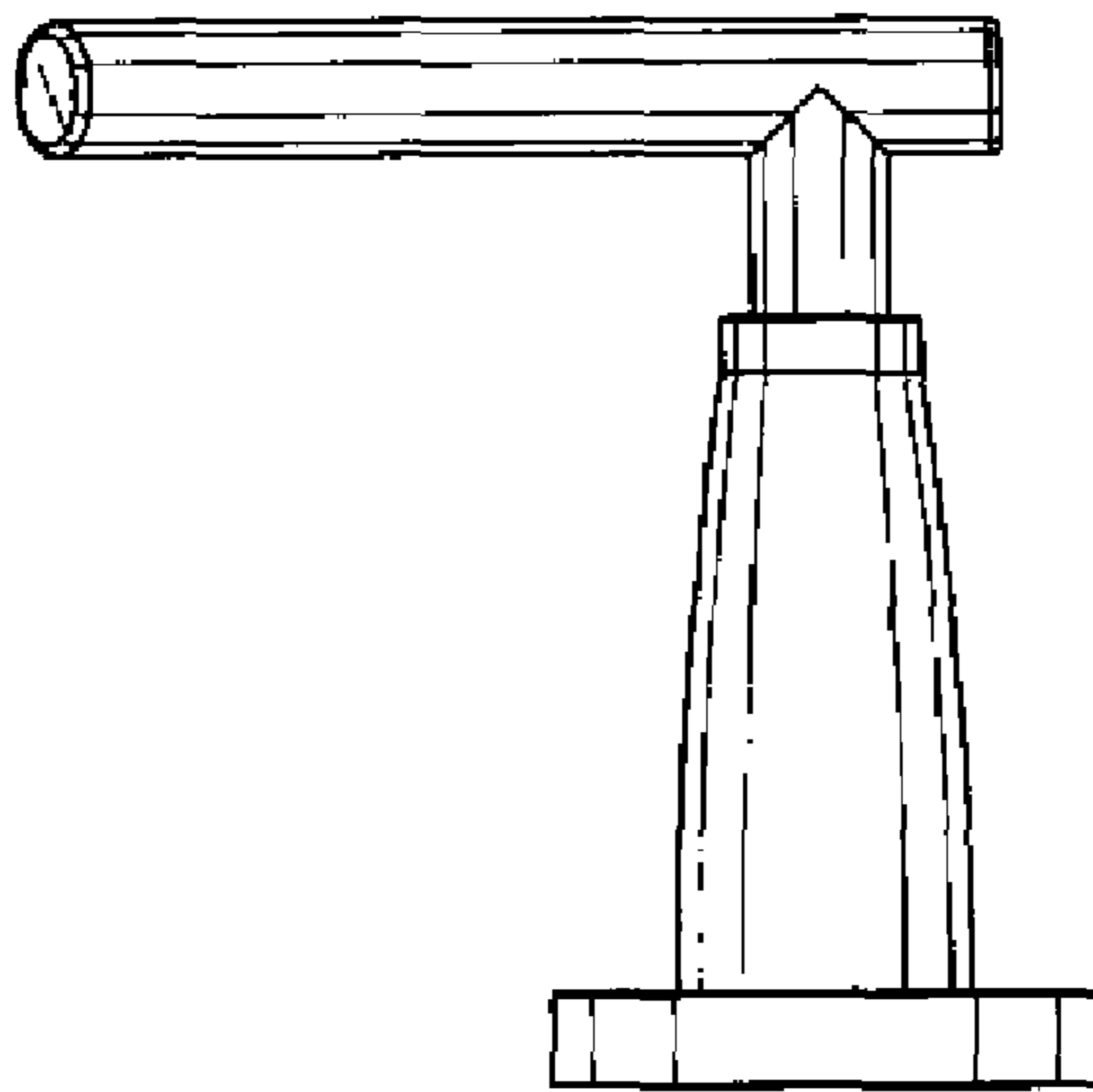


FIG. 3

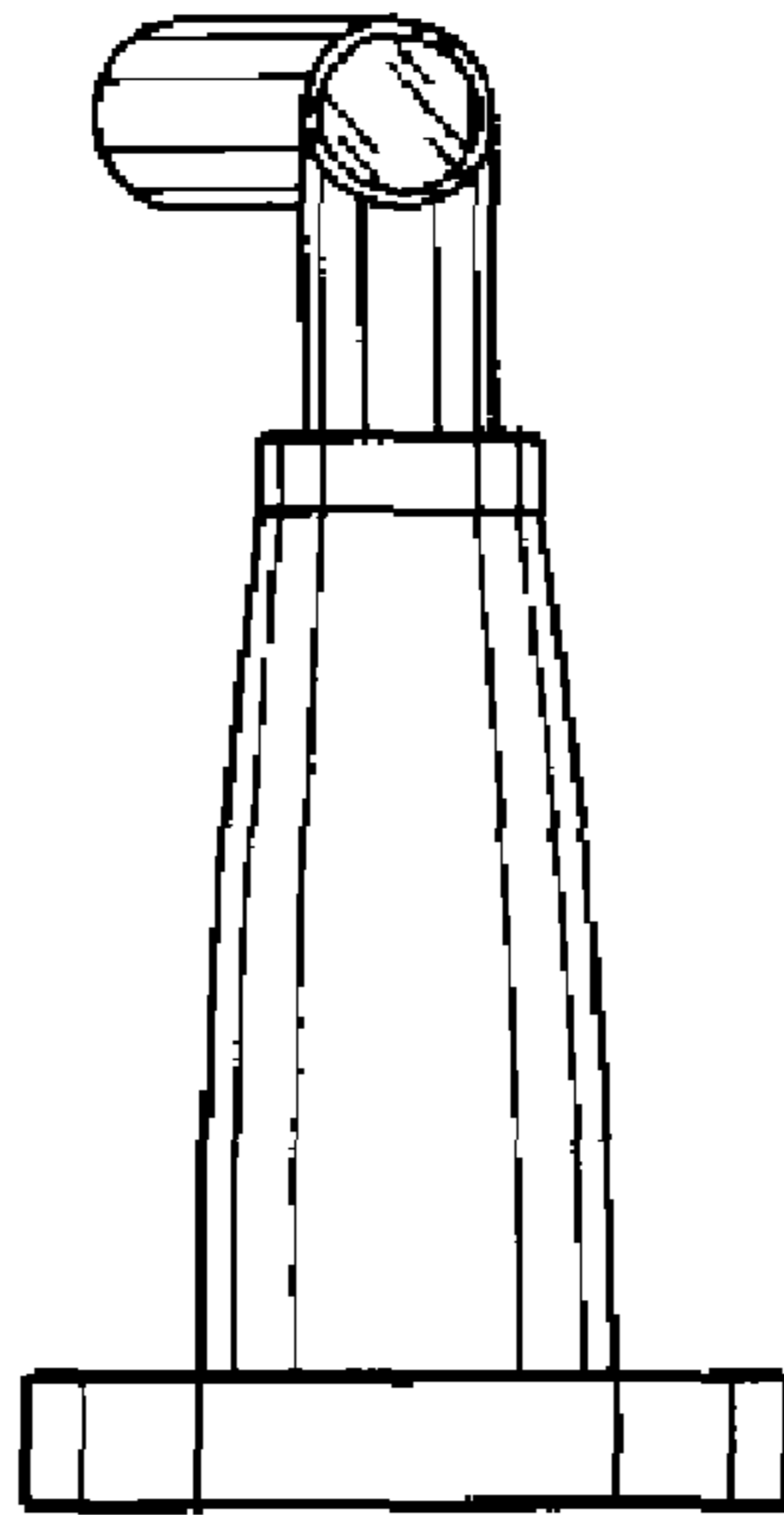


FIG. 4

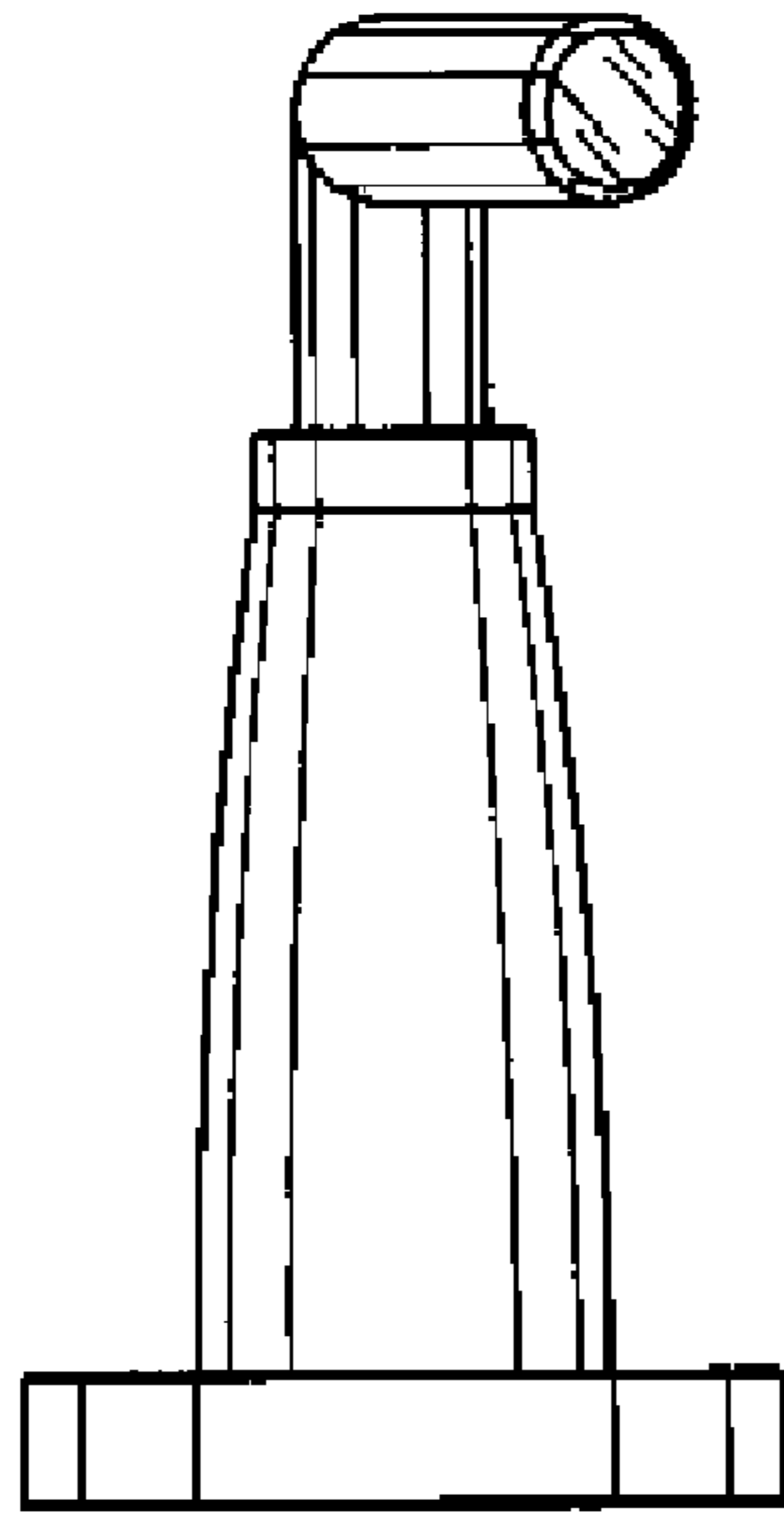


FIG. 5

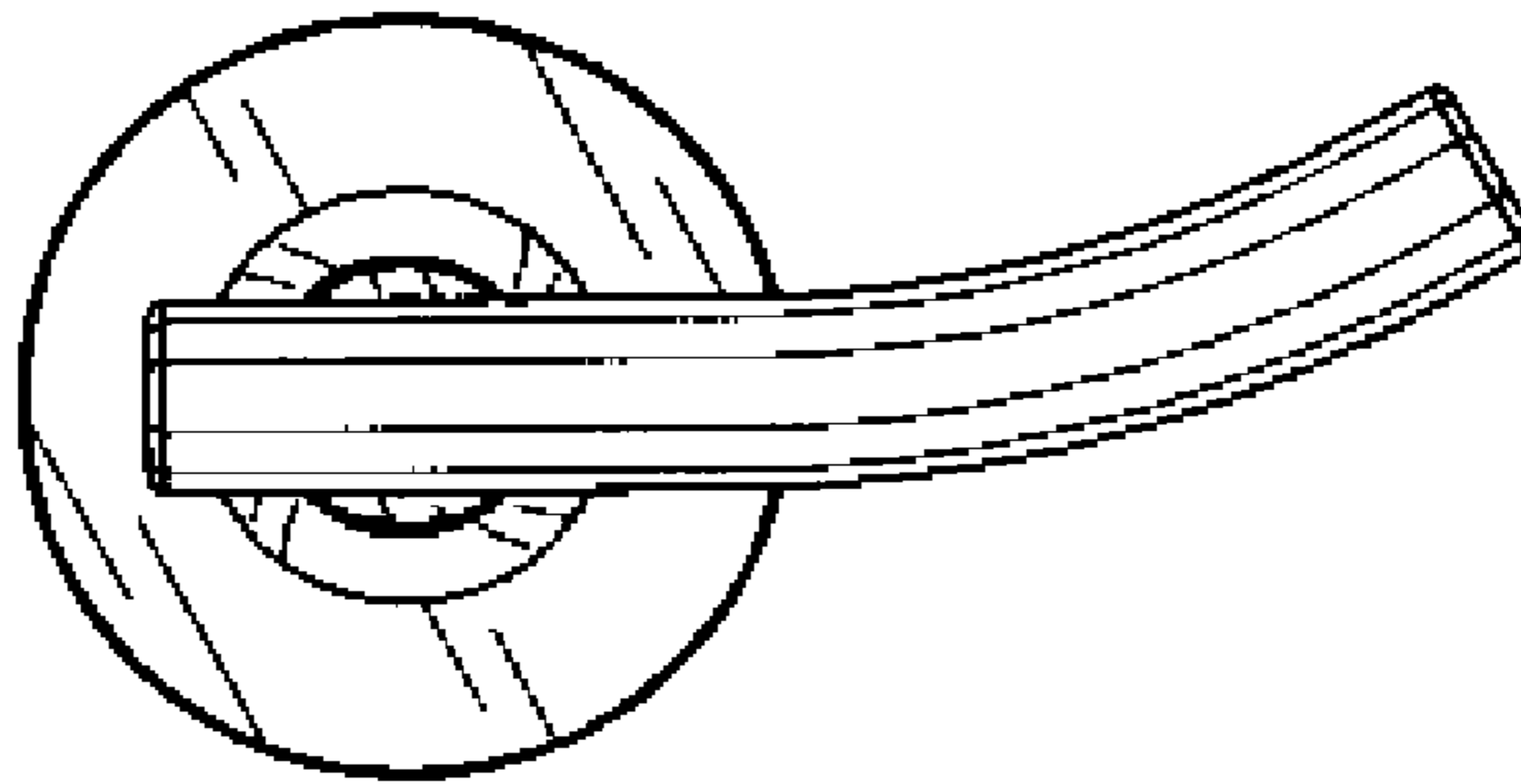


FIG. 6

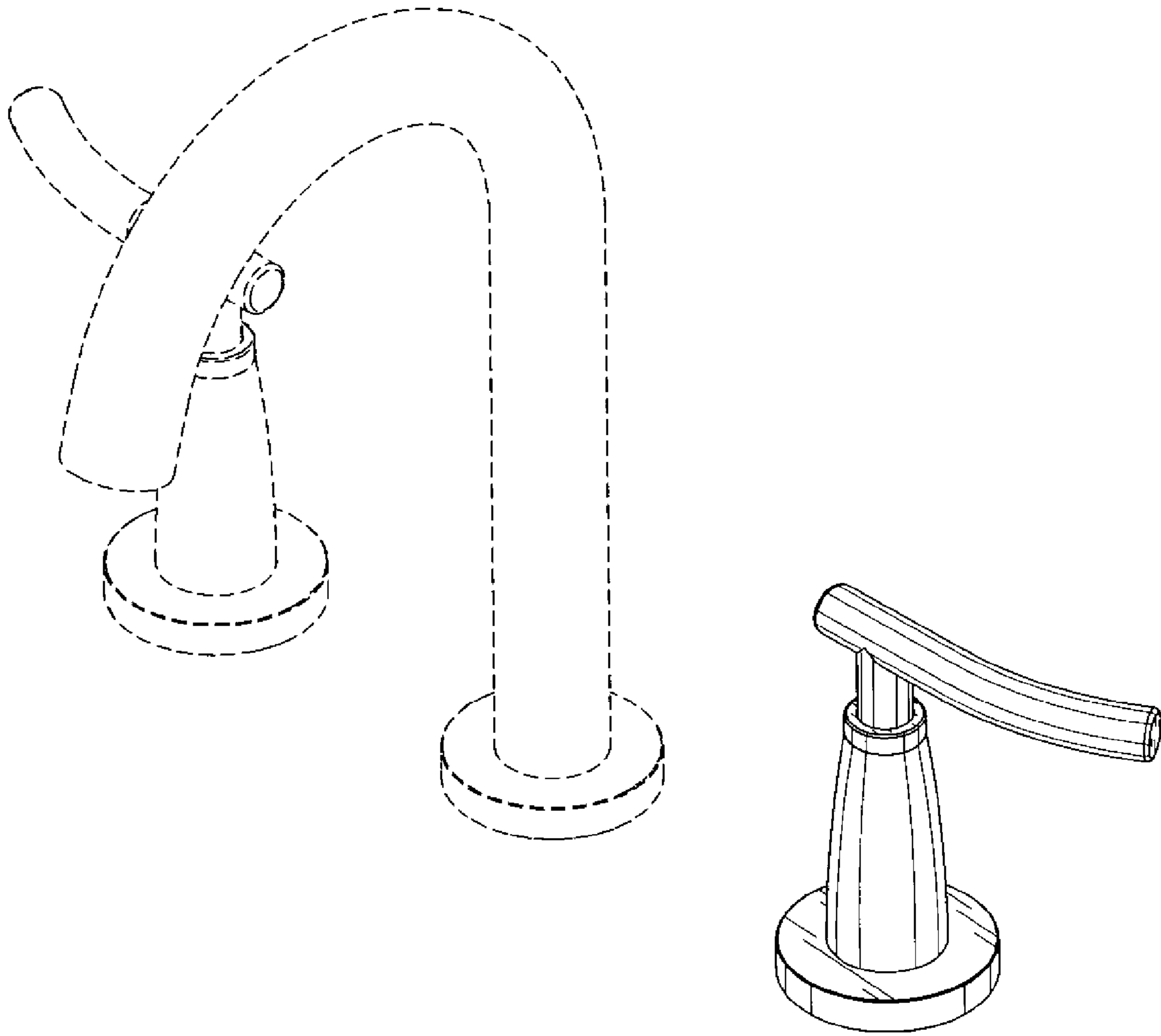


FIG. 7