



US00D579523S

(12) **United States Design Patent**
Montgomery et al.

(10) **Patent No.:** **US D579,523 S**
(45) **Date of Patent:** **** Oct. 28, 2008**

(54) **PLUMBING FITTING**

(75) Inventors: **Howard M. Montgomery**, Sheboygan, WI (US); **Coralee S. Sandee**, Sheboygan, WI (US); **Michael Furseth**, Sheboygan Falls, WI (US); **Herbert V. Kohler, Jr.**, Kohler, WI (US)

(73) Assignee: **Kohler Co.**, Kohler, WI (US)

(**) Term: **14 Years**

(21) Appl. No.: **29/279,419**

(22) Filed: **Apr. 30, 2007**

(51) **LOC (8) Cl.** **23-01**

(52) **U.S. Cl.** **D23/250**

(58) **Field of Classification Search** D23/250,
D23/252-254, 238-243, 244-249; 4/675-678;
D8/300, 307-308; D6/550; 137/801; 16/110.1,
16/441

See application file for complete search history.

(56) **References Cited**

U.S. PATENT DOCUMENTS

D317,386 S *	6/1991	McKeone	D6/524
D318,099 S *	7/1991	Reid et al.	D23/255
D322,841 S *	12/1991	Kohler et al.	D23/255
D477,386 S *	7/2003	Schonherr et al.	D23/250
D505,714 S *	5/2005	Dretzka	D23/252
D517,662 S *	3/2006	Mullenmeister	D23/252
D518,558 S *	4/2006	Soriano	D23/255
D518,880 S *	4/2006	Singtoroj	D23/255
D522,633 S *	6/2006	Hoernig	D23/252
D535,725 S *	1/2007	Chu et al.	D23/241

OTHER PUBLICATIONS

Kallista. "Michael S. Smith Loft Basin Set, Lever Handles". Model No.: P23000-LV. Kallista online catalog. Copyright © 2007 Kallista.

Sterling. "The New Horizon Collection". Sterling catalog, p. 9.
Kohler Co. "Memoirs Centerset Lavatory Faucet with Stately Design." Model No.: K-452-4V. Kohler Co. online catalog. Copyright 2007 Kohler Co.
Kohler Co. "Bravura Series". Model Nos.: K-6846, K-6847, K-6848. Kohler catalog.
Kohler Co. Revival widespread lavatory faucet with traditional lever handles. Kohler Co. online catalog. Model No.: K-16102-4A. Copyright 2007 Kohler Co.

* cited by examiner

Primary Examiner—Robert A Delehanty

(74) *Attorney, Agent, or Firm*—Quarles & Brady LLP

(57) **CLAIM**

The ornamental design for a plumbing fitting, as shown and described.

DESCRIPTION

In a preferred embodiment, the nature of this product is a plumbing fitting in the form of a handle and valve body bonnet for a faucet.

FIG. 1 is a left, top, front perspective view of a plumbing fitting according to our new design;

FIG. 2 is a front elevational view thereof, the rear elevational view thereof being a mirror image of the front view shown;

FIG. 3 is a left side elevational view thereof;

FIG. 4 is a right side elevational view thereof;

FIG. 5 is a top plan view thereof, and

FIG. 6 is a bottom plan view thereof.

The broken line representations in the figures are for the purpose of illustration only, and form no part of the claimed design.

1 Claim, 3 Drawing Sheets

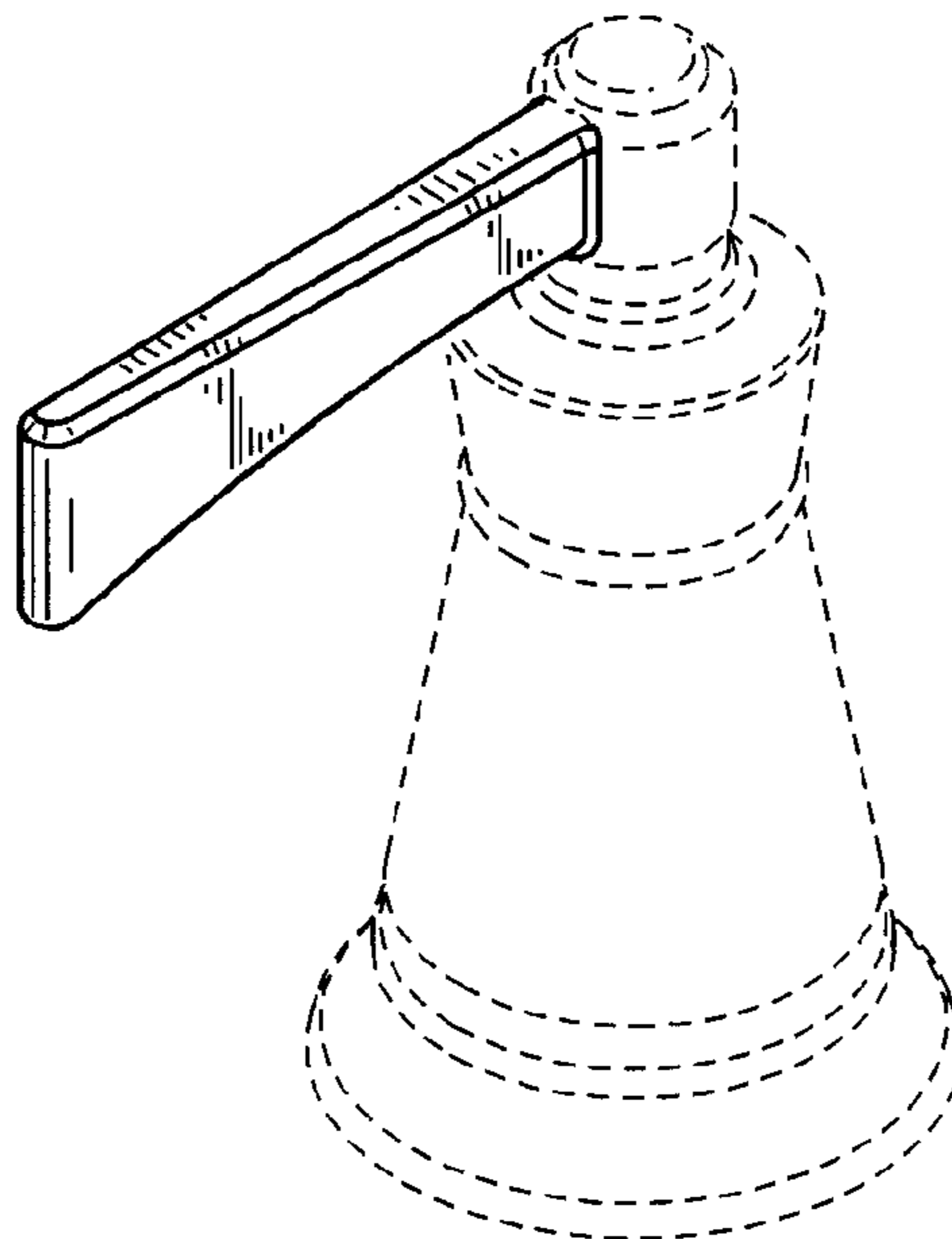


FIG. 1

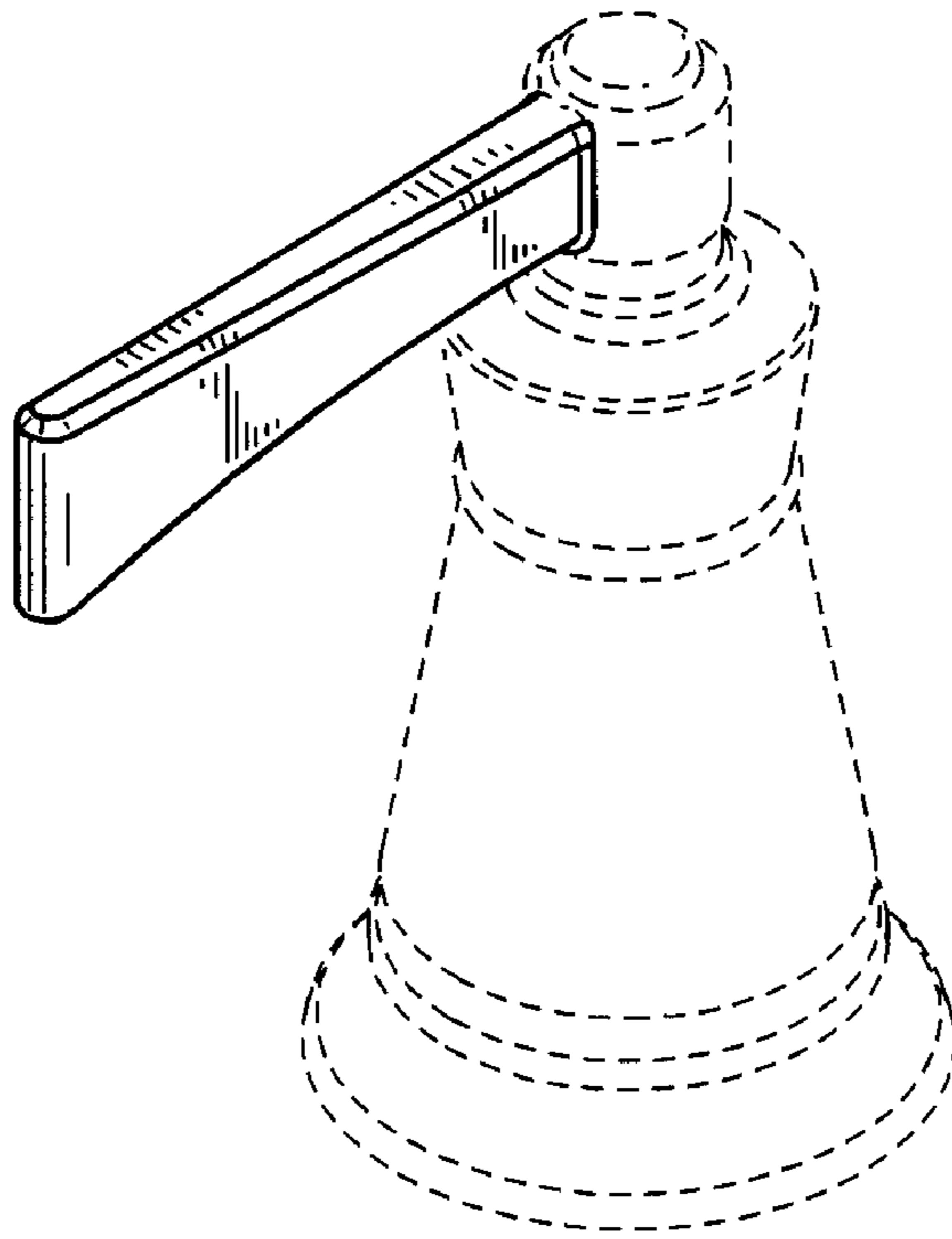
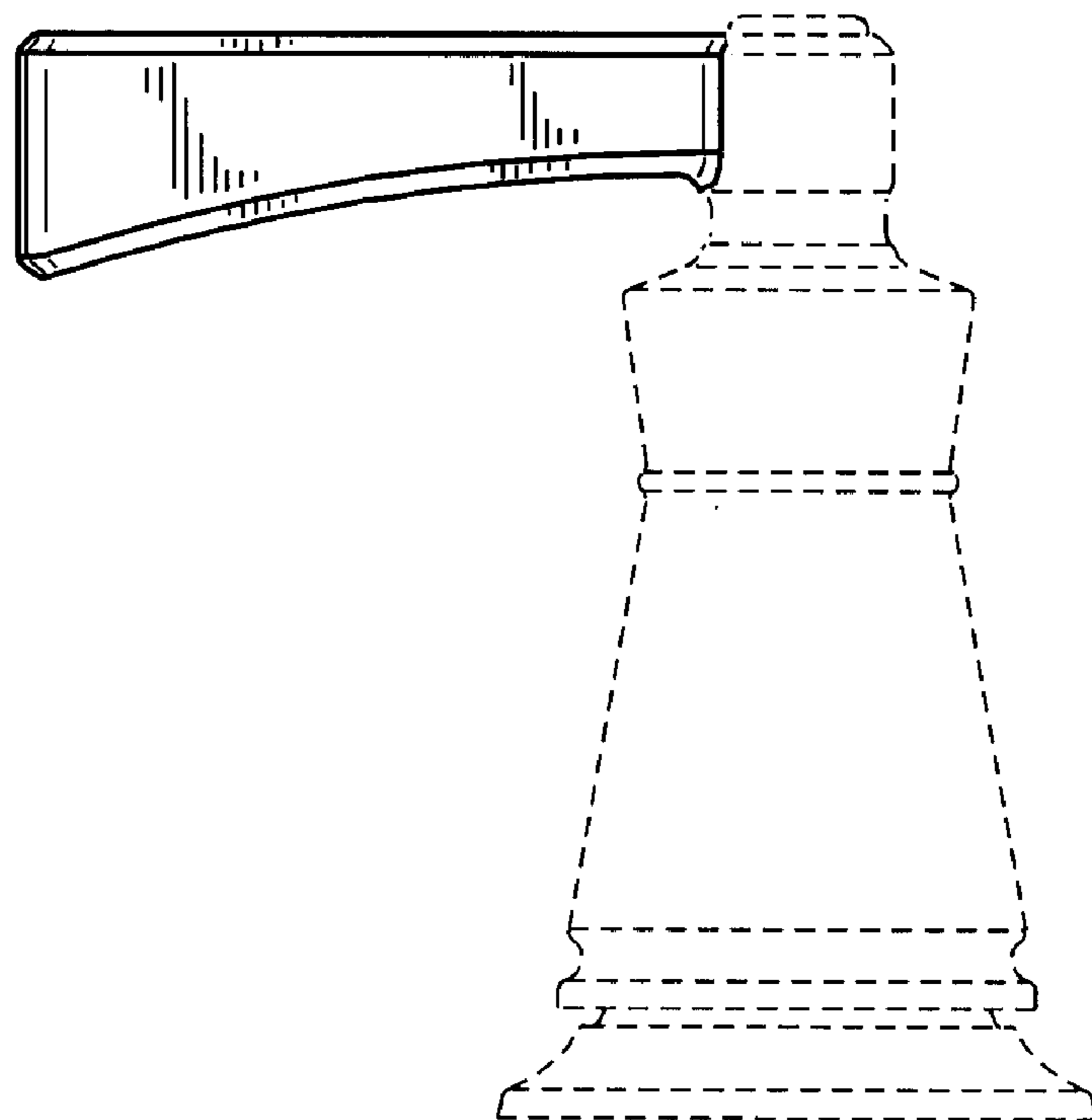


FIG. 2



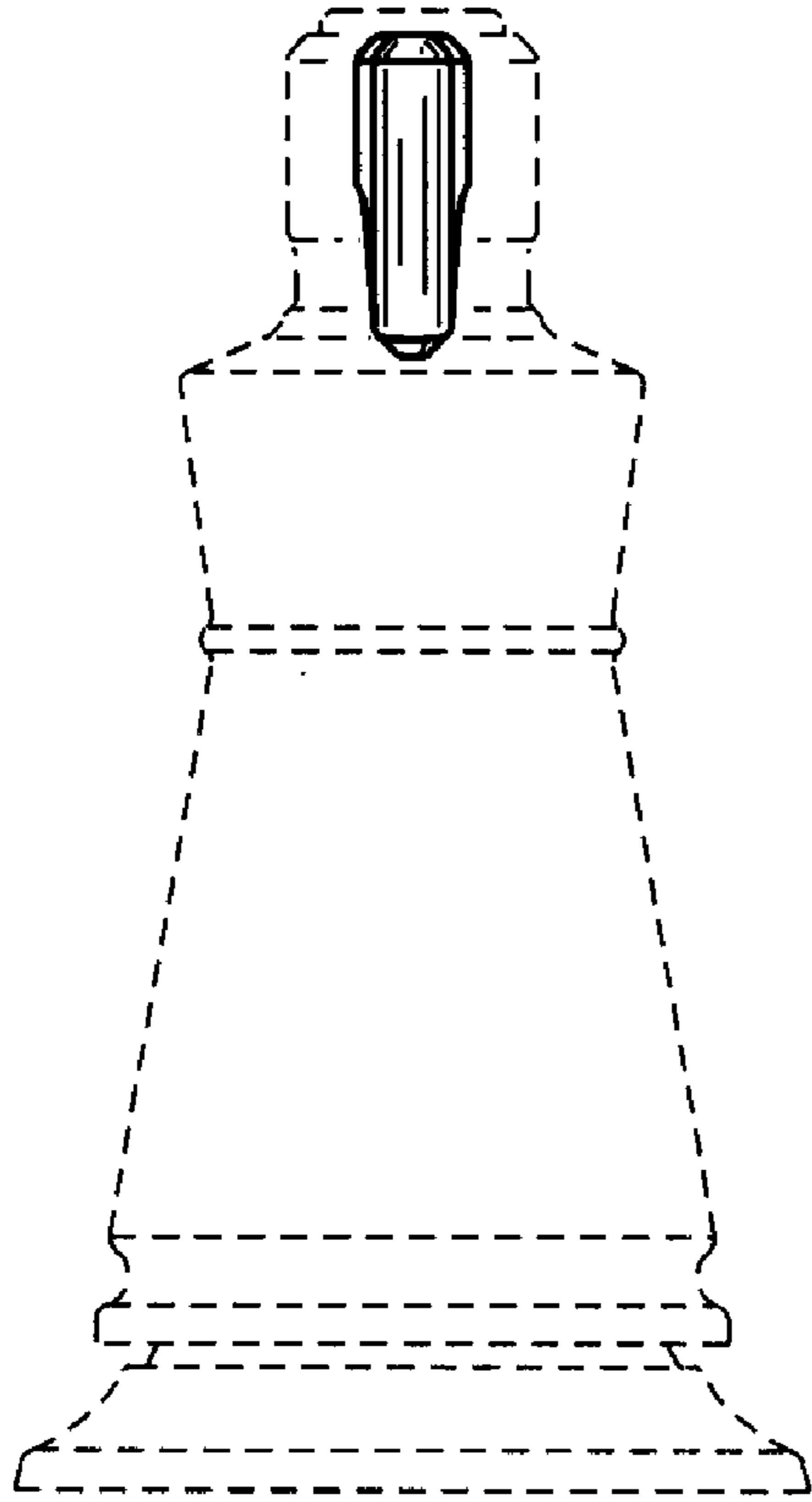
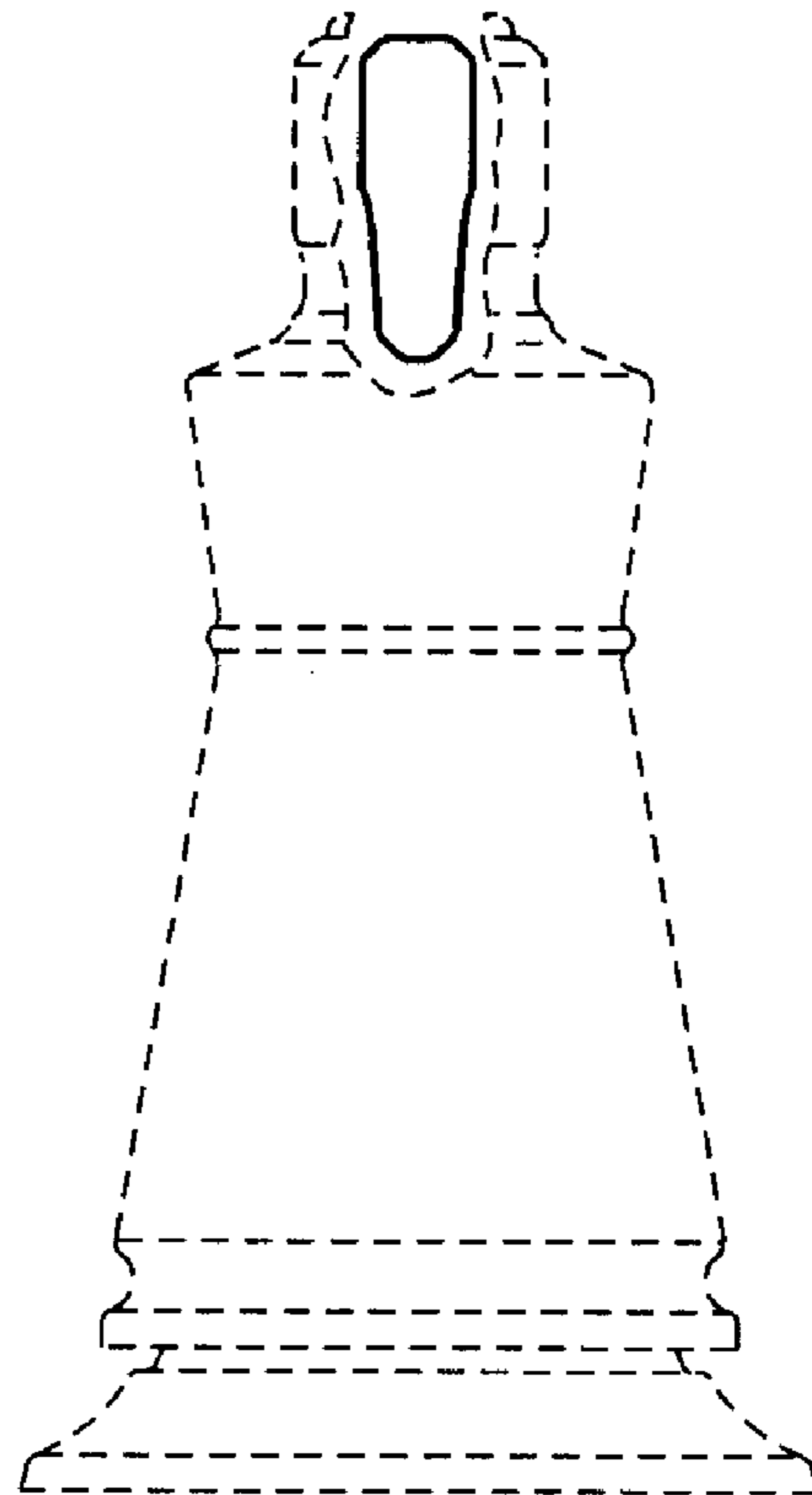


FIG. 3

FIG. 4



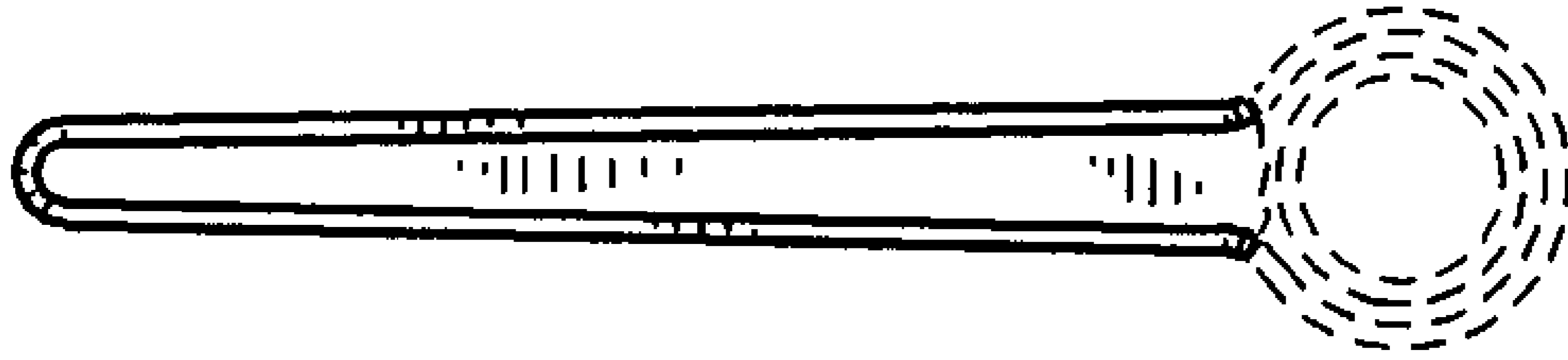


FIG. 5

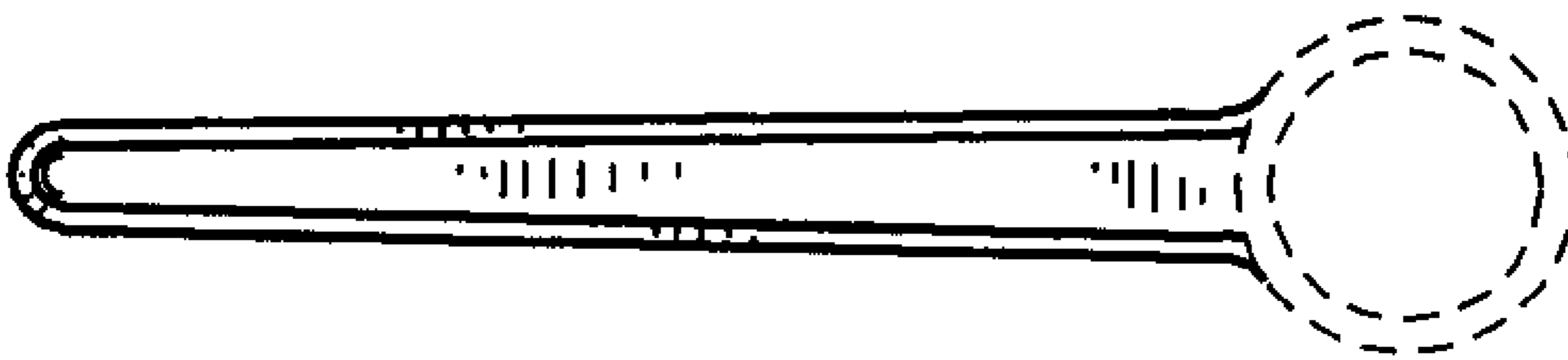


FIG. 6