



US00D579521S

(12) **United States Design Patent**  
**Kulig**

(10) **Patent No.:** **US D579,521 S**  
(45) **Date of Patent:** **\*\* Oct. 28, 2008**

(54) **FAUCET**

(75) Inventor: **Zbigniew Kulig**, Wadsworth, IL (US)

(73) Assignee: **Graff Faucets**, Milwaukee, WI (US)

(\*\*) Term: **14 Years**

(21) Appl. No.: **29/302,680**

(22) Filed: **Jan. 22, 2008**

(51) **LOC (8) Cl.** ..... **23-01**

(52) **U.S. Cl.** ..... **D23/238**

(58) **Field of Classification Search** ..... D23/200,  
D23/235, 238-257; D6/512, 546, 550; D8/300,  
D8/307-308, 310-312, 321; 4/675-678;  
137/801; 16/110.1, 441  
See application file for complete search history.

(56) **References Cited**

**U.S. PATENT DOCUMENTS**

D320,259 S *	9/1991	Delepine	.....	D23/238
D330,935 S *	11/1992	Delepine	.....	D23/238
D367,919 S *	3/1996	Lobermeier	.....	D23/238
D389,897 S *	1/1998	Delker	.....	D23/238
D420,430 S *	2/2000	Lobermeier	.....	D23/238
D441,429 S *	5/2001	Mullenmeister	.....	D23/238
D479,581 S *	9/2003	Haug et al.	.....	D23/238
D517,169 S	3/2006	Ogata et al.		
D517,653 S *	3/2006	Ito	.....	D23/238
D531,699 S *	11/2006	Haug et al.	.....	D23/238
D534,619 S *	1/2007	Garner	.....	D23/238
D538,894 S	3/2007	Hoernig		

D540,912 S	4/2007	Qing		
D541,382 S	4/2007	Hoernig		
D541,906 S	5/2007	Qing		
D547,831 S	7/2007	Williams et al.		
D548,308 S	8/2007	Hoernig		
D556,863 S *	12/2007	Demmer et al.	.....	D23/235

\* cited by examiner

*Primary Examiner*—Loius Zarfaz

*Assistant Examiner*—Mark Cavanna

(74) *Attorney, Agent, or Firm*—Boyle Fredrickson S.C.

(57) **CLAIM**

The ornamental design for a faucet, as shown and described.

**DESCRIPTION**

FIG. 1 is perspective view of a faucet incorporating my new design, viewed from in front of, above, and from the left side of the faucet;

FIG. 2 is a front elevation view thereof;

FIG. 3 is a rear elevation view thereof;

FIG. 4 is a top plan view thereof;

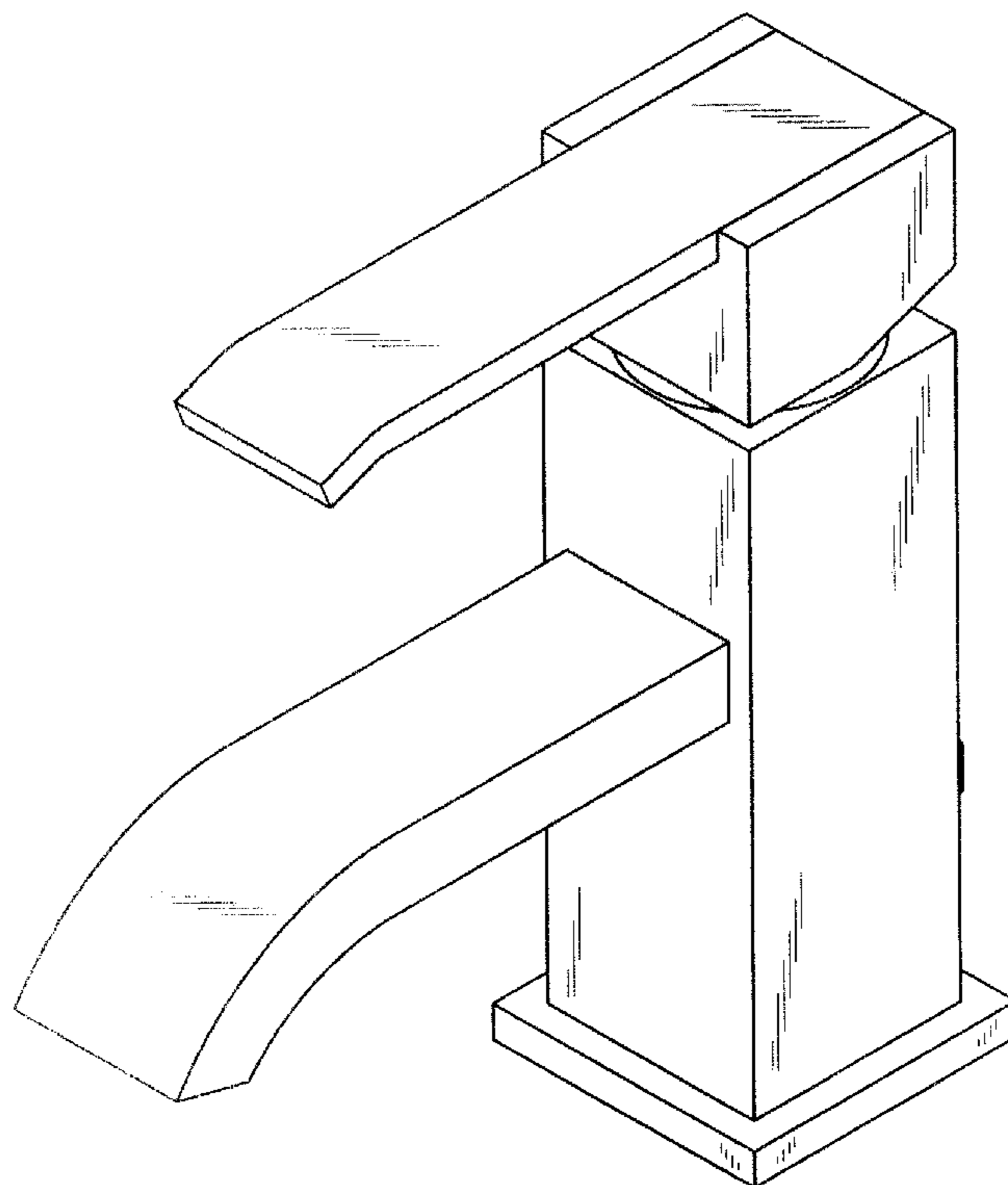
FIG. 5 is a bottom plan view thereof;

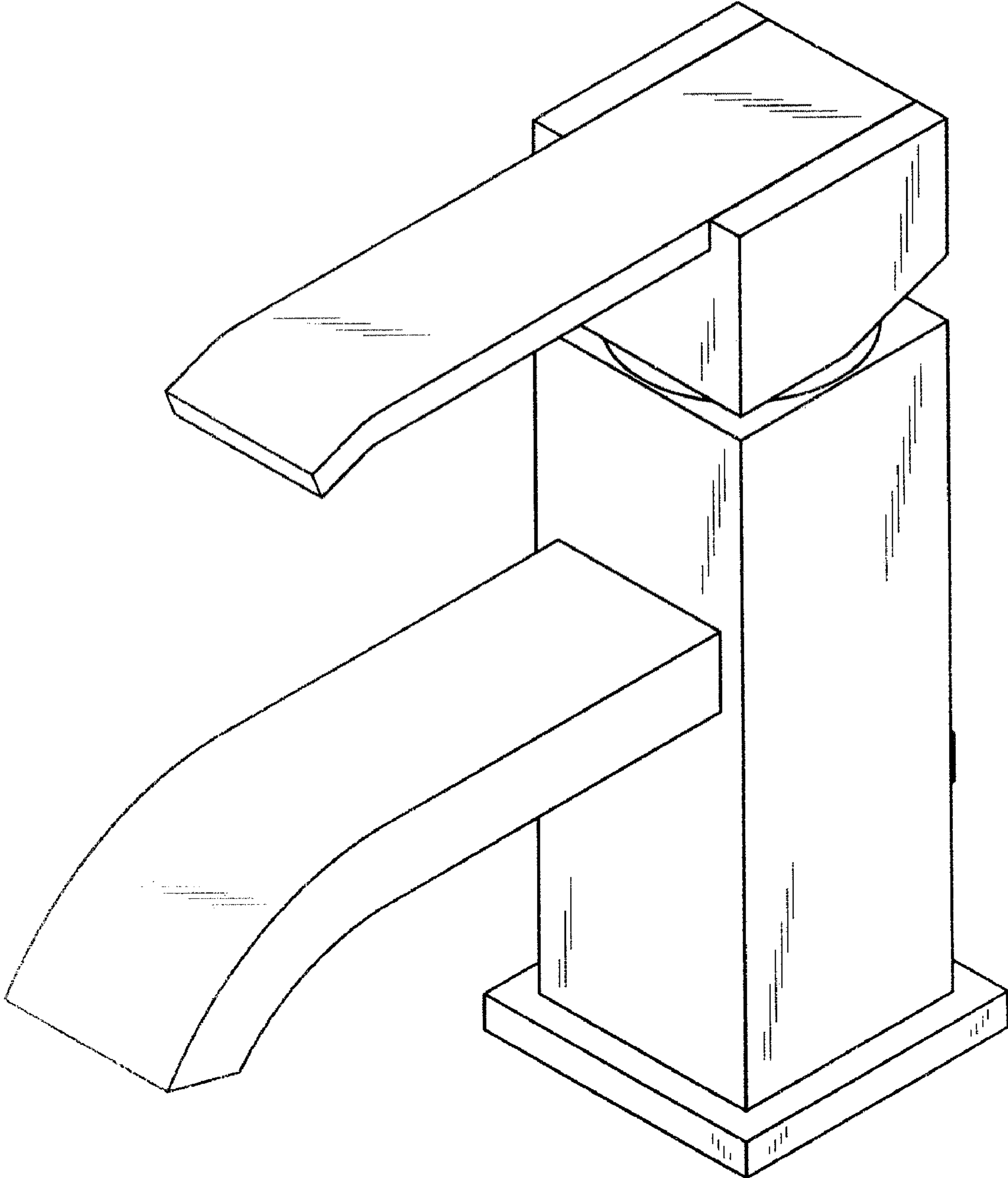
FIG. 6 is a left-side elevation view thereof; and,

FIG. 7 is a right-side elevation view thereof.

The broken lines in figures are included for the purpose of illustrating portions of the faucet that form no part of the claimed design.

**1 Claim, 7 Drawing Sheets**





**FIG. 1**

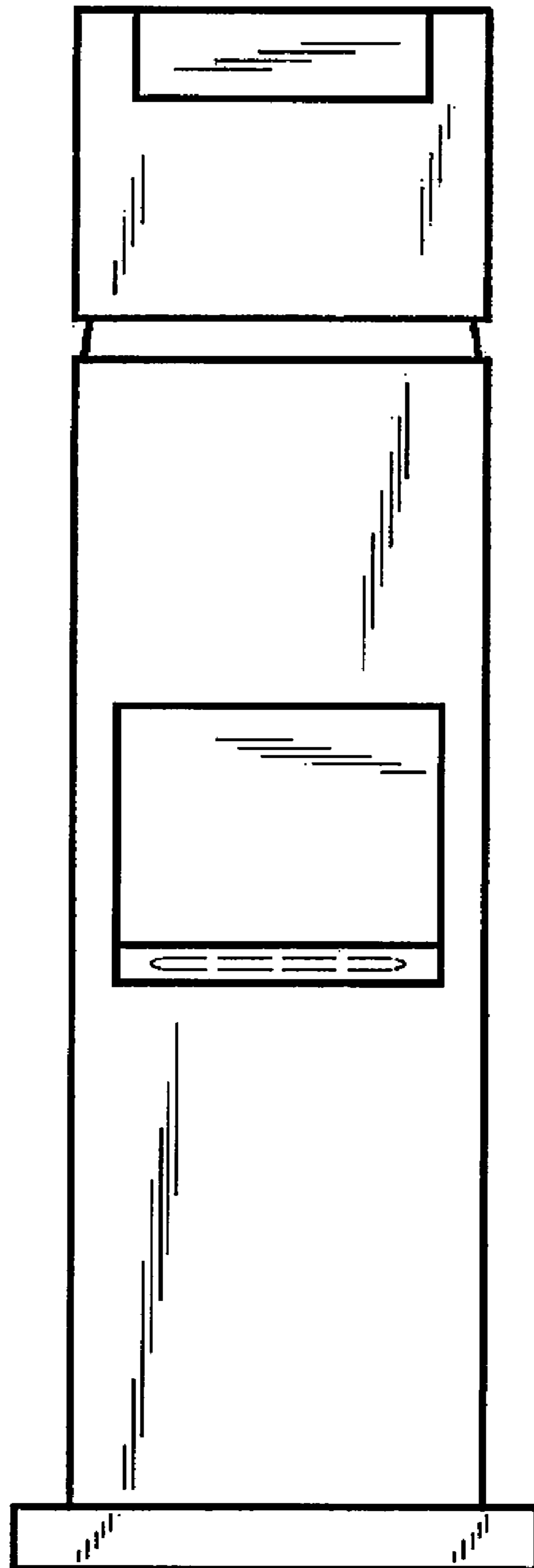
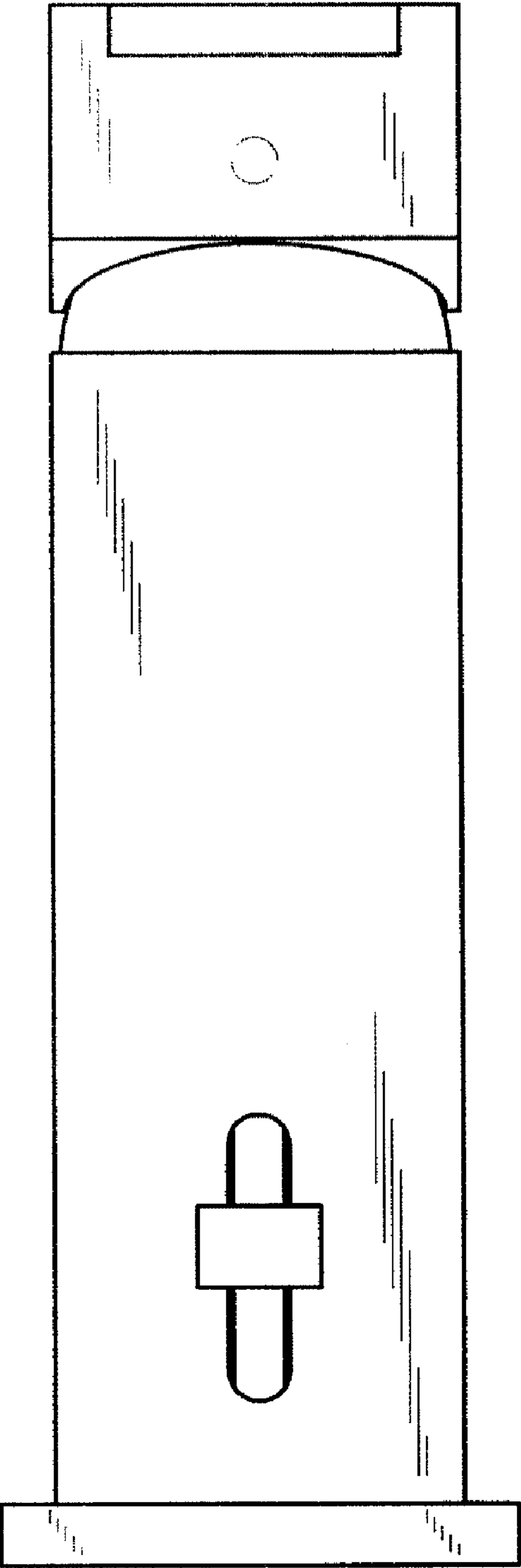
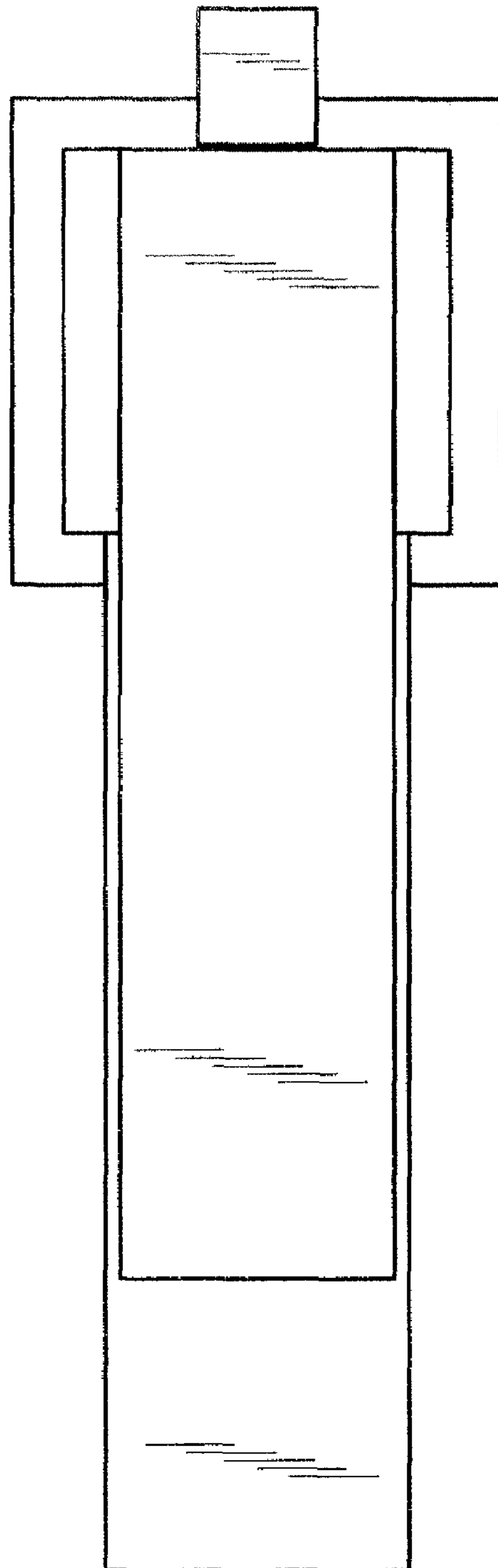


FIG. 2



**FIG. 3**



**FIG. 4**

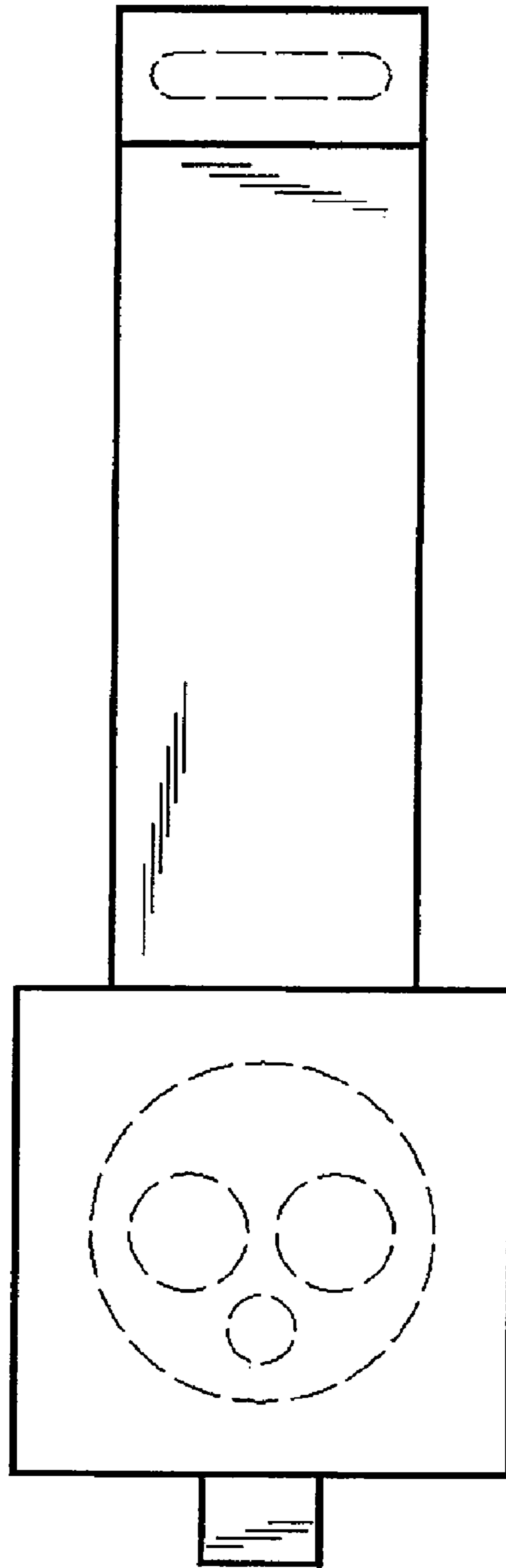
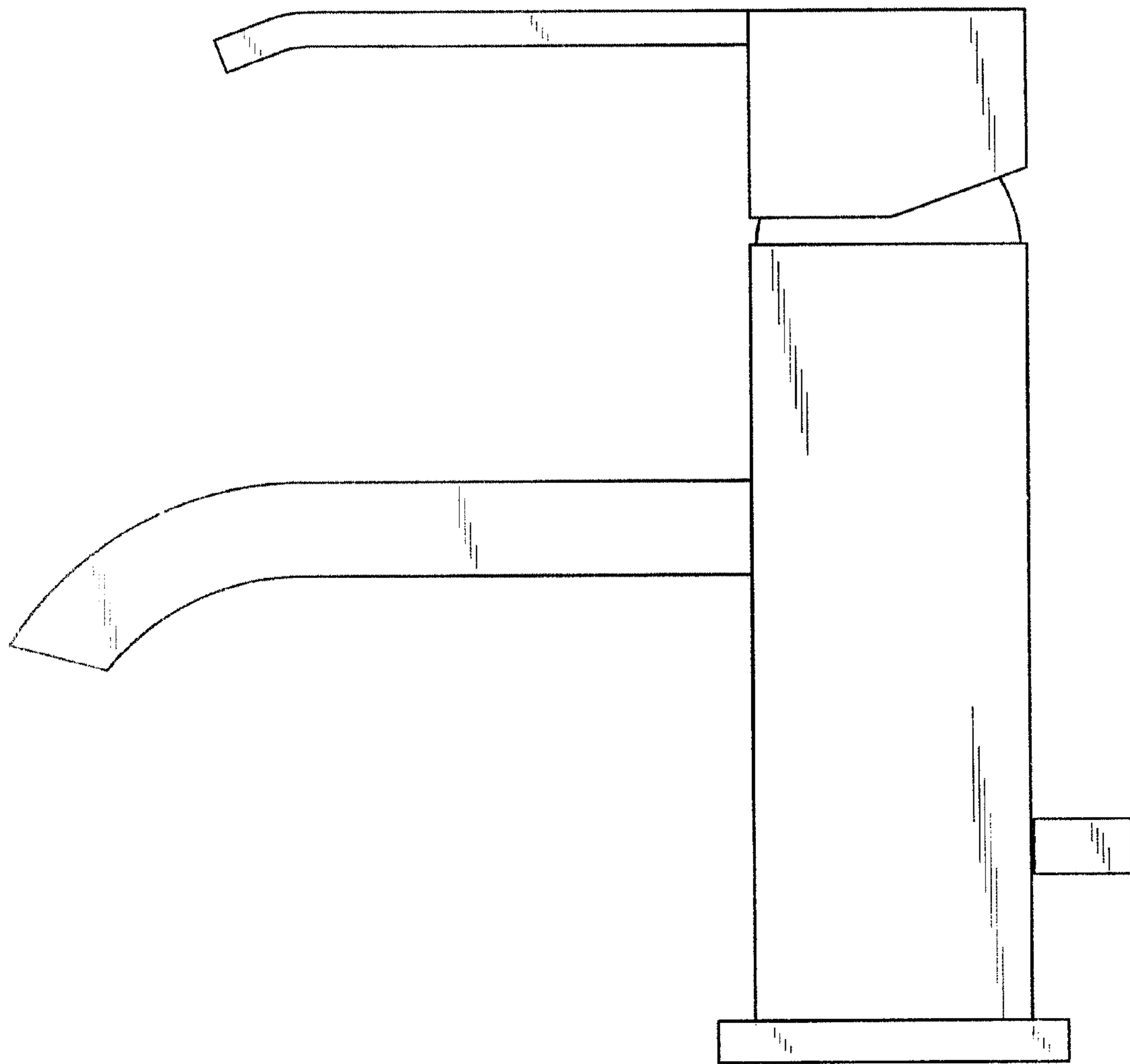
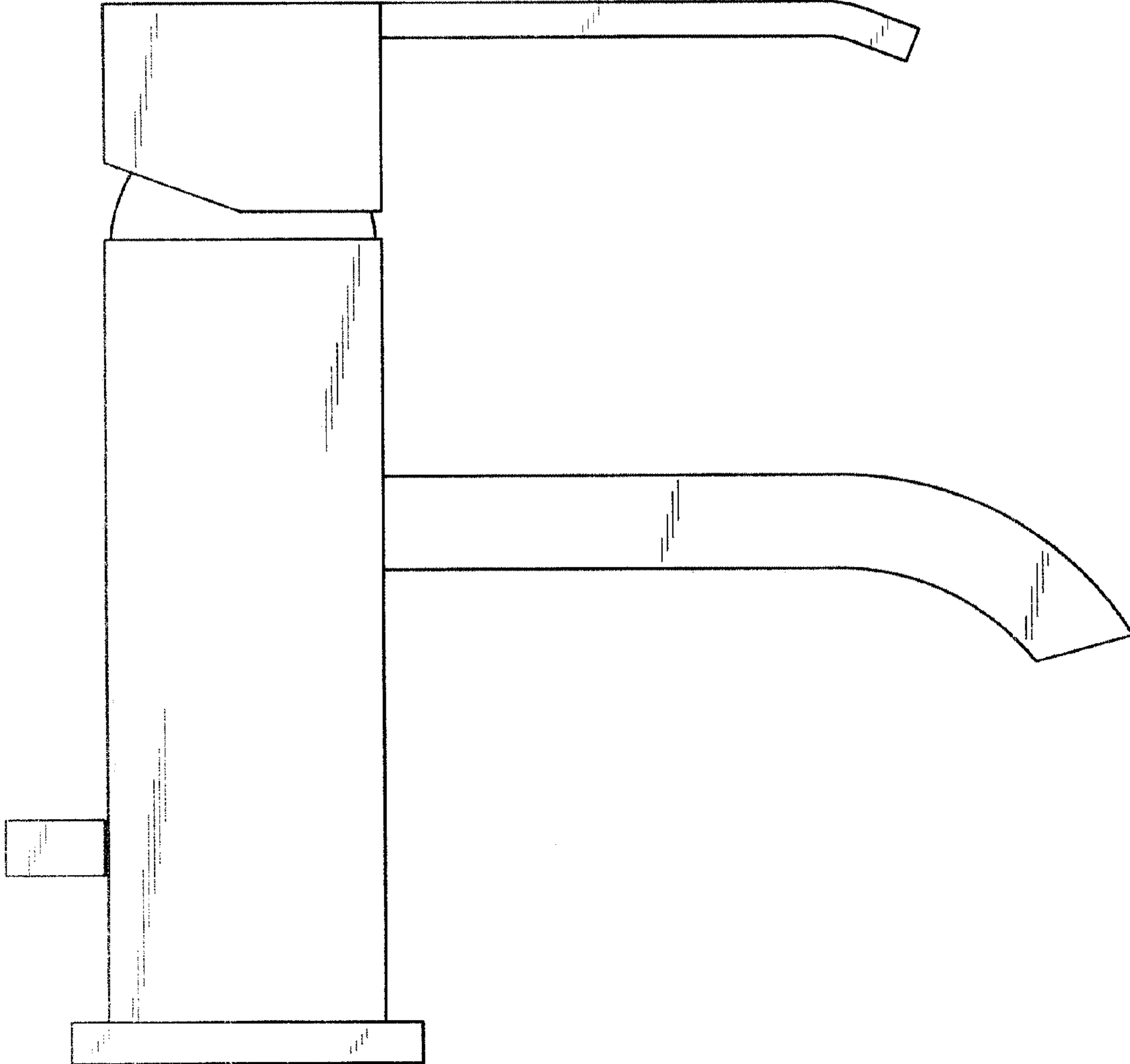


FIG. 5



**FIG. 6**



**FIG. 7**