



US00D579518S

(12) **United States Design Patent**
Shieh

(10) **Patent No.:** **US D579,518 S**

(45) **Date of Patent:** **** Oct. 28, 2008**

(54) **SHOWER HEAD**

D539,385 S * 3/2007 Dempsey et al. D23/213
D544,944 S * 6/2007 Li D23/213

(75) Inventor: **Ming-Dang Shieh**, Chang Hua Hsien
(TW)

* cited by examiner

(73) Assignee: **Horng Lai Industrial Co., Ltd.**, Chang
Hua Hsien (TW)

Primary Examiner—Robin V Webster
(74) *Attorney, Agent, or Firm*—Alan Kamrath; Kamrath &
Associates PA

(**) Term: **14 Years**

(57) **CLAIM**

(21) Appl. No.: **29/298,050**

The ornamental design for a shower head, as shown and
described.

(22) Filed: **Nov. 28, 2007**

(51) **LOC (8) Cl.** **23-01**

(52) **U.S. Cl.** **D23/229**

(58) **Field of Classification Search** D23/213,
D23/229, 230; 239/282–283, 432
See application file for complete search history.

DESCRIPTION

FIG. 1 is a perspective view of a shower head showing my
design;

FIG. 2 is a front view thereof;

FIG. 3 is a rear view thereof;

FIG. 4 is a left side view thereof;

FIG. 5 is a right side view thereof;

FIG. 6 is a top plan view thereof; and,

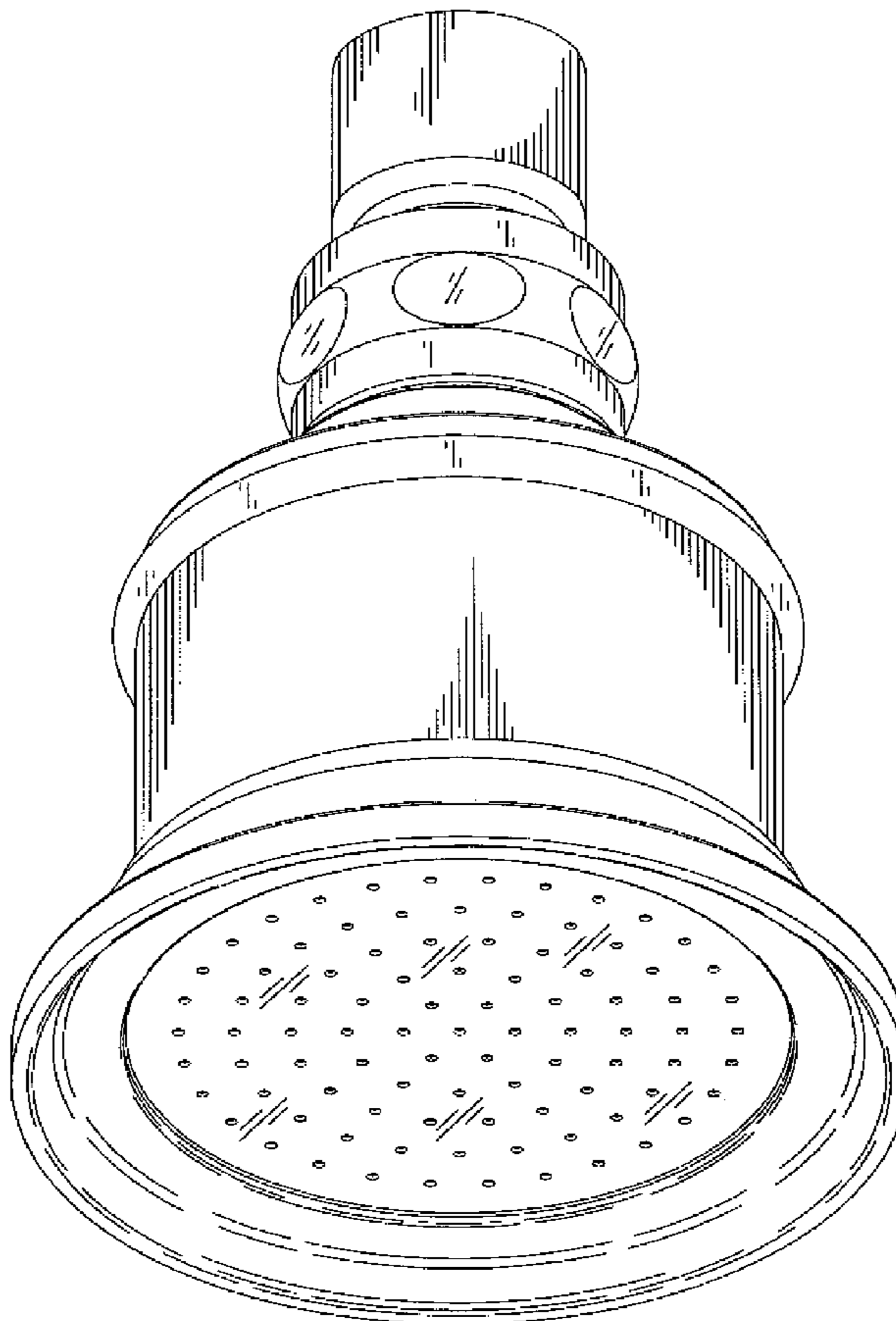
FIG. 7 is a bottom plan view thereof.

(56) **References Cited**

U.S. PATENT DOCUMENTS

D503,462 S * 3/2005 Ouyoung D23/229
D510,409 S * 10/2005 Xiang et al. D23/229
6,991,178 B2 * 1/2006 Nolte et al. 239/7
7,036,750 B2 * 5/2006 Krumma et al. 239/296
D534,242 S * 12/2006 Bailey et al. D23/229

1 Claim, 4 Drawing Sheets



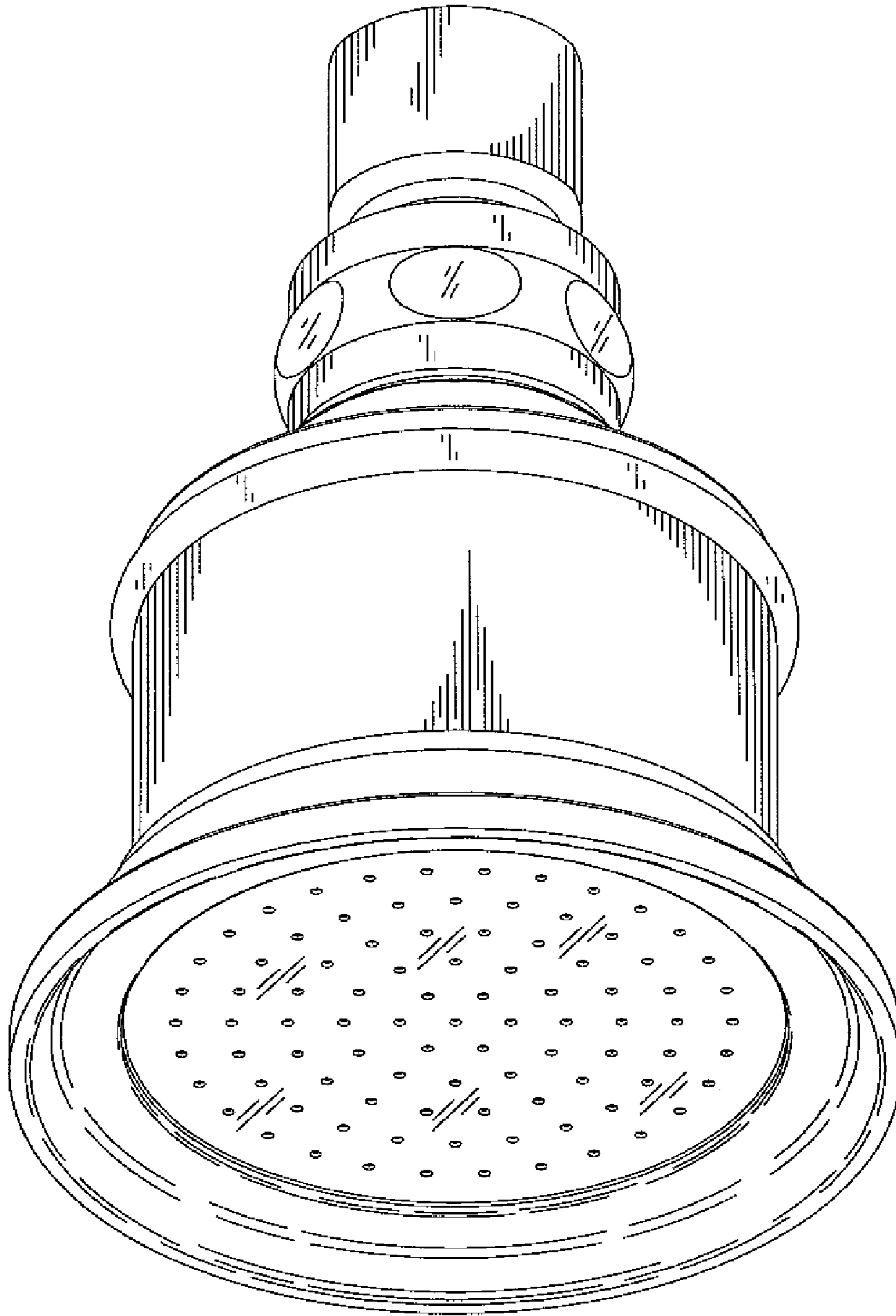


FIG. 1

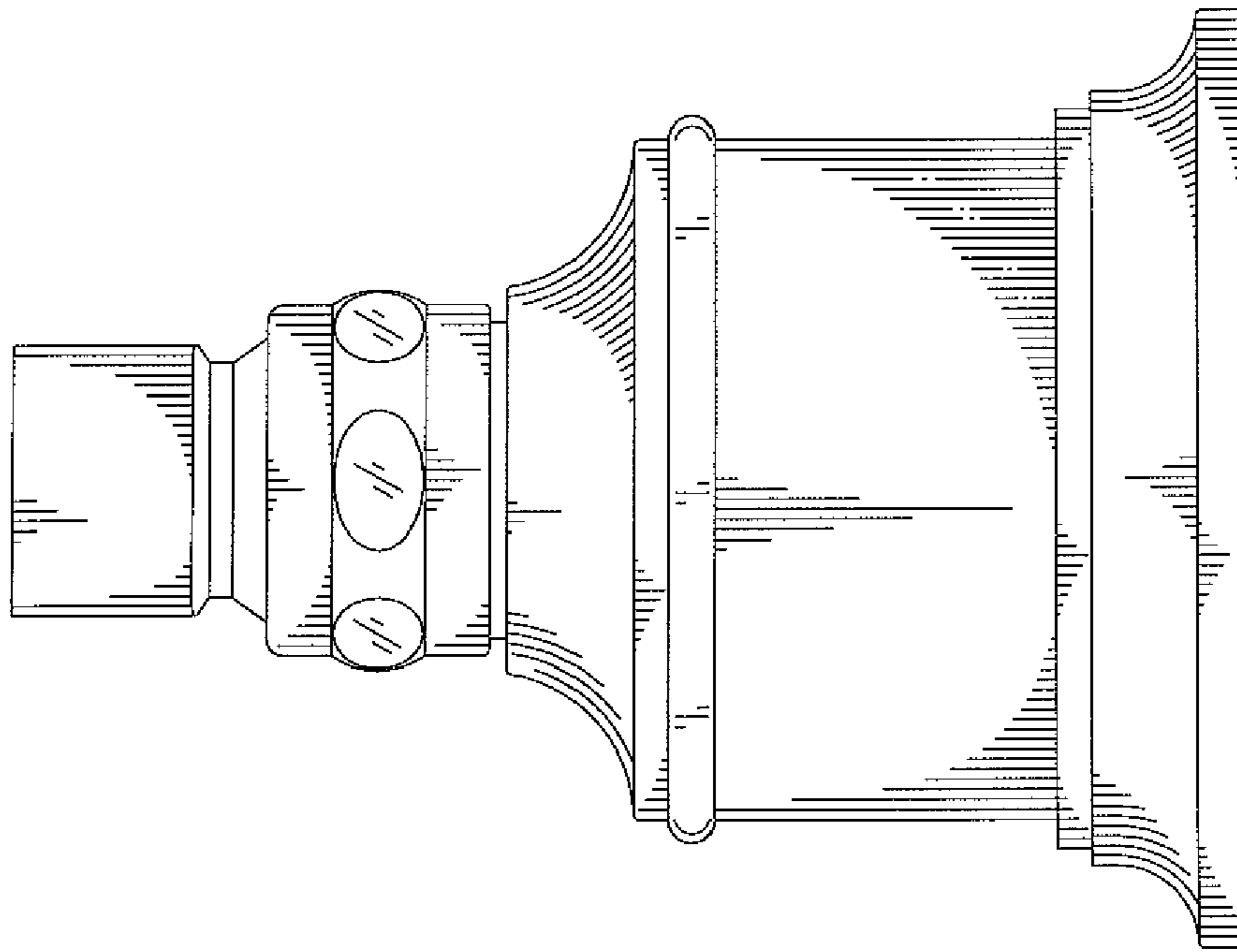


FIG. 2

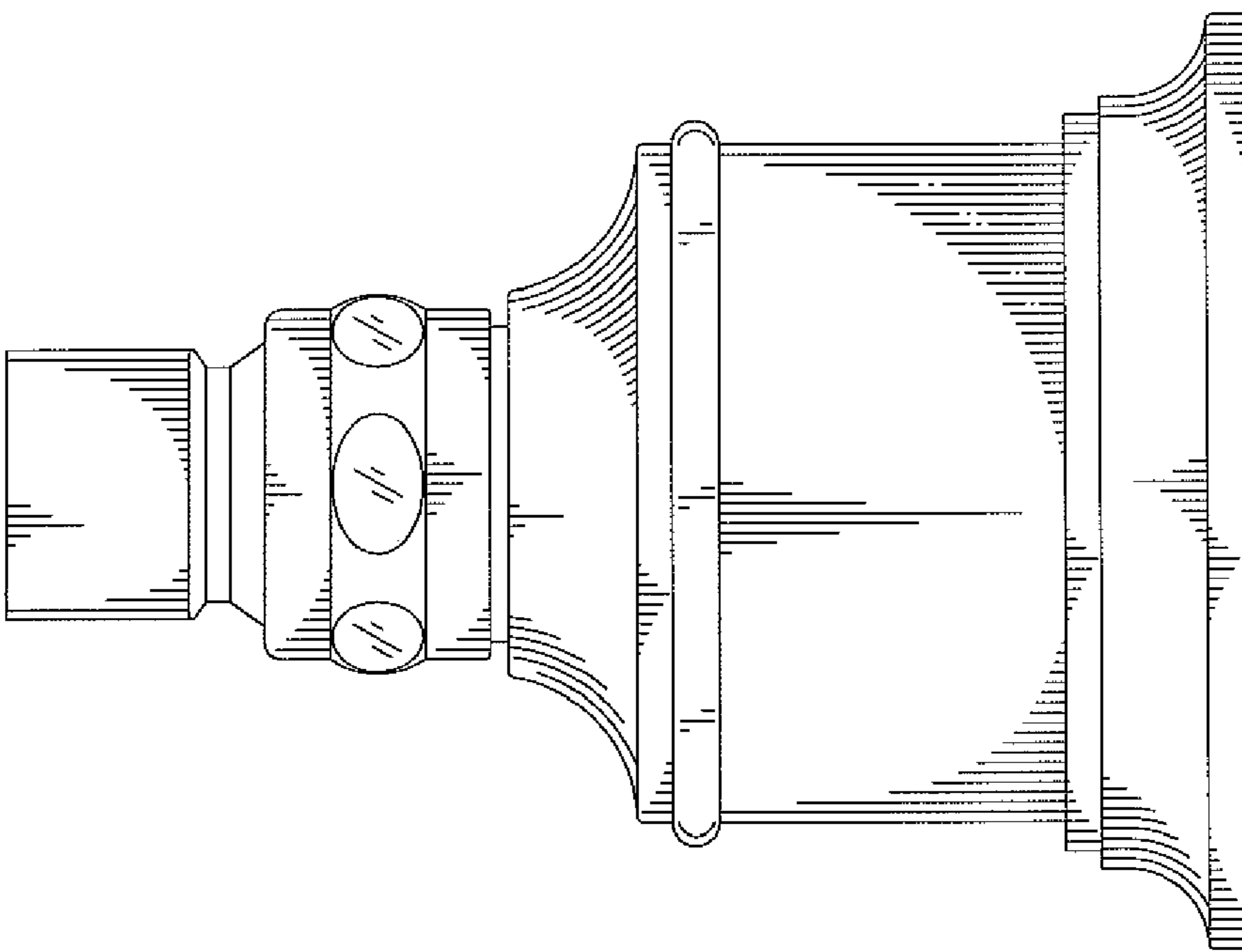


FIG. 3

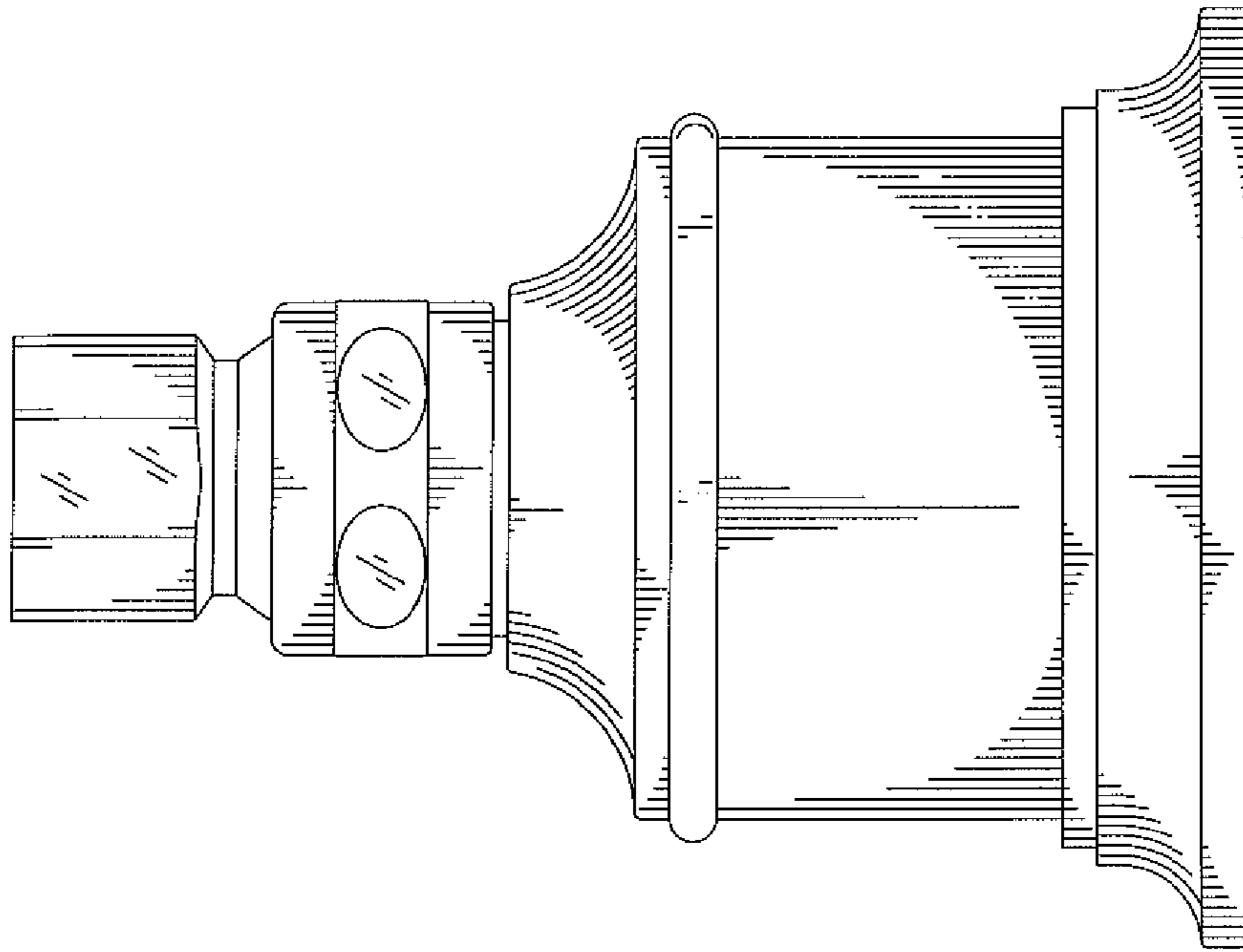


FIG. 4

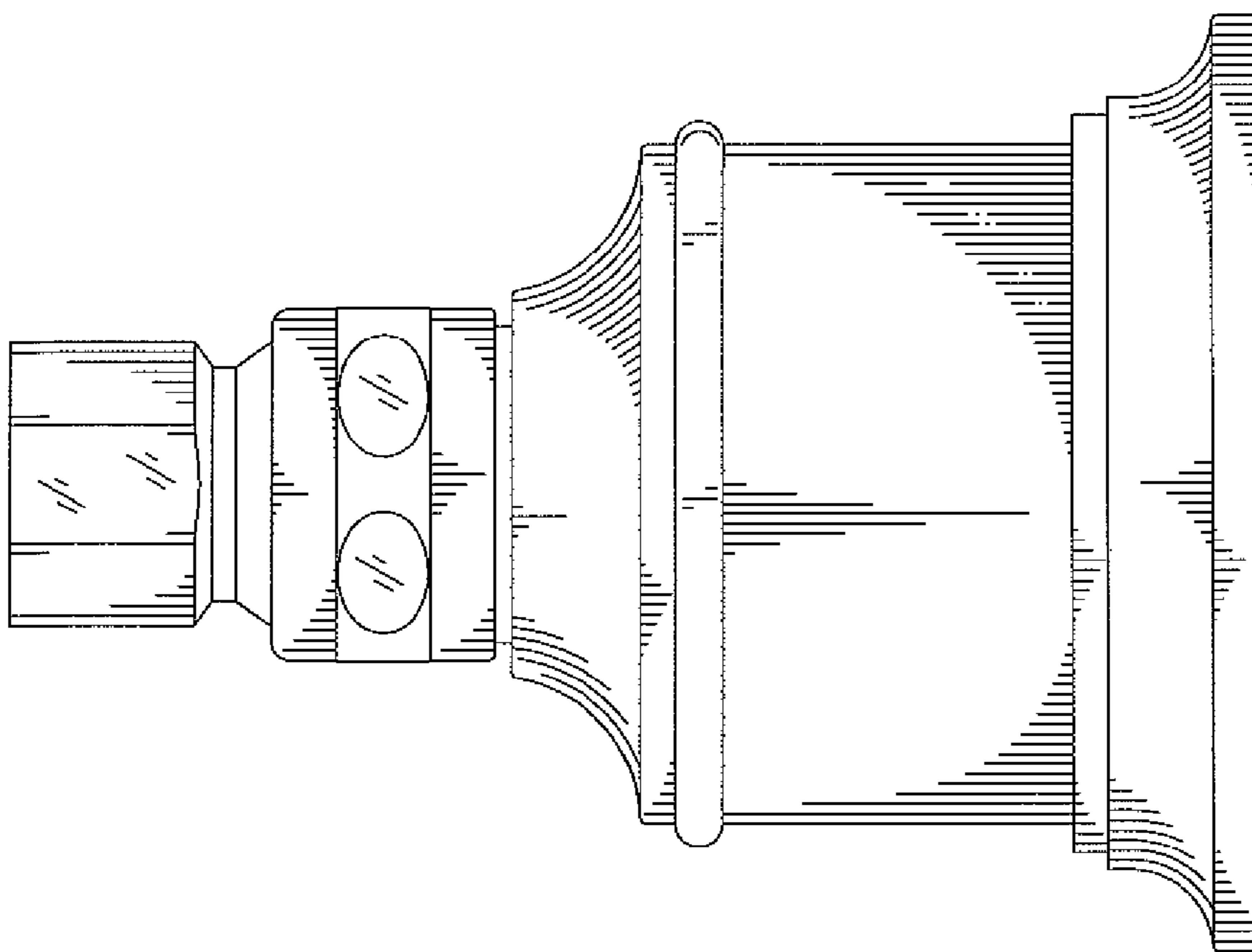


FIG. 5

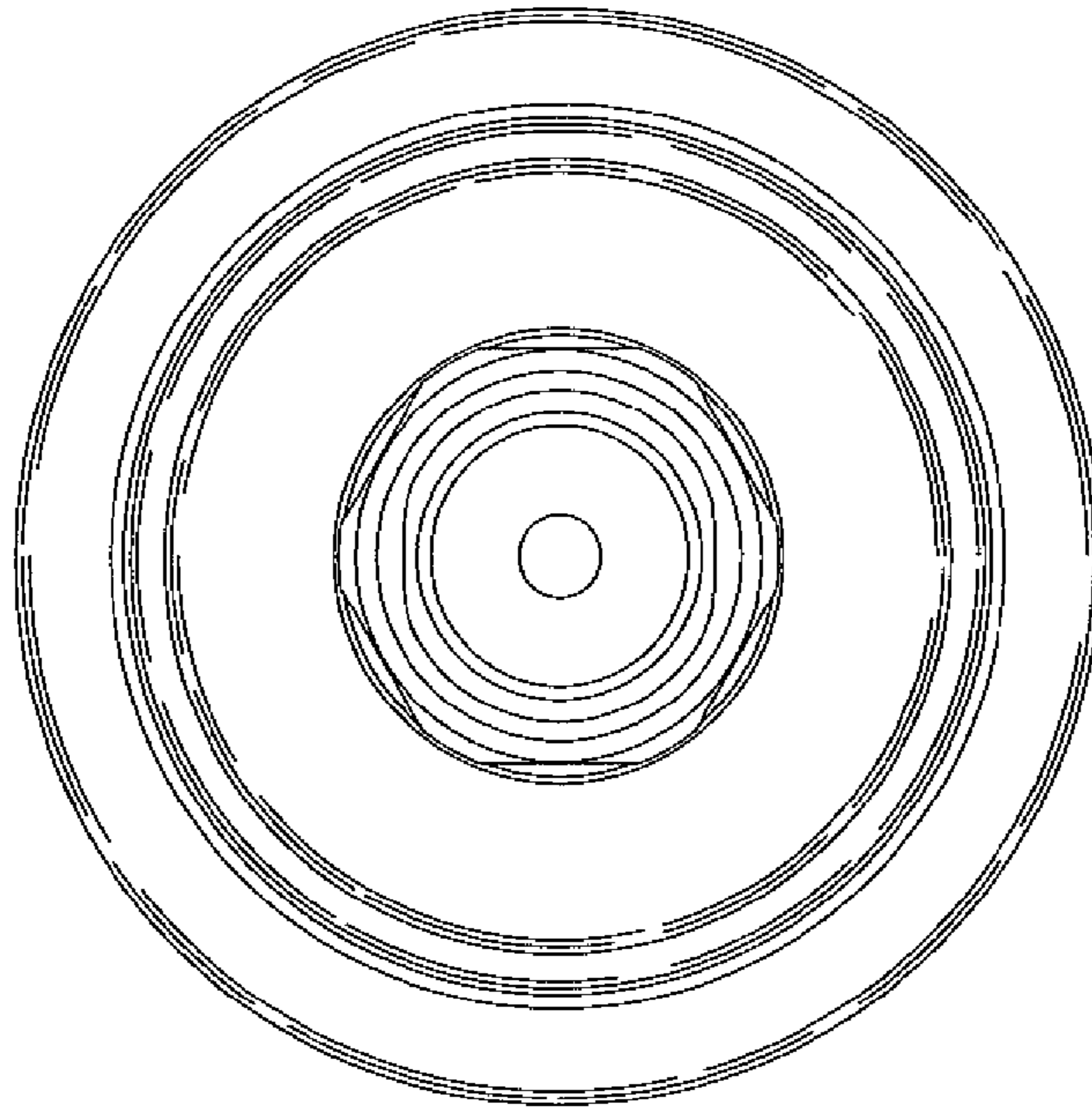


FIG. 6

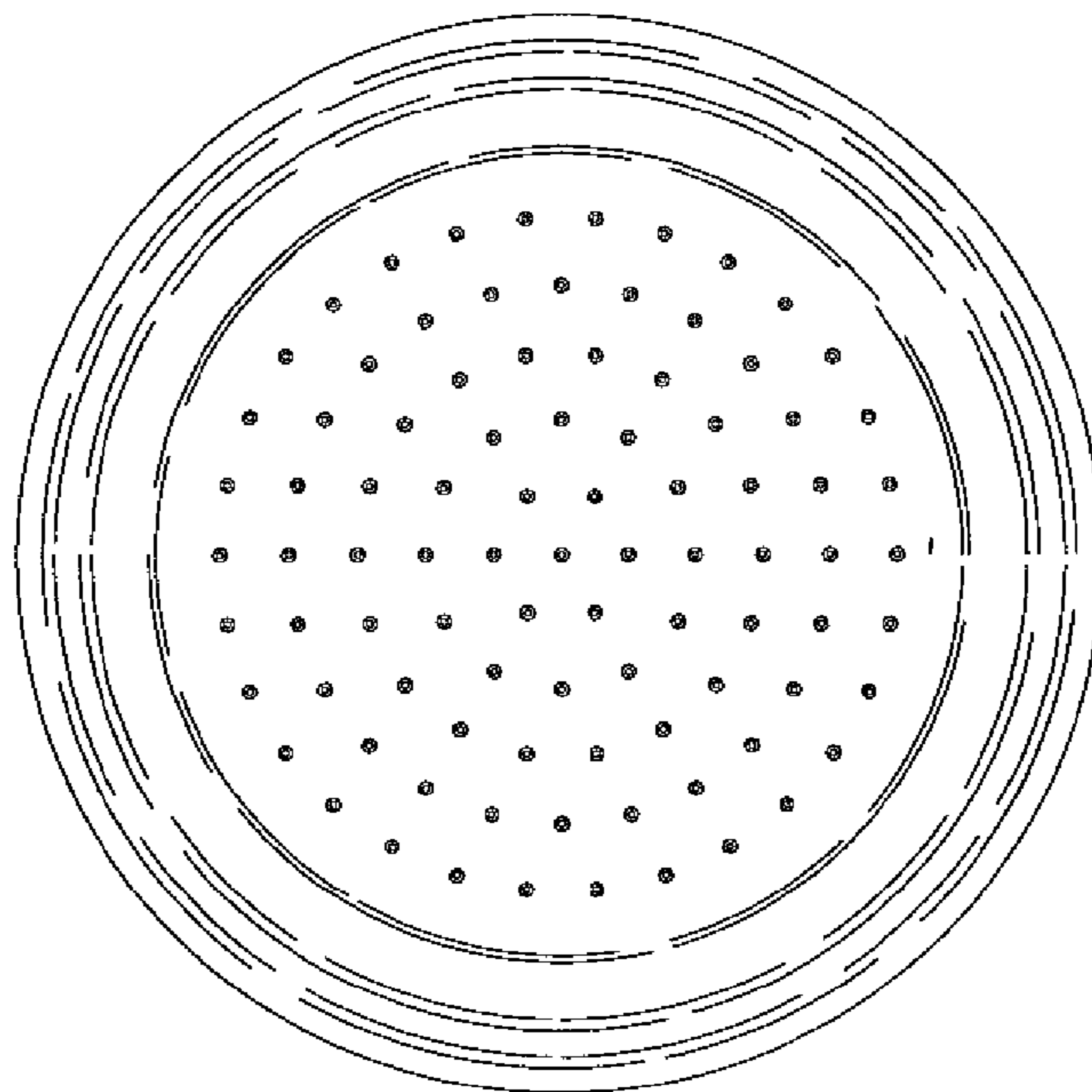


FIG. 7