



US00D579517S

(12) **United States Design Patent**
Corbett

(10) **Patent No.:** **US D579,517 S**
(45) **Date of Patent:** **** Oct. 28, 2008**

(54) **HAND SHOWER**

(75) Inventor: **Jessina Corbett**, Floyds Knobs, IN (US)

(73) Assignee: **Masco Corporation of Indiana**,
Indianapolis, IN (US)

(**) Term: **14 Years**

(21) Appl. No.: **29/303,491**

(22) Filed: **Feb. 11, 2008**

(51) **LOC (8) Cl.** **23-01**

(52) **U.S. Cl.** **D23/223**

(58) **Field of Classification Search** D23/213,
D23/223, 226, 229-30; 239/394, 526, 462
See application file for complete search history.

(56) **References Cited**

U.S. PATENT DOCUMENTS

- D457,937 S * 5/2002 Lindholm et al. D23/223
- D545,941 S * 7/2007 Li D23/223
- D546,918 S * 7/2007 Hoernig D23/223

D565,702 S * 4/2008 Daunter et al. D23/223

* cited by examiner

Primary Examiner—Robin V Webster

(74) *Attorney, Agent, or Firm*—Leon E. Redman; Lloyd D. Doigan

(57) **CLAIM**

The ornamental design for a hand shower, as shown and described.

DESCRIPTION

FIG. 1 is a front perspective view of a hand shower showing my design;

FIG. 2 is a left side elevational view thereof; the right side elevational view being a mirror image thereof;

FIG. 3 is a front elevational view thereof;

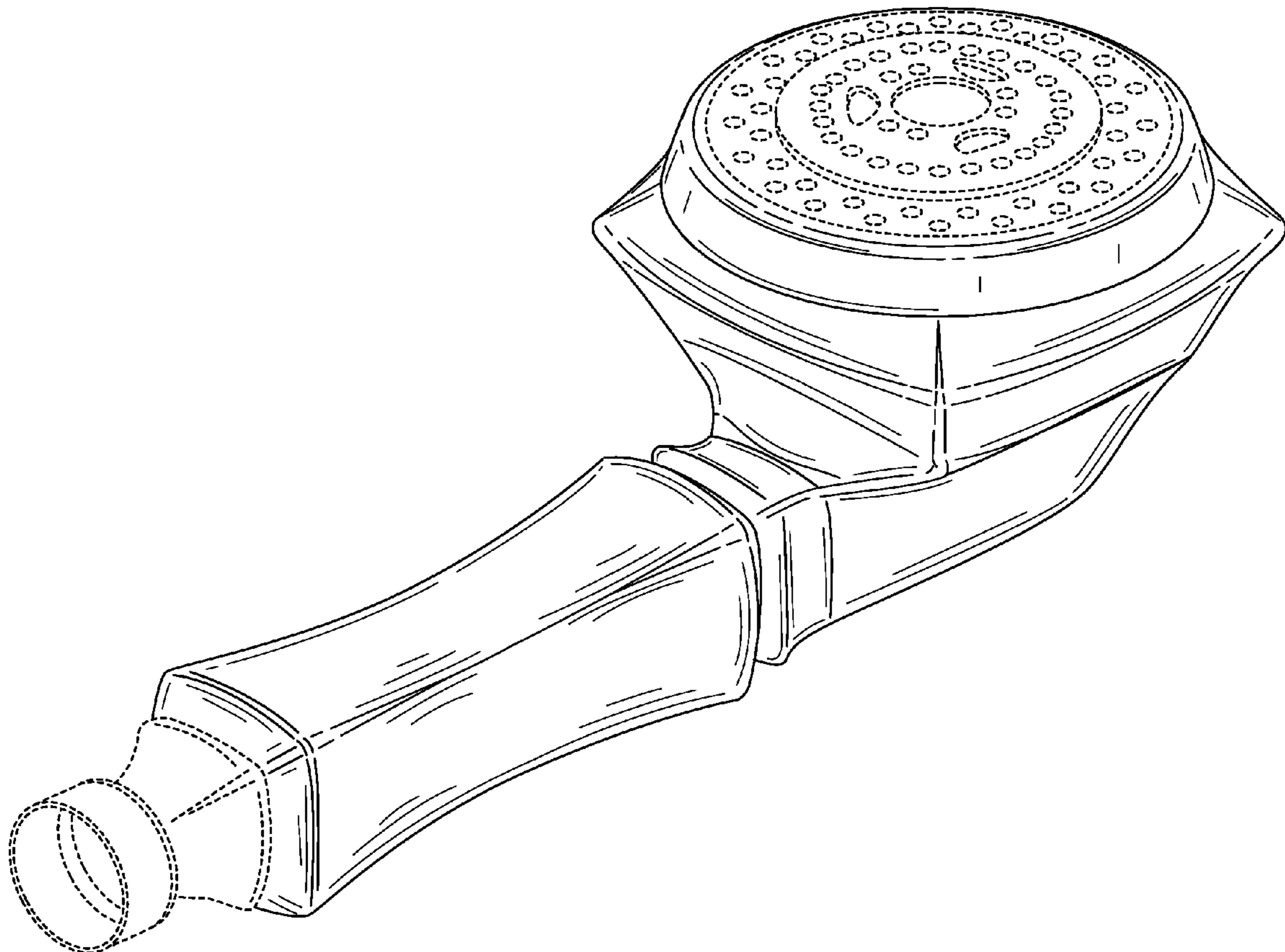
FIG. 4 is a rear elevational view thereof;

FIG. 5 is a bottom plan view thereof; and,

FIG. 6 is a top plan view thereof.

The broken lines in the Figures are for illustrative purposes only and form no part of the claimed design.

1 Claim, 5 Drawing Sheets



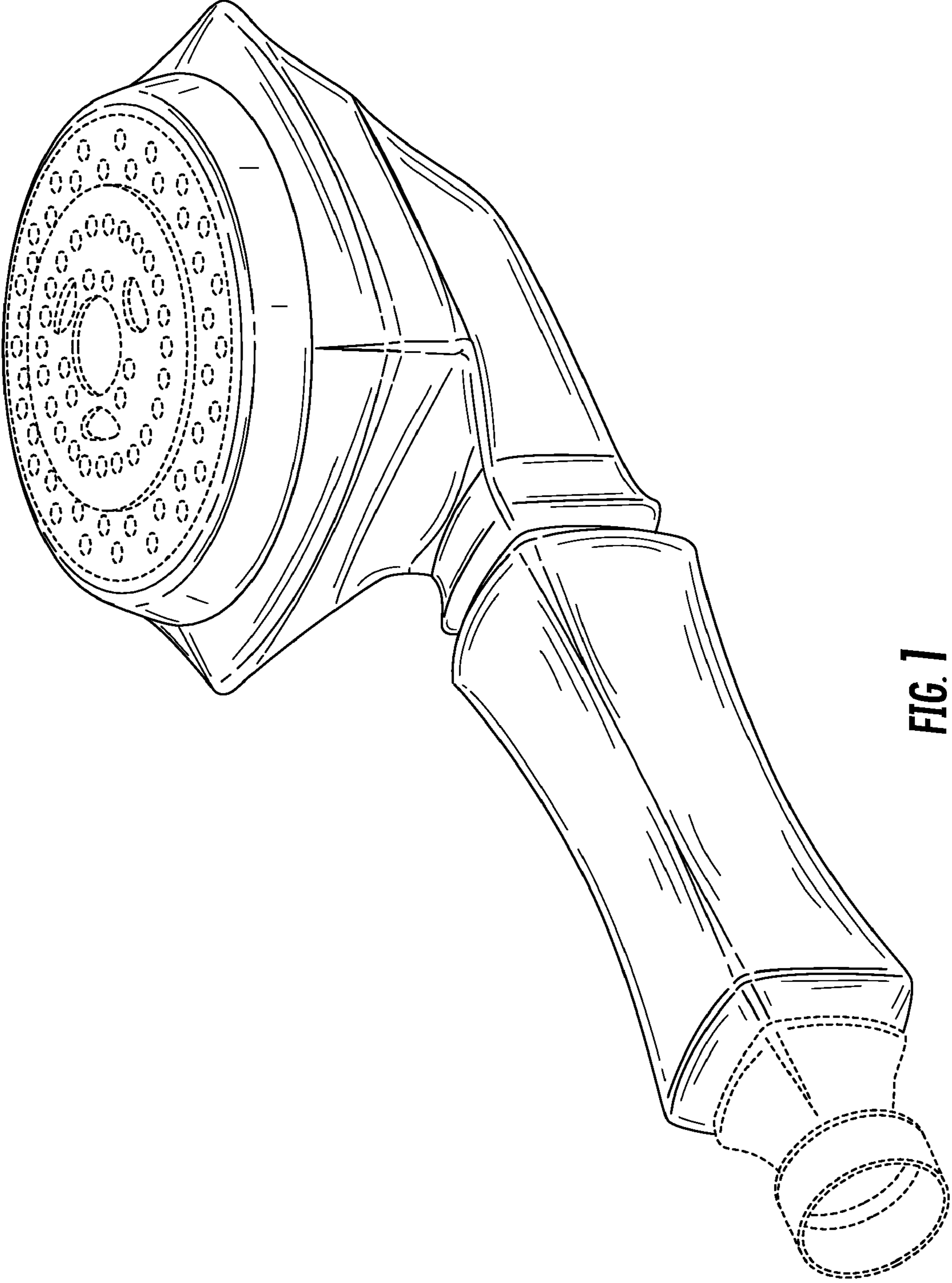


FIG. 1

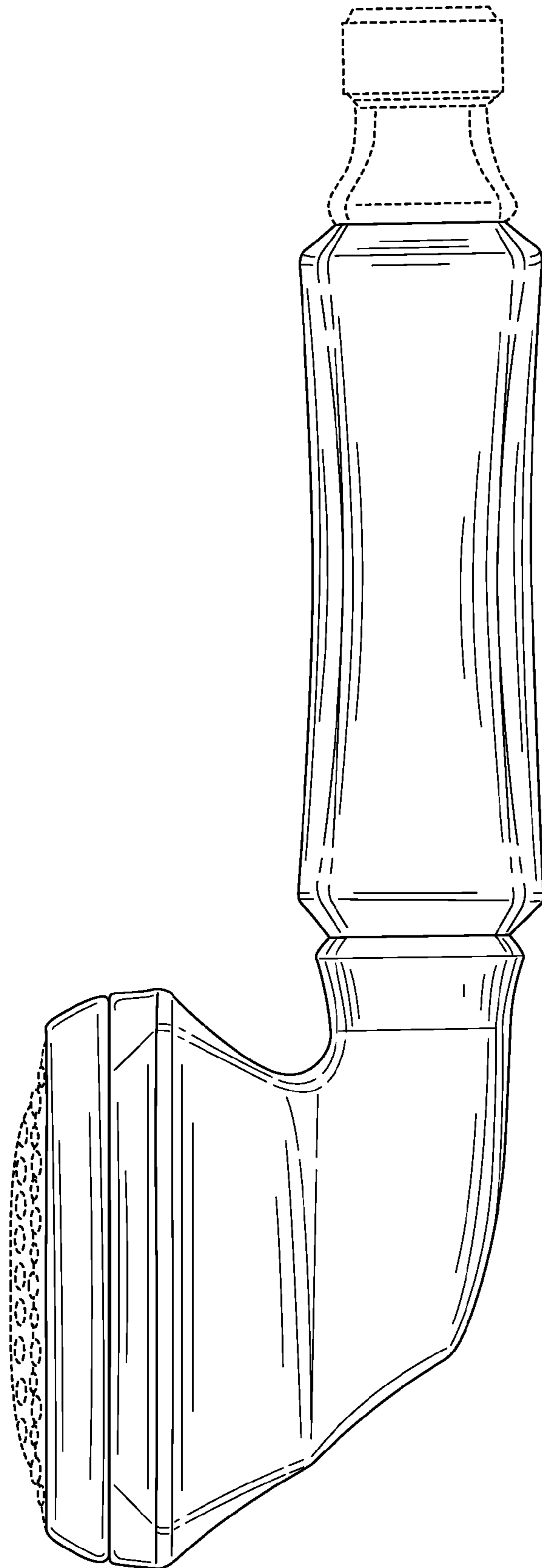


FIG. 2

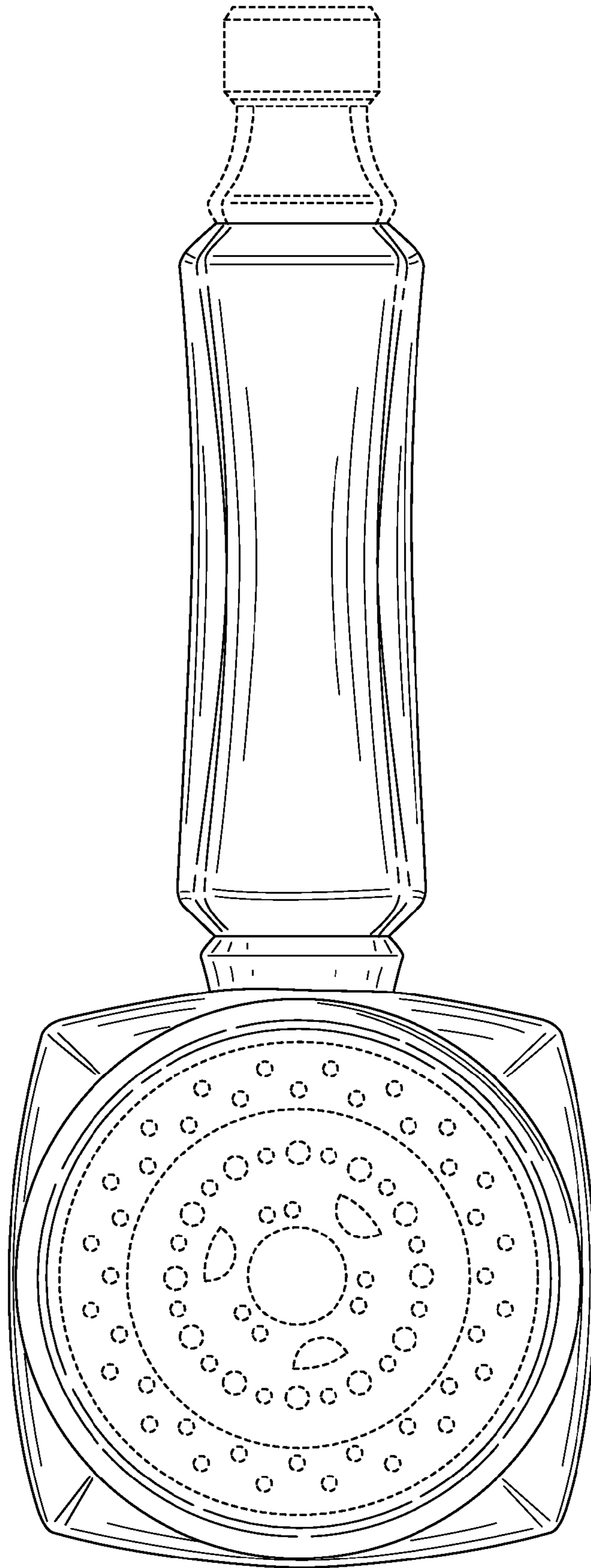


FIG. 3

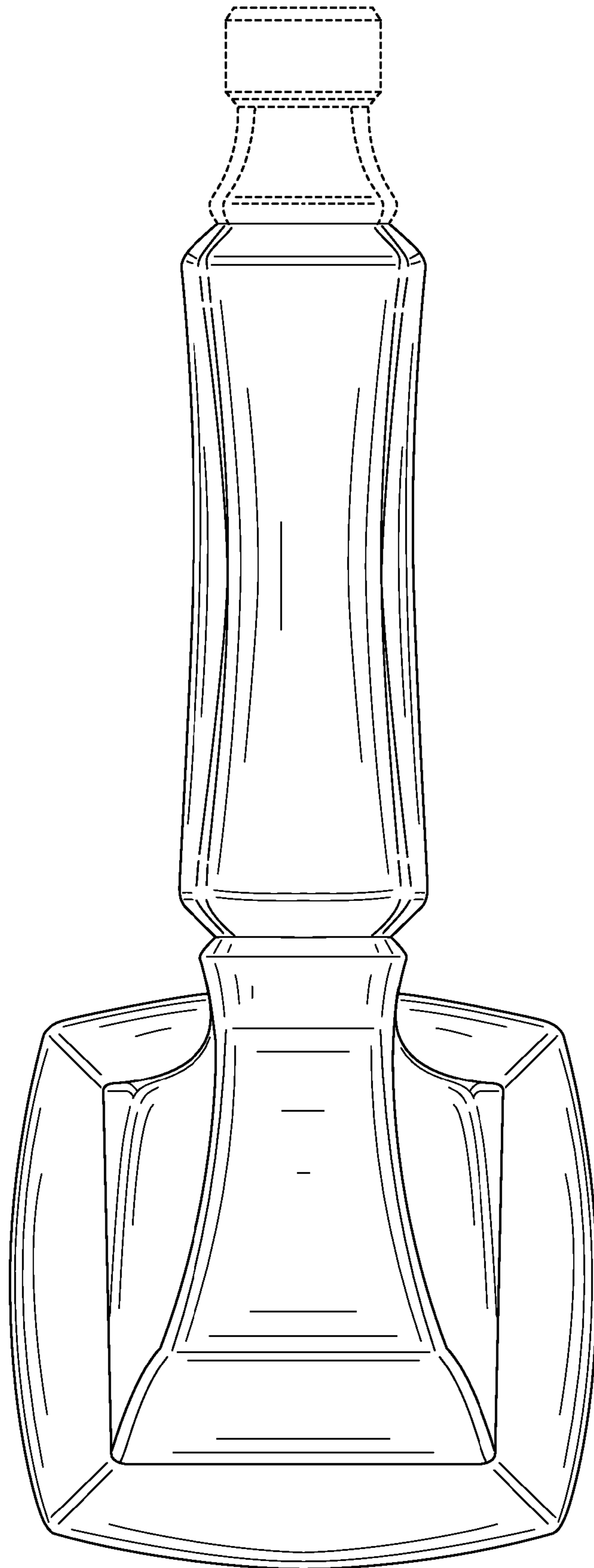


FIG. 4

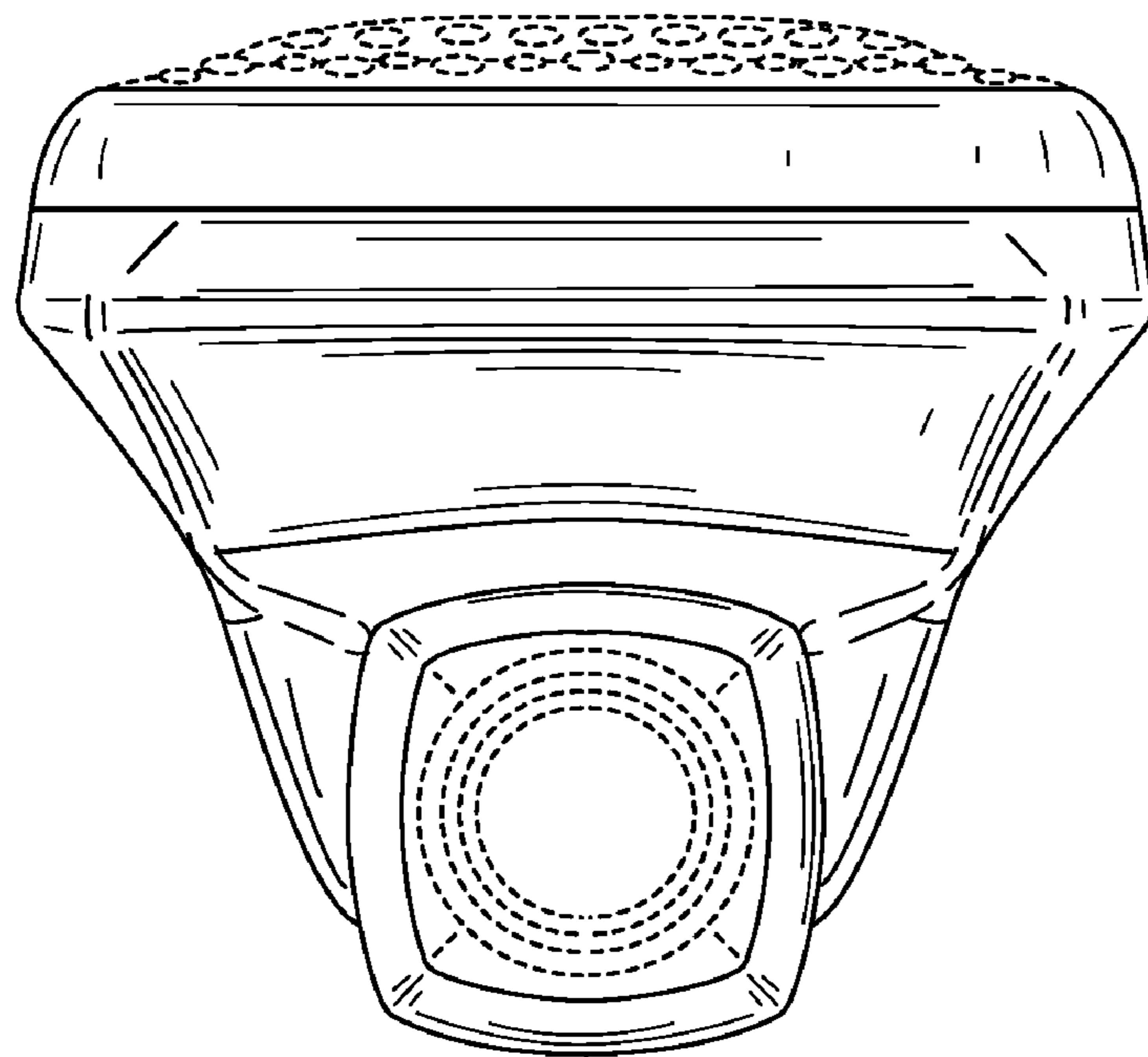


FIG. 5

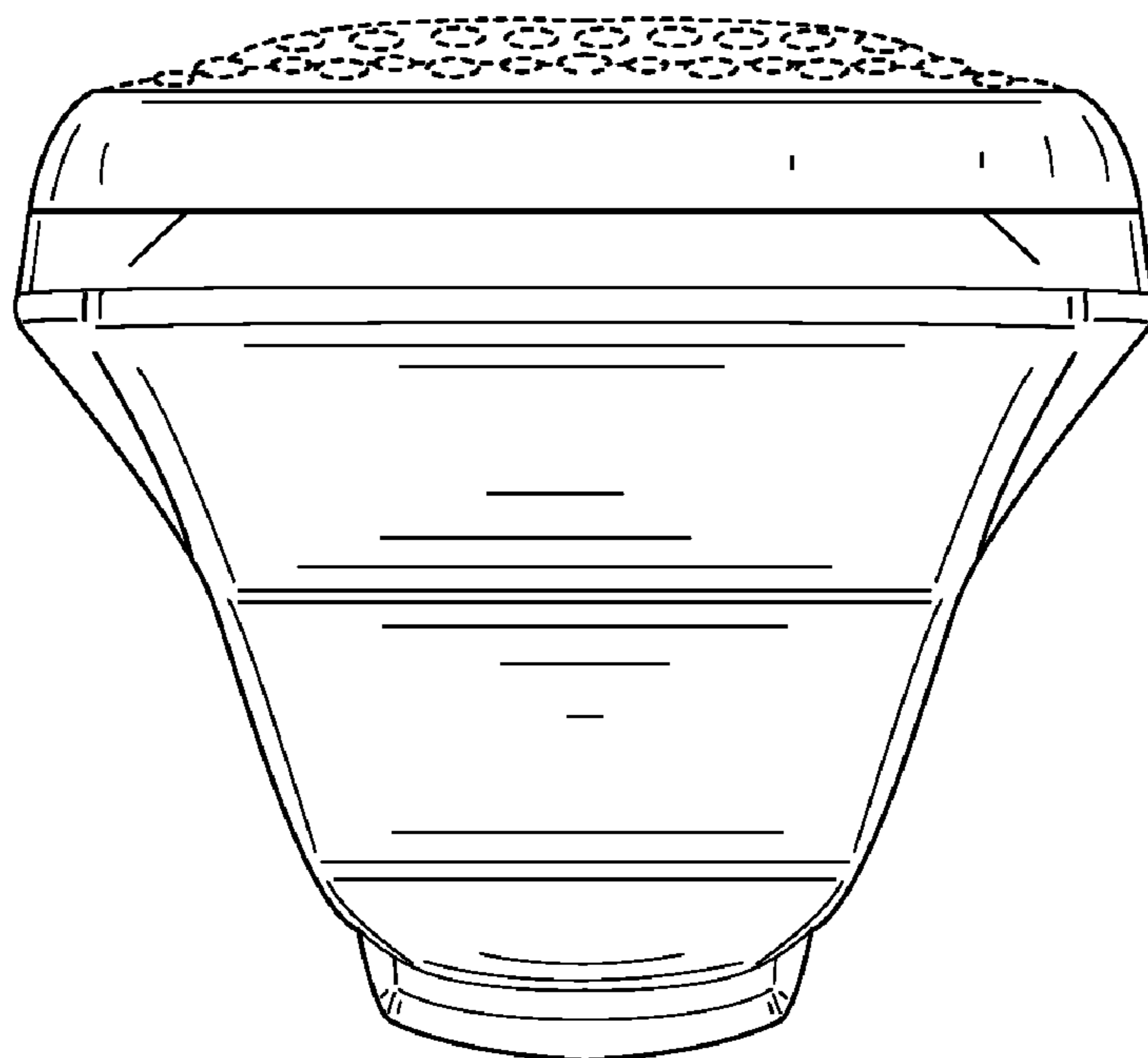


FIG. 6