



US00D579515S

(12) **United States Design Patent**
Bell et al.

(10) **Patent No.:** **US D579,515 S**
(45) **Date of Patent:** **** Oct. 28, 2008**

(54) **WATER FILTER**

(75) Inventors: **Russell E. Bell**, Pleasanton, CA (US);
Jeehyang Kim, San Francisco, CA (US);
Sharon Olsen, Stockton, CA (US);
Kaitlin Olsen, Pasadena, CA (US)

(73) Assignee: **The Clorox Company**, Oakland, CA (US)

(**) Term: **14 Years**

(21) Appl. No.: **29/302,373**

(22) Filed: **Jan. 15, 2008**

(51) **LOC (8) Cl.** **23-01**

(52) **U.S. Cl.** **D23/209**

(58) **Field of Classification Search** D23/207,
D23/209; 210/464, 282

See application file for complete search history.

(56) **References Cited**

U.S. PATENT DOCUMENTS

4,895,648 A	1/1990	Hankammer
4,969,996 A	11/1990	Hankammer
D312,863 S	12/1990	Hankammer
4,995,310 A	2/1991	Van der Lijn et al.
5,049,272 A	9/1991	Nieweg
D320,640 S	10/1991	Goodwin
5,076,922 A	12/1991	DeAre
D370,711 S	6/1996	Serenko et al.
D372,069 S	7/1996	Brancazio
D374,911 S	10/1996	Kahana

5,637,214 A	6/1997	Kahana
D380,535 S *	7/1997	Joergensen D23/365
D388,154 S	12/1997	Pesa
5,811,004 A	9/1998	Robertson et al.
5,989,424 A	11/1999	Serenko et al.
6,042,725 A	3/2000	Serenko et al.
D435,084 S	12/2000	Northen et al.
6,238,552 B1	5/2001	Shannon
6,524,477 B1	2/2003	Hughes
6,638,426 B1 *	10/2003	Fritter et al. 210/266
D529,127 S	9/2006	Cueman
D548,307 S	8/2007	Reynolds et al.

* cited by examiner

Primary Examiner—Robin V Webster

(74) *Attorney, Agent, or Firm*—Thomas C. Feix

(57) **CLAIM**

The ornamental design for a water filter, as shown and described.

DESCRIPTION

FIG. 1 is a top perspective view of a water filter of the present invention;

FIG. 2 is top plan view thereof;

FIG. 3 is a bottom plan view thereof;

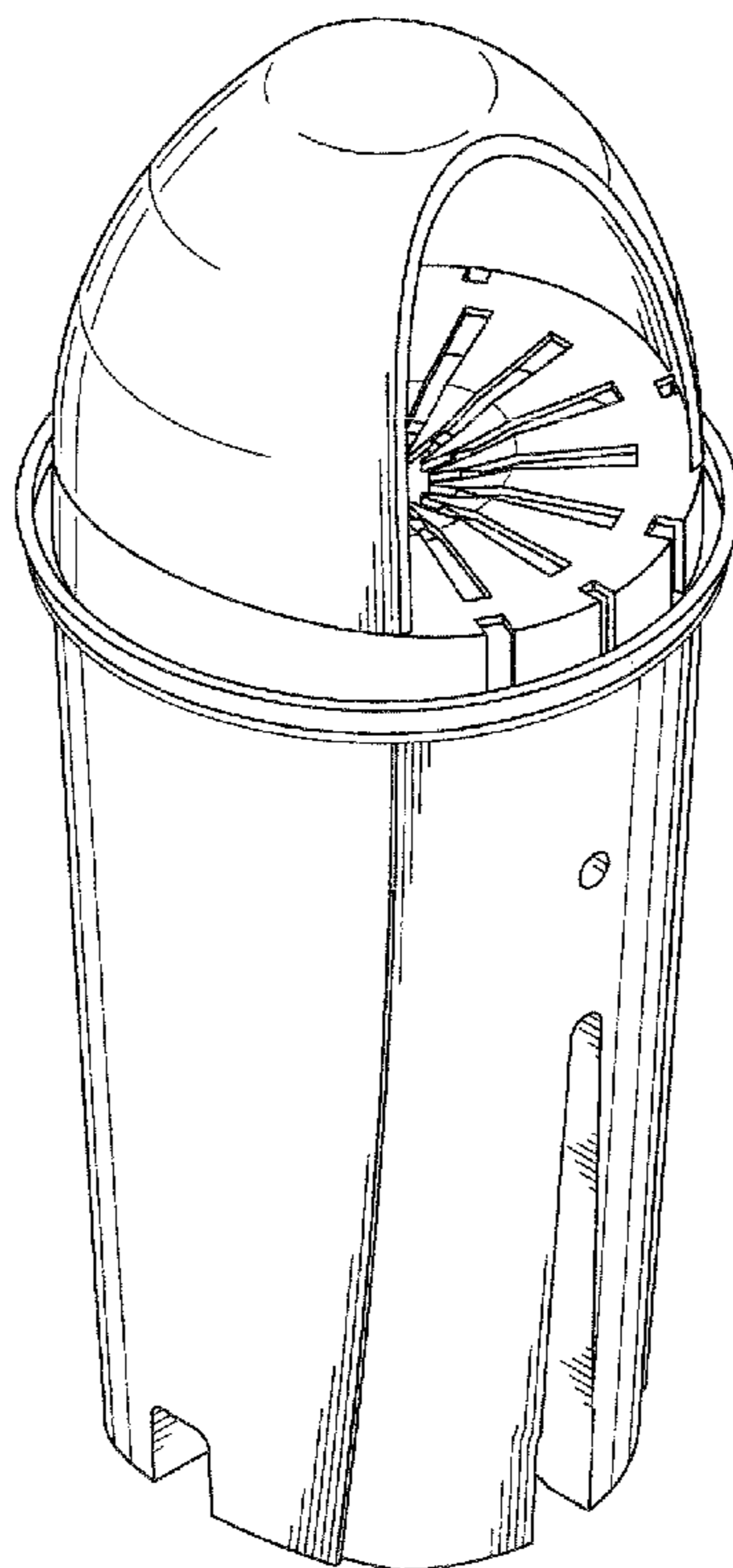
FIG. 4 is a front elevational view thereof;

FIG. 5 is a back elevational view thereof;

FIG. 6 is a right side elevational view thereof; and,

FIG. 7 is a left side elevational view thereof.

1 Claim, 2 Drawing Sheets



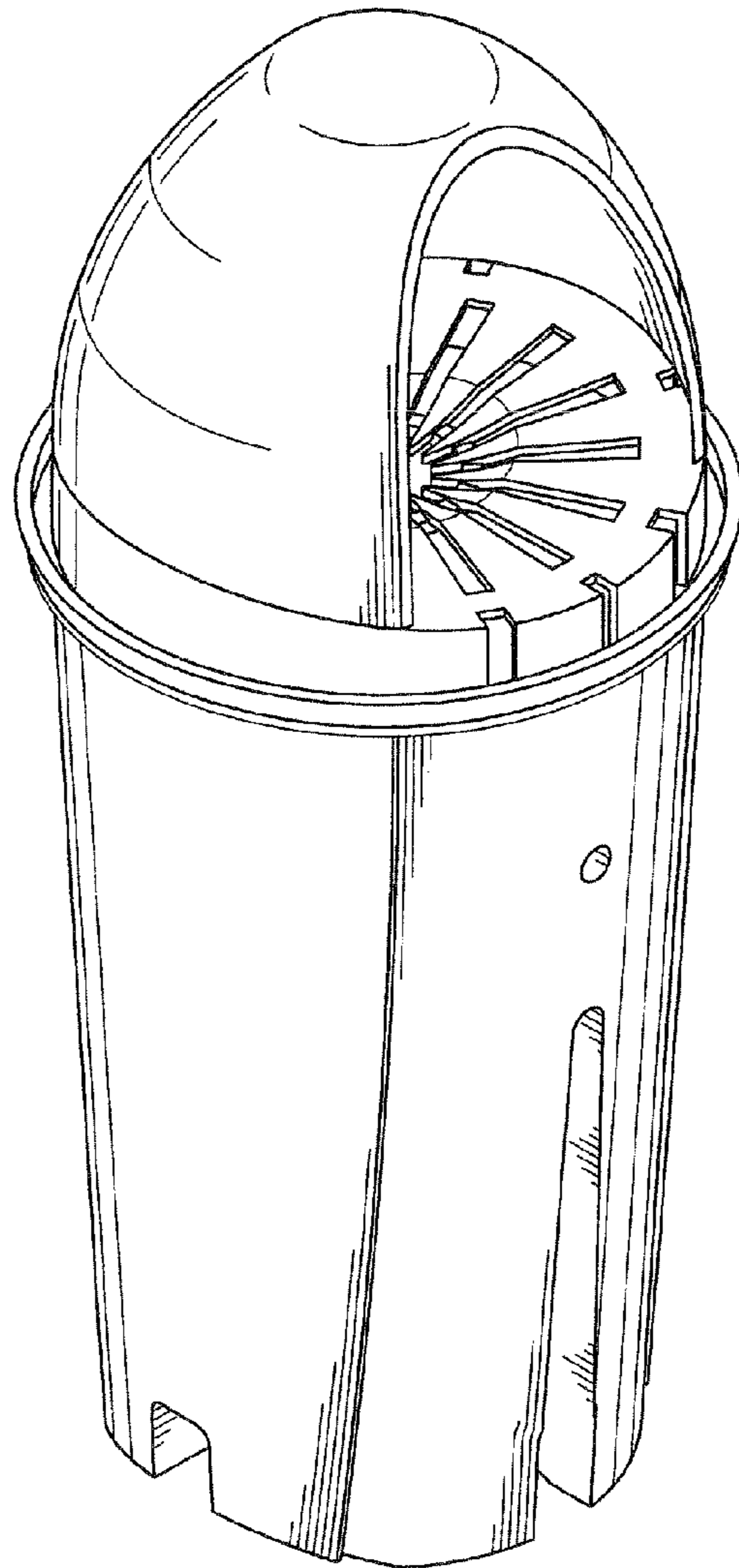


FIG.-1

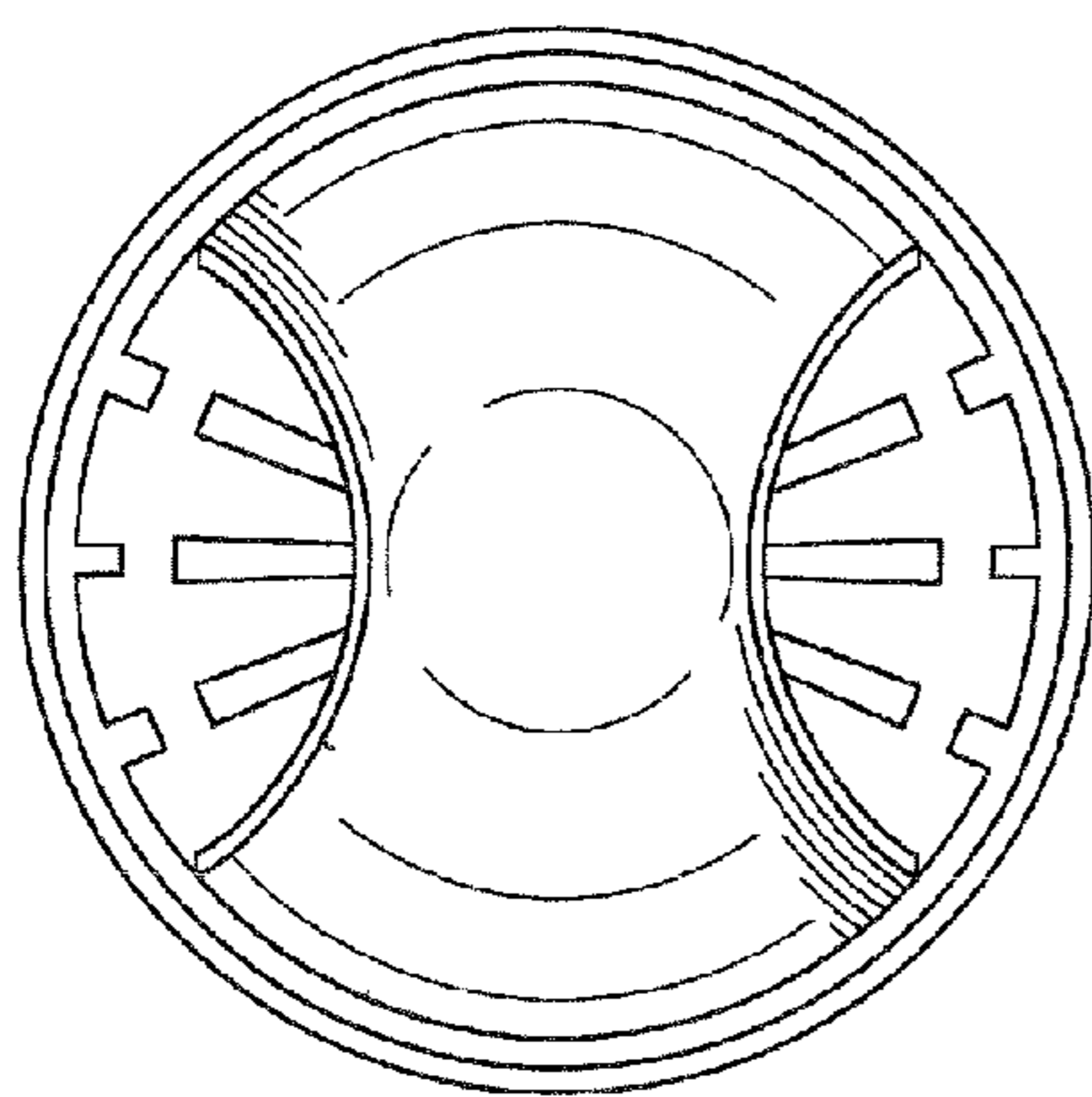


FIG.-2

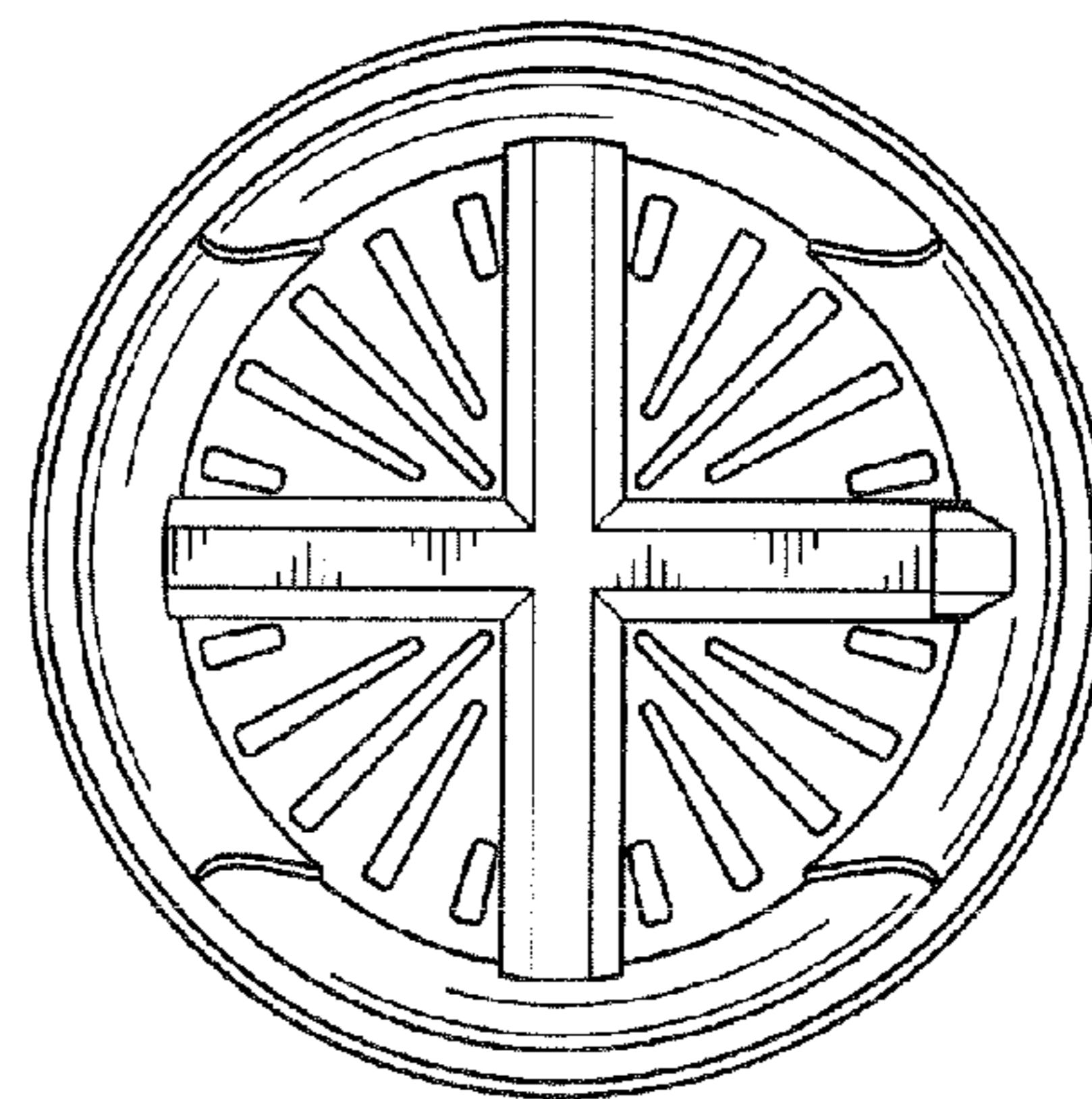


FIG.-3

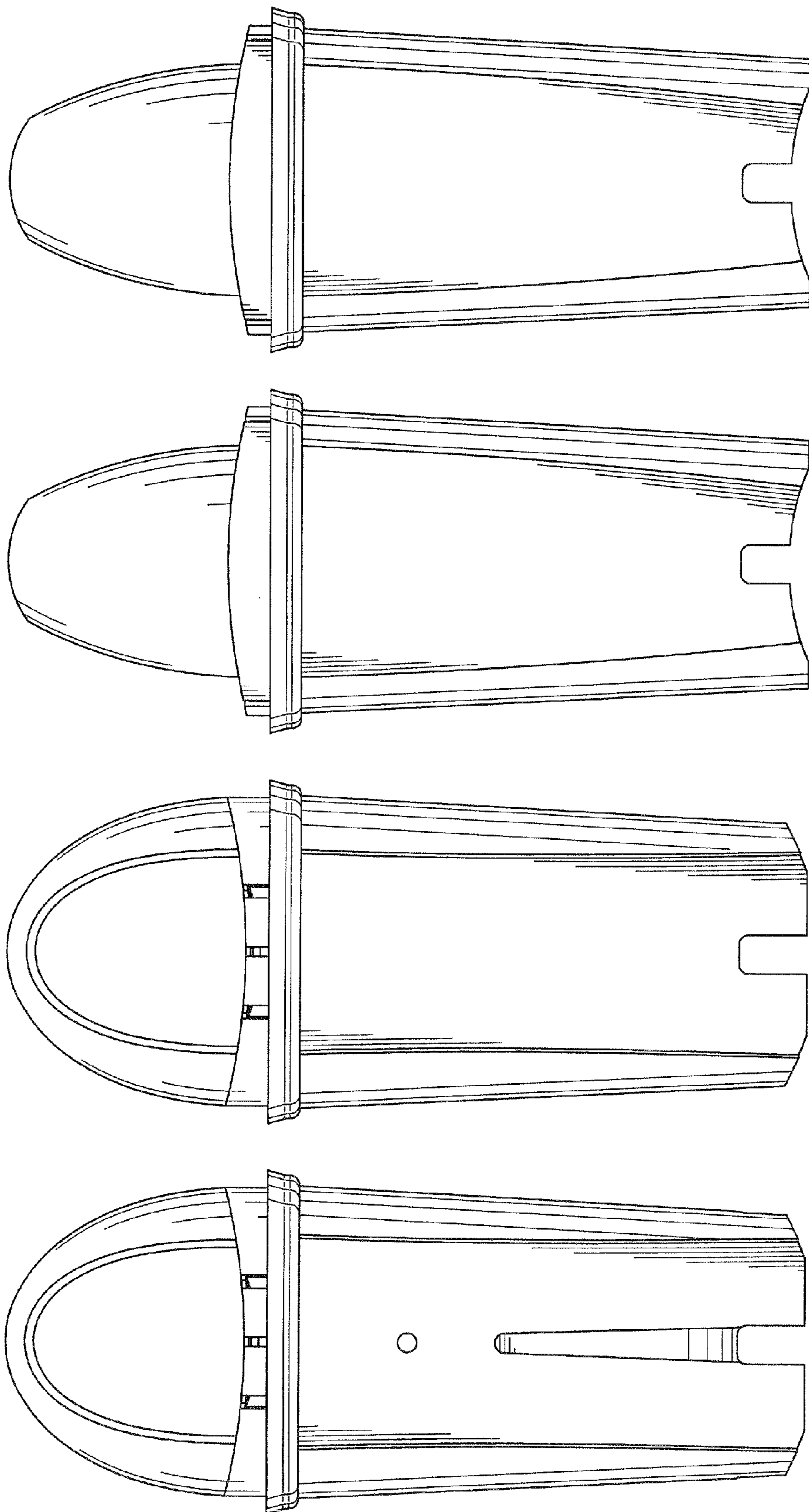


FIG. -7

FIG. -6

FIG. -5

FIG. -4