



US00D579514S

(12) **United States Design Patent**
Kelps

(10) **Patent No.:** **US D579,514 S**
(45) **Date of Patent:** **** Oct. 28, 2008**

(54) **PROPANE TANK STAND**

(76) Inventor: **Richard Kelps**, 5053 Lofting Dr., NE.,
Belmont, MI (US) 49306-9028

(**) Term: **14 Years**

(21) Appl. No.: **29/265,149**

(22) Filed: **Aug. 25, 2006**

(51) **LOC (8) Cl.** **23-01**

(52) **U.S. Cl.** **D23/206**

(58) **Field of Classification Search** D23/206;
D7/624.1; D9/455; 248/346.01; 220/628-634
See application file for complete search history.

(56) **References Cited**

U.S. PATENT DOCUMENTS

3,638,826	A	2/1972	Barker et al.	
4,905,945	A *	3/1990	Peterson	248/146
4,907,712	A	3/1990	Stempin	
4,932,621	A	6/1990	Kowk	
5,143,247	A *	9/1992	Gavle	220/630
D331,538	S *	12/1992	Fabre	D9/455
D331,792	S	12/1992	Wilcox	
D340,761	S *	10/1993	Long	D23/206
5,813,643	A	9/1998	Zybert	
5,836,554	A *	11/1998	Lesage	248/152
5,984,156	A *	11/1999	Bridges	224/566

6,302,291 B1 10/2001 McCleerey
6,454,123 B1 9/2002 Ritson
D474,404 S * 5/2003 Tropeano D9/455
2004/0016855 A1 1/2004 Berry et al.

* cited by examiner

Primary Examiner—Robin V Webster

(74) *Attorney, Agent, or Firm*—John Waters; Flynn, Thiel,
Boutell & Tanis PC

(57) **CLAIM**

The ornamental design for a propane tank stand, as shown and described.

DESCRIPTION

FIG. 1 is a front top perspective view of a propane tank stand showing my new design;

FIG. 2 is a partial sectional view taken along line 2—2 of FIG. 1;

FIG. 3 is a side elevation view thereof, the propane tank stand of my new design being an article of rotation about a central axis and having the same side elevation from each rotational angle; and,

FIG. 4 is a top plan view thereof.

The broken line showing of a tank is included for the purpose of illustrating and forms no part of the claimed design.

1 Claim, 3 Drawing Sheets

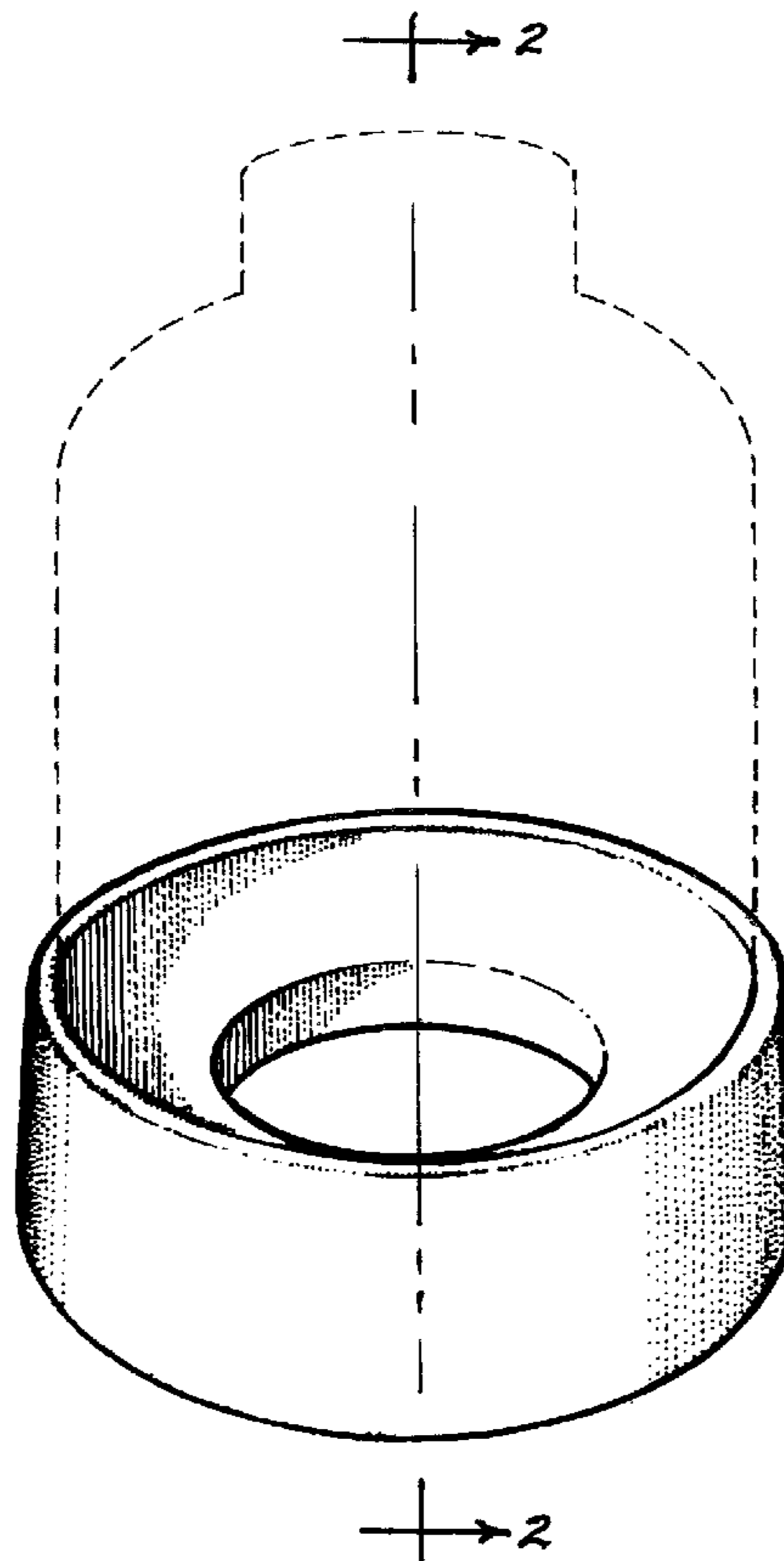


Fig. 1

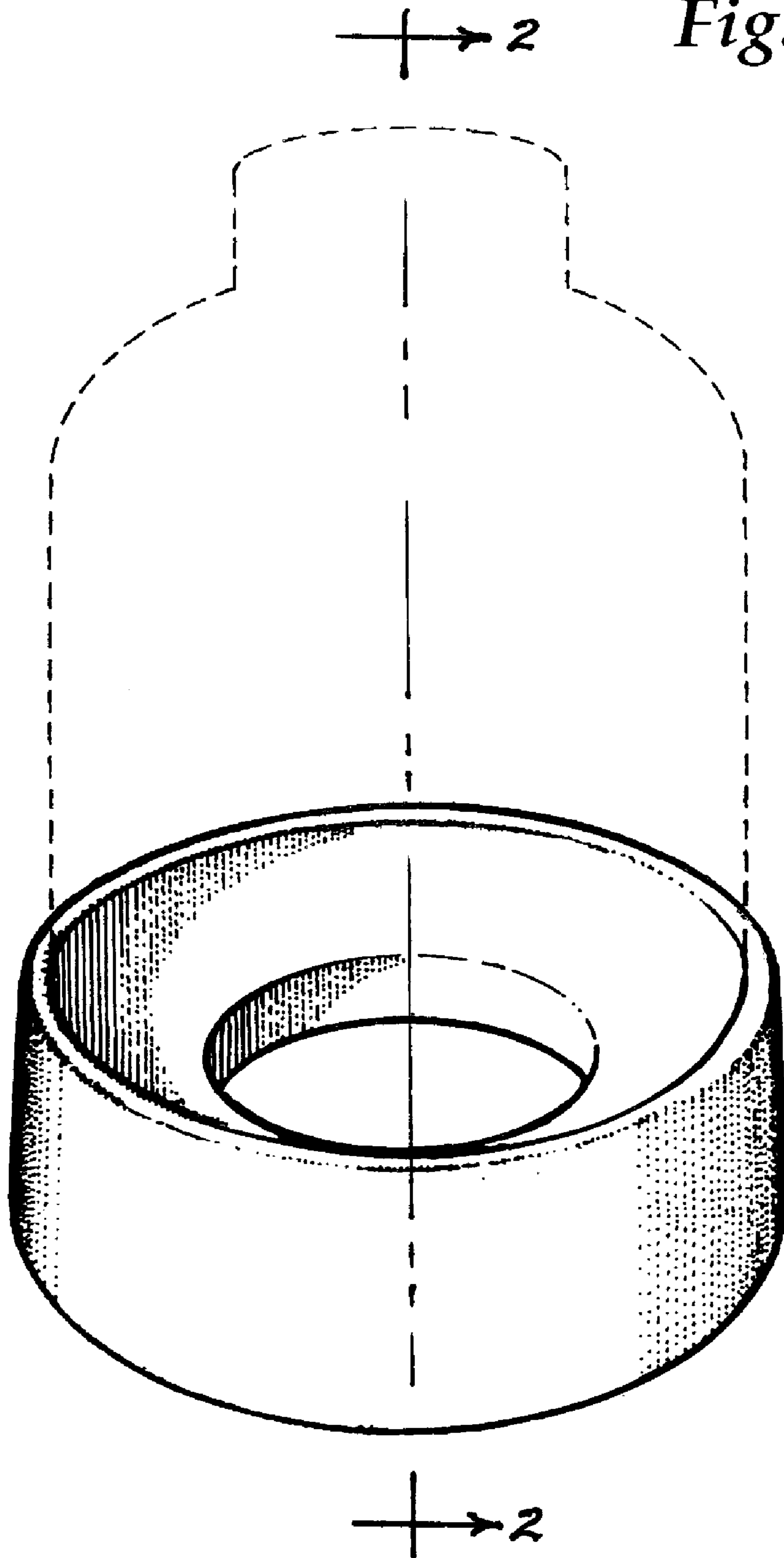


Fig. 2

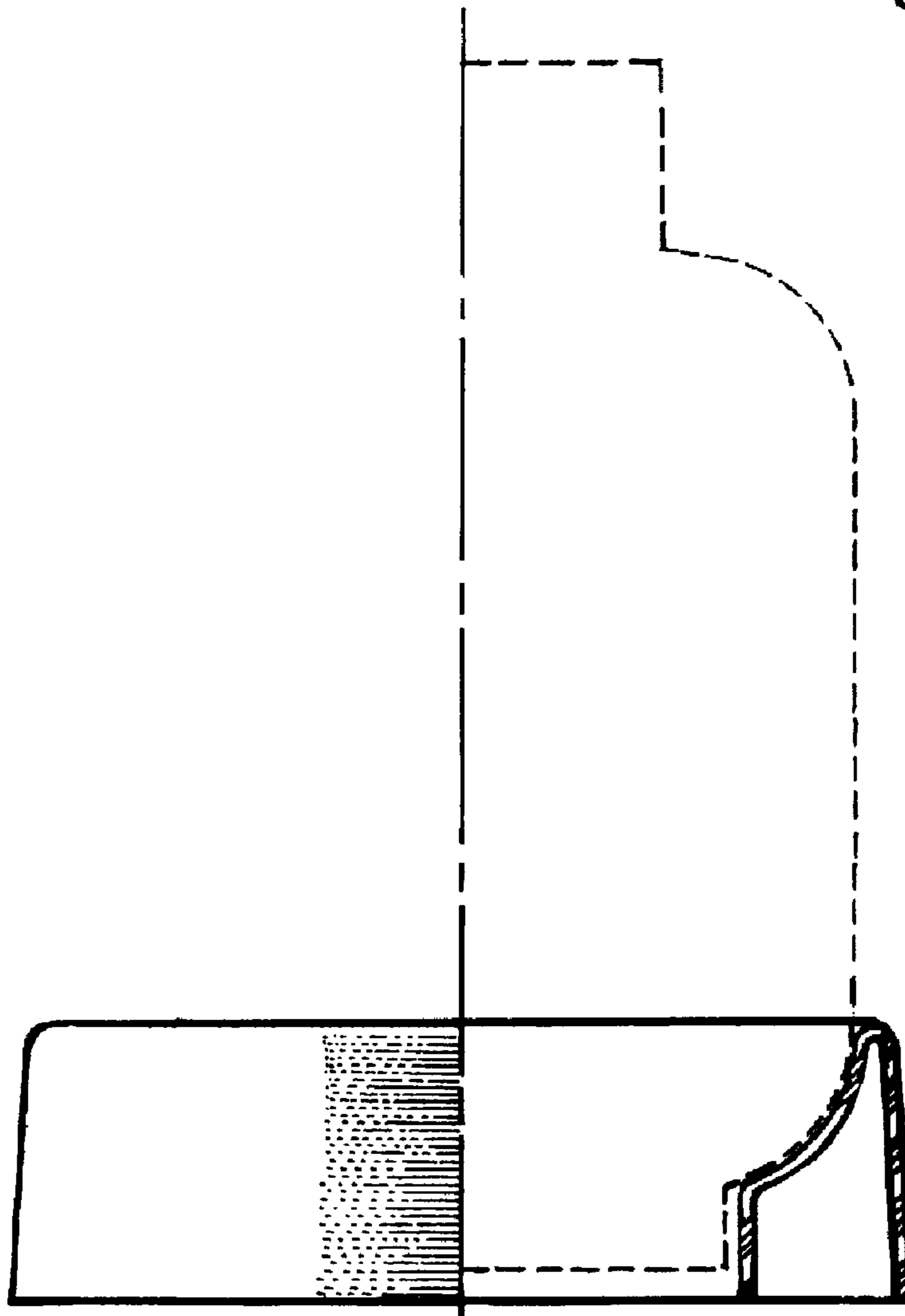


Fig. 3

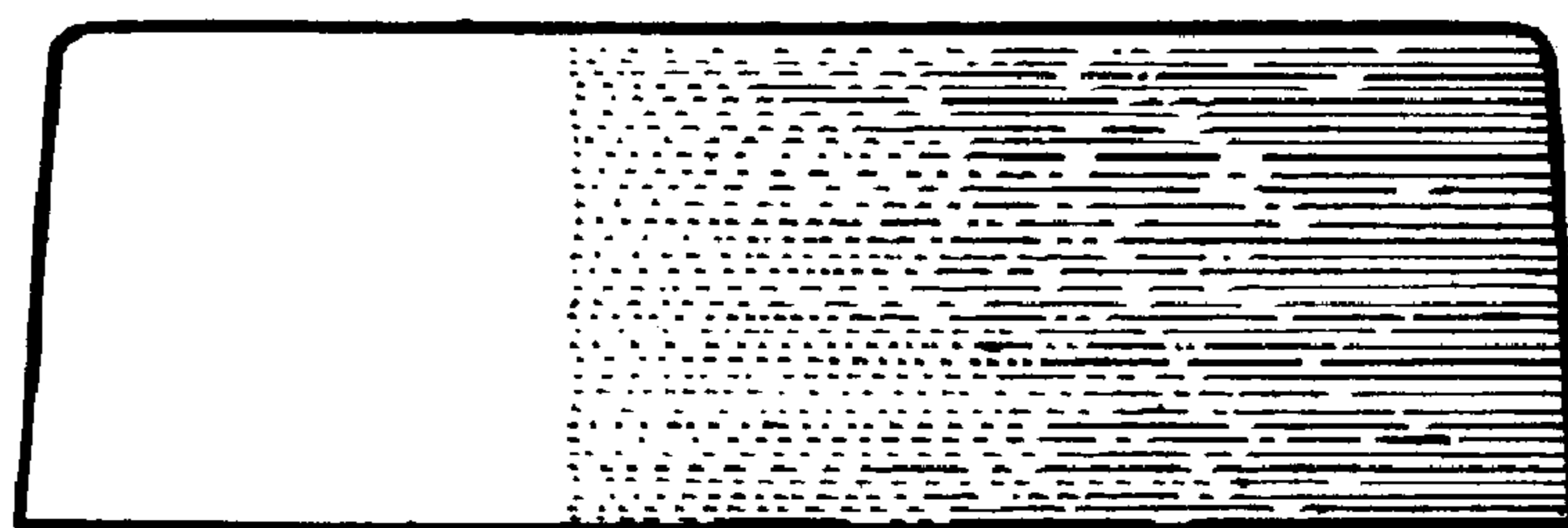


Fig. 4

