



US00D579513S

(12) **United States Design Patent**  
**Iwabuchi**

(10) **Patent No.:** **US D579,513 S**  
(45) **Date of Patent:** **\*\* Oct. 28, 2008**

(54) **FISHING REEL PORTION**

(57) **CLAIM**

(75) Inventor: **Masakazu Iwabuchi**, Osaka (JP)

The ornamental design for a fishing reel portion, as shown and described.

(73) Assignee: **Shimano Inc.**, Osaka (JP)

(\*\*) Term: **14 Years**

**DESCRIPTION**

(21) Appl. No.: **29/295,461**

FIG. 1 is a first side elevational view of a fishing reel portion in accordance with my new design;

(22) Filed: **Sep. 28, 2007**

FIG. 2 is a second side elevational view of the fishing reel portion in accordance with my new design;

(30) **Foreign Application Priority Data**

Apr. 2, 2007 (JP) ..... 2007-008628

FIG. 3 is a top plan view of the fishing reel portion in accordance with my new design;

(51) **LOC (8) Cl.** ..... **22-05**

FIG. 4 is a bottom plan view of the fishing reel portion in accordance with my new design;

(52) **U.S. Cl.** ..... **D22/141**

FIG. 5 is a rear elevational view of the fishing reel portion in accordance with my new design;

(58) **Field of Classification Search** ..... D22/139-142;  
242/311, 318, 322, 390, 370; 43/20-24  
See application file for complete search history.

FIG. 6 is a front elevational view of the fishing reel portion in accordance with my new design;

(56) **References Cited**

**U.S. PATENT DOCUMENTS**

- D467,299 S \* 12/2002 Kondo et al. .... D22/141
- D516,160 S 2/2006 Iwabuchi
- D516,664 S 3/2006 Iwabuchi
- D528,626 S \* 9/2006 Iwabuchi et al. .... D22/141
- D539,378 S \* 3/2007 Kondo et al. .... D22/141
- D561,871 S \* 2/2008 Iwabuchi ..... D22/141

FIG. 7 is a top perspective view of the fishing reel portion in accordance with my new design;

FIG. 8 is a bottom perspective view of the fishing reel portion in accordance with my new design;

FIG. 9 is a partial cross-sectional view along 9-9 and 9-9 of the fishing reel portion in FIG. 1 in accordance with my new design; and,

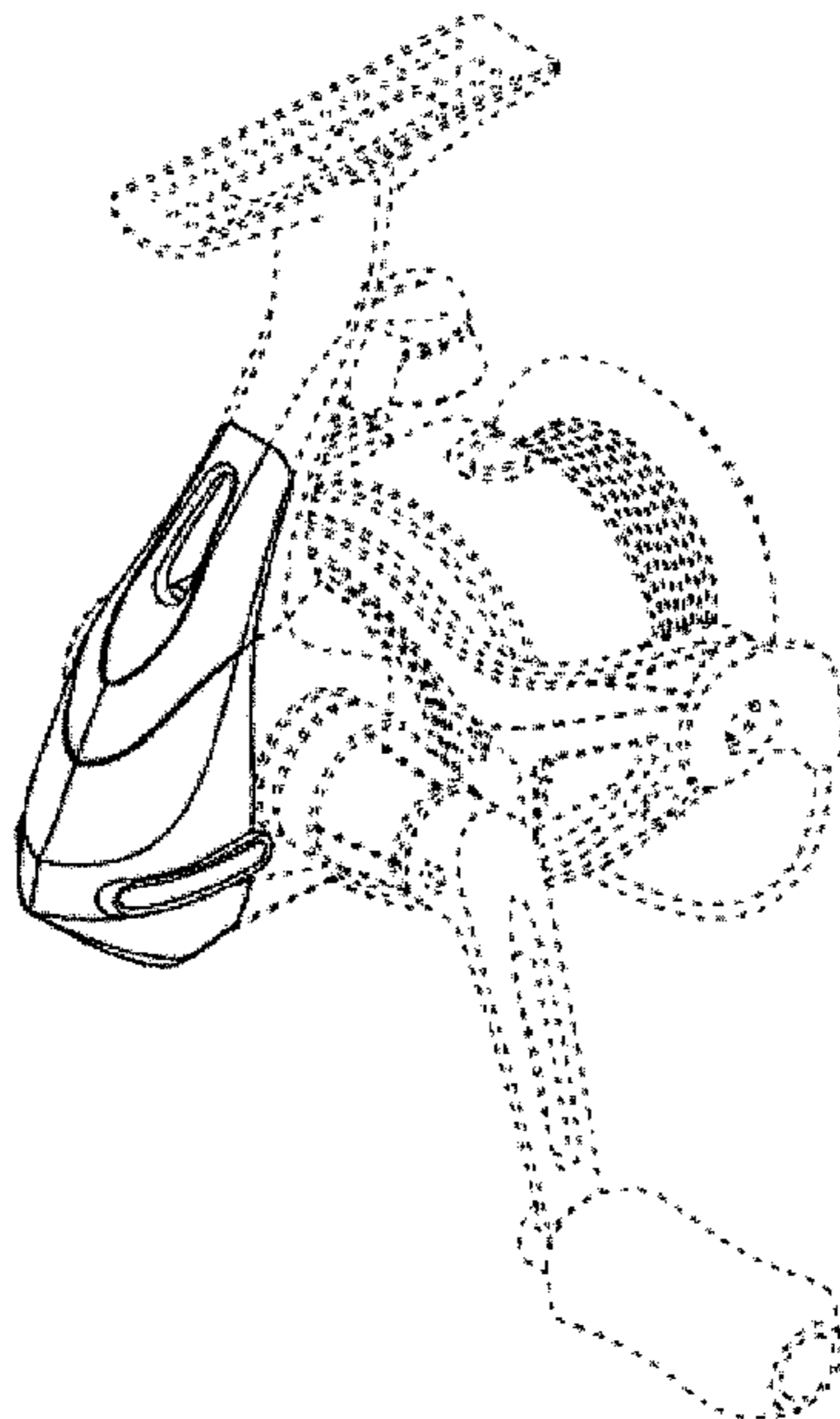
FIG. 10 is a partial cross-sectional view along 10-10 of the fishing reel portion in FIG. 5 in accordance with my new design.

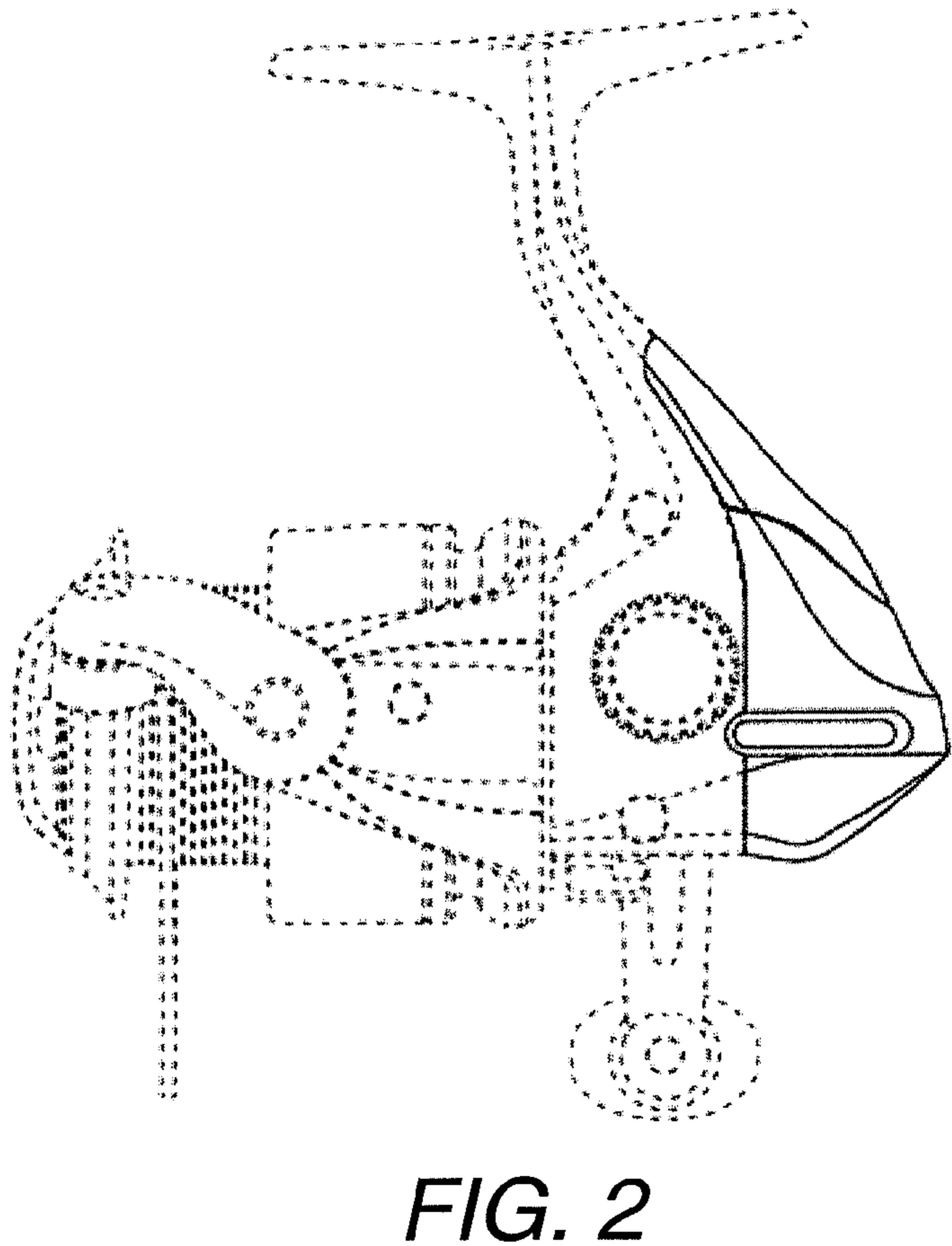
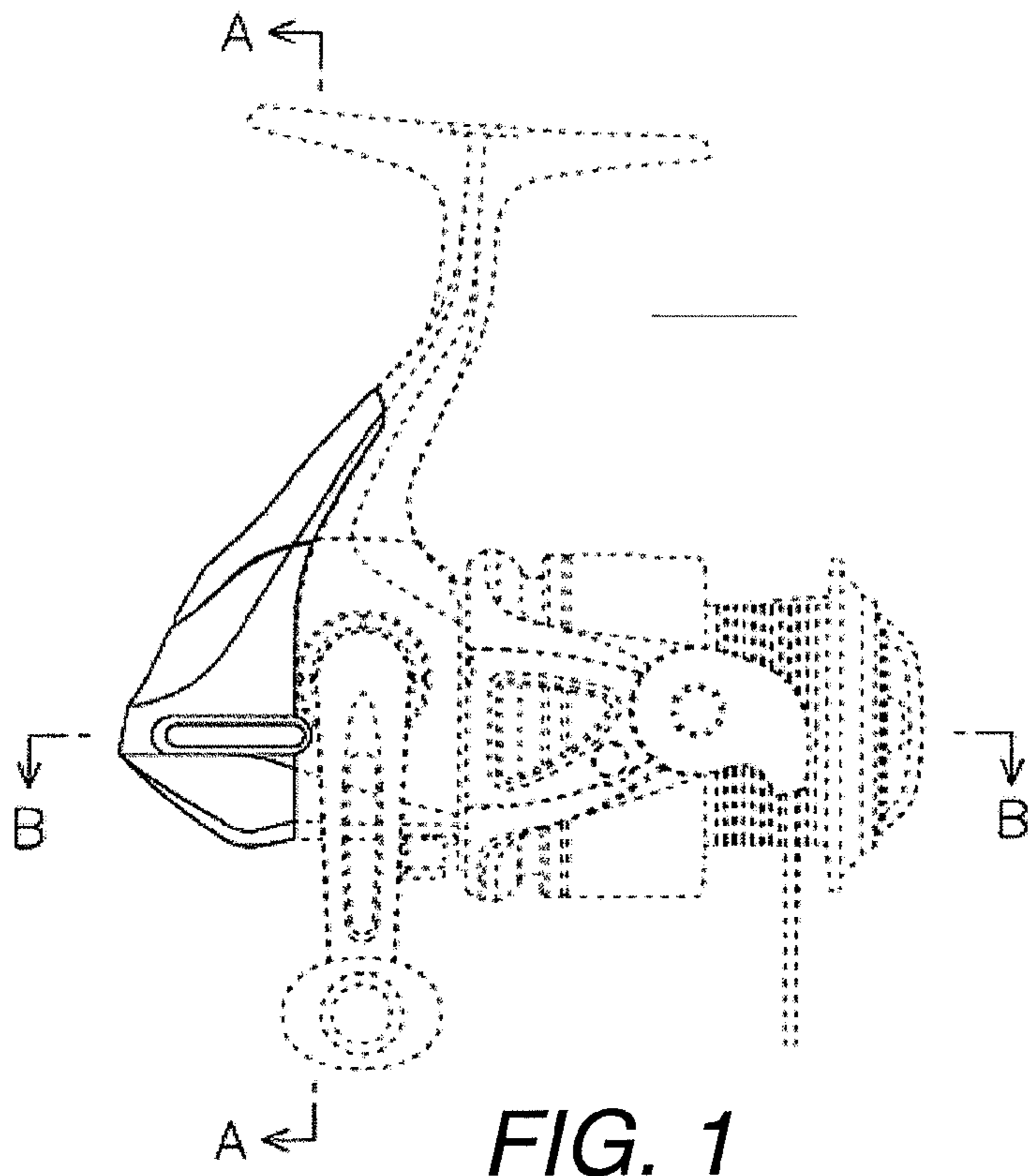
The broken line showing of environment (the remaining structure of the fishing reel portion) in the Figures is for illustrative purposes only and forms no part of the claimed design. The cross-sections of FIGS. 9 and 10 are provided to better understand the claimed design, but do not form a part of the claimed design.

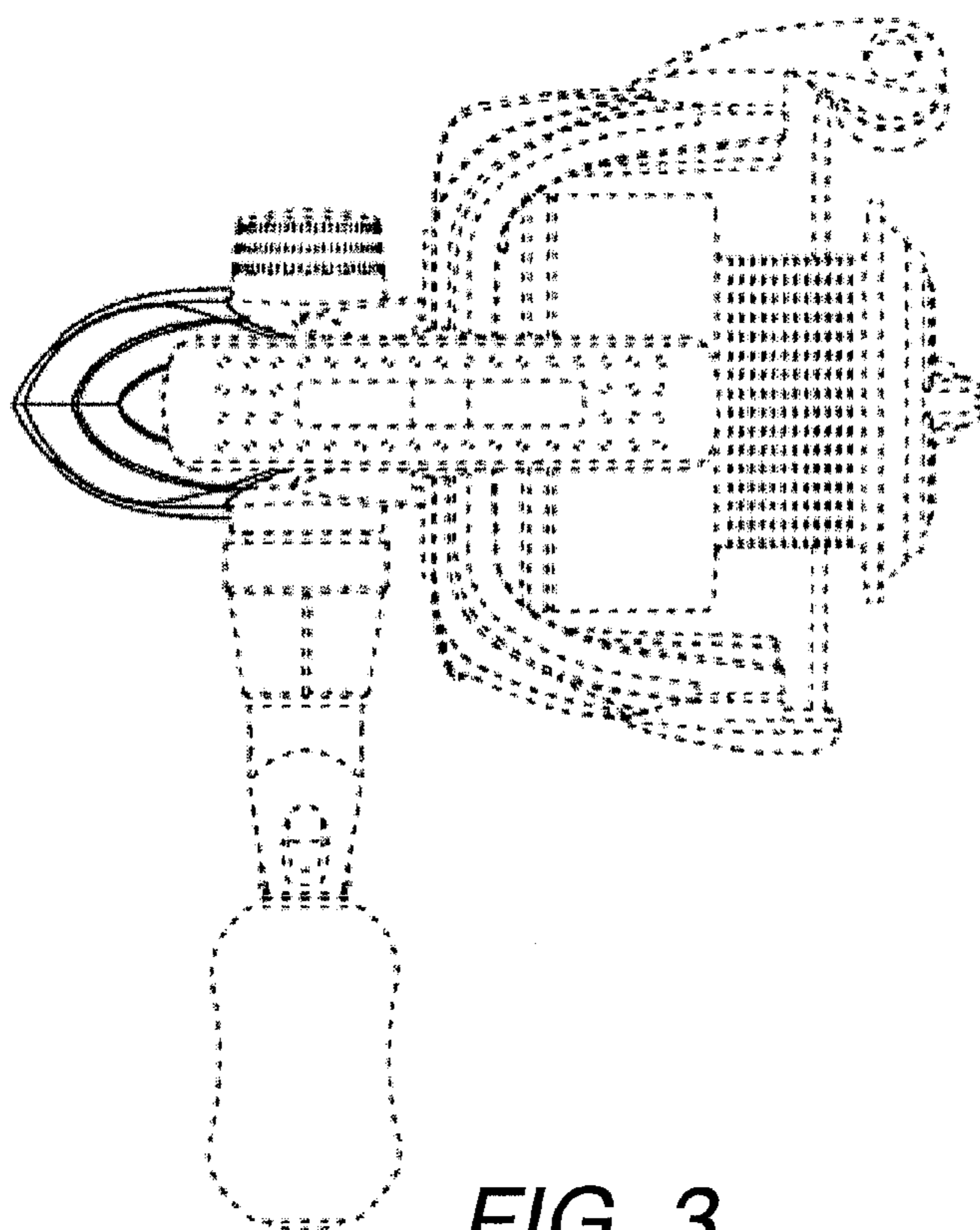
\* cited by examiner

*Primary Examiner*—Catherine R Oliver  
(74) *Attorney, Agent, or Firm*—Global IP Counselors, LLP

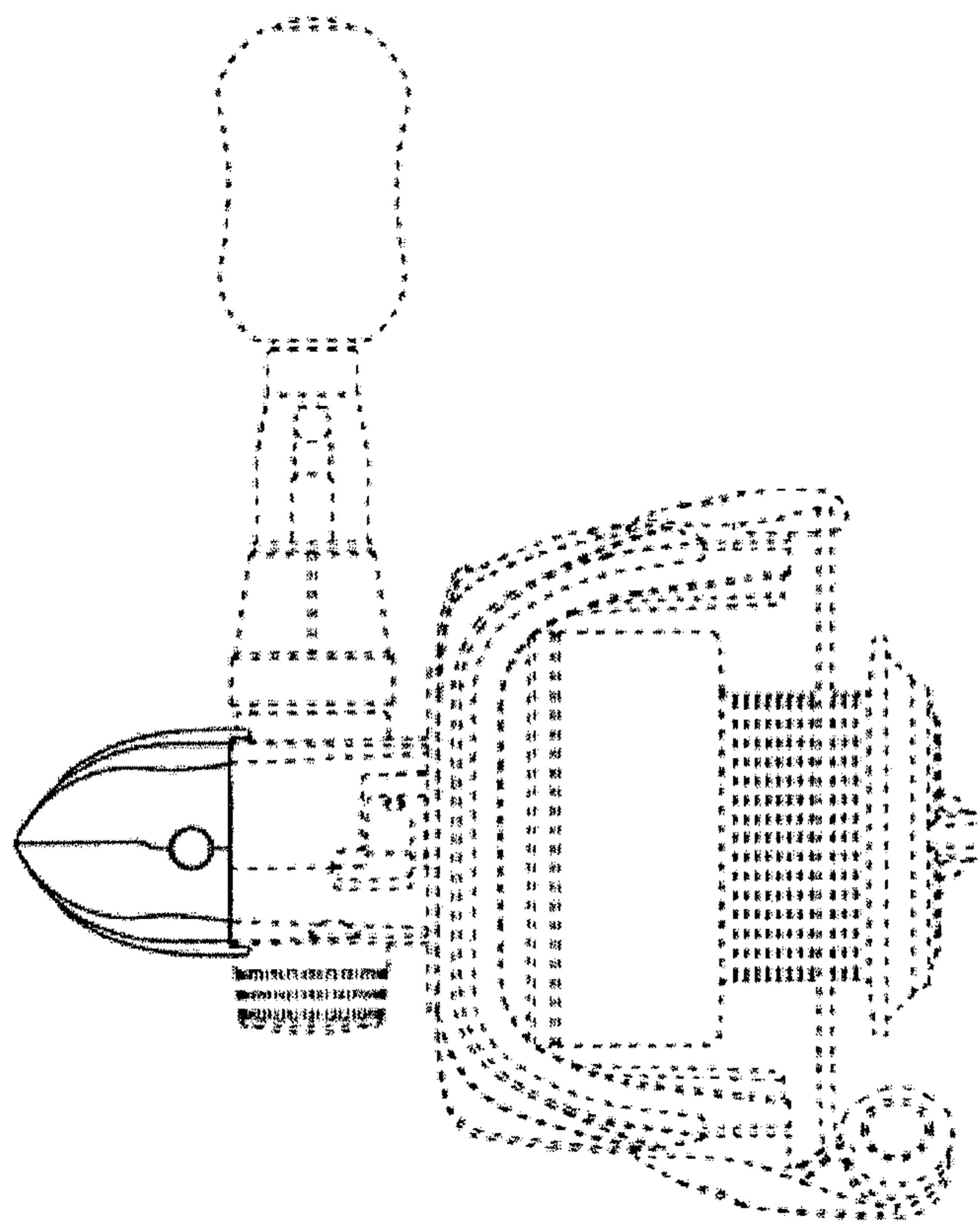
**1 Claim, 5 Drawing Sheets**







*FIG. 3*



*FIG. 4*



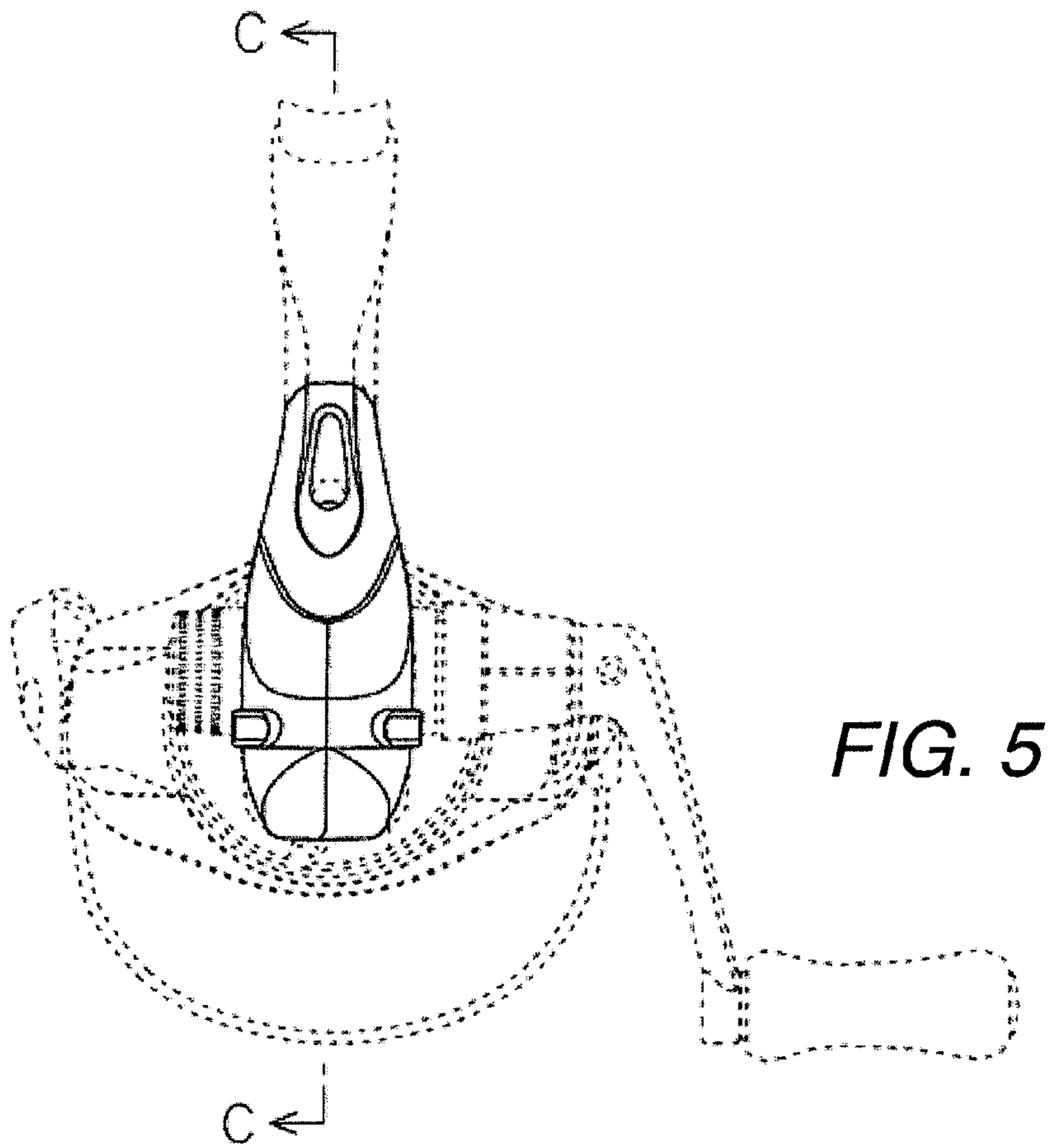
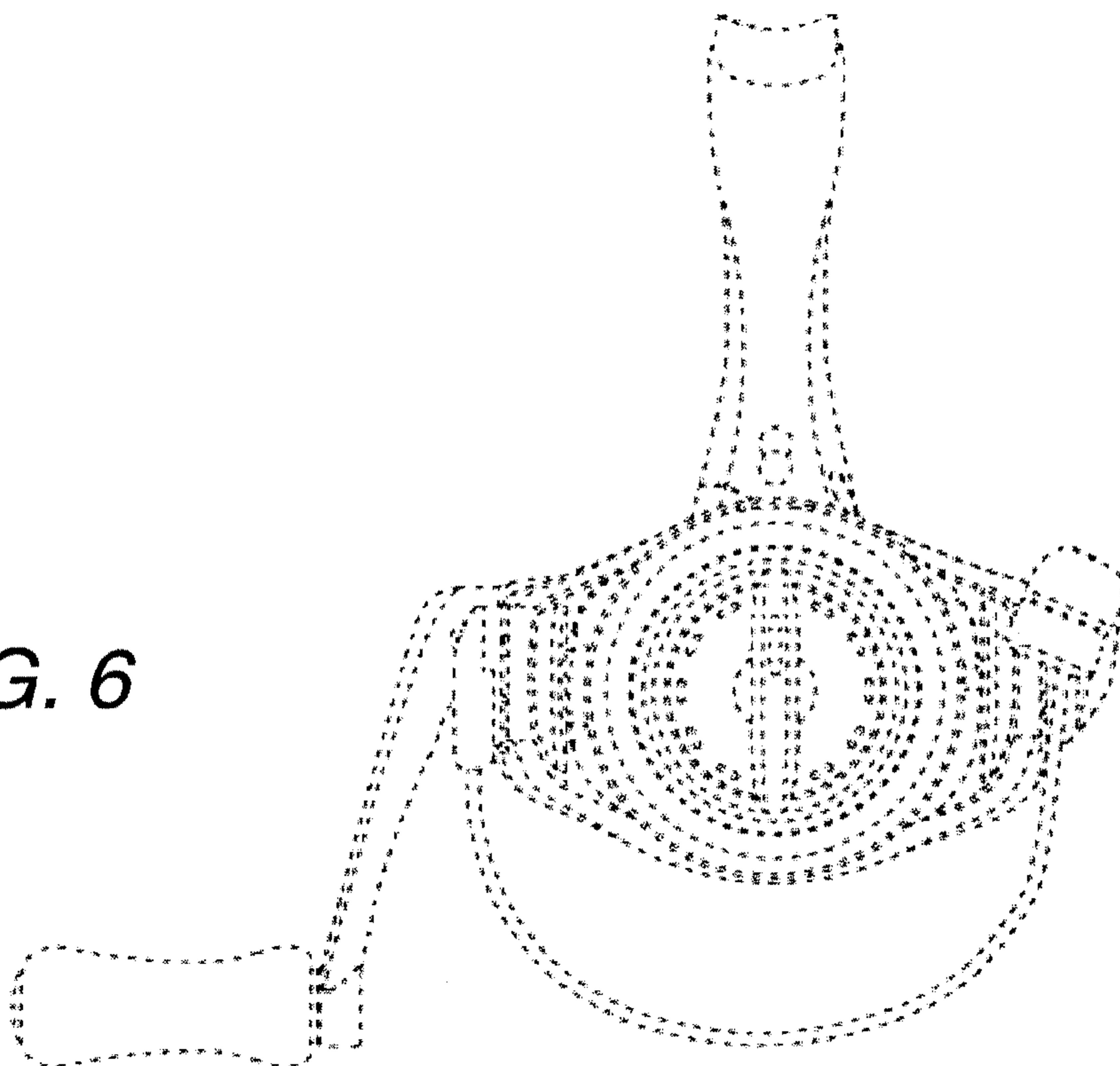
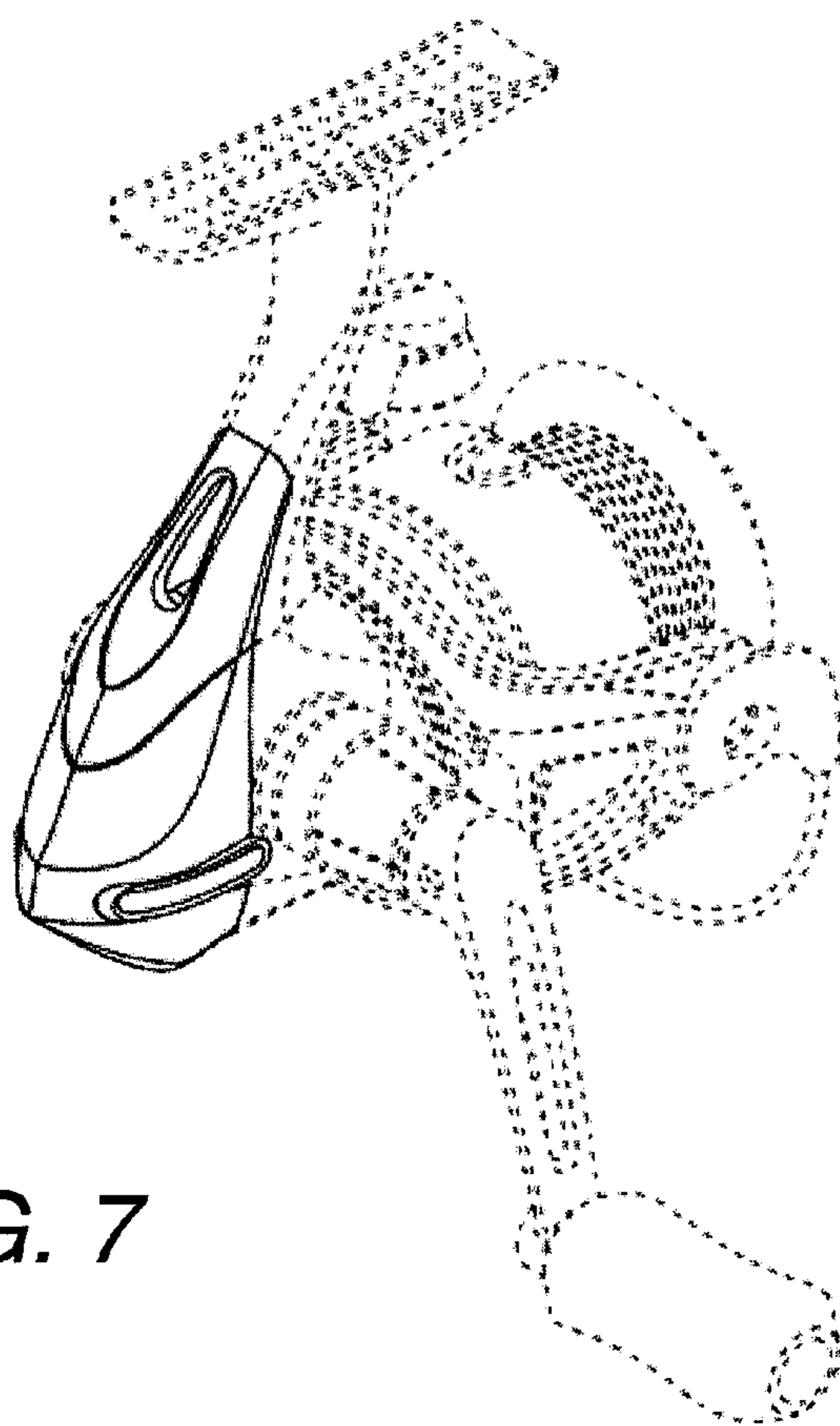
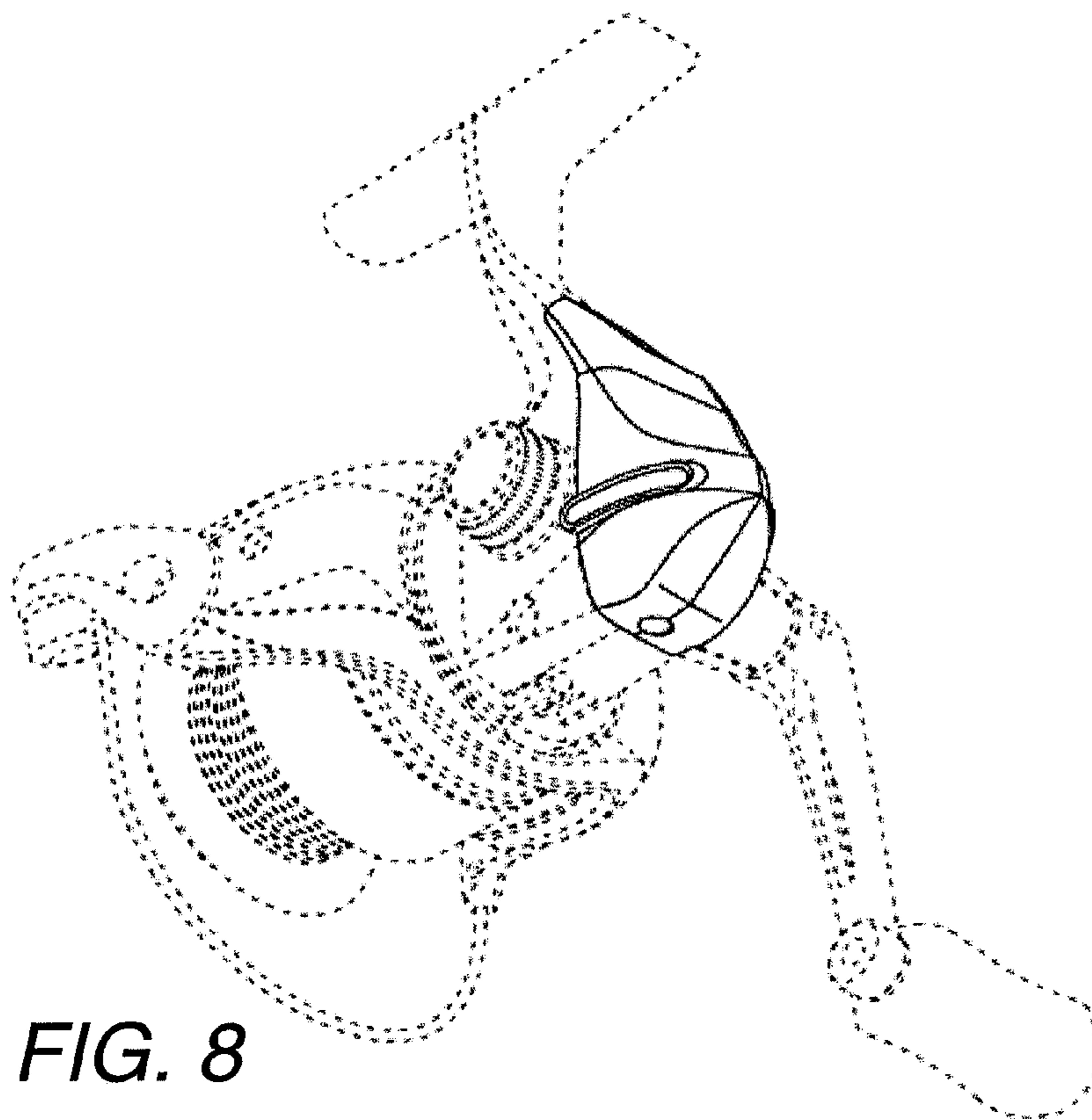


FIG. 6

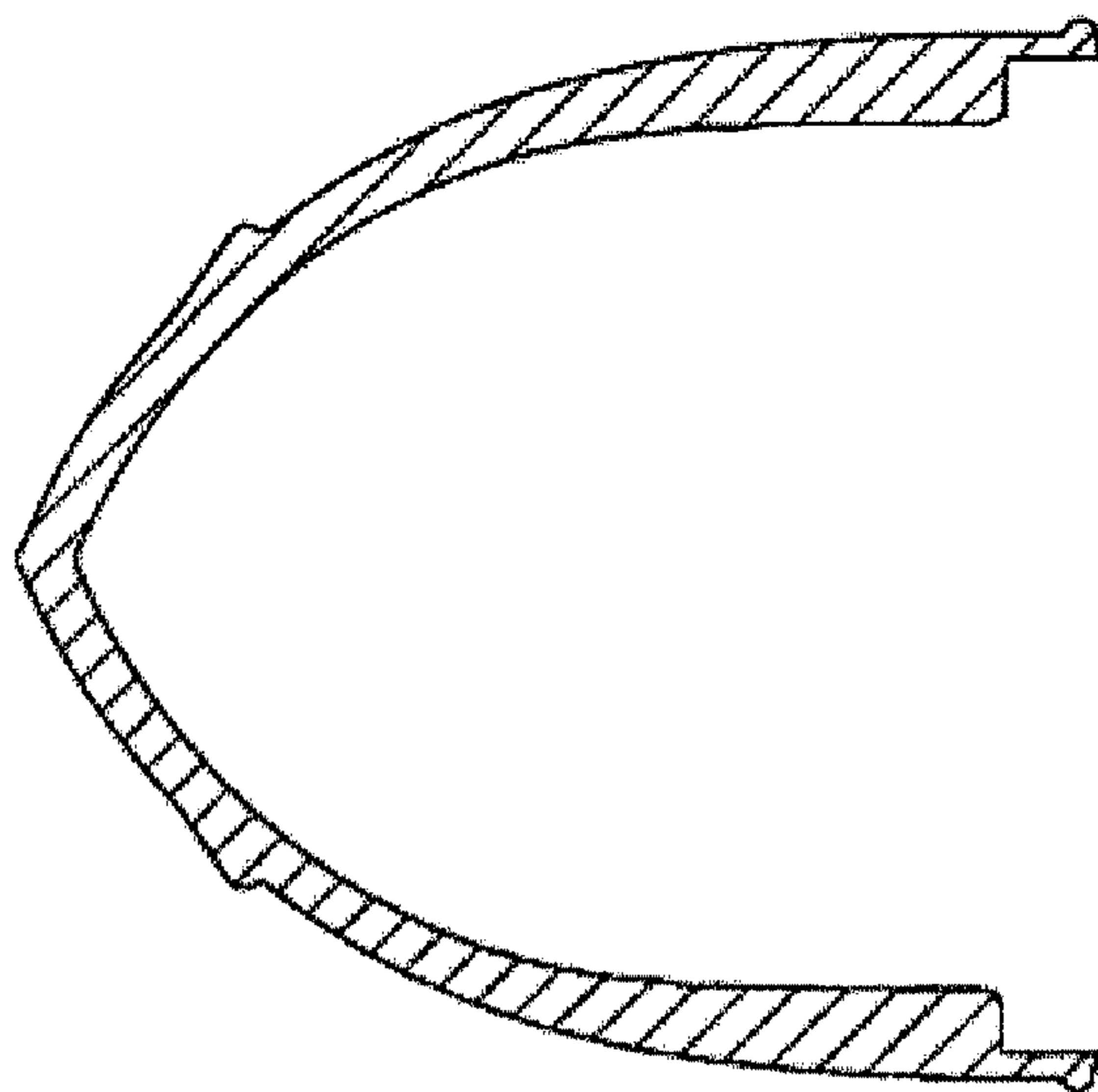




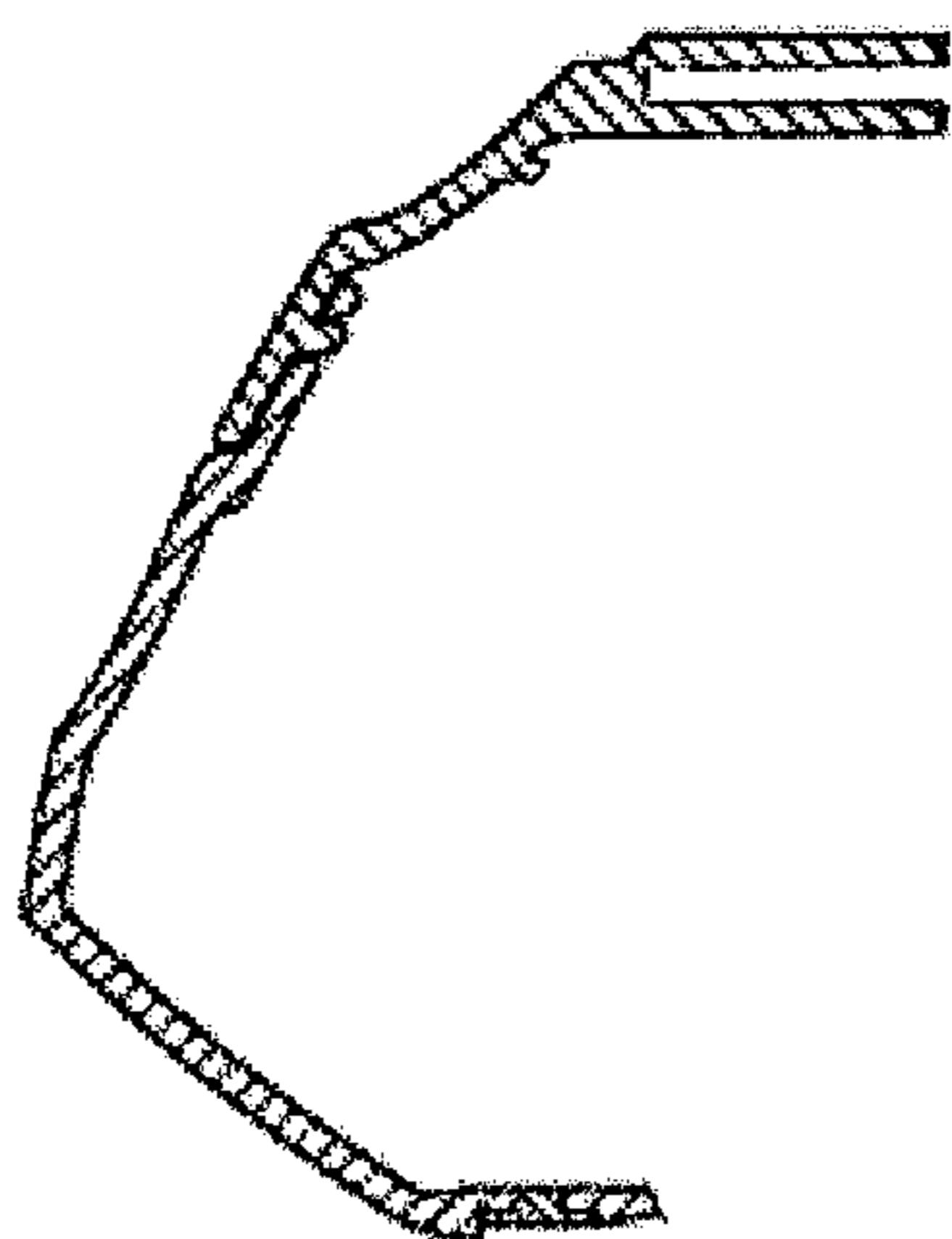
*FIG. 7*



*FIG. 8*



*FIG. 9*



*FIG. 10*