



US00D579512S

(12) **United States Design Patent**
Renosky

(10) **Patent No.:** **US D579,512 S**

(45) **Date of Patent:** **** Oct. 28, 2008**

(54) **FISHERS LURE BLADE**

D495,396 S * 8/2004 Yamaguchi D22/129
D561,866 S * 2/2008 Smith et al. D22/129

(75) Inventor: **Joseph F. Renosky**, P.O. Box 1198,
Indiana, PA (US) 15701

* cited by examiner

(73) Assignee: **Joseph F. Renosky**, Indiana, PA (US)

Primary Examiner—Catherine R Oliver

(**) Term: **14 Years**

(74) *Attorney, Agent, or Firm*—George Morgan; Mark Manley

(21) Appl. No.: **29/292,969**

(57) **CLAIM**

(22) Filed: **Nov. 5, 2007**

The ornamental design for a fishers lure blade, as shown and described.

(51) **LOC (8) Cl.** **22-05**

(52) **U.S. Cl.** **D22/129**

(58) **Field of Classification Search** D22/126–133;
43/42.05, 42.06, 42.5, 42.31, 45.51, 42.32,
43/42.33, 42.34, 43.1, 43.13, 42.39

See application file for complete search history.

DESCRIPTION

FIG. 1 is a side perspective view of a fishers lure blade showing my new ornamental design.

FIG. 2 is a top perspective view;

FIG. 3 is a rear perspective view thereof.

FIG. 4 is a front elevation view;

FIG. 5 is a right side perspective view thereof; and,

FIG. 6 is a bottom plan view.

(56) **References Cited**

U.S. PATENT DOCUMENTS

2,214,266 A * 9/1940 Haury D22/129
D192,962 S * 6/1962 Stoebener D22/129
3,139,695 A * 7/1964 Makowski 43/42.51

1 Claim, 6 Drawing Sheets

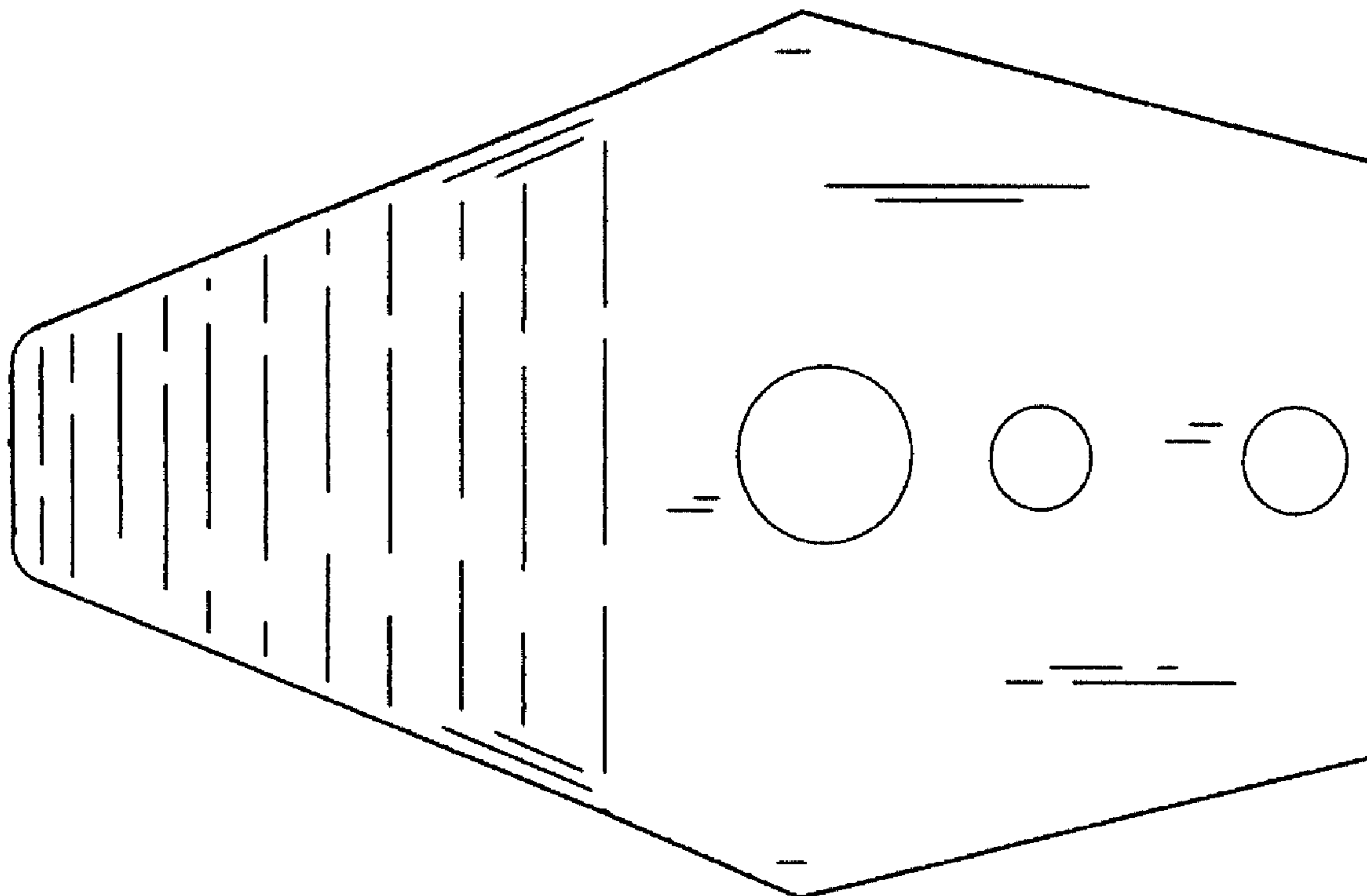


FIG.1



FIG.2

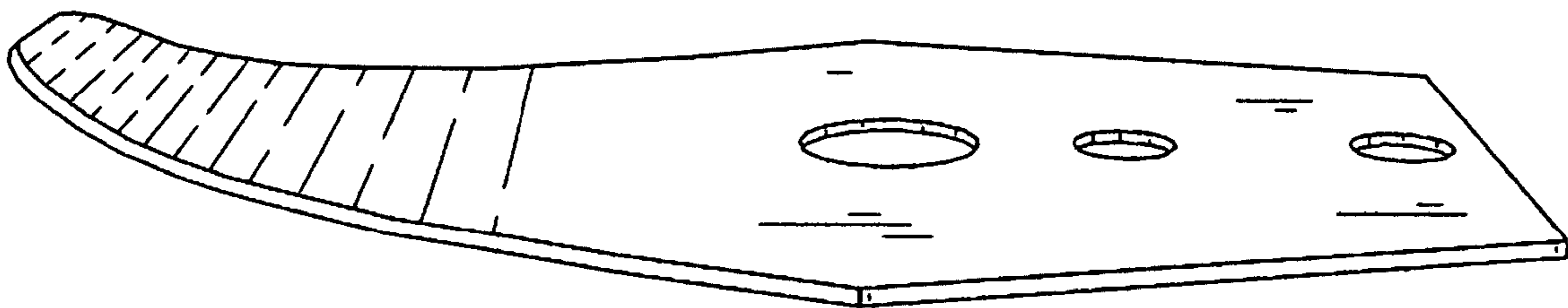


FIG.3

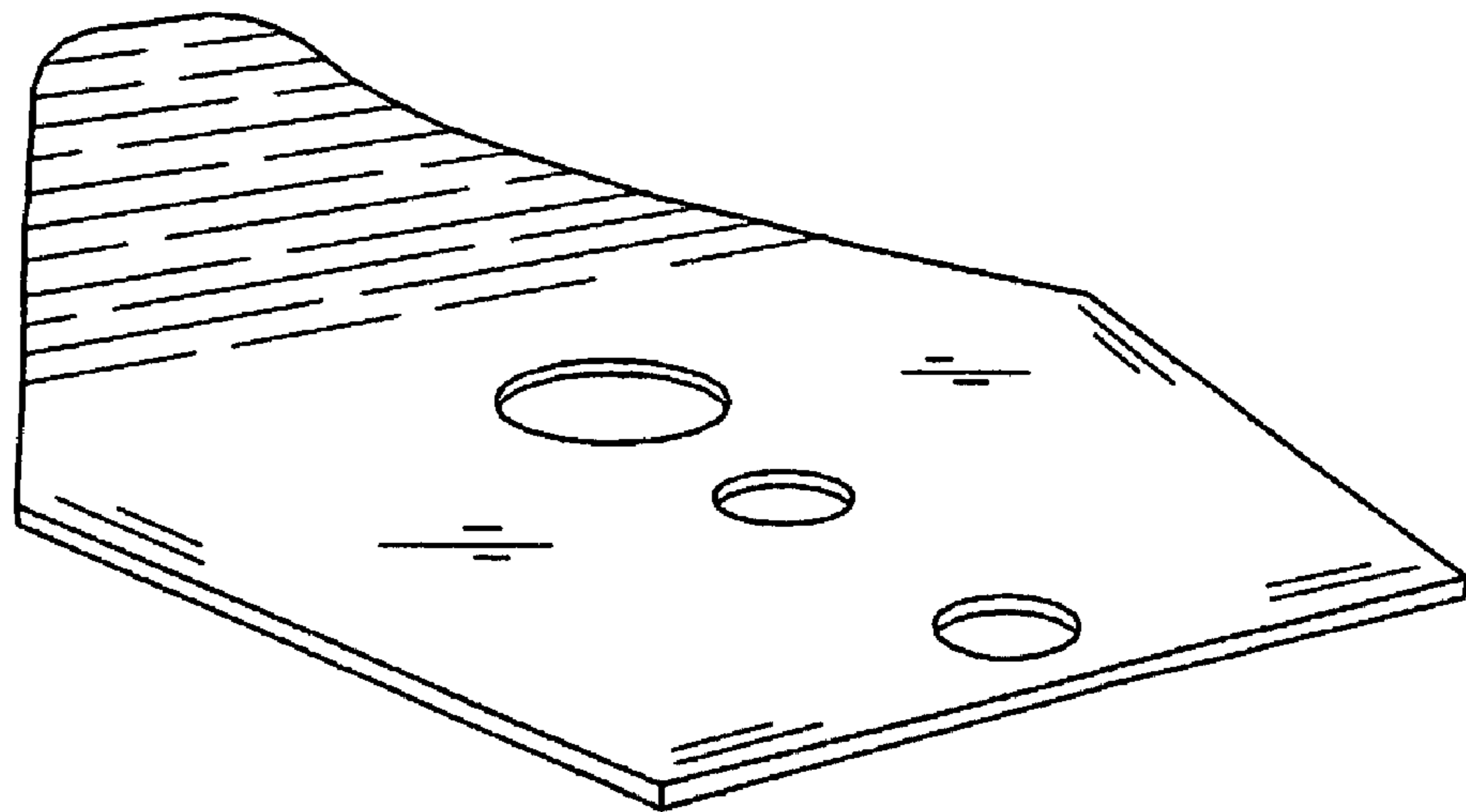


FIG.4

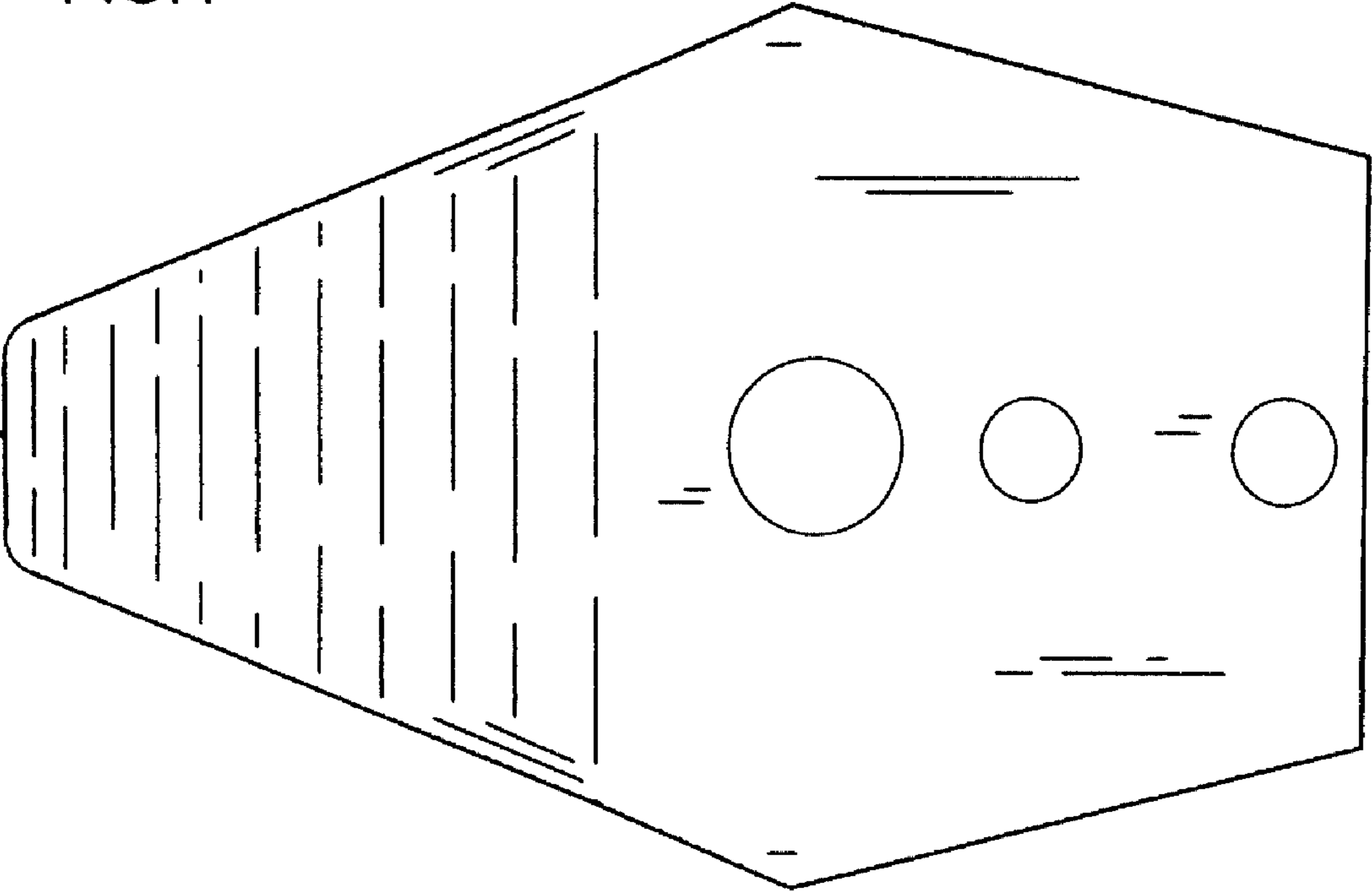


FIG.5

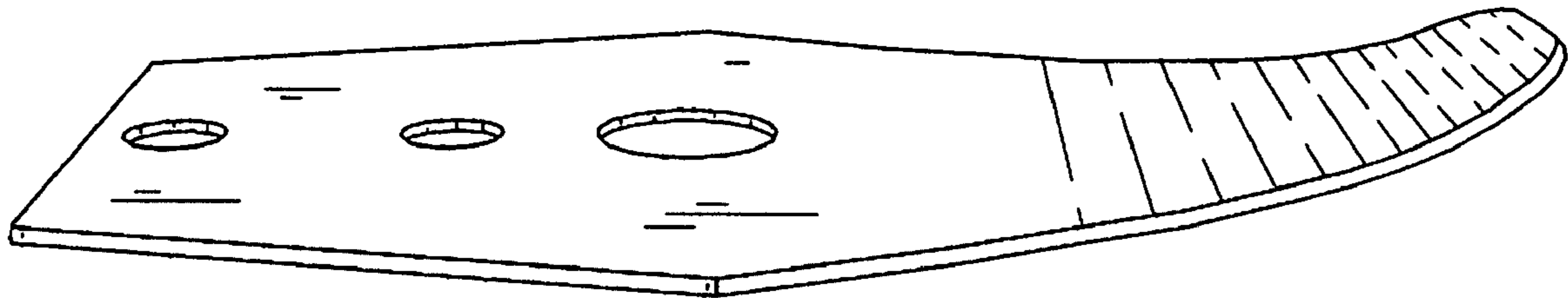


FIG.6

