



US00D579508S

(12) **United States Design Patent**
Oldknow et al.

(10) **Patent No.:** **US D579,508 S**
(45) **Date of Patent:** **** Oct. 28, 2008**

(54) **GOLF CLUB HEAD FOR A PUTTER**
(75) Inventors: **Andrew G. V. Oldknow**, Beaverton, OR
(US); **David N. Franklin**, Granbury, TX
(US); **John T. Stites**, Weatherford, TX
(US)

(73) Assignee: **Nike, Inc.**, Beaverton, OR (US)

(**) Term: **14 Years**

(21) Appl. No.: **29/321,431**

(22) Filed: **Jul. 16, 2008**

(51) **LOC (8) Cl.** **21-02**

(52) **U.S. Cl.** **D21/759**

(58) **Field of Classification Search** D21/736-746,
D21/759; 473/324-331, 340-341, 251-256
See application file for complete search history.

(56) **References Cited**

U.S. PATENT DOCUMENTS

- D146,431 S * 3/1947 Liolich D21/742
- D362,041 S 9/1995 Takahashi et al.
- D383,820 S 9/1997 Watanabe
- D394,687 S 5/1998 Mahaffey et al.
- D394,887 S 6/1998 Bottema
- D399,289 S 10/1998 Sheets et al.
- D401,301 S 11/1998 Cherevko
- D401,980 S 12/1998 Neumann
- D401,989 S 12/1998 Sheets et al.
- D425,158 S 5/2000 Long et al.
- D437,018 S 1/2001 Leysock
- D462,101 S 8/2002 Debenon
- 6,440,009 B1 8/2002 Guibaud et al.
- D469,834 S 2/2003 Saraie
- D479,867 S 9/2003 Saliba et al.
- D481,089 S * 10/2003 Breier et al. D21/738
- D485,321 S * 1/2004 Breier et al. D21/738
- D489,425 S 5/2004 Rice et al.

- D500,110 S 12/2004 Solheim et al.
- D501,035 S 1/2005 Wahl et al.
- D502,234 S 2/2005 Grace
- D507,316 S 7/2005 Li
- D507,319 S 7/2005 Kramski
- D508,276 S 8/2005 Madore
- 6,929,559 B1 8/2005 Grace
- D510,394 S 10/2005 Tang et al.

(Continued)

OTHER PUBLICATIONS

Golfsmith 98, p. 72, #4157 TGI System Putter Heads.

(Continued)

Primary Examiner—Mitchell I Siegel

(74) *Attorney, Agent, or Firm*—Banner & Witcoff, Ltd.

(57) **CLAIM**

The ornamental design for a golf club head for a putter, as shown and described.

DESCRIPTION

FIG. 1 is a bottom perspective view of a golf club head for a putter showing our new design;

FIG. 2 is a front view thereof;

FIG. 3 is a rear view thereof;

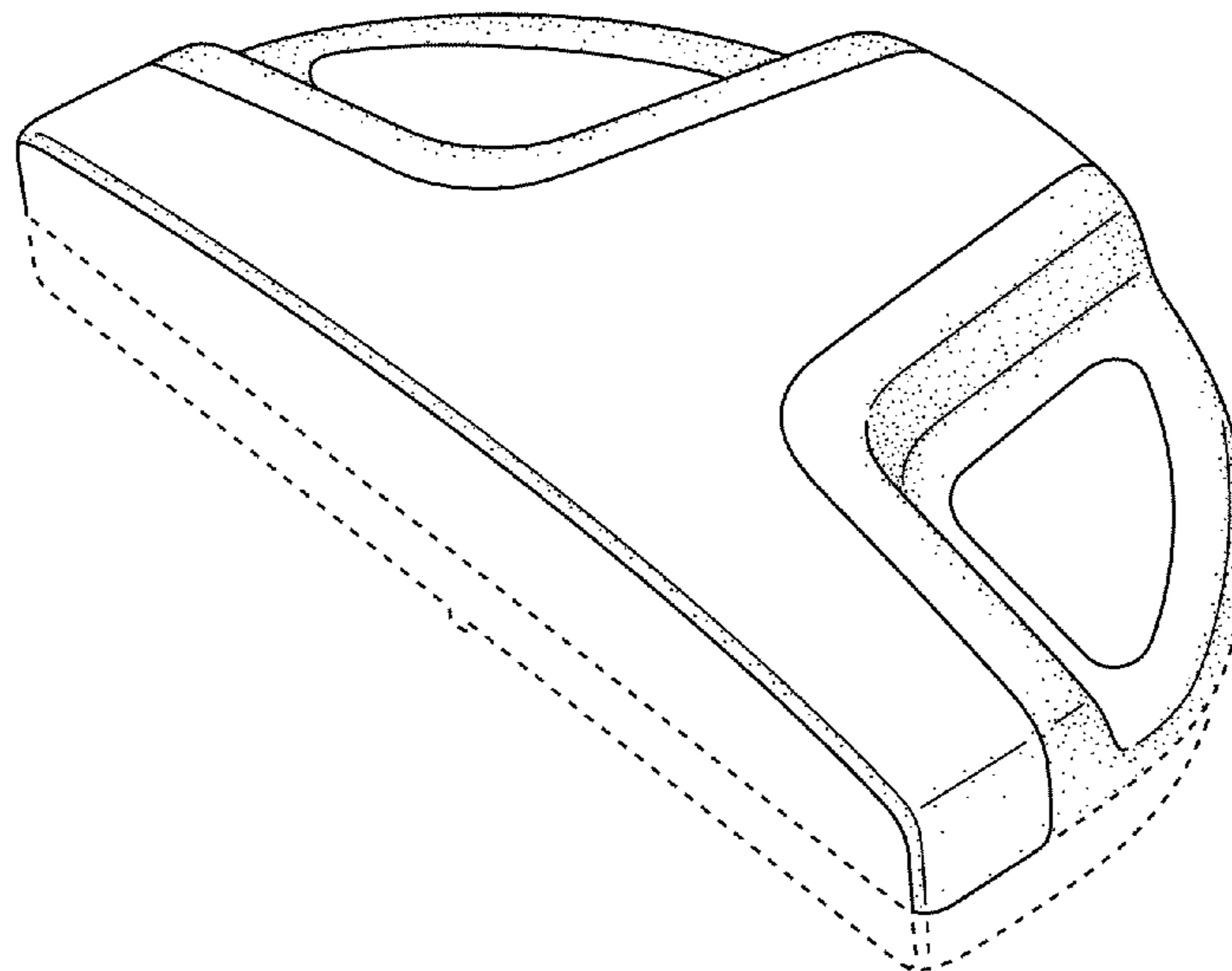
FIG. 4 is a toe end view thereof

FIG. 5 is a heel end view thereof; and,

FIG. 6 is a bottom plan view thereof.

The broken line immediately adjacent to the shaded area represents an unclaimed boundary of the design. The contrast in shading represents a contrast in color, texture and/or appearance. The broken line showing of the remainder of the golf club head for a putter is for illustrative purposes only and forms no part of the claimed design.

1 Claim, 3 Drawing Sheets



US D579,508 S

Page 2

U.S. PATENT DOCUMENTS

D513,048 S	12/2005	Garner et al.		D544,933 S	6/2007	Evans et al.
D515,647 S *	2/2006	Morgulis	D21/743	D545,385 S	6/2007	Tang et al.
D518,127 S	3/2006	Tang et al.		7,244,191 B2	7/2007	Tang et al.
D520,582 S *	5/2006	Zelnicek	D21/736	D548,295 S	8/2007	Jertson et al.
D520,583 S	5/2006	Rollinson et al.		D550,318 S	9/2007	Oldknow
D521,582 S	5/2006	Souza et al.		D553,211 S	10/2007	Harvell et al.
7,048,639 B2	5/2006	Grace		D554,213 S	10/2007	Tang et al.
D522,598 S	6/2006	Solheim et al.		D554,719 S	11/2007	Barez et al.
D523,502 S	6/2006	Jorgensen		D554,720 S	11/2007	Barez et al.
D523,504 S	6/2006	Tang		D557,361 S	12/2007	Rollinson
D524,395 S	7/2006	Madore et al.		D561,856 S	2/2008	Barez et al.
D524,397 S	7/2006	Madore et al.		D564,606 S	3/2008	Oldknow et al.
D527,433 S	8/2006	Hueber		D566,214 S	4/2008	Evans et al.
D528,619 S	9/2006	Tang et al.		D568,953 S	5/2008	Harbert et al.
D529,108 S	9/2006	Stites et al.		D569,460 S	5/2008	Walker et al.
D529,111 S	9/2006	Cleveland et al.		D569,461 S	5/2008	Morris
D530,761 S	10/2006	Evans et al.		D569,464 S	5/2008	Hettinger et al.
D531,688 S	11/2006	Frame et al.		D571,877 S	6/2008	Jones et al.
D532,067 S	11/2006	Soracco et al.		D571,879 S	6/2008	Jones et al.
D532,471 S	11/2006	Oldknow		D571,882 S	6/2008	Soracco
D533,609 S	12/2006	Moore et al.		D572,780 S	7/2008	Rollinson
D533,912 S	12/2006	Evans et al.		D572,789 S	7/2008	Stites et al.
D534,229 S	12/2006	Barez et al.		D574,911 S *	8/2008	Jones et al. D21/743
D534,599 S	1/2007	Barez et al.		D574,912 S *	8/2008	Jones et al. D21/743
D534,979 S	1/2007	Chau et al.		2006/0217215 A1	9/2006	Erickson et al.
D535,713 S	1/2007	Barez et al.		2007/0232409 A1	10/2007	Byrne
D537,135 S	2/2007	Rollinson et al.		2008/0028590 A1	2/2008	Jorgensen
D538,364 S	3/2007	Frame et al.		2008/0039228 A1	2/2008	Breier et al.
D538,368 S	3/2007	Rollinson et al.				
D538,866 S	3/2007	Kim et al.				
D540,897 S	4/2007	Oldknow et al.				
D541,362 S	4/2007	Oldknow				
D544,557 S	6/2007	Oldknow				

OTHER PUBLICATIONS

Austad's Spring 08, p. 24, Nike IC Series Putter #42937.
Edwin Watts Golf Internet, Putters, Callaway I-Triax Putter.
Edwin Watts Golf Internet, Putters, Nike IC Series 20-15 Moi Putters.

* cited by examiner

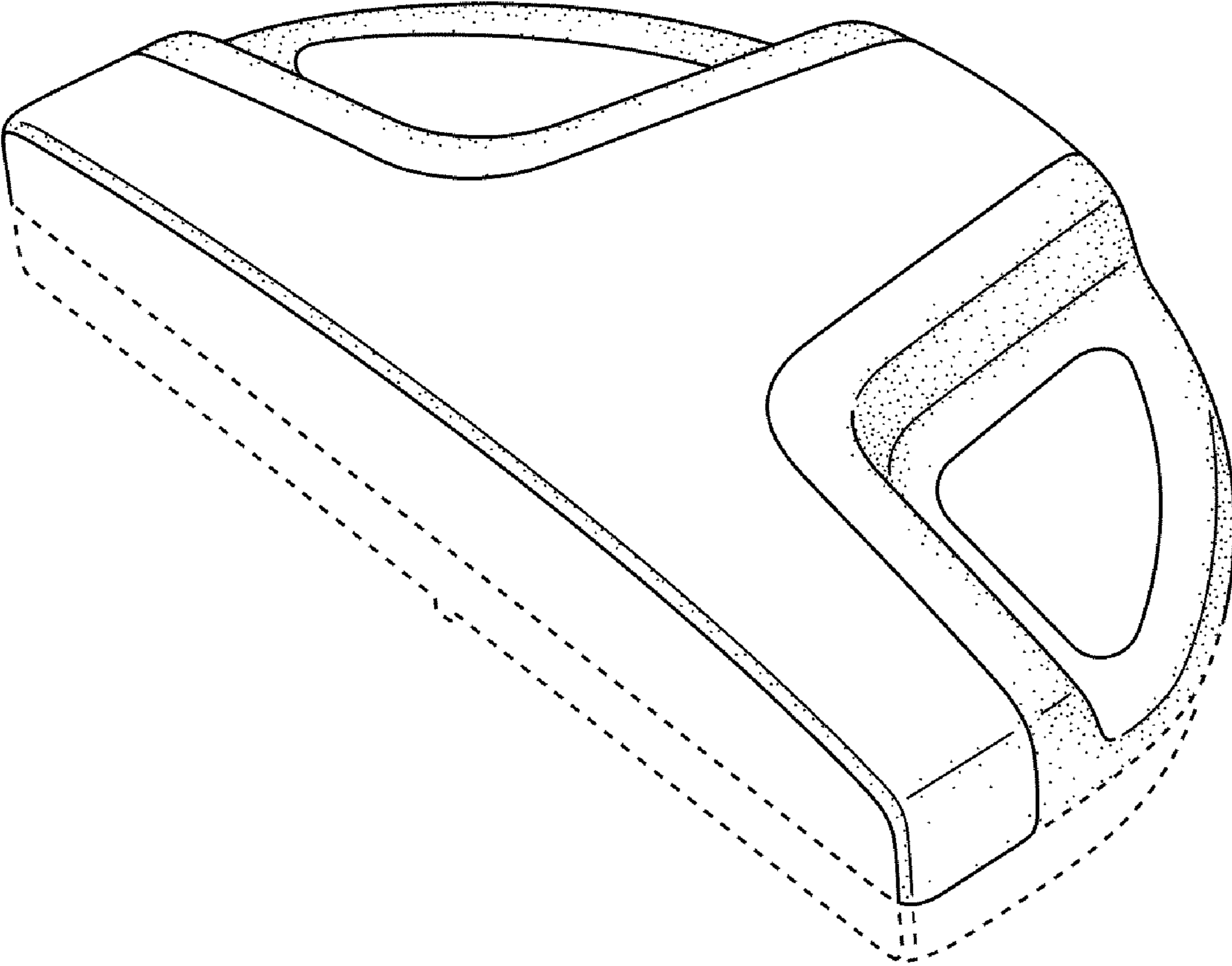


FIG. 1

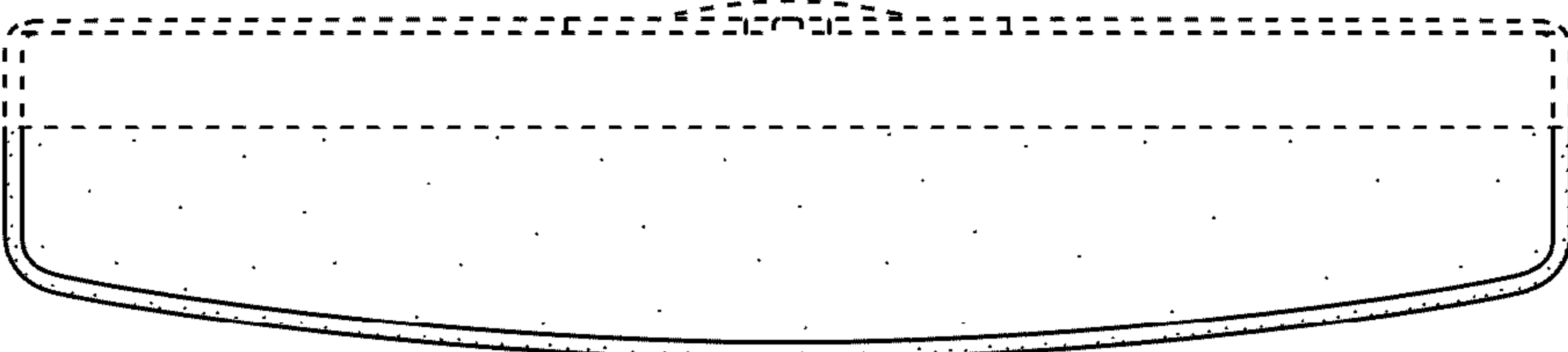


FIG. 2

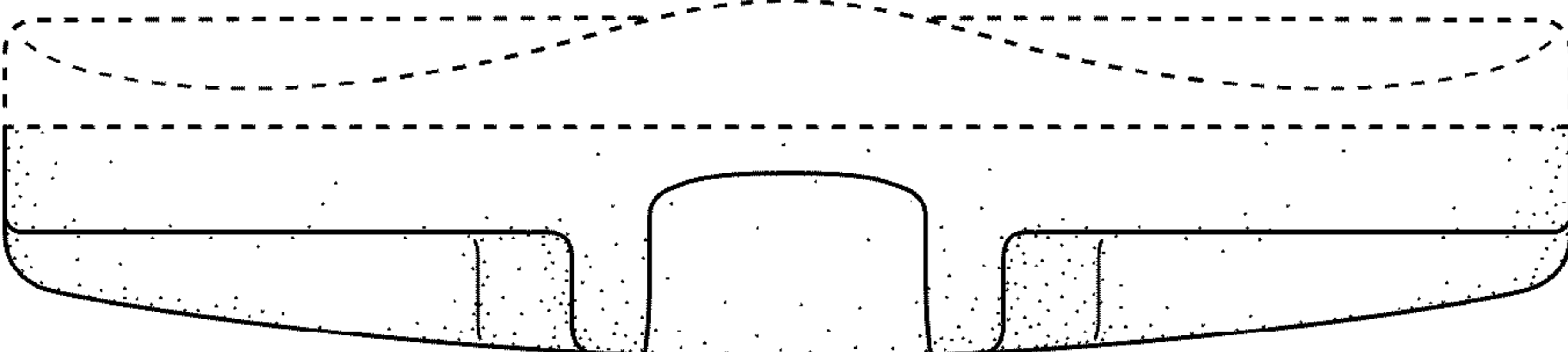


FIG. 3

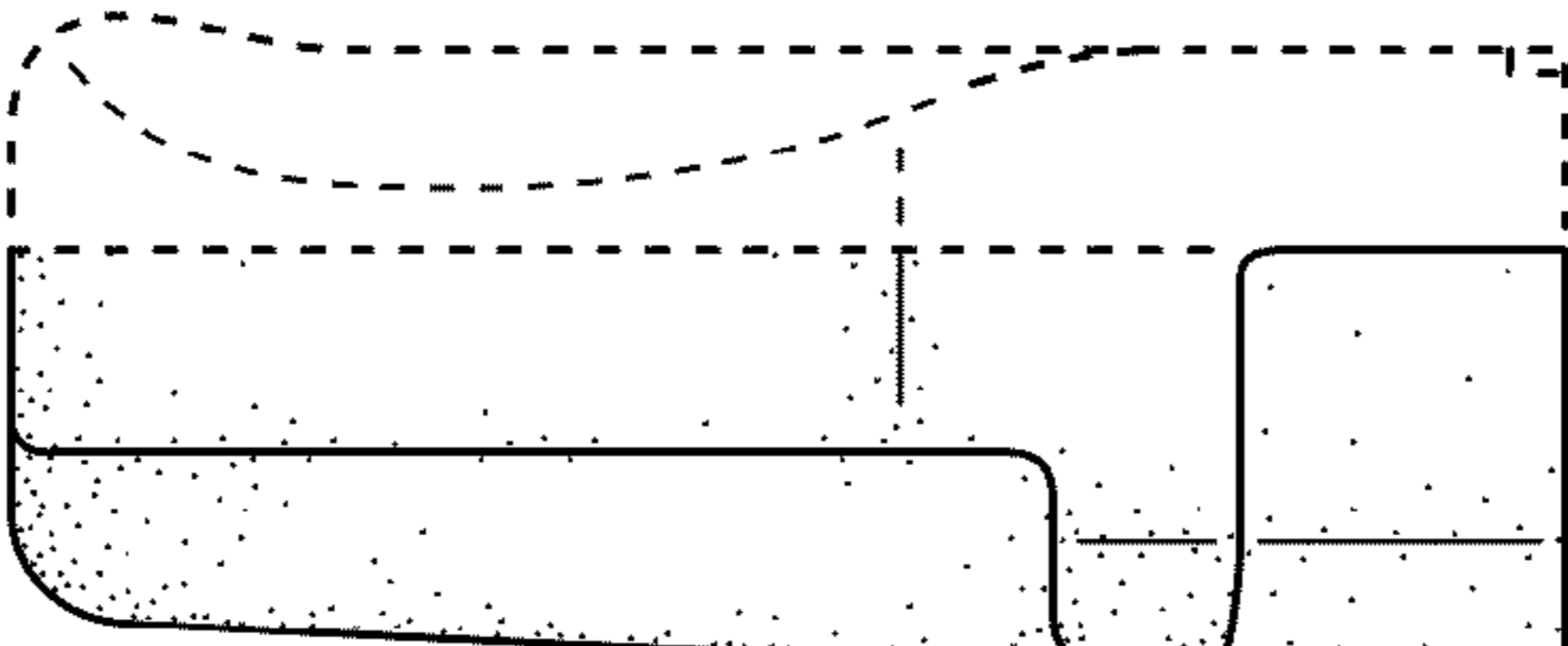


FIG. 4

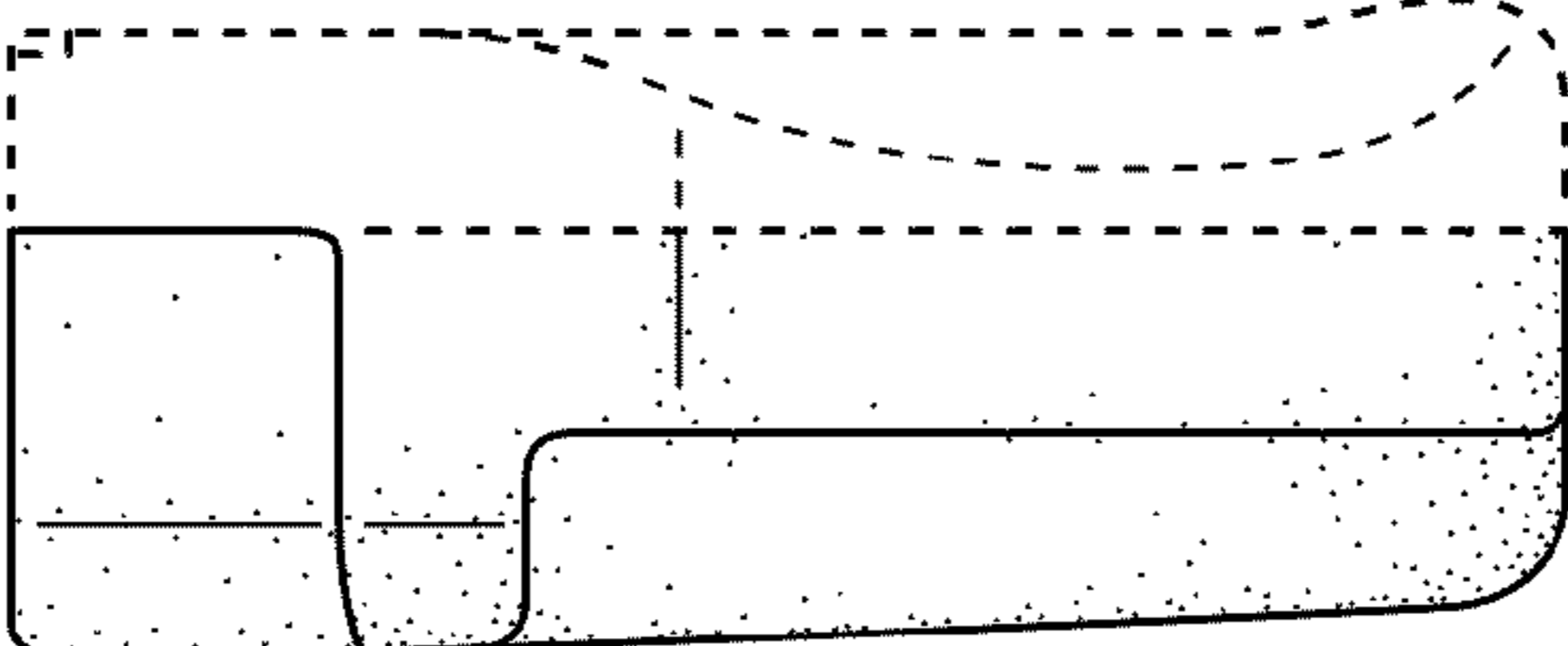


FIG. 5

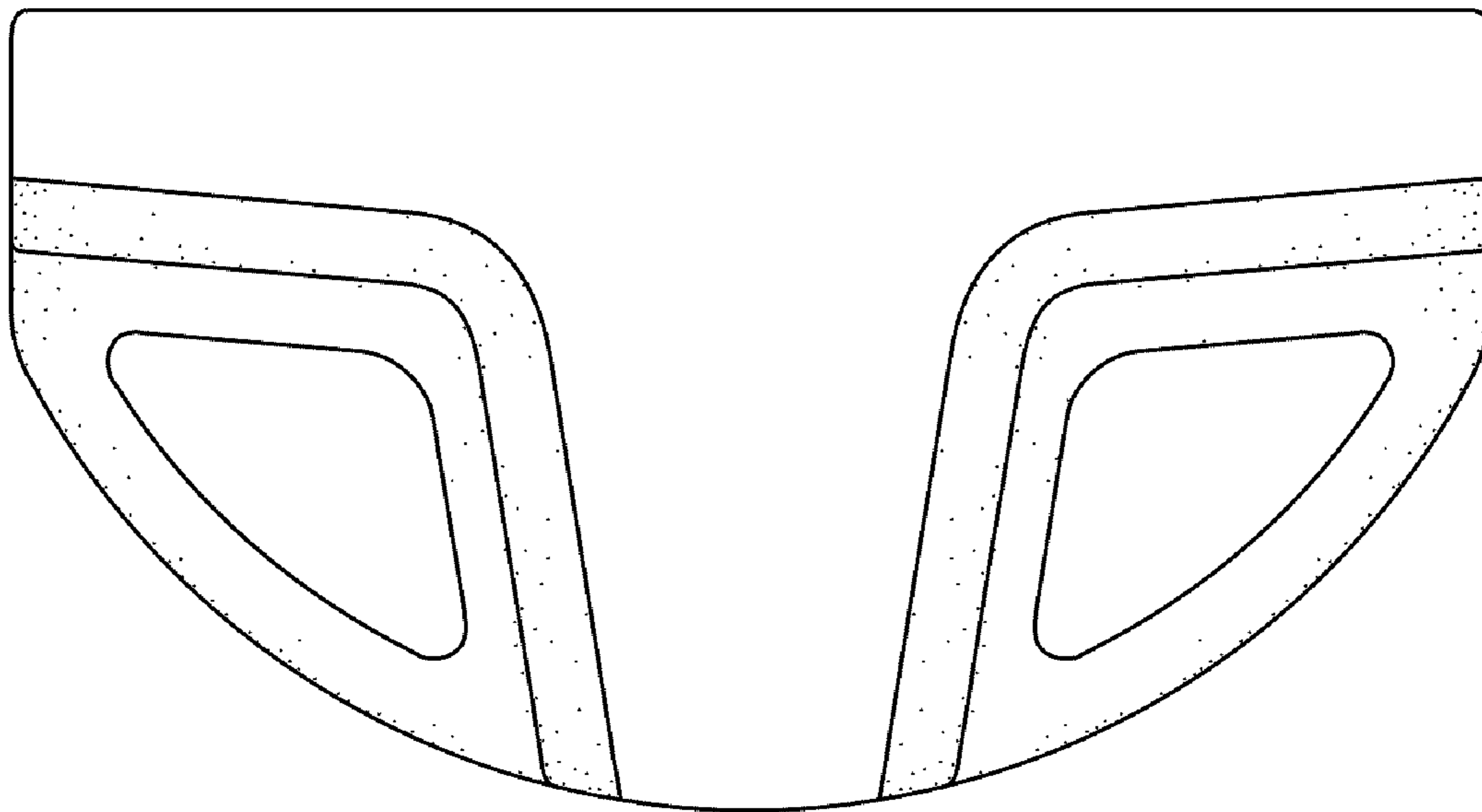


FIG. 6