



US00D579505S

(12) **United States Design Patent**
Jones

(10) **Patent No.:** **US D579,505 S**
(45) **Date of Patent:** **** Oct. 28, 2008**

(54) **GOLF PUTTER HEAD**

(75) Inventor: **David D. Jones**, Glendale, AZ (US)

(73) Assignee: **Karsten Manufacturing Corporation**,
Phoenix, AZ (US)

(**) Term: **14 Years**

(21) Appl. No.: **29/283,348**

(22) Filed: **Aug. 10, 2007**

(51) **LOC (8) Cl.** **21-02**

(52) **U.S. Cl.** **D21/736**

(58) **Field of Classification Search** D21/736-746;
473/324-331, 340-341, 251-256
See application file for complete search history.

(56) **References Cited**

U.S. PATENT DOCUMENTS

D447,203 S	8/2001	Sanchez et al.	
D524,887 S *	7/2006	Jones et al.	D21/736
D525,327 S *	7/2006	Jones et al.	D21/736
D525,328 S *	7/2006	Solheim et al.	D21/736
D525,329 S *	7/2006	Jones et al.	D21/736
D527,777 S *	9/2006	Solheim et al.	D21/736
D547,403 S *	7/2007	Serrano et al.	D21/736
D559,930 S *	1/2008	Cameron	D21/746
D566,212 S *	4/2008	Bardha	D21/736
D571,877 S *	6/2008	Jones et al.	D21/736
D571,878 S *	6/2008	Jones et al.	D21/736
D571,879 S *	6/2008	Jones et al.	D21/736

OTHER PUBLICATIONS

David D. Jones, et al., "Golf Putter Head," U.S. Appl. No. 29/282,458, filed Jul. 20, 2007.

David D. Jones, et al., "Golf Putter Head," U.S. Appl. No. 29/282,459, filed Jul. 20, 2007.

David D. Jones, et al., "Golf Putter Head," U.S. Appl. No. 29/282,461, filed Jul. 20, 2007.

* cited by examiner

Primary Examiner—Mitchell I Siegel

(57) **CLAIM**

The ornamental design for a golf putter head, as shown and described.

DESCRIPTION

FIG. 1 is a top perspective view of an example golf putter head;

FIG. 2 is a bottom perspective view of the golf putter head of FIG. 1;

FIG. 3 is a front elevational view of the golf putter head of FIG. 1;

FIG. 4 is a rear elevational view of the golf putter head of FIG. 1;

FIG. 5 is a top view of the golf putter head of FIG. 1;

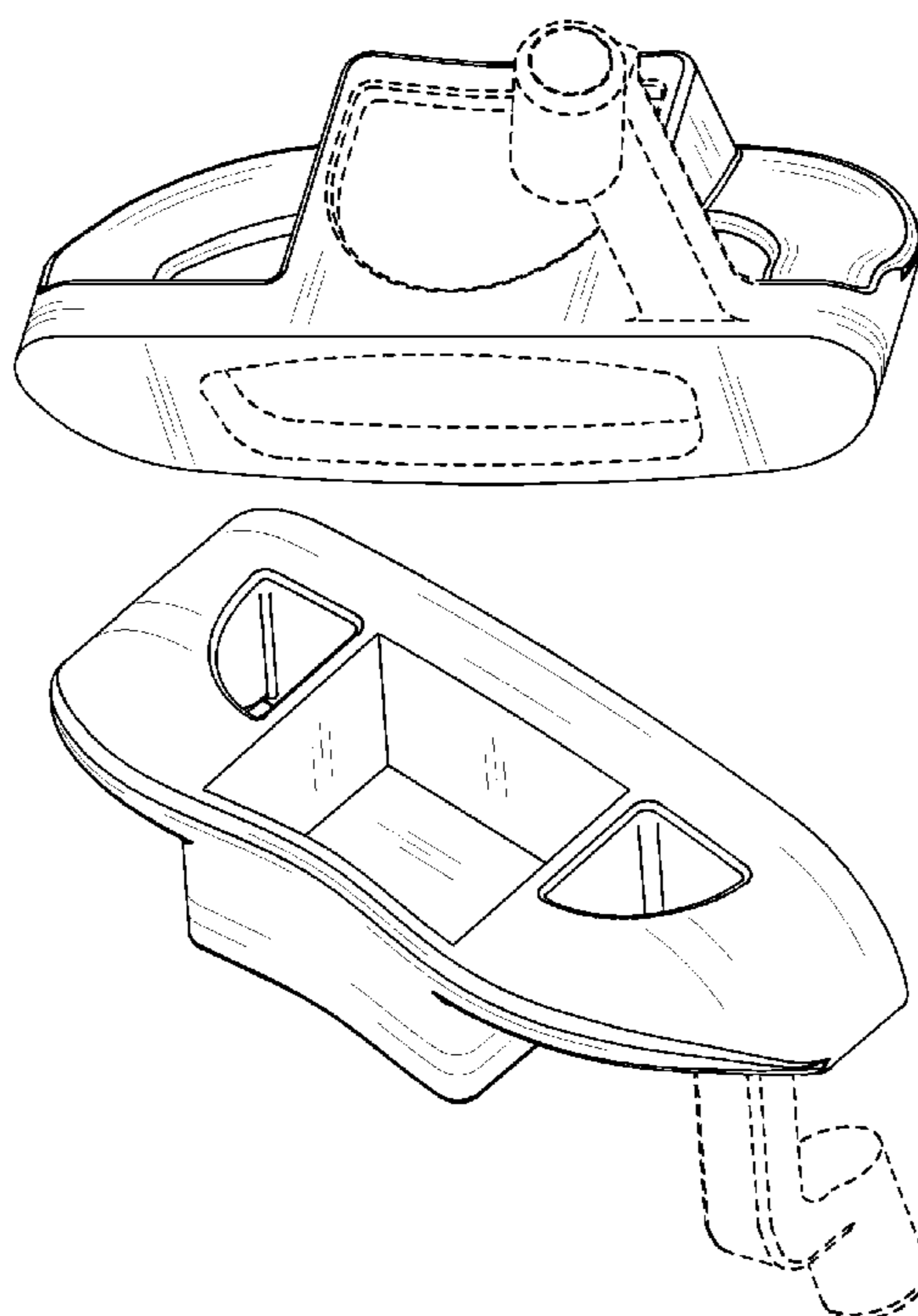
FIG. 6 is a bottom view of the golf putter head of FIG. 1;

FIG. 7 is a heel end view of the golf putter head of FIG. 1; and,

FIG. 8 is a toe end view of the golf putter head of FIG. 1.

The broken lines shown in FIGS. 1, 2, 3, 4, 5, 6, 7 and 8 are for illustrative purposes only and form no part of the claimed design.

1 Claim, 4 Drawing Sheets



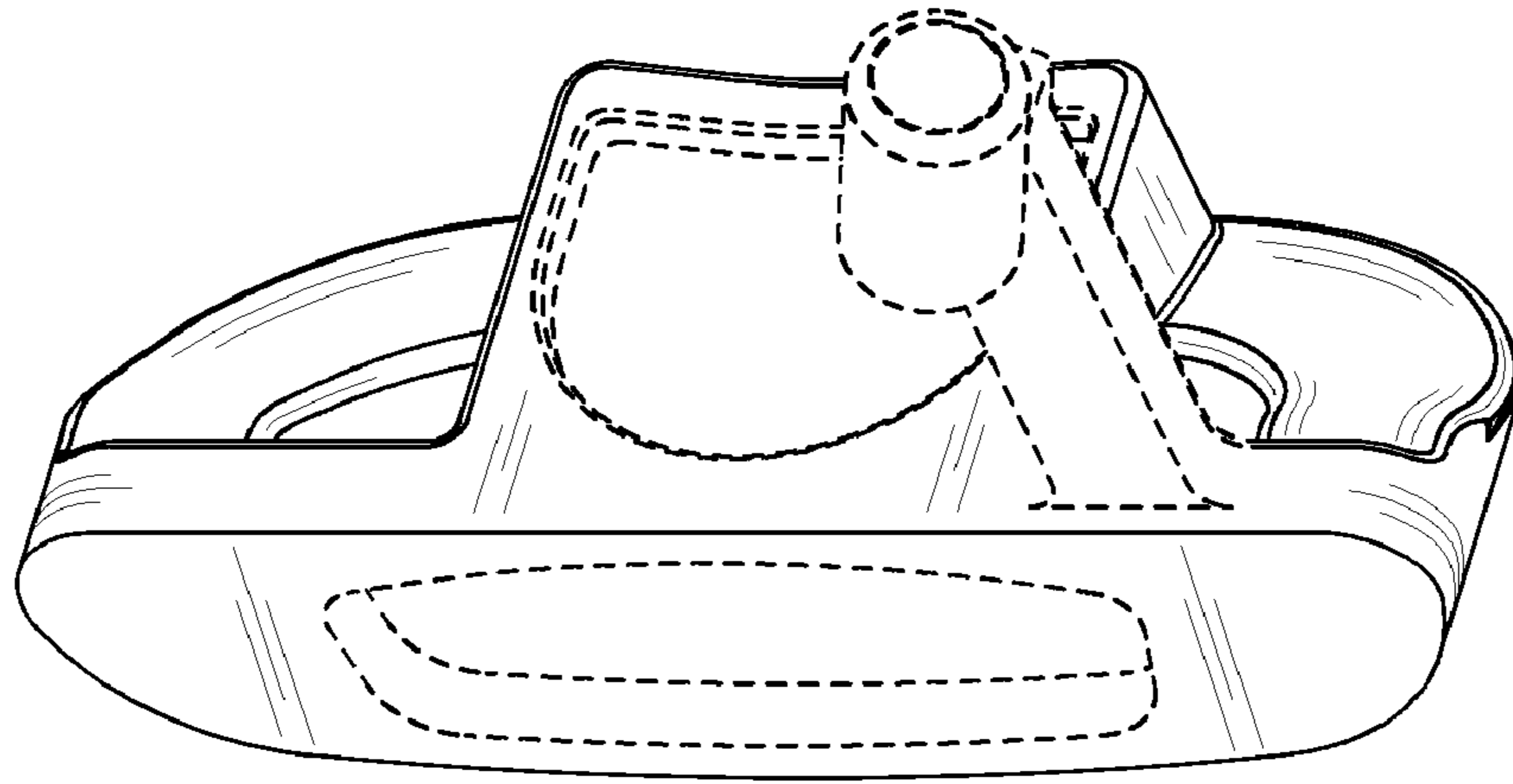


FIG. 1

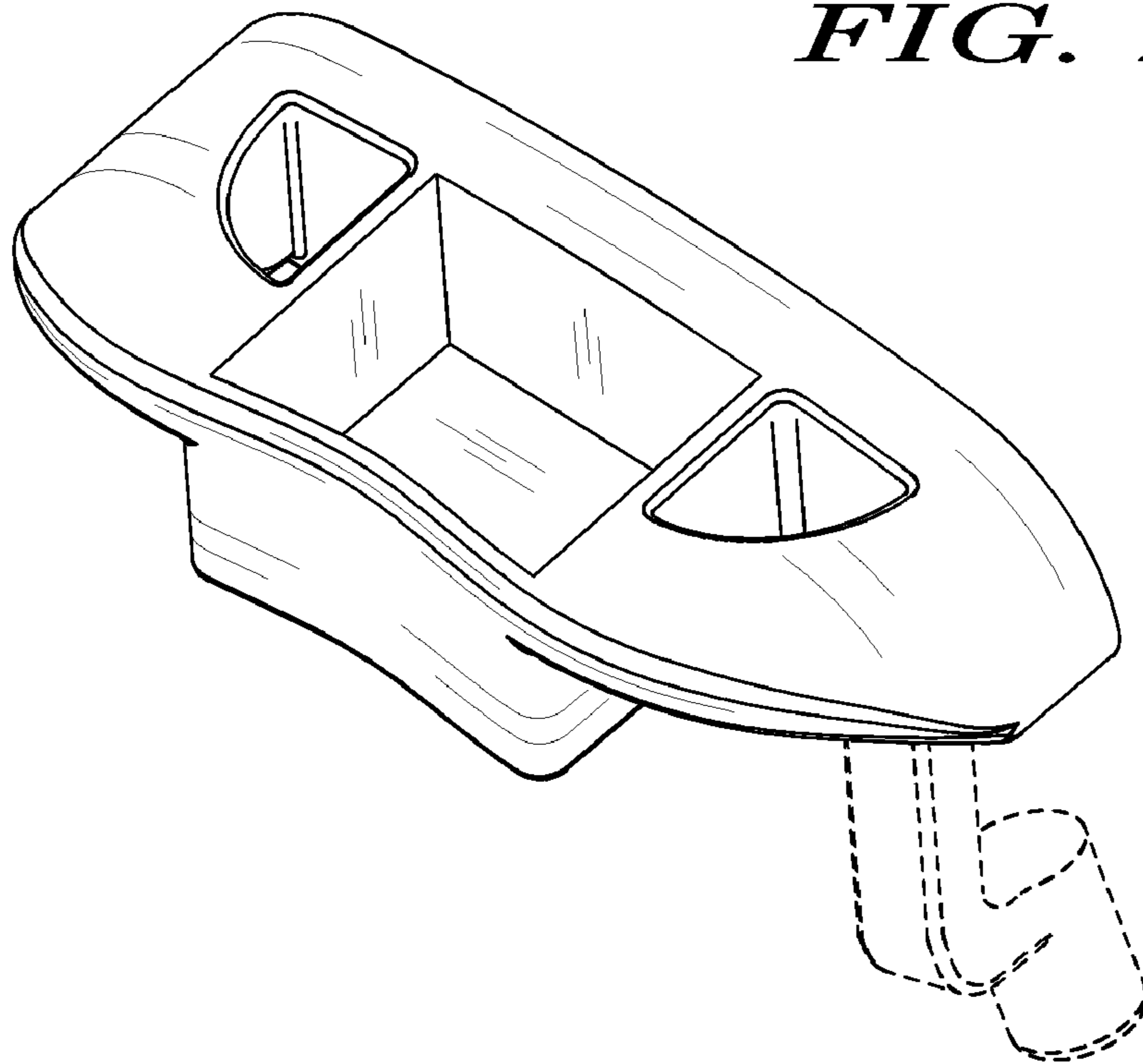


FIG. 2

FIG. 3

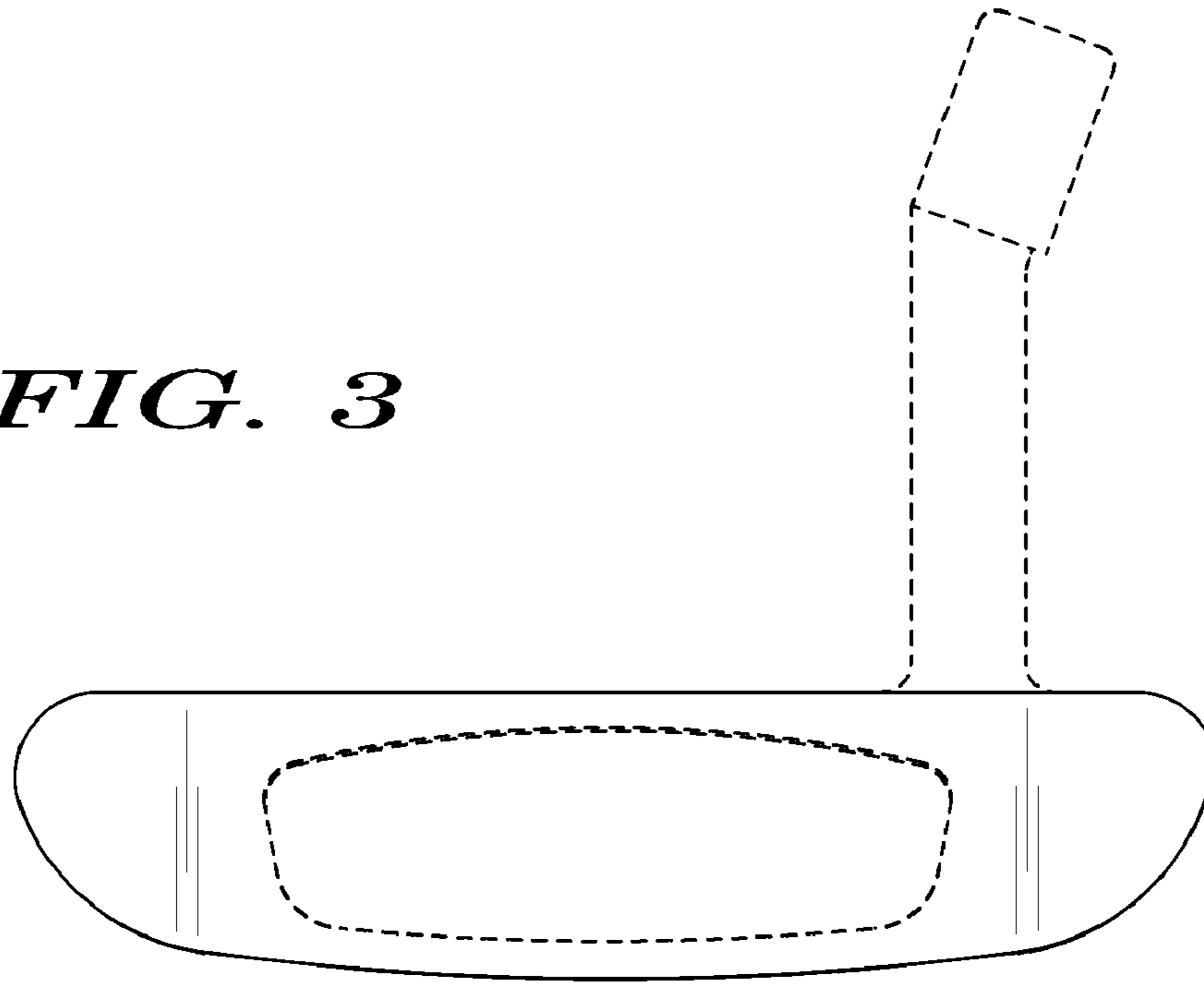
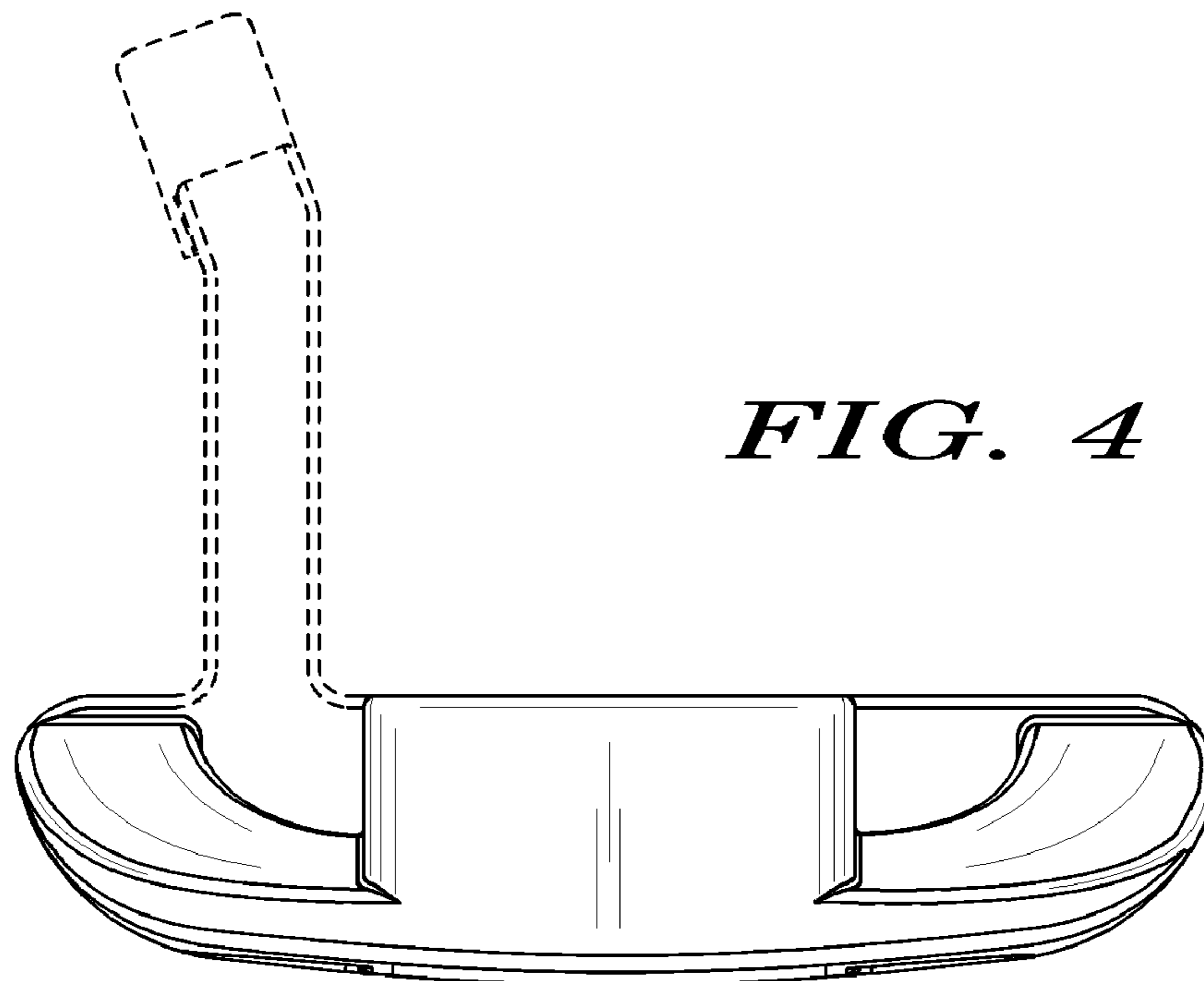


FIG. 4



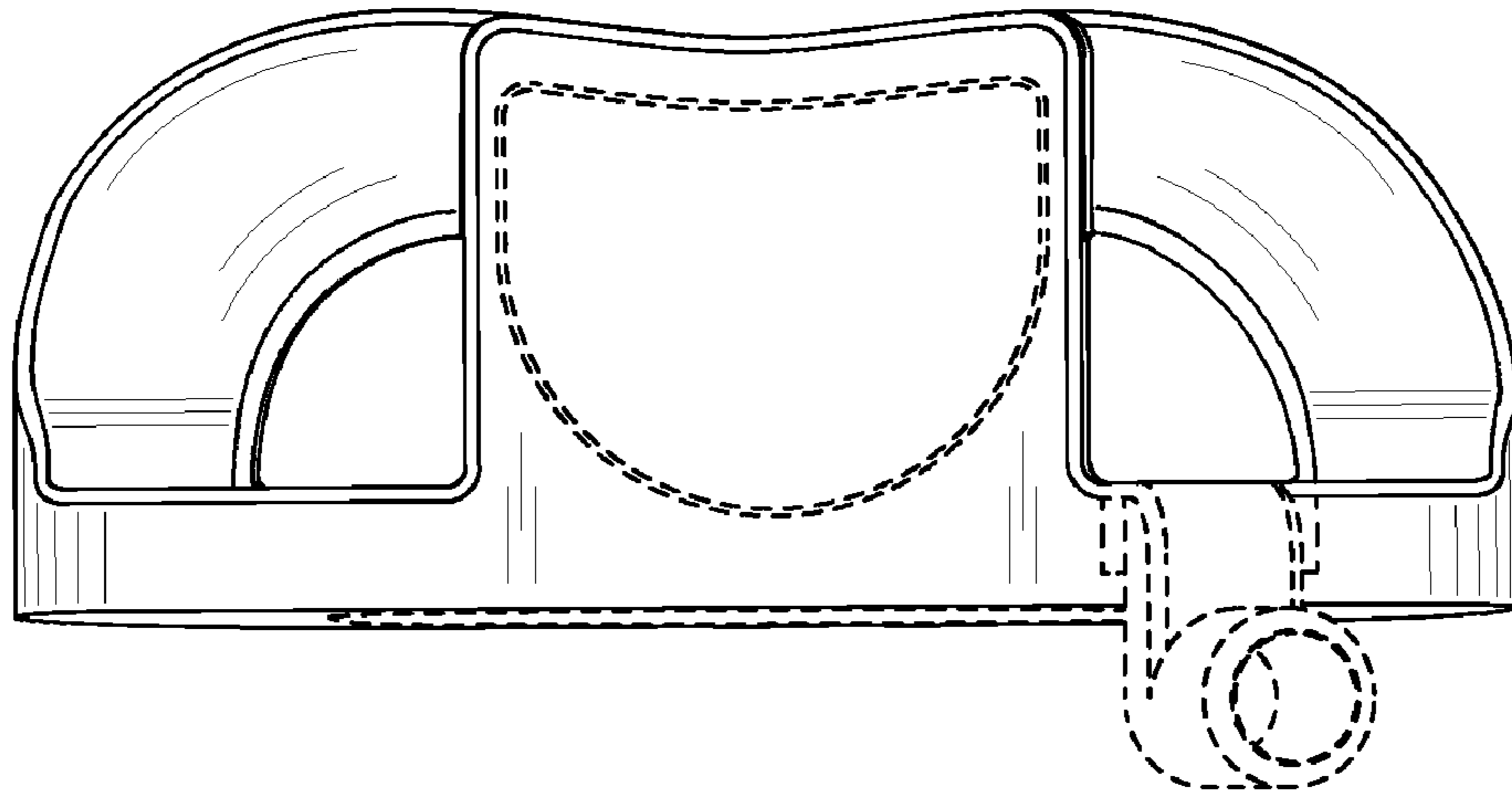


FIG. 5

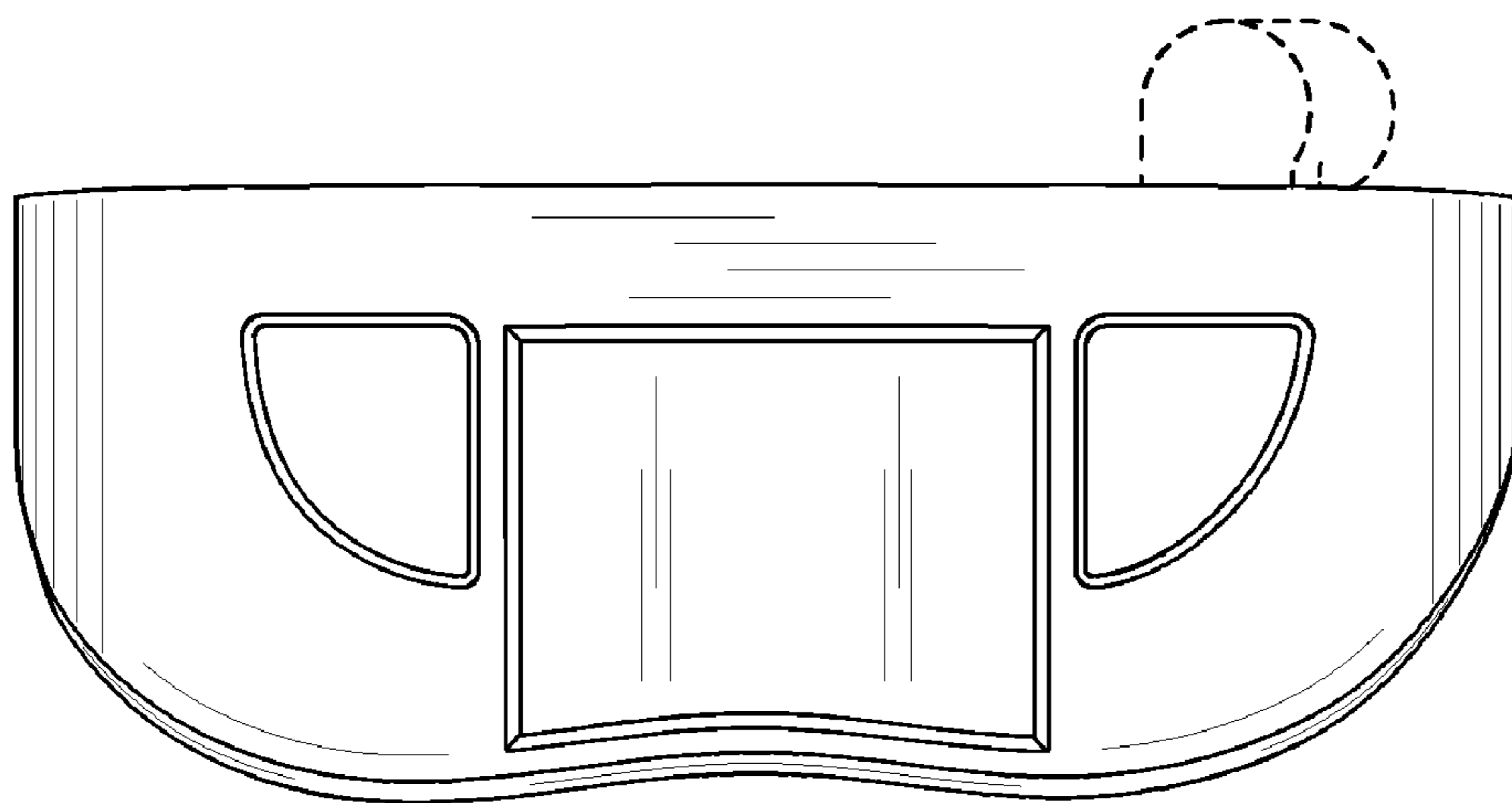


FIG. 6

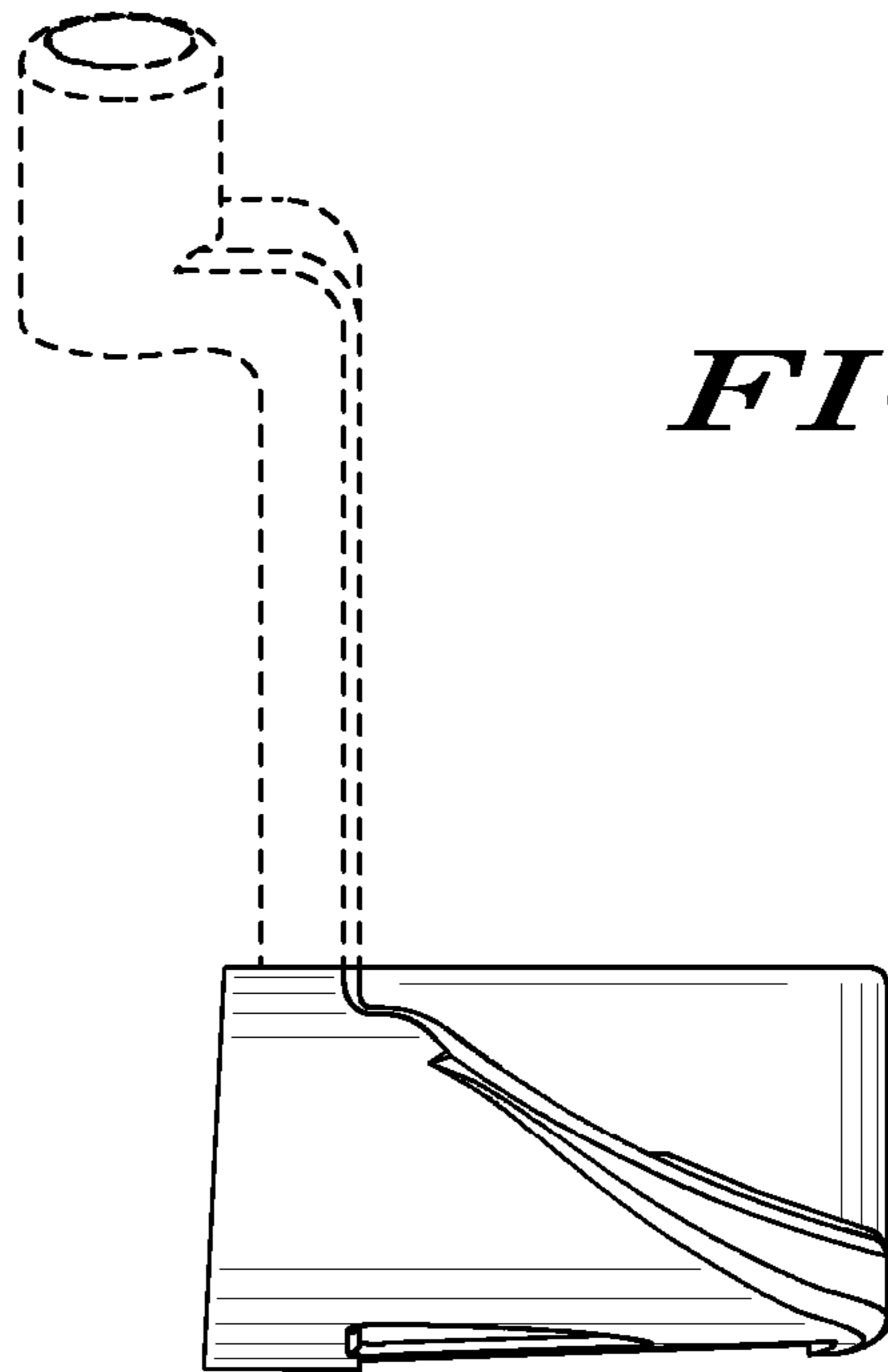


FIG. 7

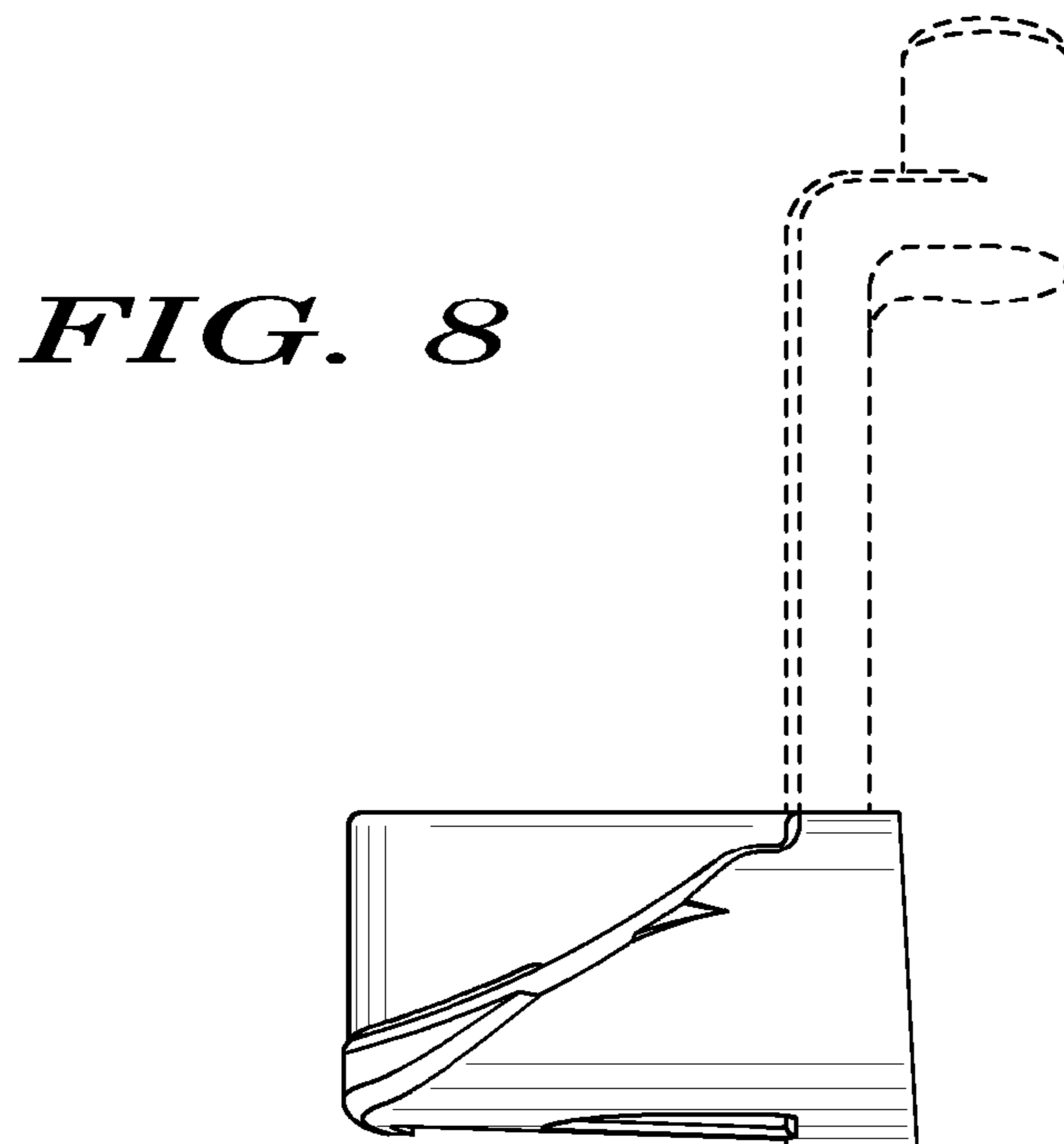


FIG. 8