



US00D579503S

(12) **United States Design Patent**
Hauser et al.

(10) **Patent No.:** **US D579,503 S**
(45) **Date of Patent:** **** Oct. 28, 2008**

(54) **PUSH-UP EXERCISE DEVICE**

(75) Inventors: **Stephen G. Hauser**, Tarzana, CA (US);
Mark B. Friedman, Simi Valley, CA
(US); **Alden M. Mills**, Kentfield, CA
(US)

(73) Assignee: **Perfect Pushup, LLC**, Mill Valley, CA
(US)

(**) Term: **14 Years**

(21) Appl. No.: **29/304,058**

(22) Filed: **Feb. 24, 2008**

Related U.S. Application Data

(63) Continuation of application No. 11/996,152, filed as
application No. PCT/US07/72394 on Jun. 28, 2007.

(51) **LOC (8) Cl.** **21-02**

(52) **U.S. Cl.** **D21/662**

(58) **Field of Classification Search** D21/662,
D21/684, 686; 482/141, 44, 91, 92
See application file for complete search history.

(56) **References Cited**

U.S. PATENT DOCUMENTS

4,351,525	A *	9/1982	Rozenblad	482/141
4,768,778	A *	9/1988	Thomas, Jr.	482/141
5,358,463	A *	10/1994	Fuentes	482/141
D364,902	S *	12/1995	Fleming	D21/686
5,632,707	A *	5/1997	Daniel et al.	482/8
D479,289	S *	9/2003	Turner	D21/662

D523,493	S *	6/2006	Horton	D21/662
7,377,888	B2 *	5/2008	Godbold	482/141
2006/0014615	A1 *	1/2006	Godbold	482/141
2006/0035771	A1 *	2/2006	Gant	482/141
2007/0184951	A1 *	8/2007	James et al.	482/141

* cited by examiner

Primary Examiner—Philip S Hyder

(74) *Attorney, Agent, or Firm*—Charter Advisory Partners,
LLC

(57) **CLAIM**

The ornamental design for a push-up exercise device, as
shown and described.

DESCRIPTION

FIG. 1 is a perspective view of an exemplary embodiment of
a push-up exercise device showing our new design.

FIG. 2 is a top plan view thereof.

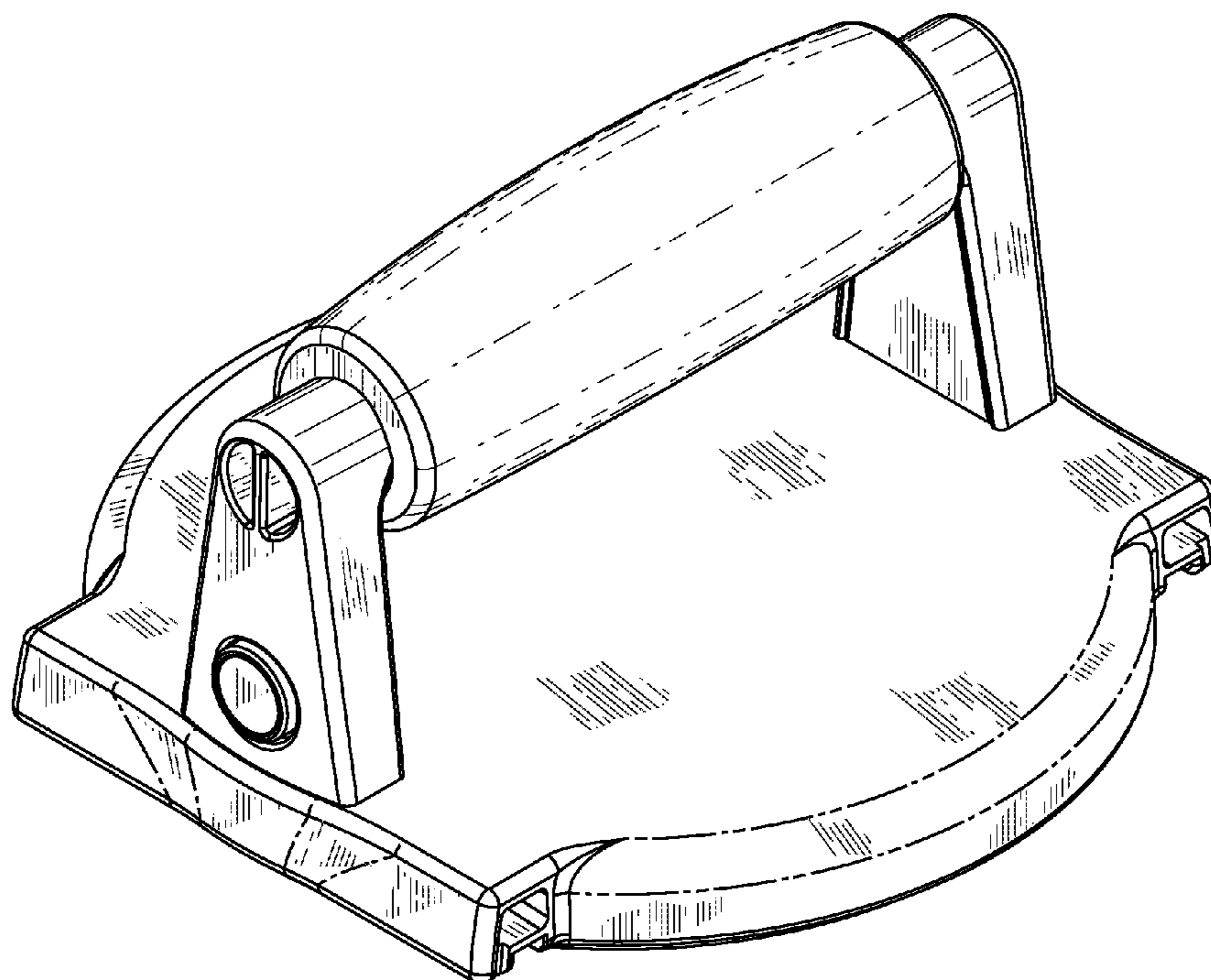
FIG. 3 is a right side elevational view thereof, the left side
elevational view being a mirror image of the right side eleva-
tional view and therefore not illustrated.

FIG. 4 is a bottom plan view thereof; and,

FIG. 5 is a front elevational view thereof, the rear elevational
view being a mirror image of the front elevational view and
therefore not illustrated.

Any broken lines which may be shown in the views are for
illustrative purposes only, and form no part of the claimed
invention.

1 Claim, 3 Drawing Sheets



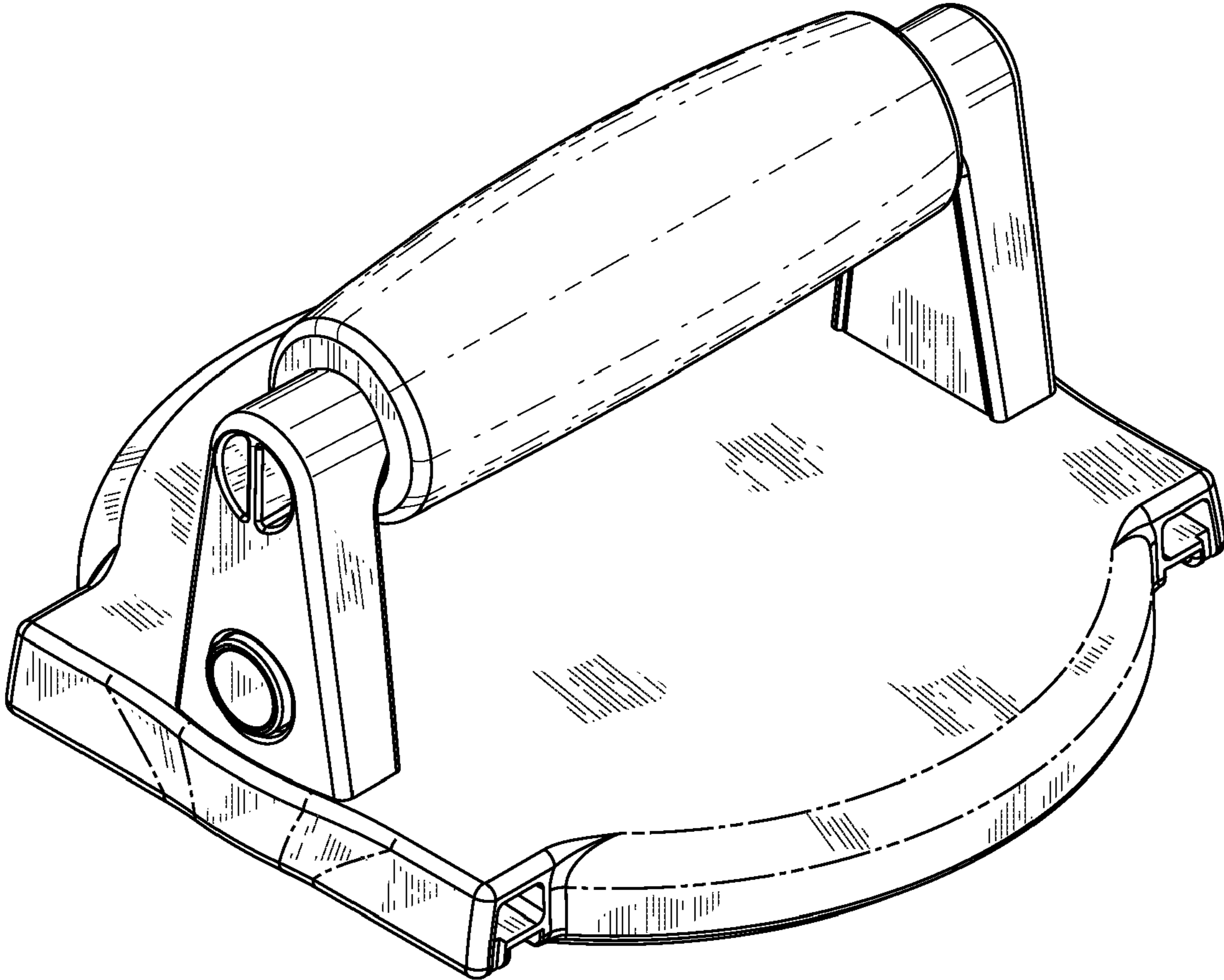


FIG. 1

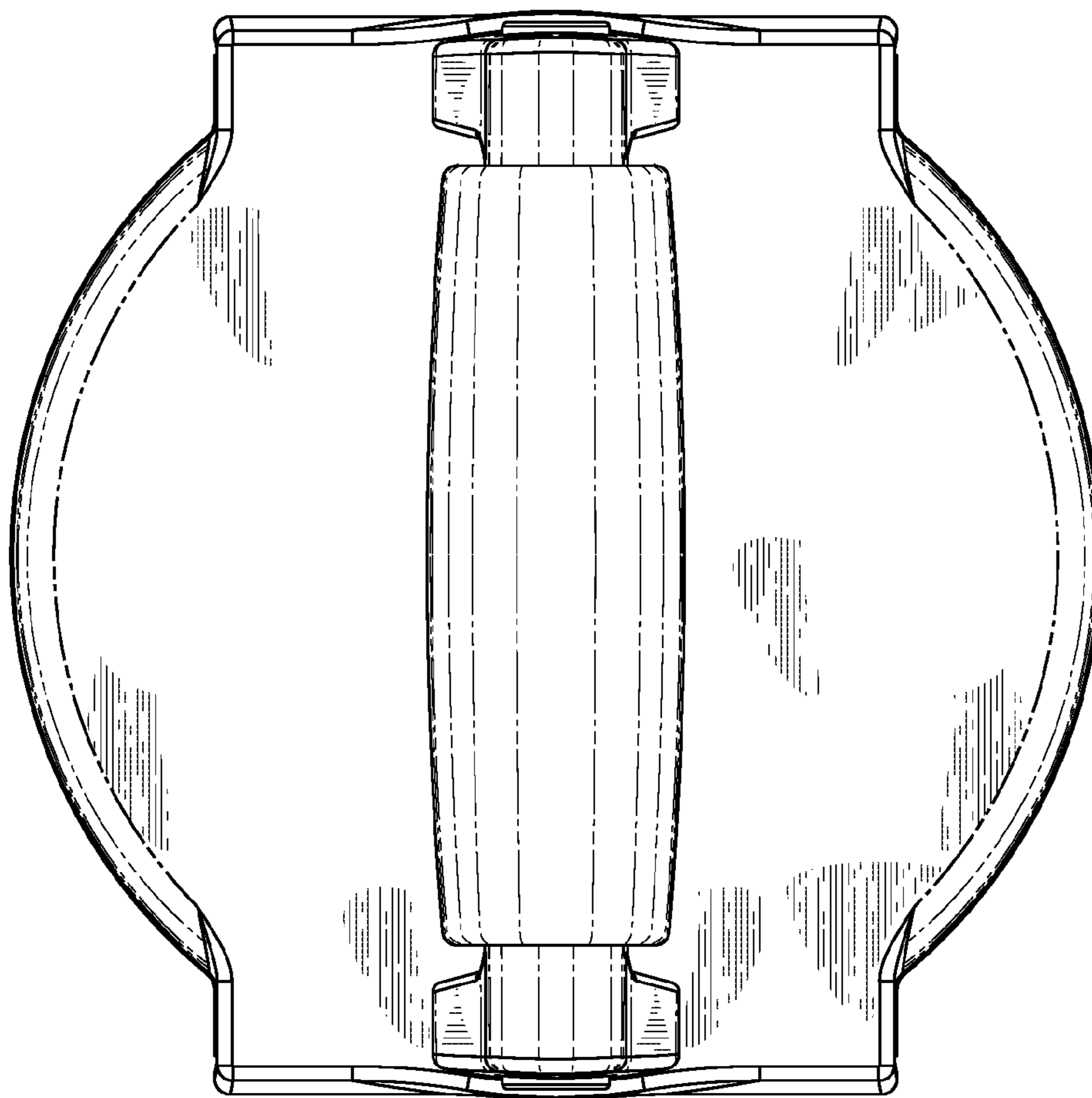


FIG. 2

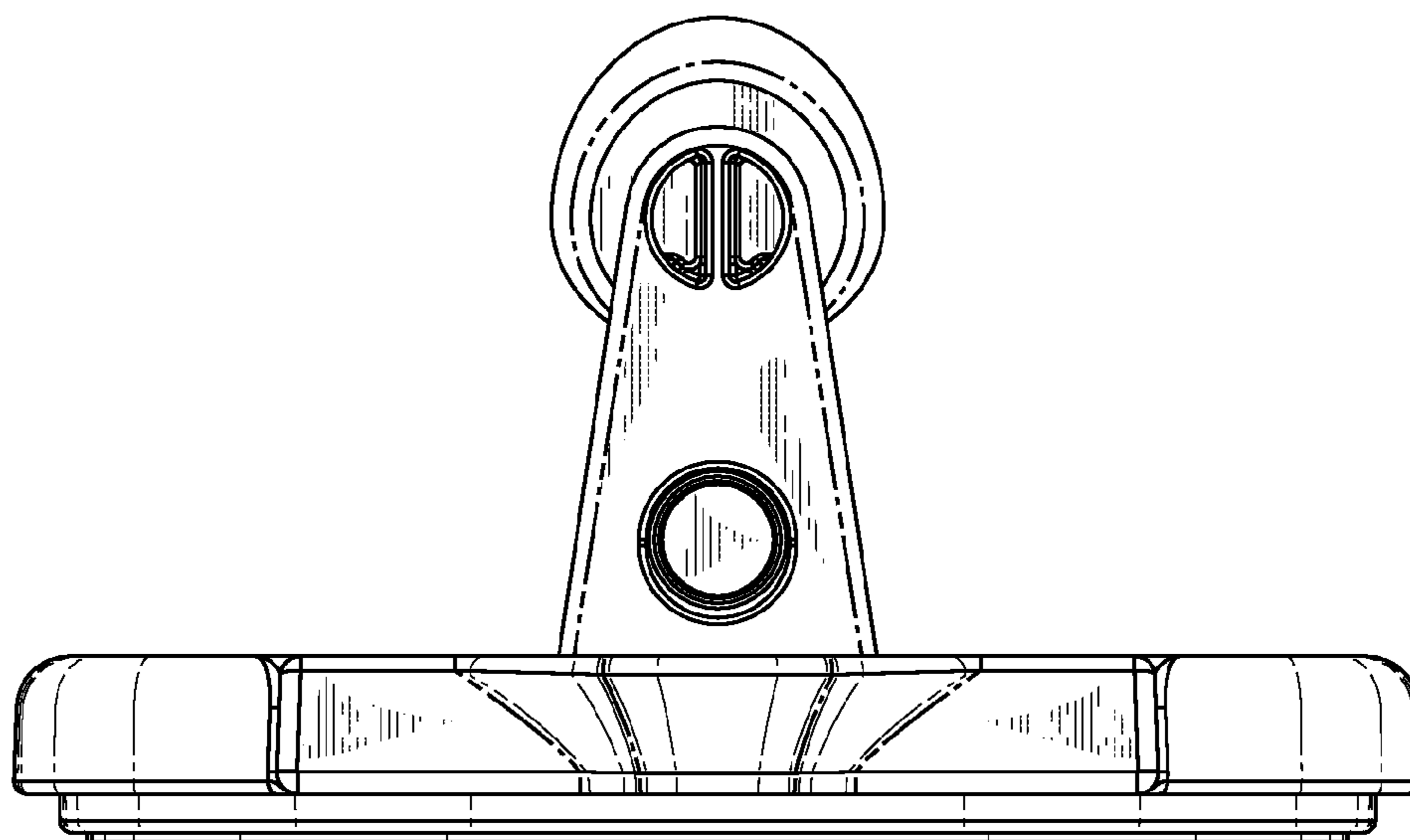


FIG. 3

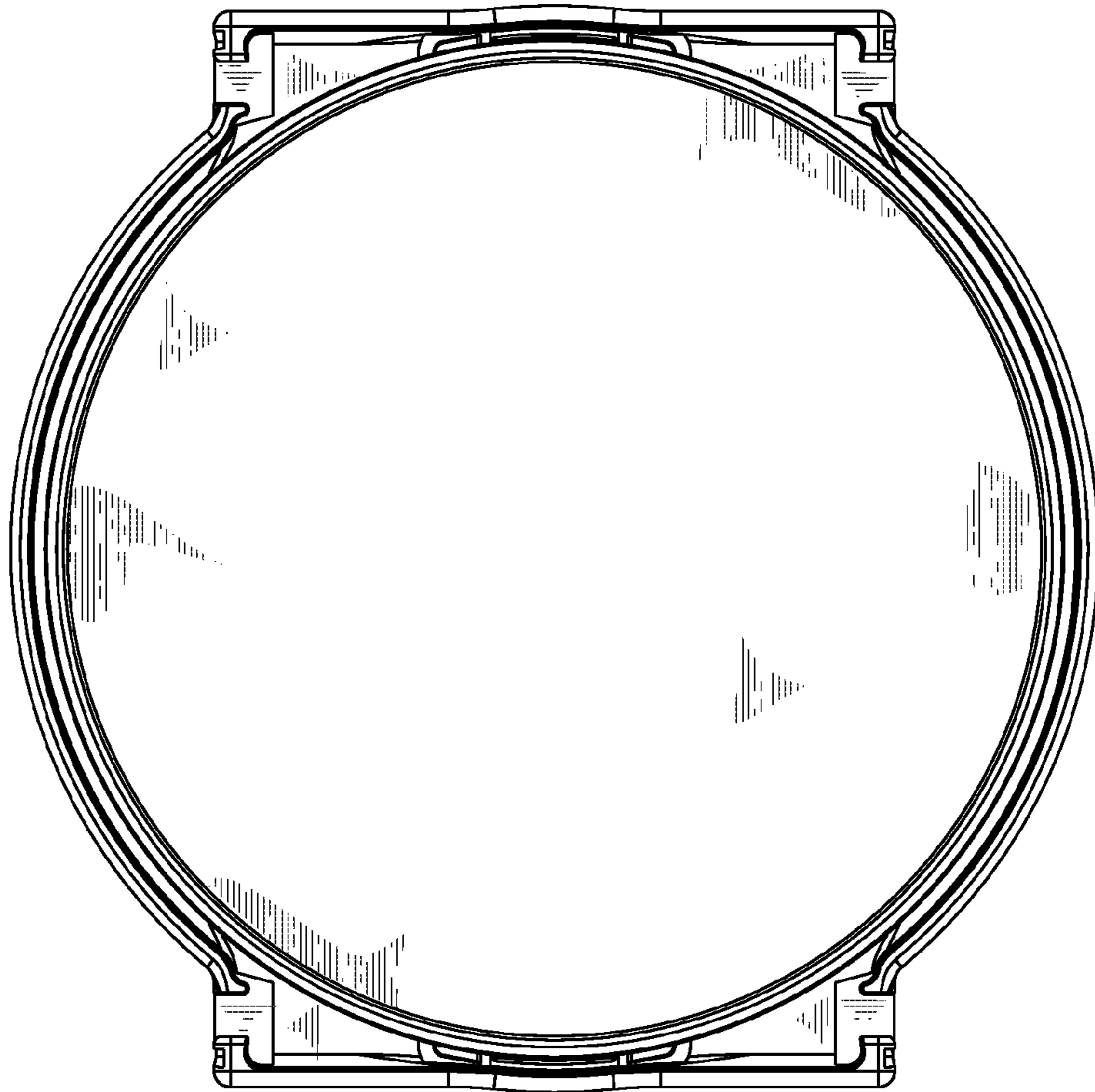


FIG. 4

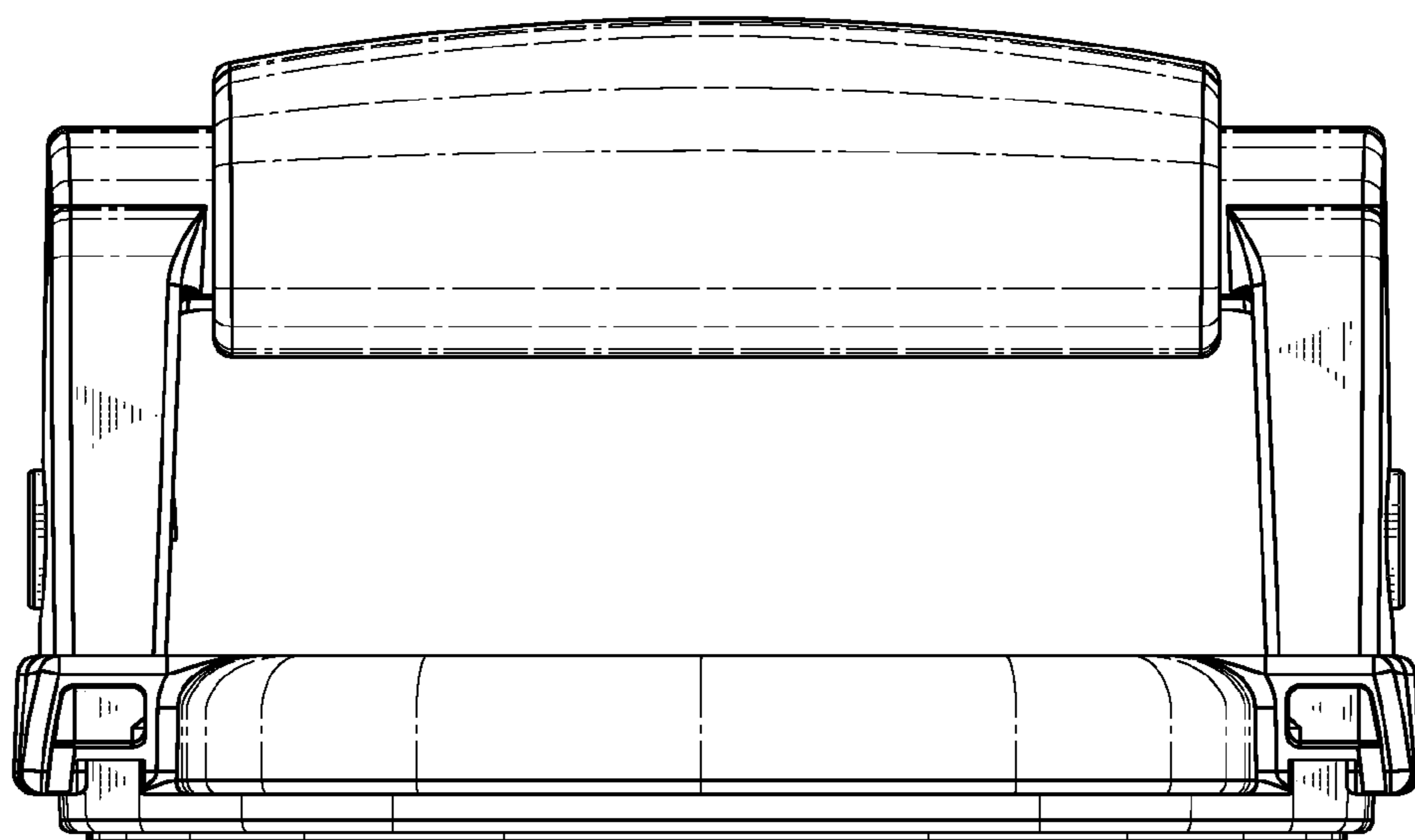


FIG. 5