

US00D579502S

(12) **United States Design Patent**
Hourdeaux

(10) **Patent No.:** **US D579,502 S**
(45) **Date of Patent:** **** Oct. 28, 2008**

(54) **CHILD'S RIDE-ON TOY SEAT**

(75) Inventor: **Eric Hourdeaux**, Guangdong (CN)

(73) Assignee: **Okiedog Limited**, Tsim Sha Tsui East, Hong Kong (CN)

(**) Term: **14 Years**

(21) Appl. No.: **29/303,877**

(22) Filed: **Feb. 19, 2008**

(51) **LOC (8) Cl.** **21-01**

(52) **U.S. Cl.** **D21/426**

(58) **Field of Classification Search** D21/412,
D21/414, 419, 423-428, 431-435; D12/1,
D12/107, 110-114, 129, 130, 133; 280/87.01,
280/87.021, 87.05, 87.051, 47.17, 47.25,
280/47.34, 47.38, 47.4, 827, 828, 29, 200,
280/263, 270, 282, 288.4, 291, 293; 297/5;
482/68

See application file for complete search history.

(56) **References Cited**

U.S. PATENT DOCUMENTS

D154,323 S *	6/1949	Reed	D21/412
D208,922 S *	10/1967	Grudoski	D21/412
D214,927 S *	8/1969	Hill	D21/412
D324,837 S *	3/1992	Allsop et al.	D12/119
D470,083 S *	2/2003	Wu	D12/112

D485,513 S *	1/2004	de Oliveira	D12/112
D497,958 S *	11/2004	Campbell	D21/426
D532,833 S *	11/2006	Cline	D21/414
D566,199 S *	4/2008	Wiebenga et al.	D21/419

* cited by examiner

Primary Examiner—Holly H. Baynham

Assistant Examiner—Cynthia M Chin

(74) *Attorney, Agent, or Firm*—Greenberg Traurig LLP;
Bradley D. Blanche

(57) **CLAIM**

The ornamental design for a child's ride-on toy seat, as shown and described.

DESCRIPTION

FIG. 1 is a top front perspective view of a child's ride-on toy seat showing my novel design;

FIG. 2 is a left side view thereof; the right side view being a mirror image thereof;

FIG. 3 is a front view thereof;

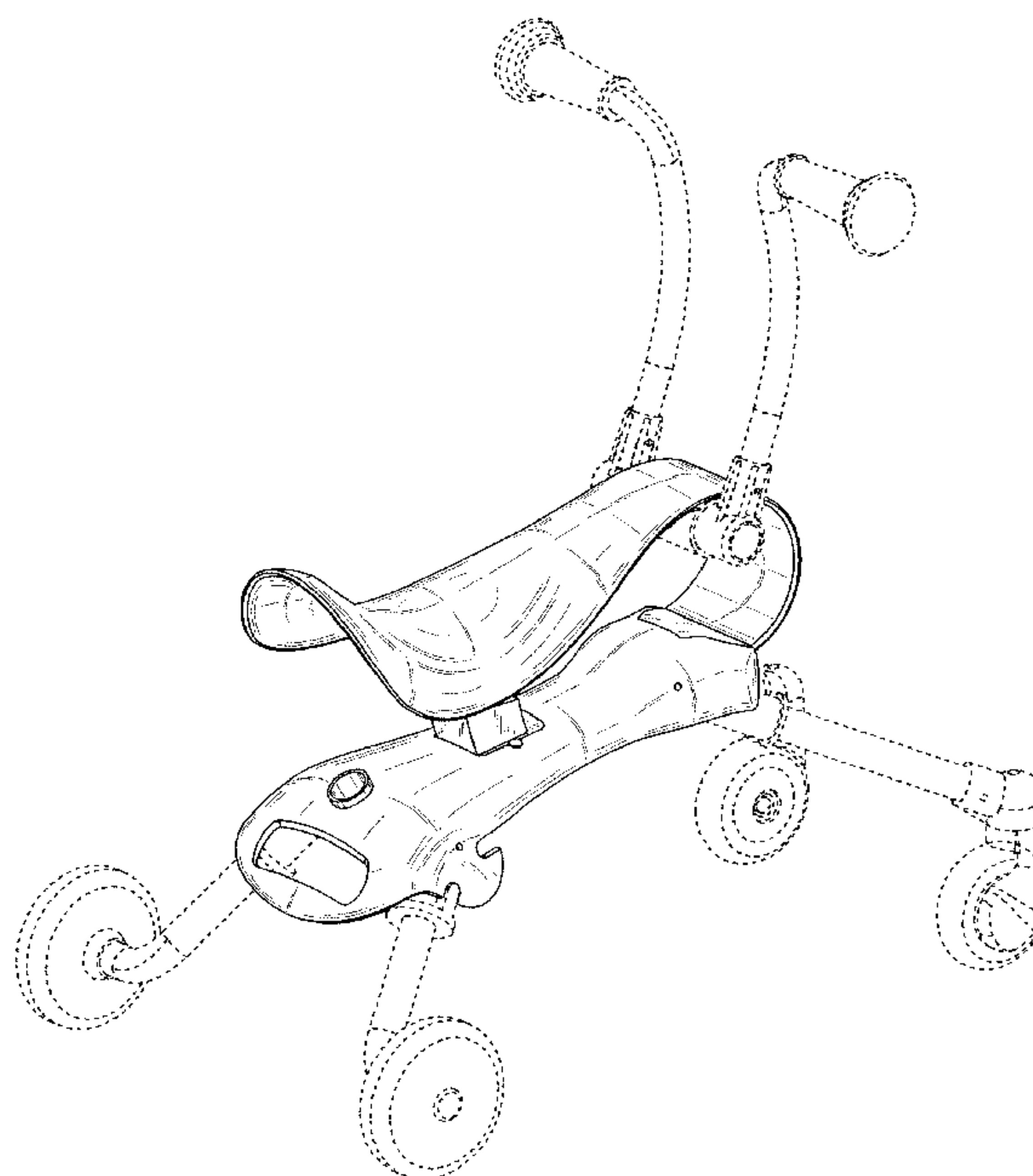
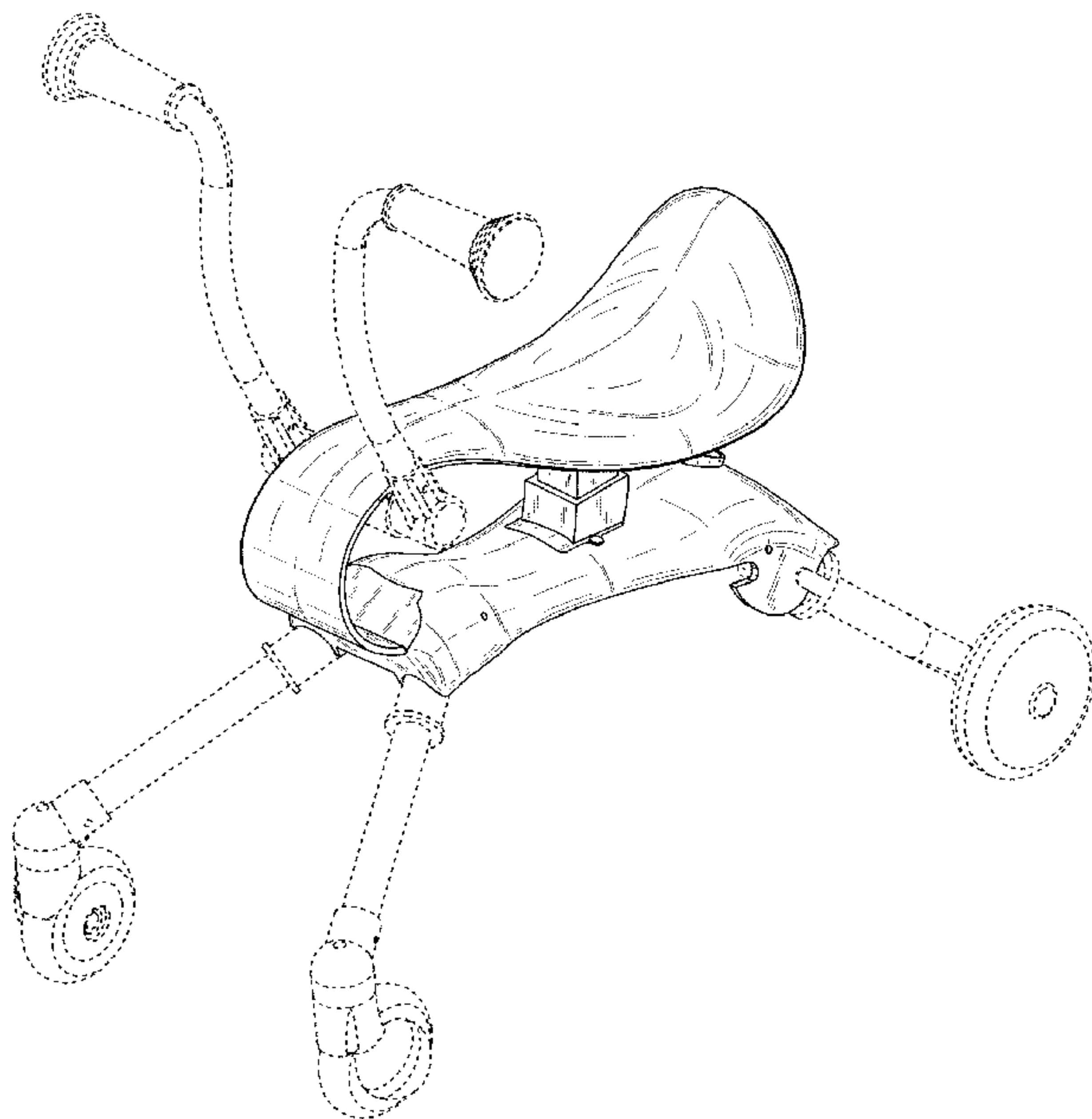
FIG. 4 is a rear view thereof;

FIG. 5 is a top view thereof; and,

FIG. 6 is a top rear perspective view thereof.

The broken lines in each of the figures are for illustrative purposes only and form no part of the claimed design.

1 Claim, 5 Drawing Sheets



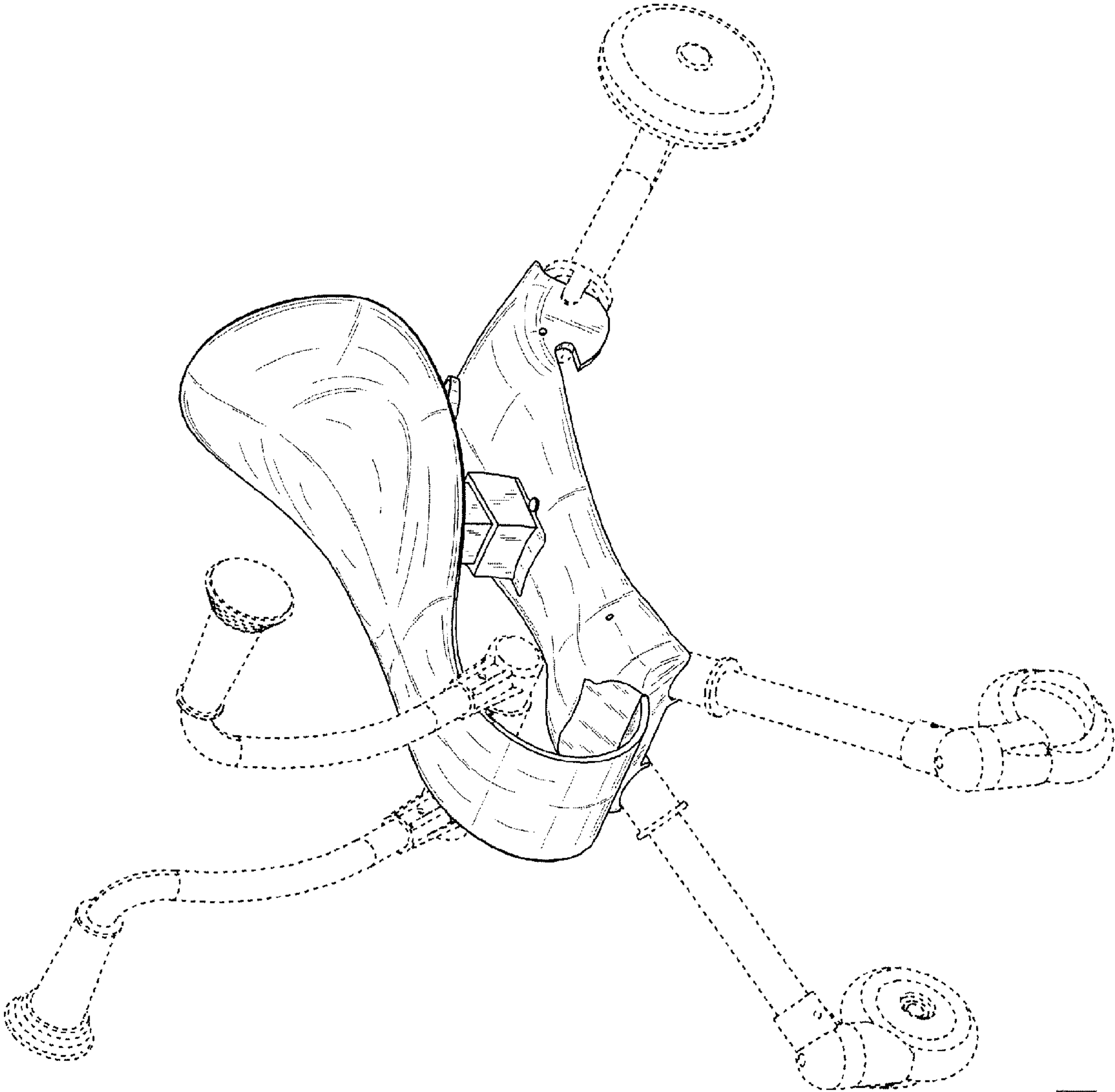


Fig. 1

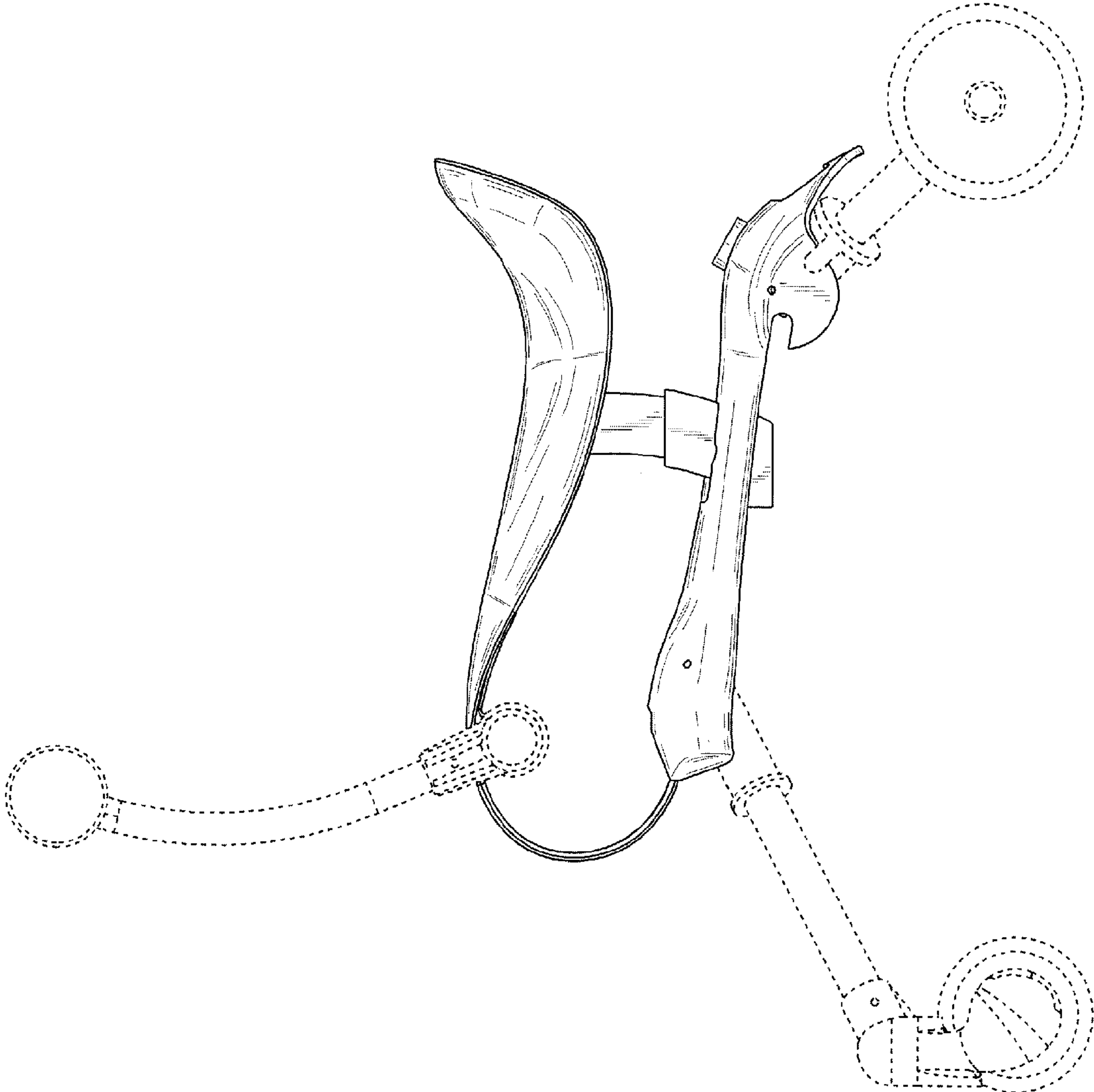


Fig. 2

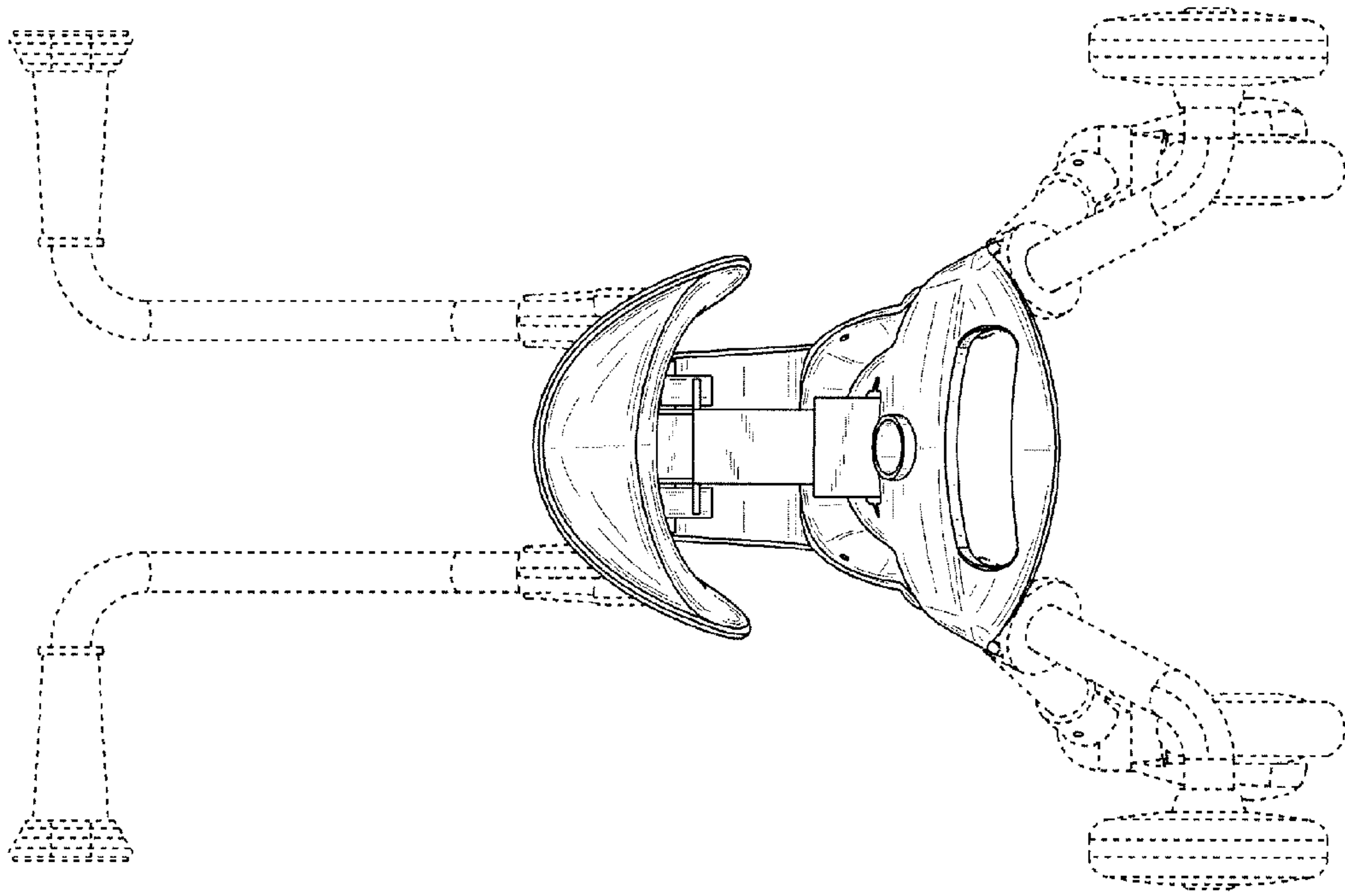


Fig. 3

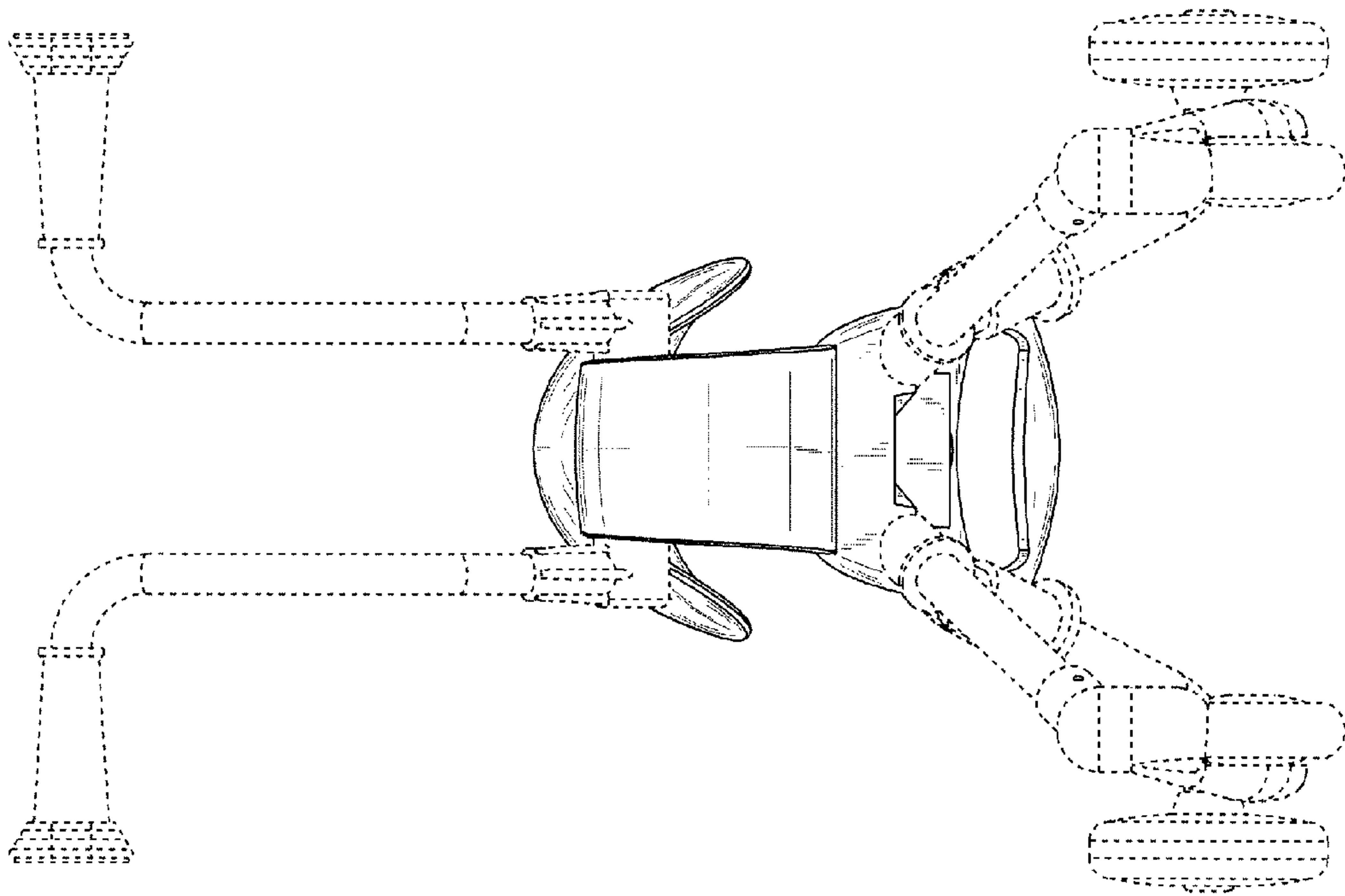


Fig. 4

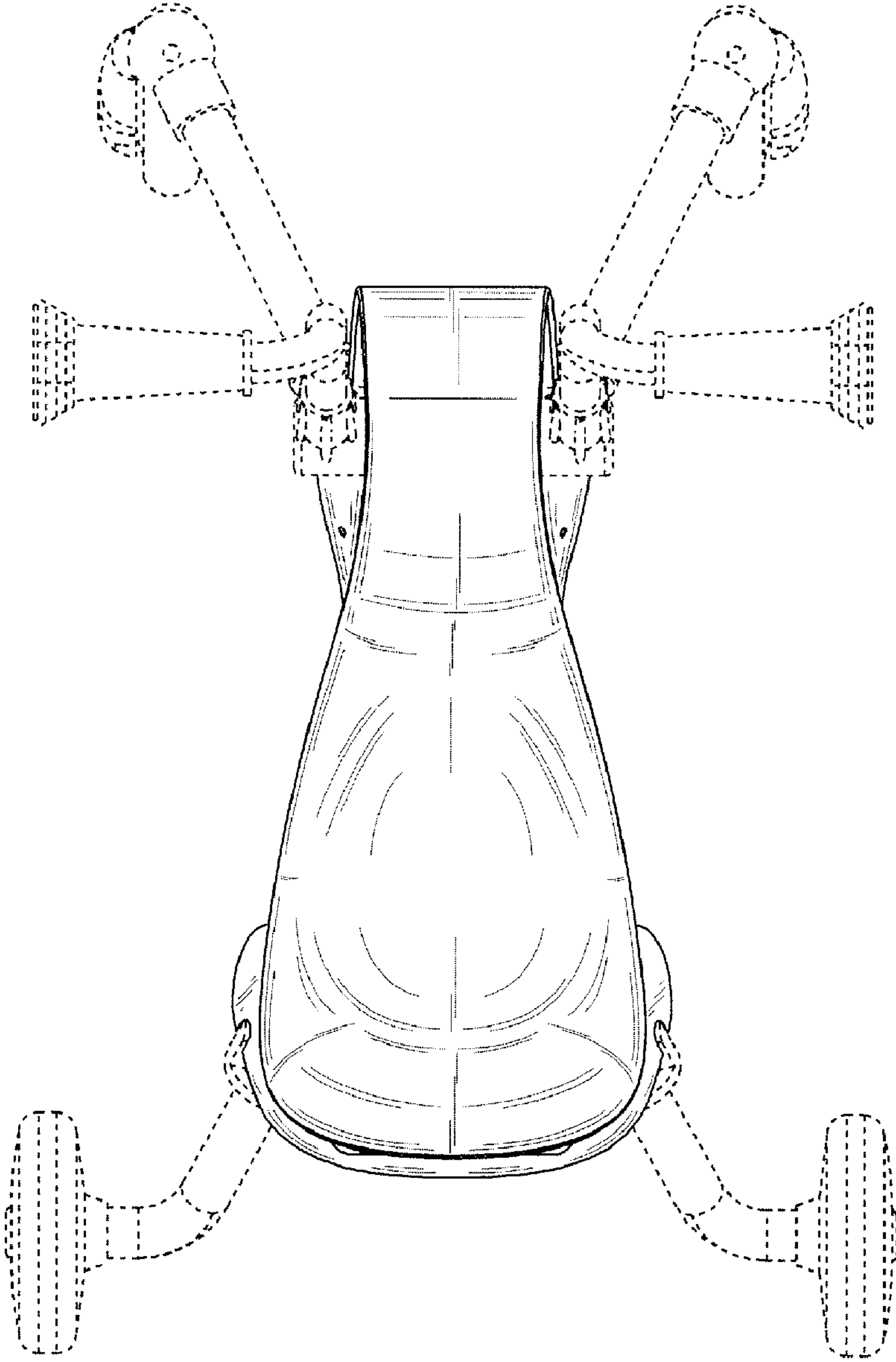


Fig. 5

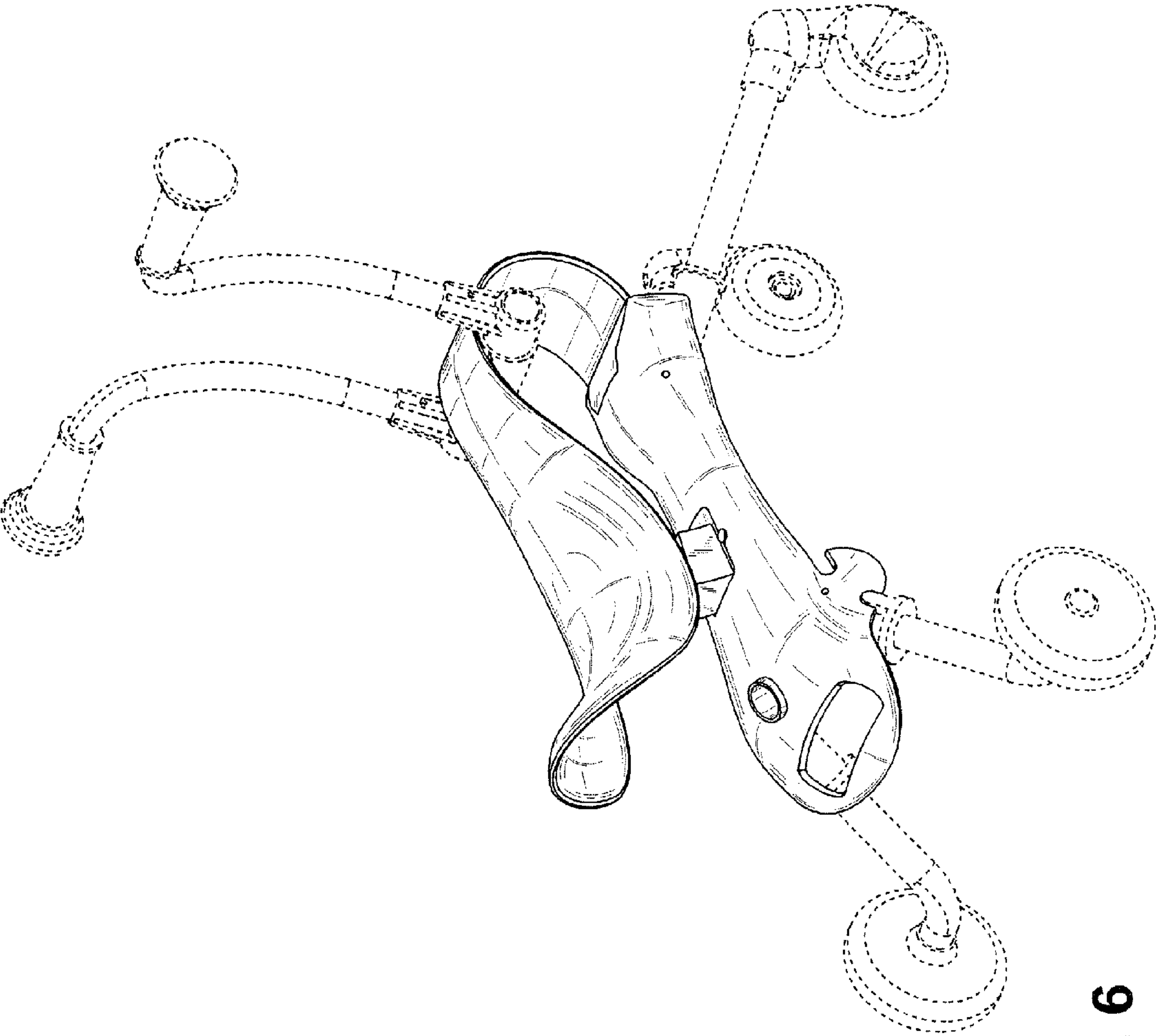


Fig. 6