



US00D579497S

(12) **United States Design Patent**
Yoon

(10) **Patent No.:** **US D579,497 S**
(45) **Date of Patent:** **** Oct. 28, 2008**

(54) **WRITING INSTRUMENT**

(75) Inventor: **Hyun-Son Yoon**, Seoul (KR)
(73) Assignee: **Morris Corporation**, Inchon-shi (KR)
(**) Term: **14 Years**
(21) Appl. No.: **29/249,397**
(22) Filed: **Oct. 4, 2006**

(51) **LOC (8) Cl.** **19-06**
(52) **U.S. Cl.** **D19/49**
(58) **Field of Classification Search** D19/35,
D19/36, 41-51, 53-57; 24/11 F, 11 P, 11 R;
401/52, 99, 100, 104-109, 192, 195, 196
See application file for complete search history.

(56) **References Cited**

U.S. PATENT DOCUMENTS

D179,425 S * 12/1956 Parker D19/57
D355,440 S * 2/1995 Lin D19/51
D363,309 S * 10/1995 Carpani et al. D19/49
5,635,682 A * 6/1997 Cherdak et al. 178/19.01
D389,866 S * 1/1998 Boix Gacia D19/51
D462,386 S * 9/2002 Iwase et al. D19/43
D471,930 S * 3/2003 Stropkay et al. D19/51
D472,922 S * 4/2003 Stropkay et al. D19/43
D484,540 S * 12/2003 Bodino D19/57
D541,341 S * 4/2007 Oi D19/47

D566,179 S * 4/2008 Qiu et al. D19/51
2003/0194255 A1 * 10/2003 Silberman 401/18

FOREIGN PATENT DOCUMENTS

DE DM/061563 * 9/2002

* cited by examiner

Primary Examiner—Elizabeth A Albert

(74) *Attorney, Agent, or Firm*—Intellectual Property Law Group LLP; Otto O. Lee; Juneko Jackson

(57) **CLAIM**

The ornamental design for a writing instrument, as shown and described.

DESCRIPTION

FIG. 1 is a perspective view of a writing instrument showing my new design;

FIG. 2 is a left side elevational view thereof, shown on an enlarged scale;

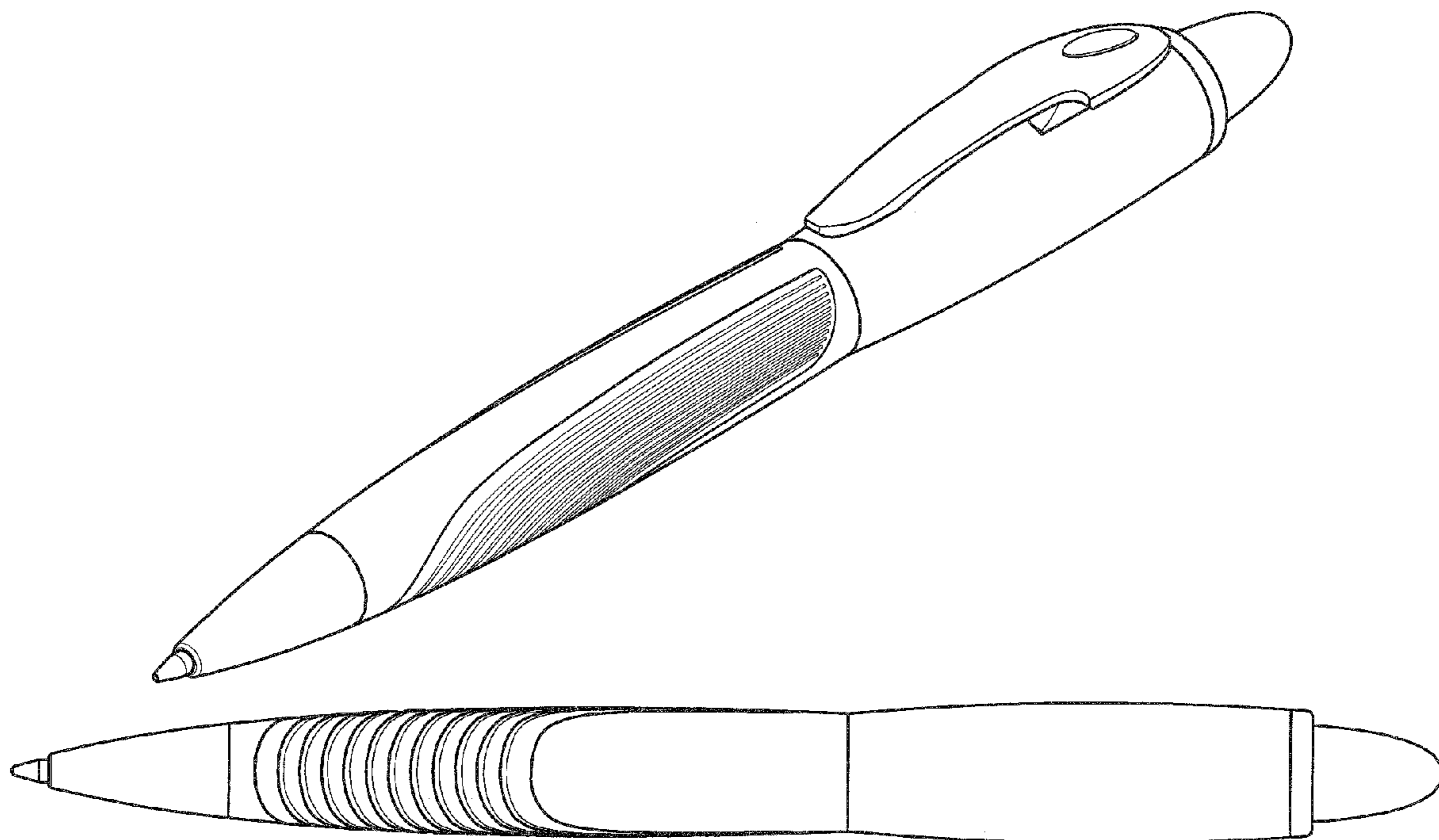
FIG. 3 is a right side elevational view thereof, shown on an enlarged scale;

FIG. 4 is a top plan view thereof;

FIG. 5 is a bottom plan view thereof; and,

FIG. 6 is a front elevational view thereof; the rear elevational view being a mirror image thereof.

1 Claim, 3 Drawing Sheets



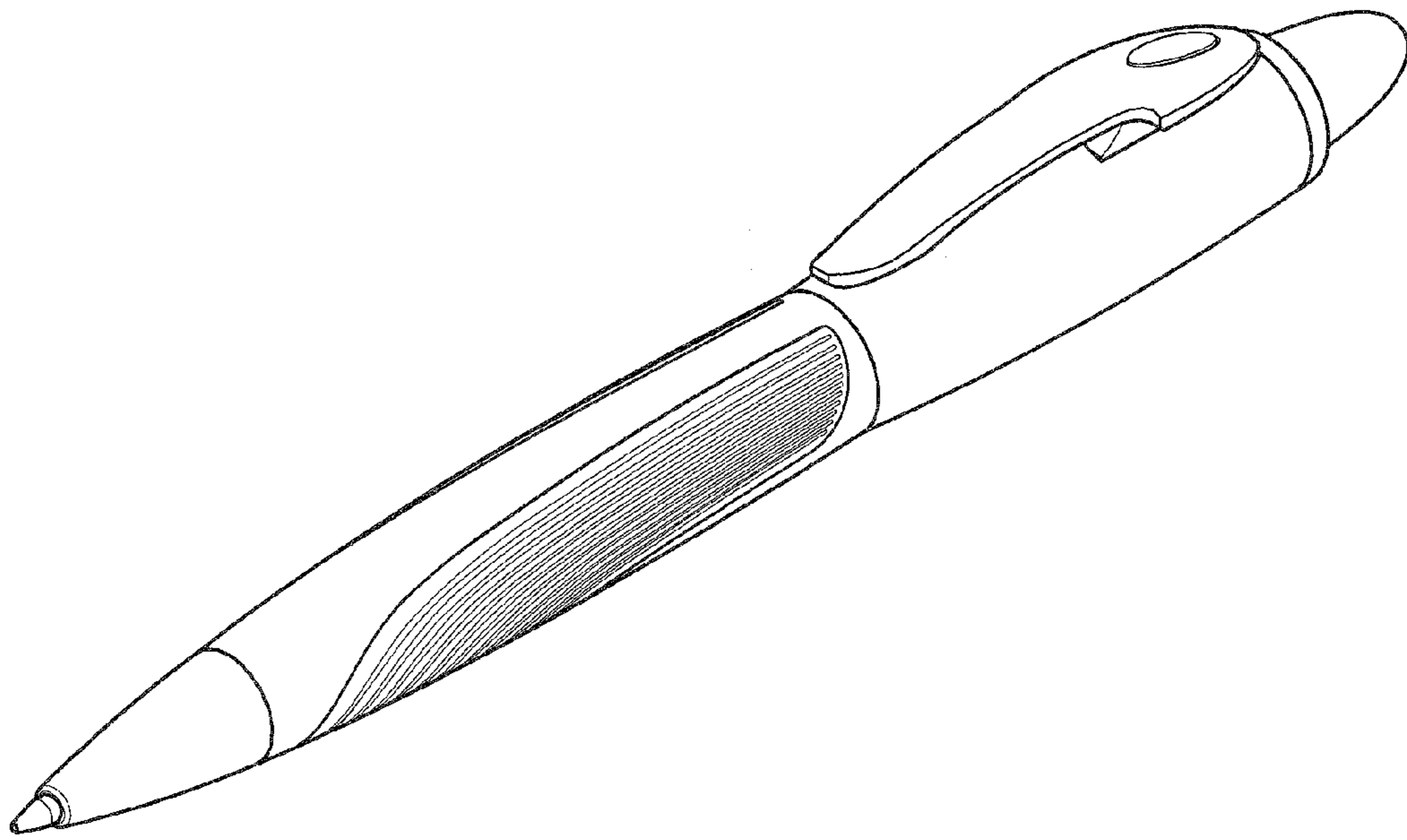


FIG. 1

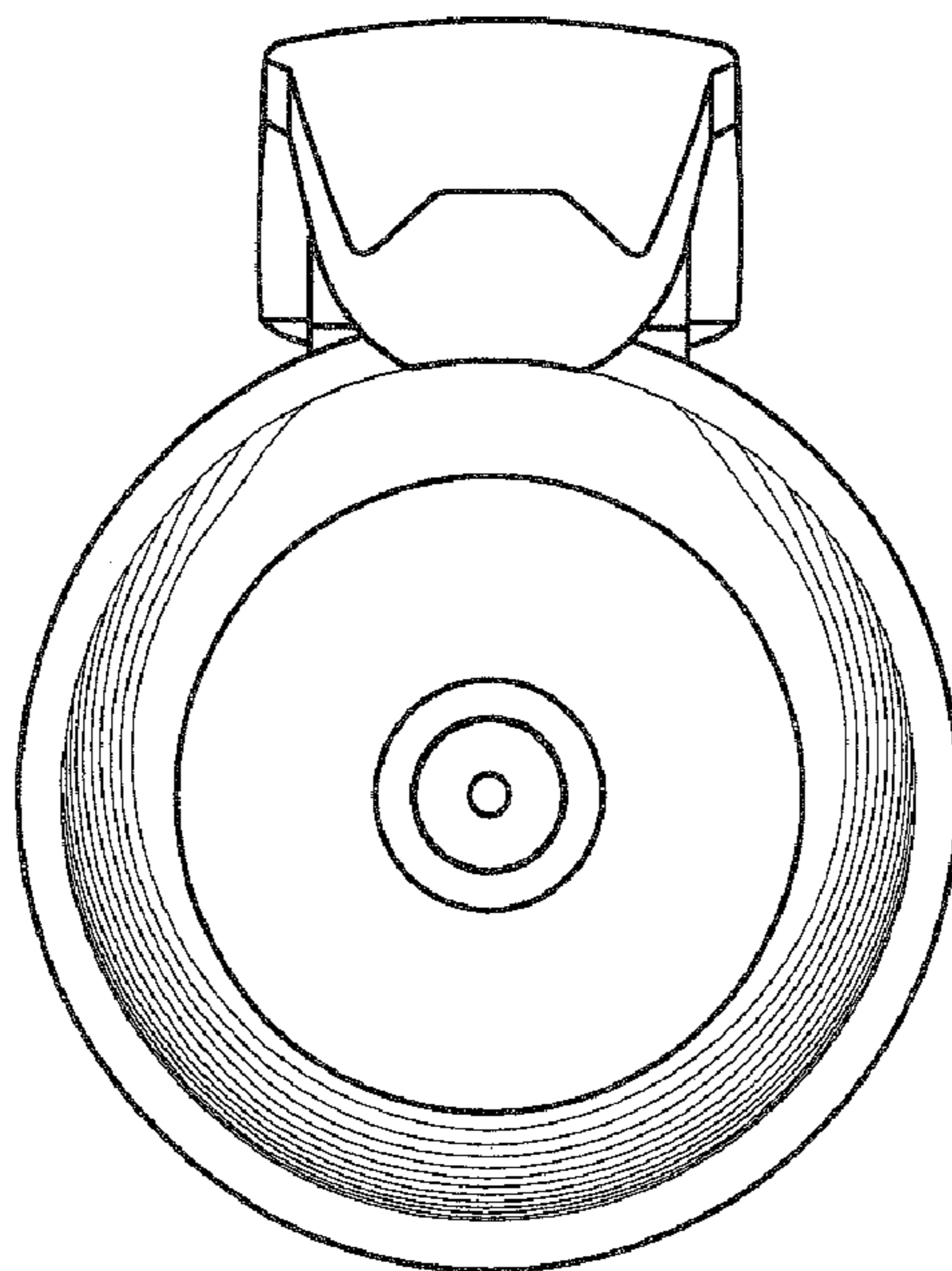


FIG. 2

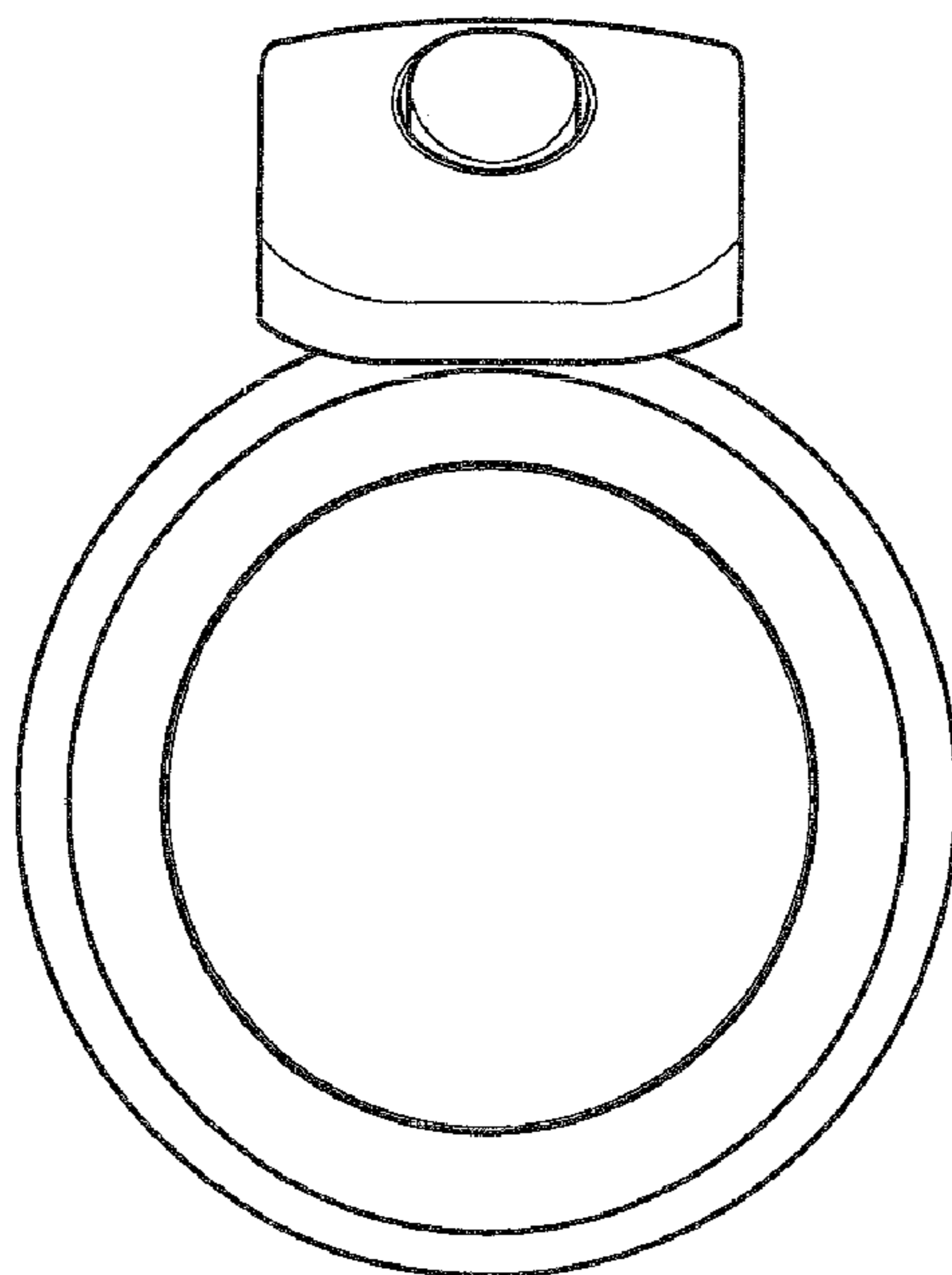


FIG. 3

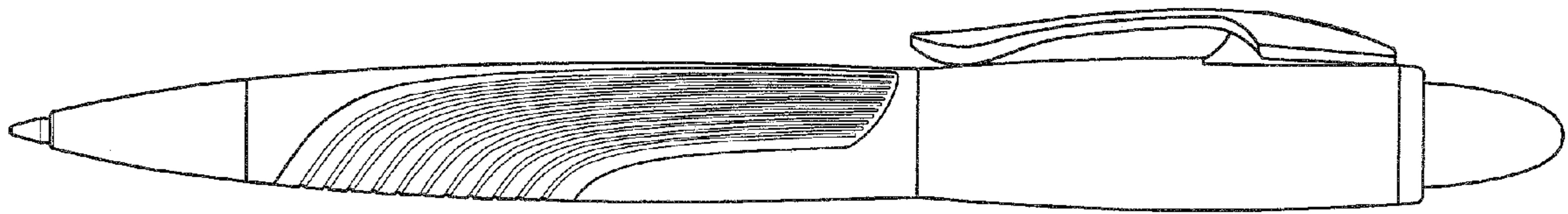


FIG. 6

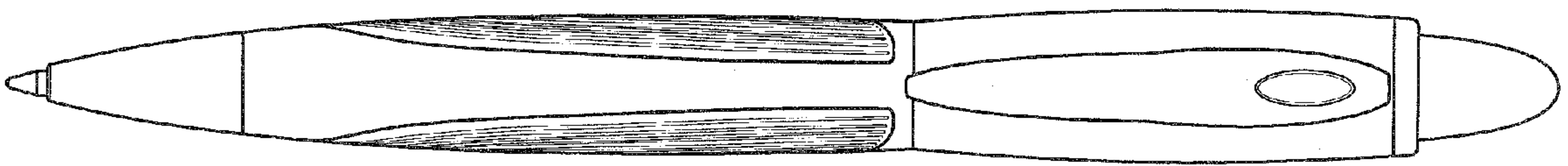


FIG. 4

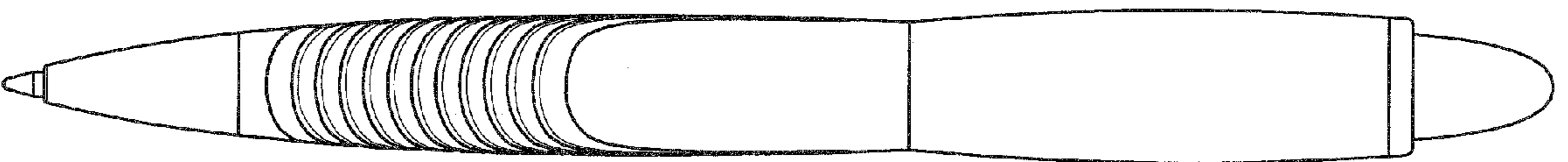


FIG. 5