



US00D579495S

(12) **United States Design Patent**
Yoon

(10) **Patent No.:** **US D579,495 S**
(45) **Date of Patent:** **** Oct. 28, 2008**

(54) **WRITING INSTRUMENT**

D541,858 S * 5/2007 Yeh D19/44
D566,360 S * 4/2008 Ungaro D32/35

(75) Inventor: **Hyun-son Yoon**, Seoul (KR)

* cited by examiner

(73) Assignee: **Morris Corporation**, Inchon-shi (KR)

Primary Examiner—Elizabeth A Albert

(**) Term: **14 Years**

(74) *Attorney, Agent, or Firm*—Intellectual Property Law Group LLP; Otto O. Lee; Juneko Jackson

(21) Appl. No.: **29/249,398**

(57) **CLAIM**

(22) Filed: **Oct. 4, 2006**

The ornamental design for a writing instrument, as shown and described.

(51) **LOC (8) Cl.** **19-06**

(52) **U.S. Cl.** **D19/44**

(58) **Field of Classification Search** D19/35,
D19/36, 41–51, 53–57; 24/11 F, 11 P, 11 R;
401/52, 99, 100, 104–109, 192, 195, 196
See application file for complete search history.

DESCRIPTION

(56) **References Cited**

U.S. PATENT DOCUMENTS

- D418,872 S * 1/2000 Leibek D19/50
- D436,879 S * 1/2001 Deguchi et al. D10/104
- D461,204 S * 8/2002 Klefbom D19/36
- D477,025 S * 7/2003 Morrow D19/51
- D493,834 S * 8/2004 Yeh D19/49
- D497,640 S * 10/2004 Qiu D19/43
- D500,790 S * 1/2005 Jaakkola D19/43
- D508,948 S * 8/2005 Metaxatos et al. D19/43
- 7,097,377 B1 * 8/2006 Rigoni 401/195
- D531,217 S * 10/2006 Hirota D19/50

FIG. 1 is a perspective view of a writing instrument showing my new design;

FIG. 2 is a left side elevational view thereof, shown on an enlarged scale;

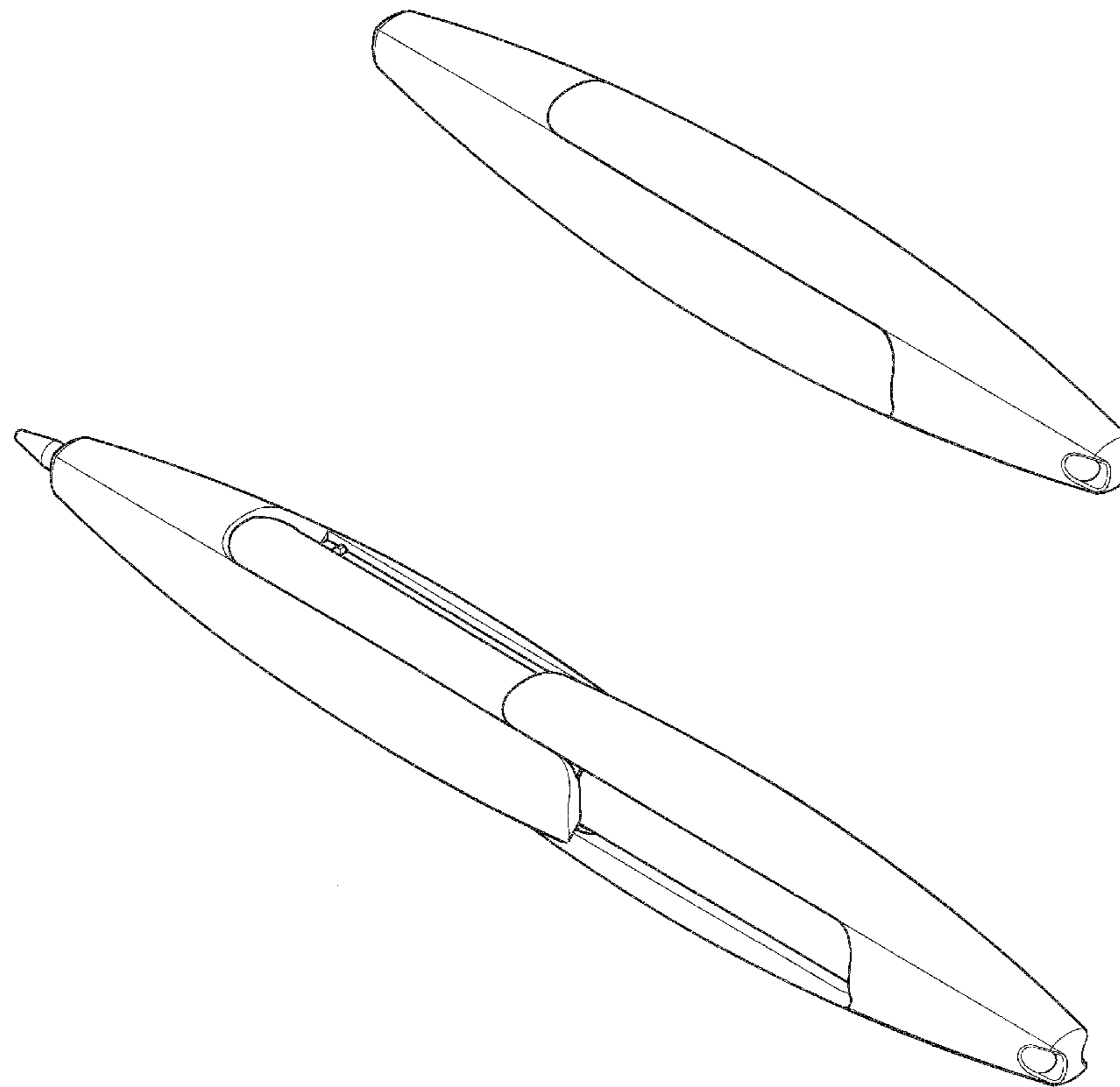
FIG. 3 is a right side elevational view thereof, shown on an enlarged scale;

FIG. 4 is a top plan view thereof; the bottom plan view being a mirror image of FIG. 4; and,

FIG. 5 is a front elevational view thereof; the rear elevational view being a mirror image of FIG. 5; and,

FIG. 6 is a perspective view of the writing instrument in an extended state.

1 Claim, 4 Drawing Sheets



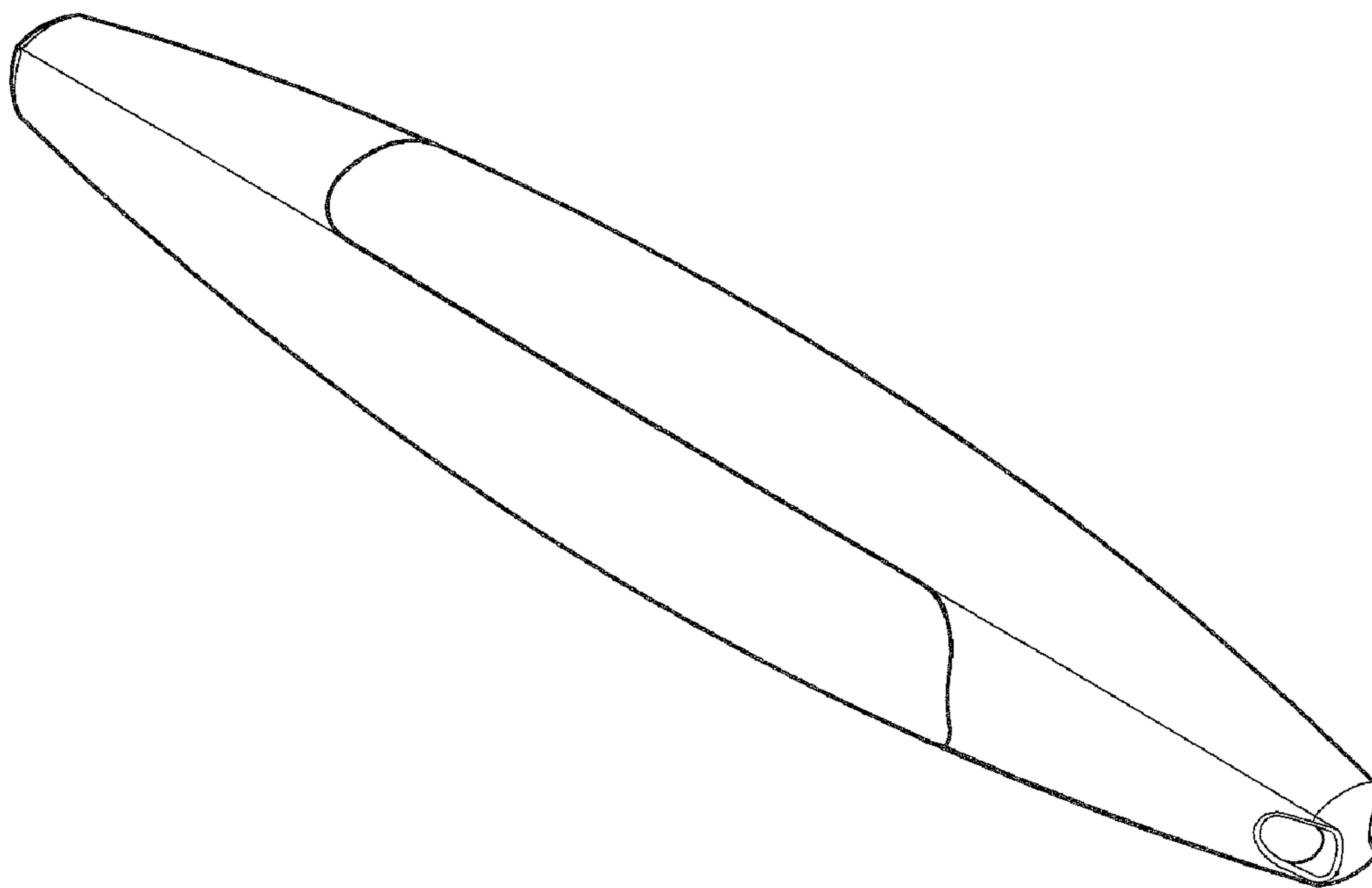


FIG. 1

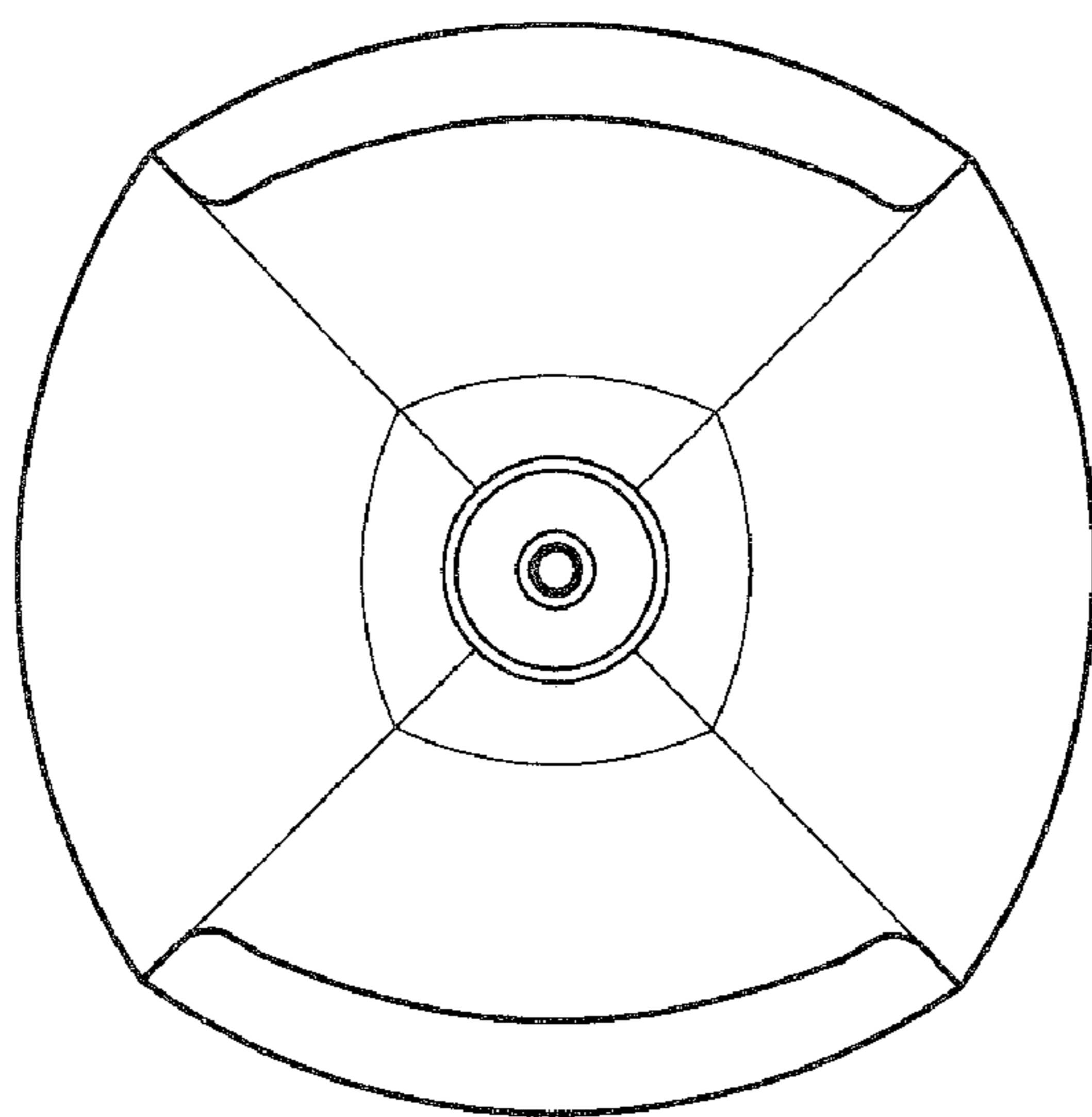


FIG. 2

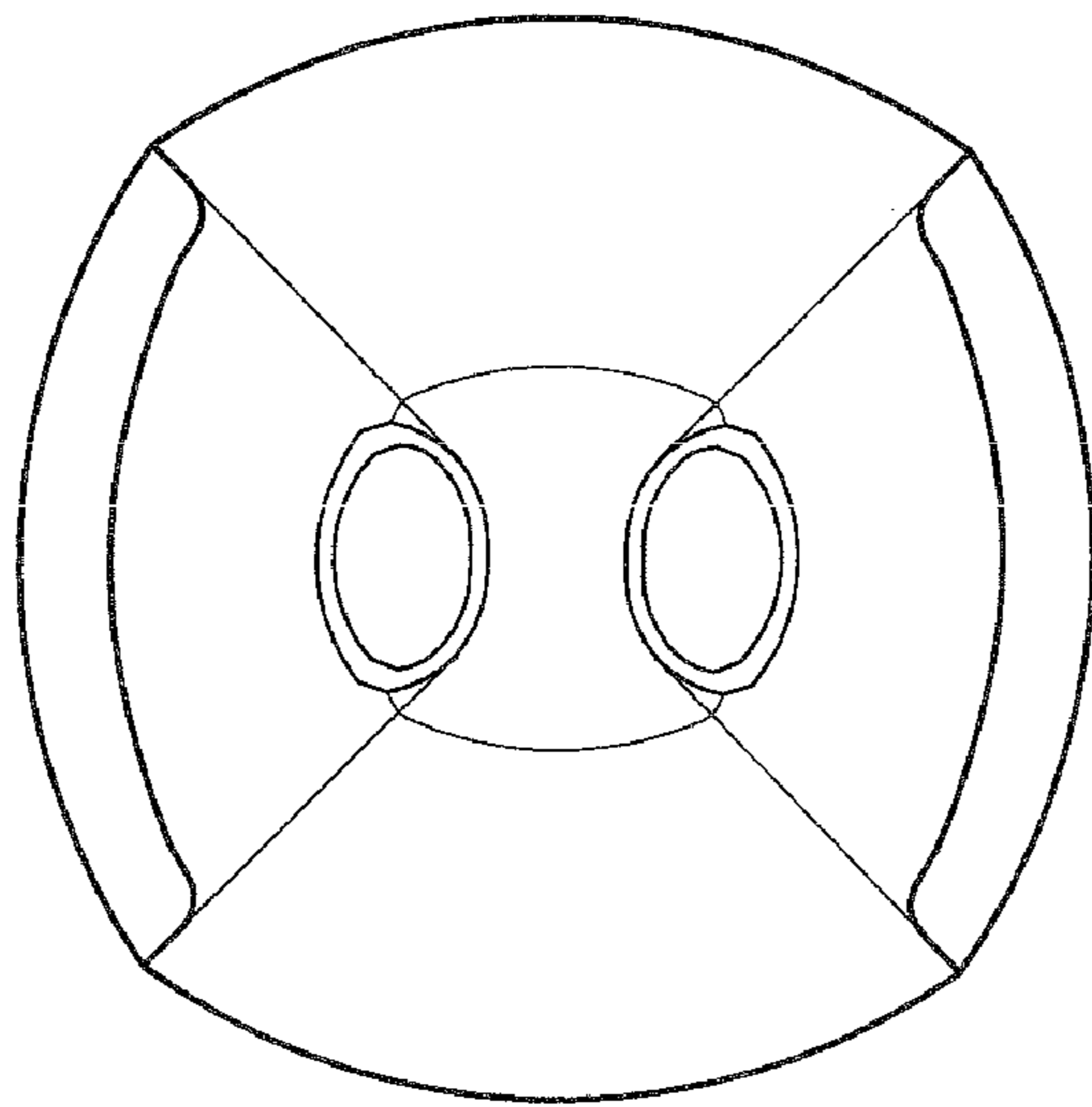


FIG. 3

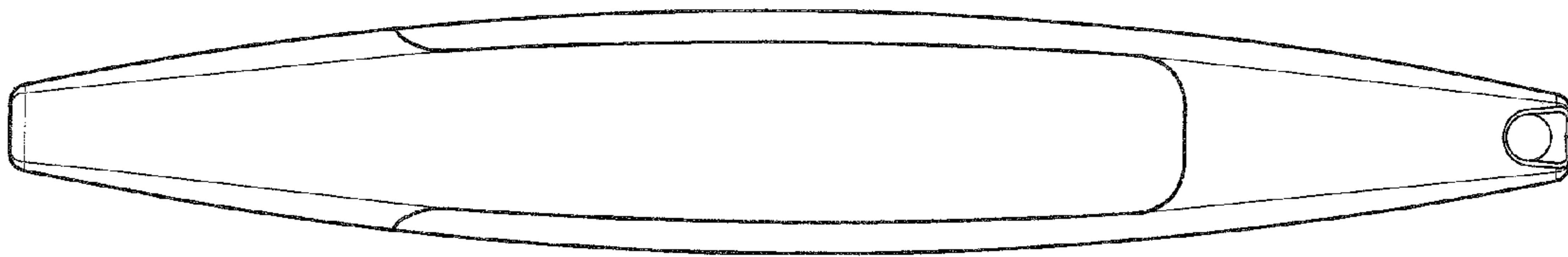


FIG. 5

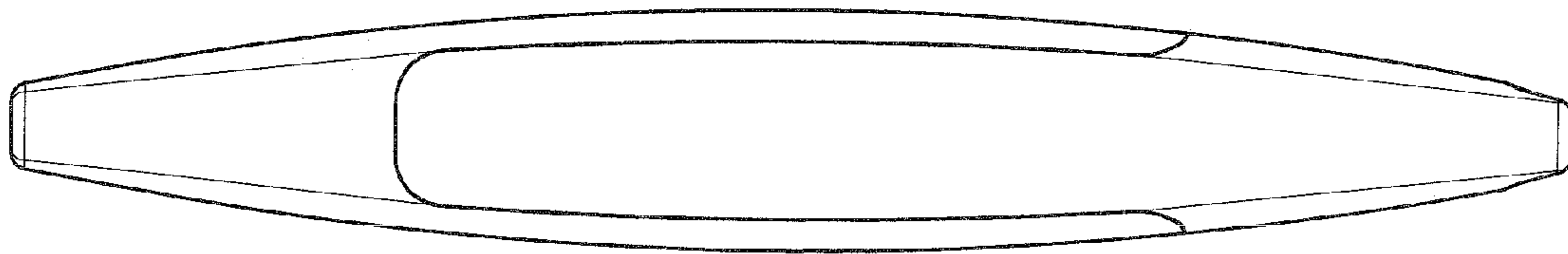


FIG. 4

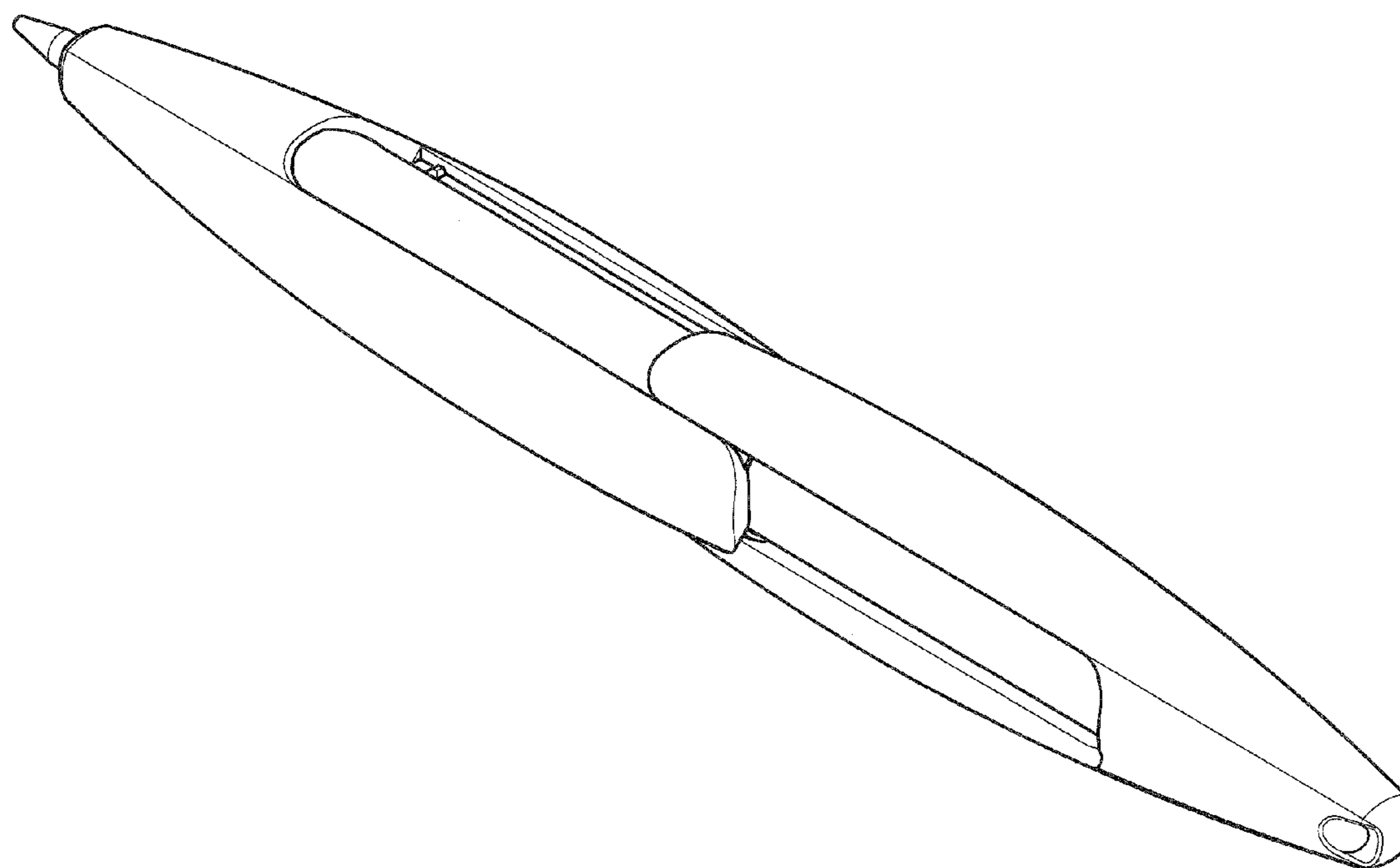


FIG. 6