



US00D579494S

(12) **United States Design Patent**  
**Chan et al.**

(10) **Patent No.:** **US D579,494 S**

(45) **Date of Patent:** **\*\* Oct. 28, 2008**

(54) **FOLDABLE WRITING IMPLEMENT WITH CARABINER**

D534,212 S \* 12/2006 Chan ..... D19/46  
D565,101 S \* 3/2008 Chan ..... D19/41

(75) Inventors: **Sik Leung Chan**, Tsuen Wan (HK);  
**Kunio Okamoto**, Utsunomiya (JP)

\* cited by examiner

(73) Assignee: **C.C. & L Company Limited**, Tsuen Wan, N.T. (HK)

*Primary Examiner*—Elizabeth A Albert  
*Assistant Examiner*—Kelley A Donnelly  
(74) *Attorney, Agent, or Firm*—Daniel P. Burke & Associates, PLLC

(\*\*) Term: **14 Years**

(57) **CLAIM**

(21) Appl. No.: **29/273,409**

The ornamental design for a foldable writing implement with carabiner, as shown and described.

(22) Filed: **Mar. 5, 2007**

(51) **LOC (8) Cl.** ..... **19-06**

(52) **U.S. Cl.** ..... **D19/36**

(58) **Field of Classification Search** ..... D19/41–51,  
D19/35–36, 53–58, 81–85; 401/6–7, 88,  
401/29, 52, 195, 209, 99; 15/105  
See application file for complete search history.

**DESCRIPTION**

FIG. 1 is a left side view of the device showing my new design;

FIG. 2 is a right side view thereof;

FIG. 3 is a top end view thereof;

FIG. 4 is a bottom end view thereof;

FIG. 5 is a rear view thereof;

FIG. 6 is a front view thereof; and

FIG. 7 is a top perspective view; and,

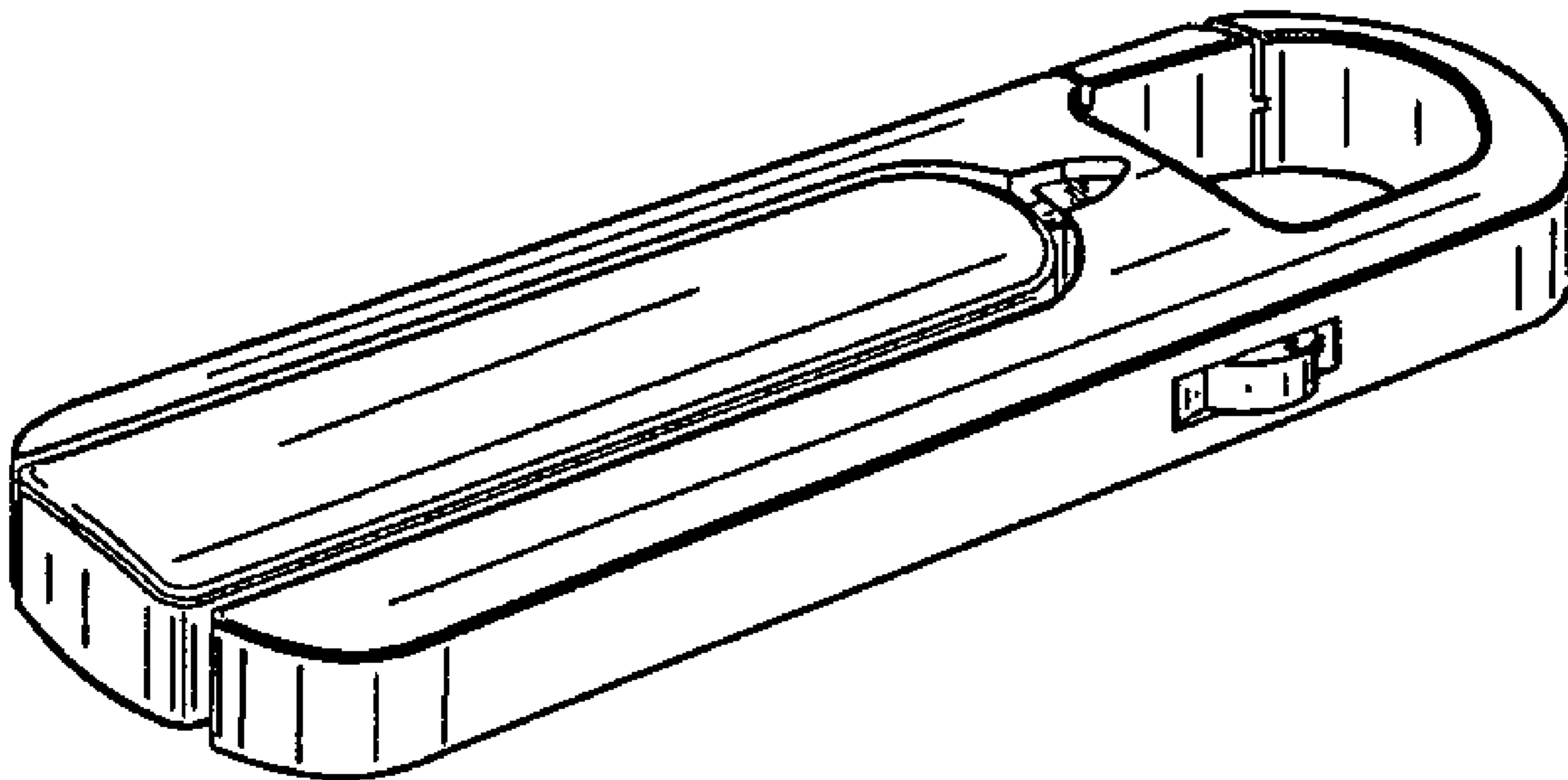
FIG. 8 is a top perspective view with the pen in the operable position.

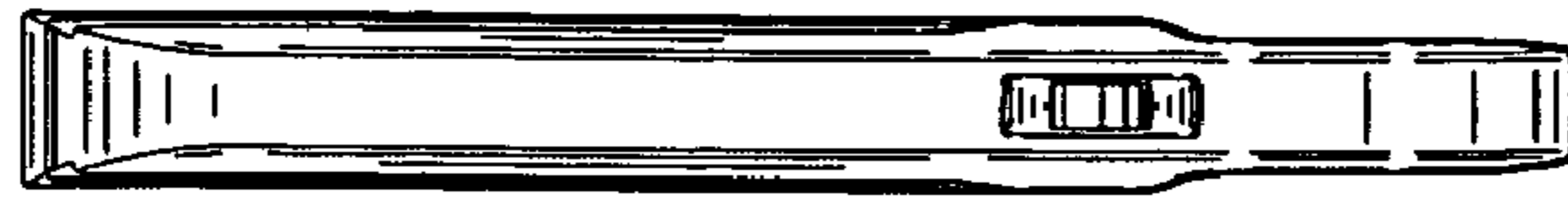
(56) **References Cited**

**U.S. PATENT DOCUMENTS**

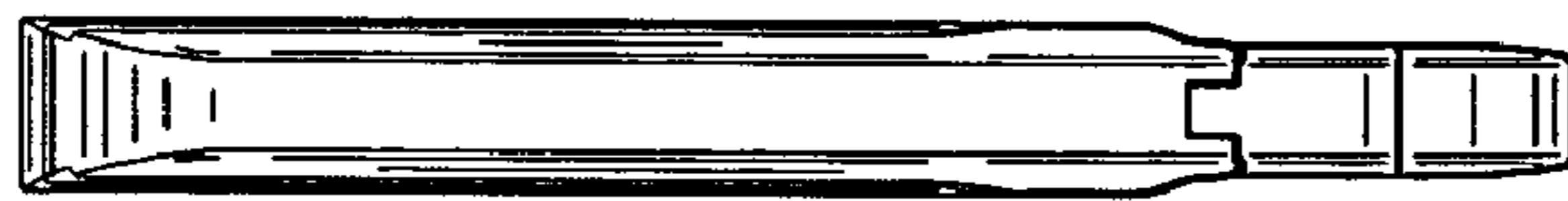
4,872,774 A \* 10/1989 Rosso ..... 401/29  
D310,449 S \* 9/1990 Agrippino ..... D3/208  
D316,271 S \* 4/1991 Larizza ..... D19/41  
D469,806 S \* 2/2003 Chan ..... D19/46  
D485,629 S \* 1/2004 Chan ..... D26/37  
D529,959 S \* 10/2006 Oas ..... D19/36

**1 Claim, 2 Drawing Sheets**

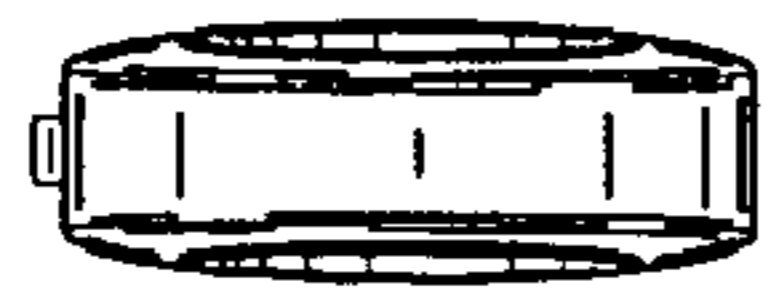




**FIG. 1**



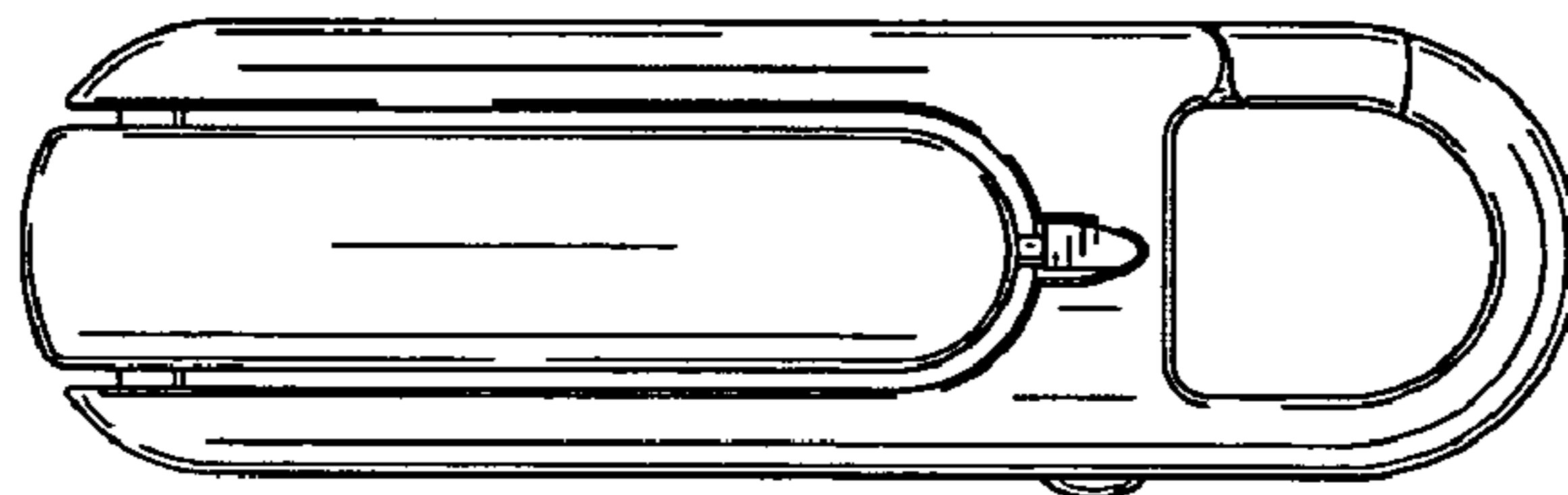
**FIG. 2**



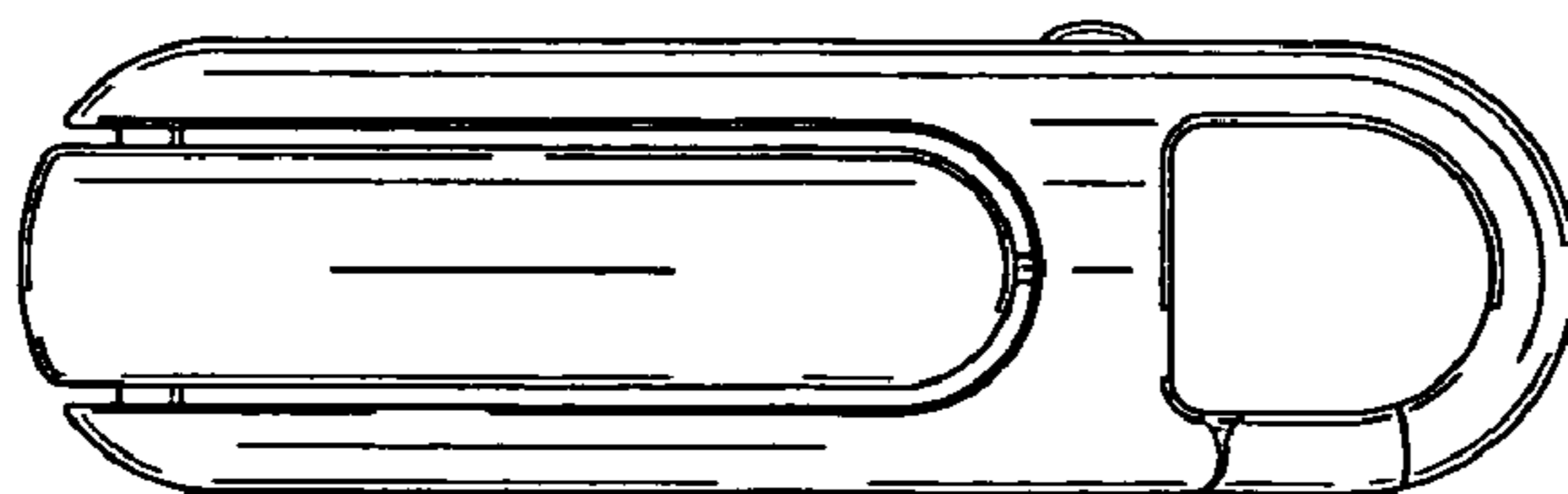
**FIG. 3**



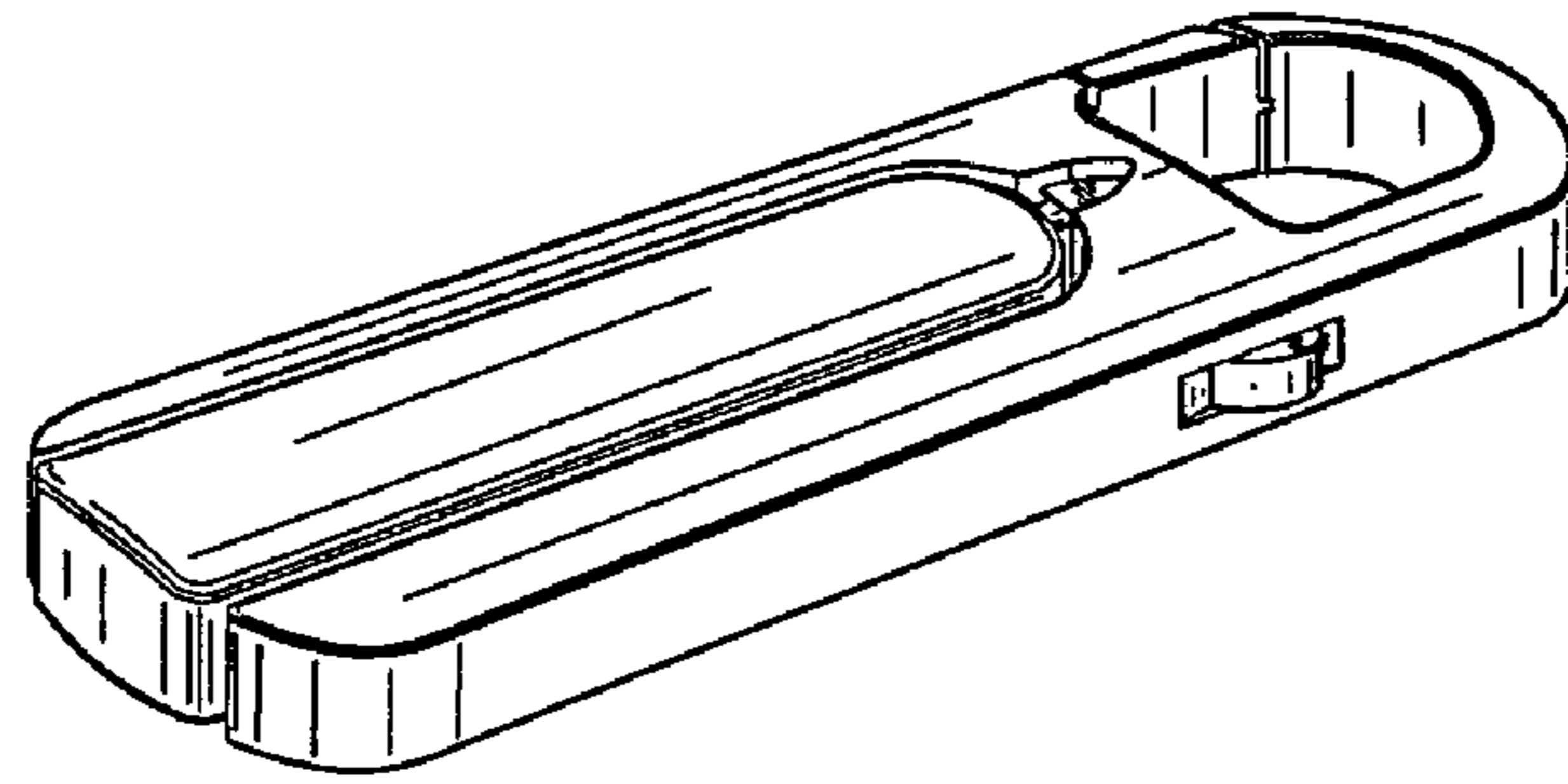
**FIG. 4**



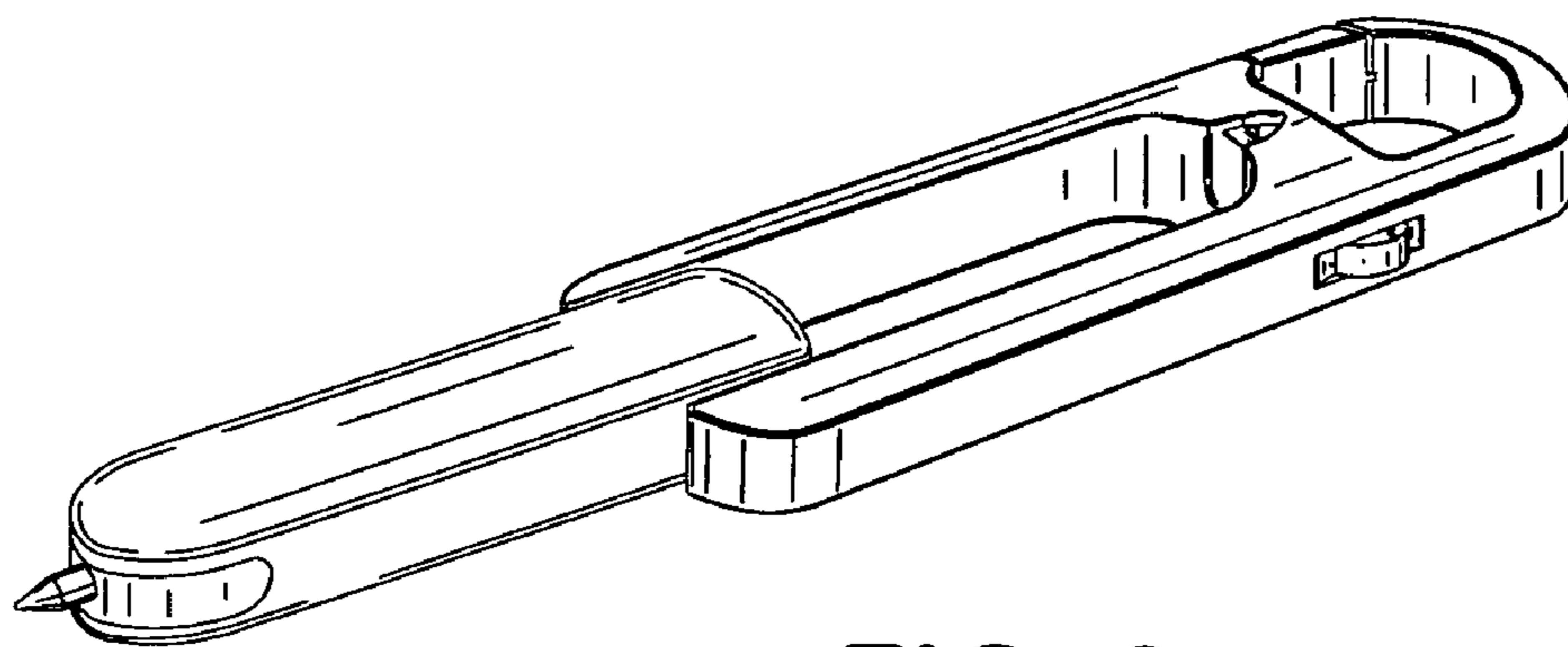
**FIG. 5**



**FIG. 6**



**FIG. 7**



**FIG. 8**