



US00D579490S

(12) **United States Design Patent**
Laidlaw et al.

(10) **Patent No.:** **US D579,490 S**

(45) **Date of Patent:** **** Oct. 28, 2008**

(54) **PRINTER**

(75) Inventors: **Anthony G. Laidlaw**, Boise, ID (US);
John L Guenther, Aptos, CA (US);
Angelo La Barbera, Eagle, ID (US);
Dennis Terenzio, Boise, ID (US);
Jirawat Jeamvigite, Los Angeles, CA
(US); **Stefan Muller**, Magdeburg (DE);
Albert B. Kim, Los Angeles, CA (US);
Andre De Salis, Pasadena, CA (US)

(73) Assignee: **Hewlett-Packard Development
Company, L.P.**, Houston, TX (US)

(**) Term: **14 Years**

(21) Appl. No.: **29/272,028**

(22) Filed: **Jan. 31, 2007**

(51) **LOC (8) Cl.** **14-02**

(52) **U.S. Cl.** **D18/55**

(58) **Field of Classification Search** D18/4.4,
D18/36-39, 41, 50, 53, 54-55; D14/420-425,
D14/462-470; 400/613, 613.1-613.4, 690.1-690.4,
400/691-694

See application file for complete search history.

(56) **References Cited**

U.S. PATENT DOCUMENTS

D352,307 S * 11/1994 Gassett et al. D18/55
D375,974 S * 11/1996 Kogoh et al. D18/53
D396,053 S * 7/1998 Bishop et al. D18/50
D407,741 S * 4/1999 Kusanagi D18/55

D433,440 S * 11/2000 Takenouchi et al. D18/39
D443,635 S * 6/2001 Ogawa et al. D18/39
D443,891 S * 6/2001 Yonekawa et al. D18/55
D451,124 S * 11/2001 Isomoto D18/39
D452,705 S * 1/2002 Takenouchi et al. D18/55
D478,619 S * 8/2003 Agata et al. D18/55
D497,942 S * 11/2004 Yoshida et al. D18/53
D515,131 S * 2/2006 Hwang et al. D18/55
D532,043 S * 11/2006 Park et al. D18/50
D532,450 S * 11/2006 Smith et al. D18/55
D535,687 S * 1/2007 Tomono et al. D18/55

* cited by examiner

Primary Examiner—Cathy Anne MacCormac

(57) **CLAIM**

The ornamental design for a printer, as shown and described.

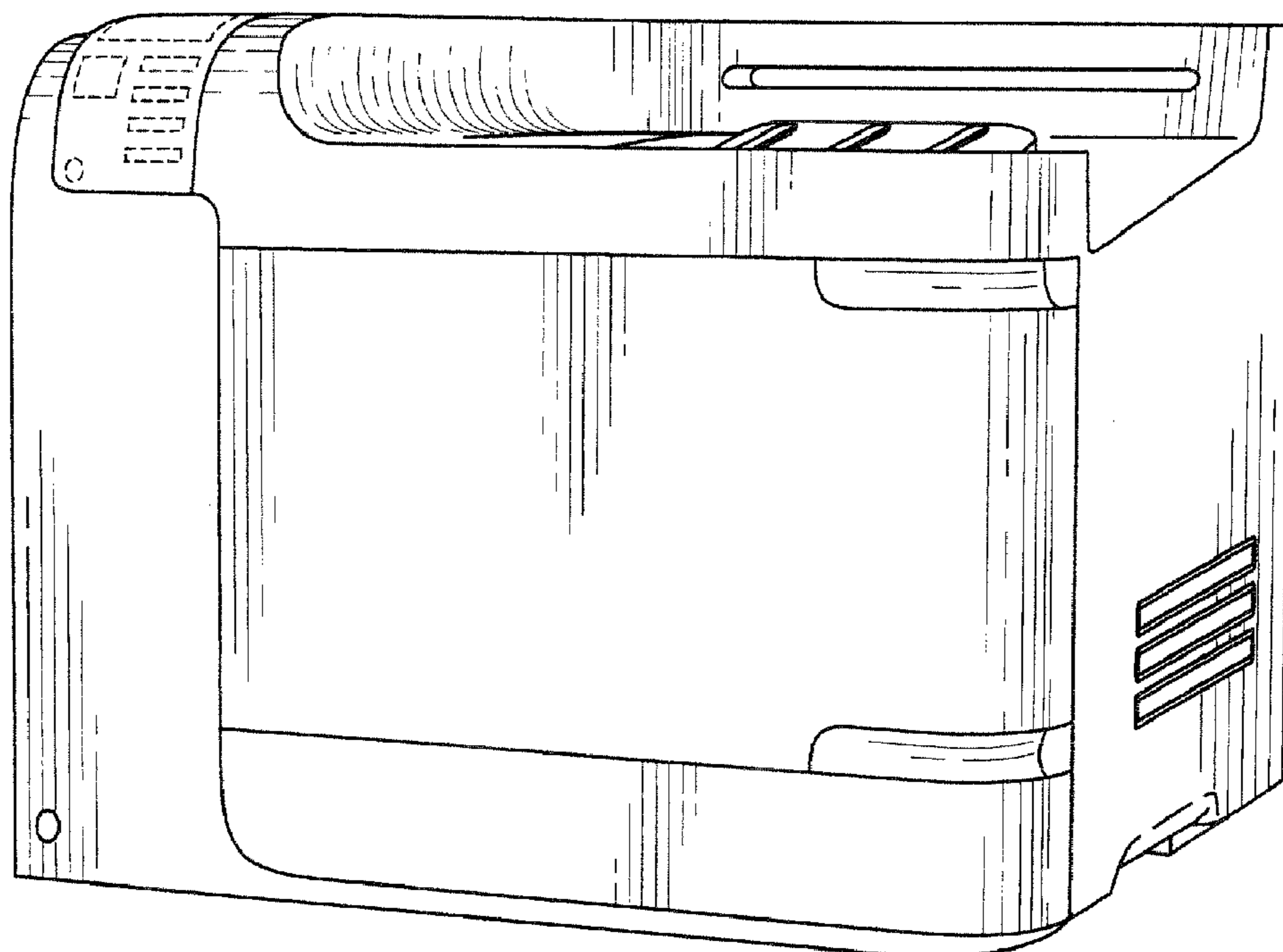
DESCRIPTION

FIG. 1 is a front perspective view of a printer;
FIG. 2 is a rear perspective view thereof;
FIG. 3 is a front elevational view thereof;
FIG. 4 is a rear elevational view thereof;
FIG. 5 is a right elevational view thereof;
FIG. 6 is a left elevational view thereof; and,
FIG. 7 is a top plan view thereof.

The broken lines in the drawings are for illustrative purposes and form no part of the claimed design.

The bottom of the printer, not shown, forms no part of the claimed design.

1 Claim, 4 Drawing Sheets



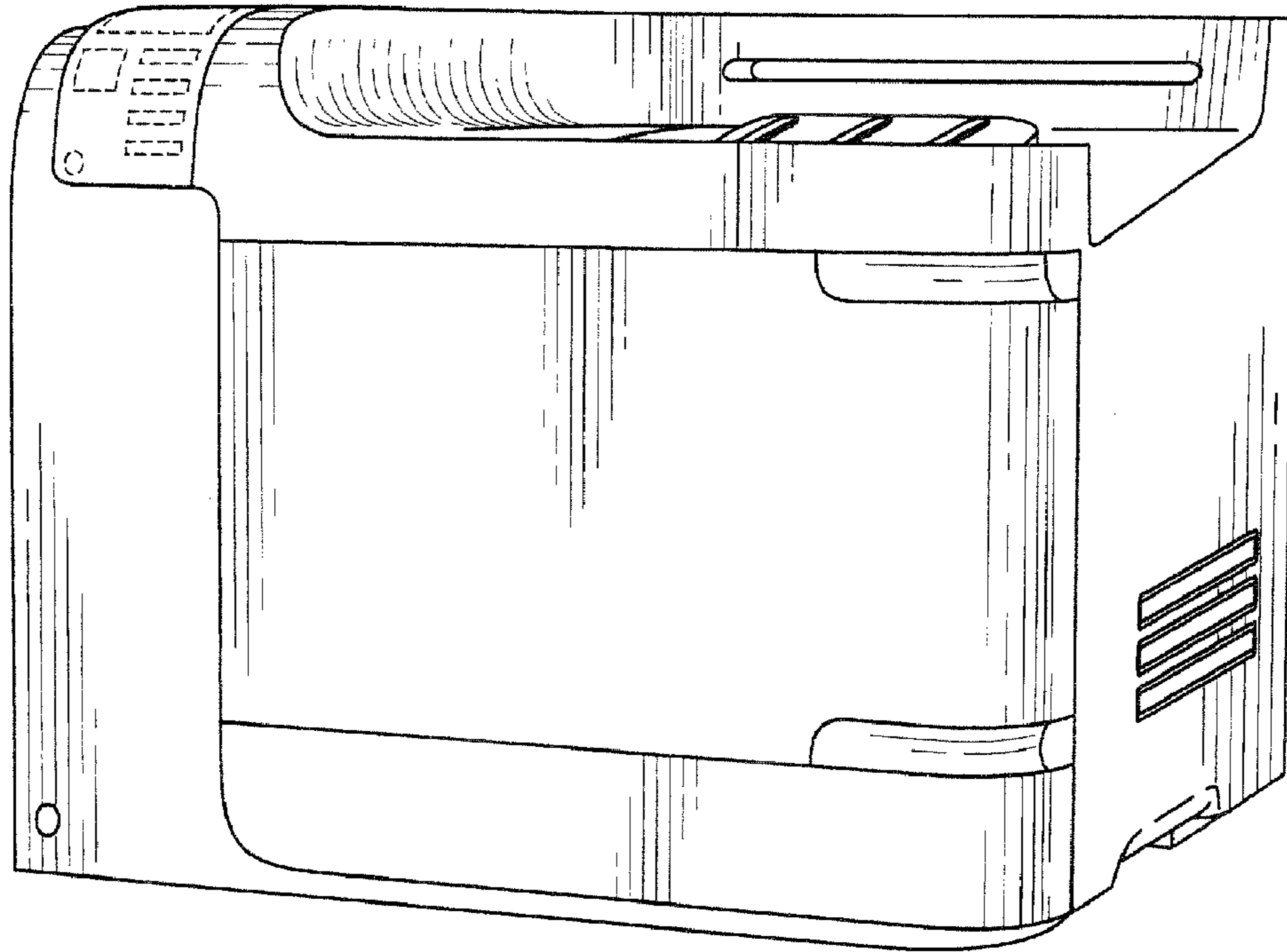


FIG. 1

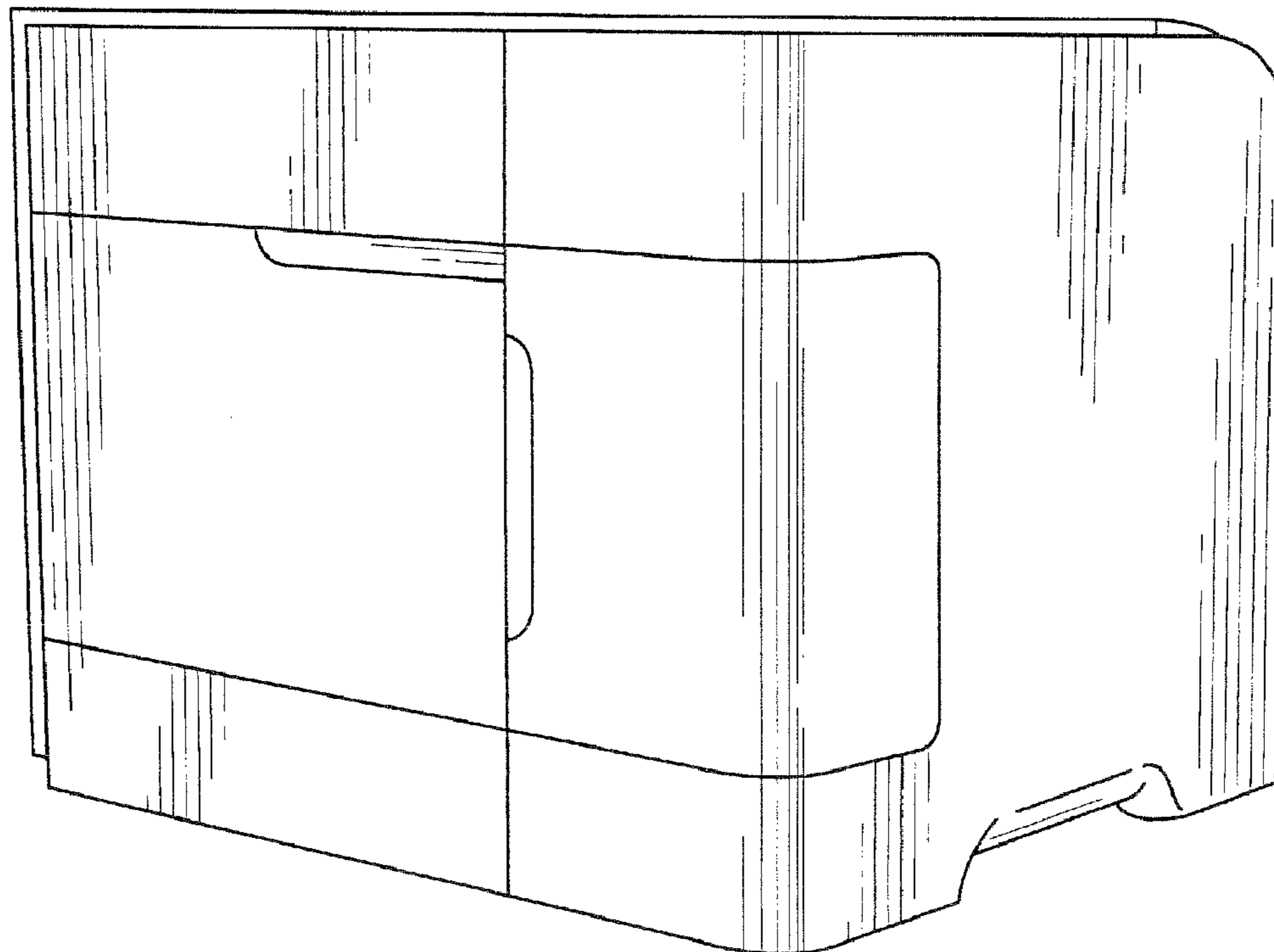


FIG. 2

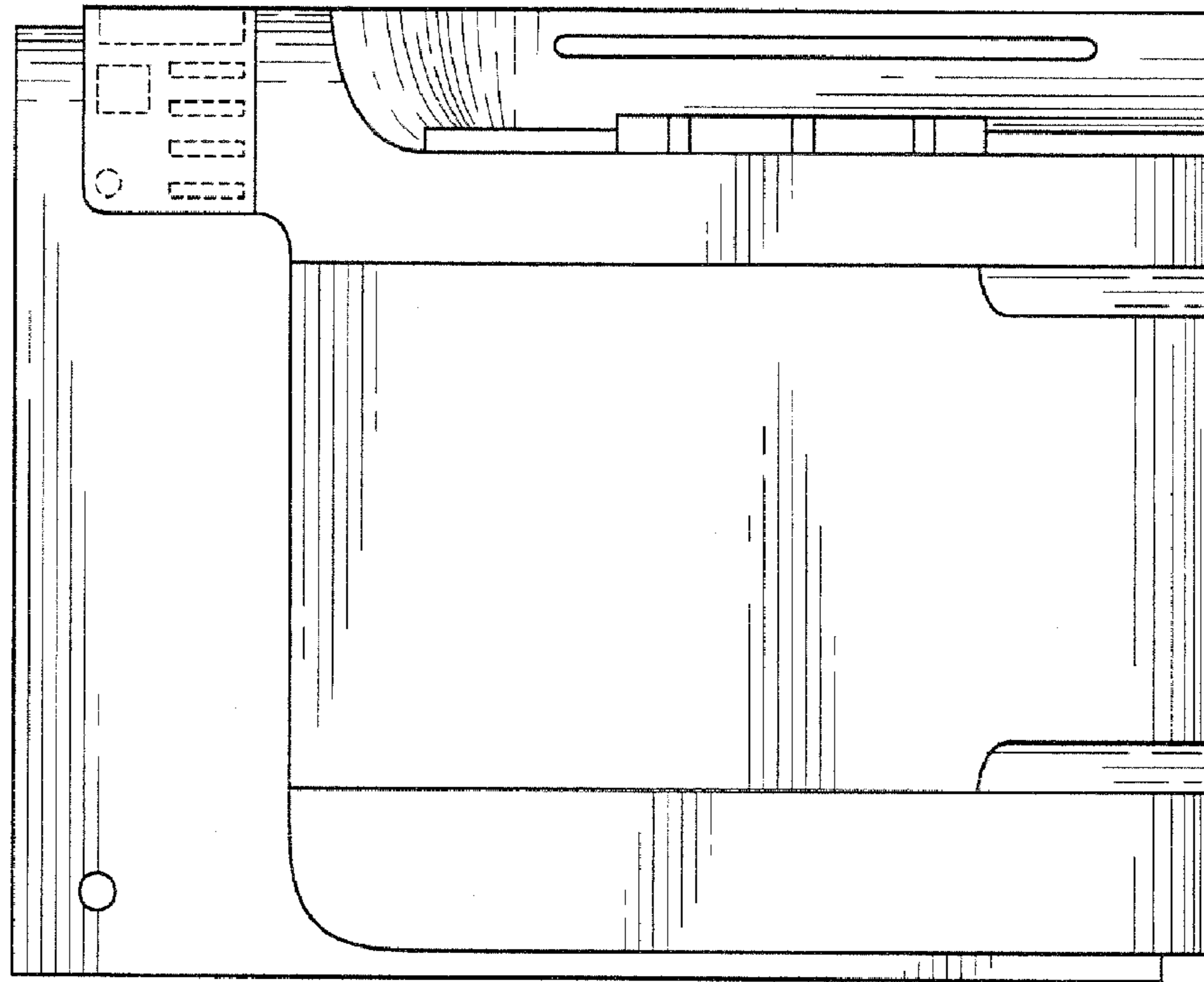


FIG. 3

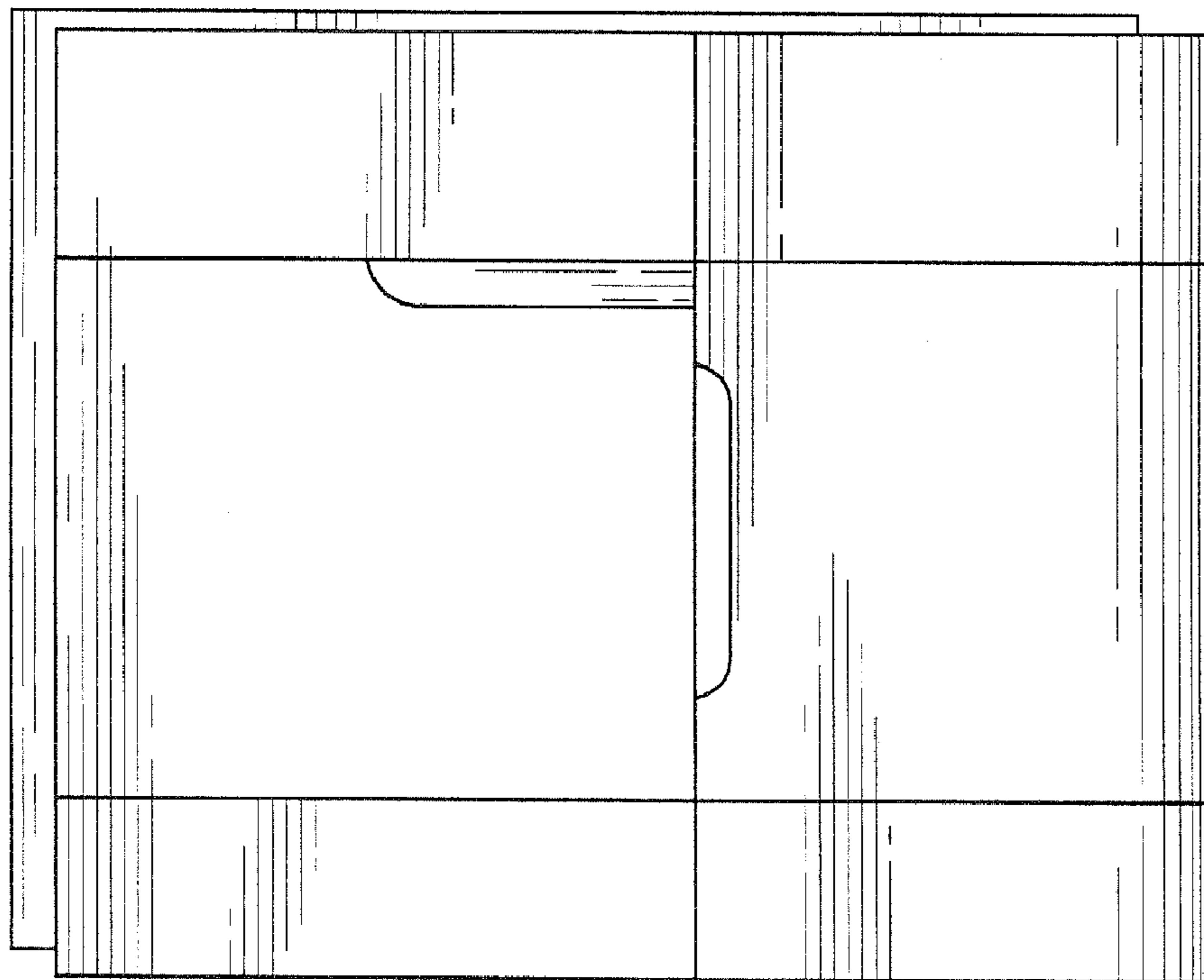


FIG. 4

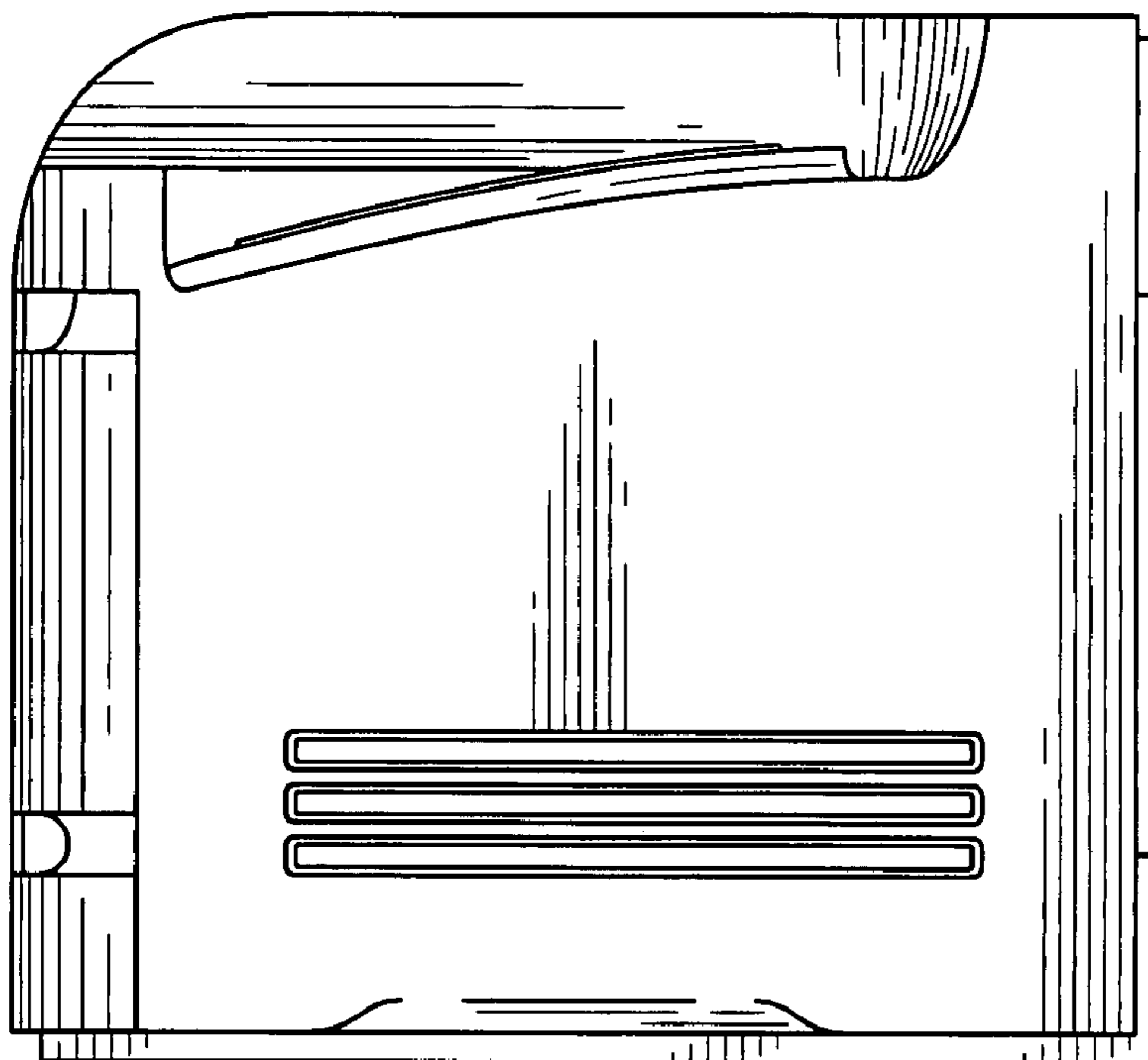


FIG. 5

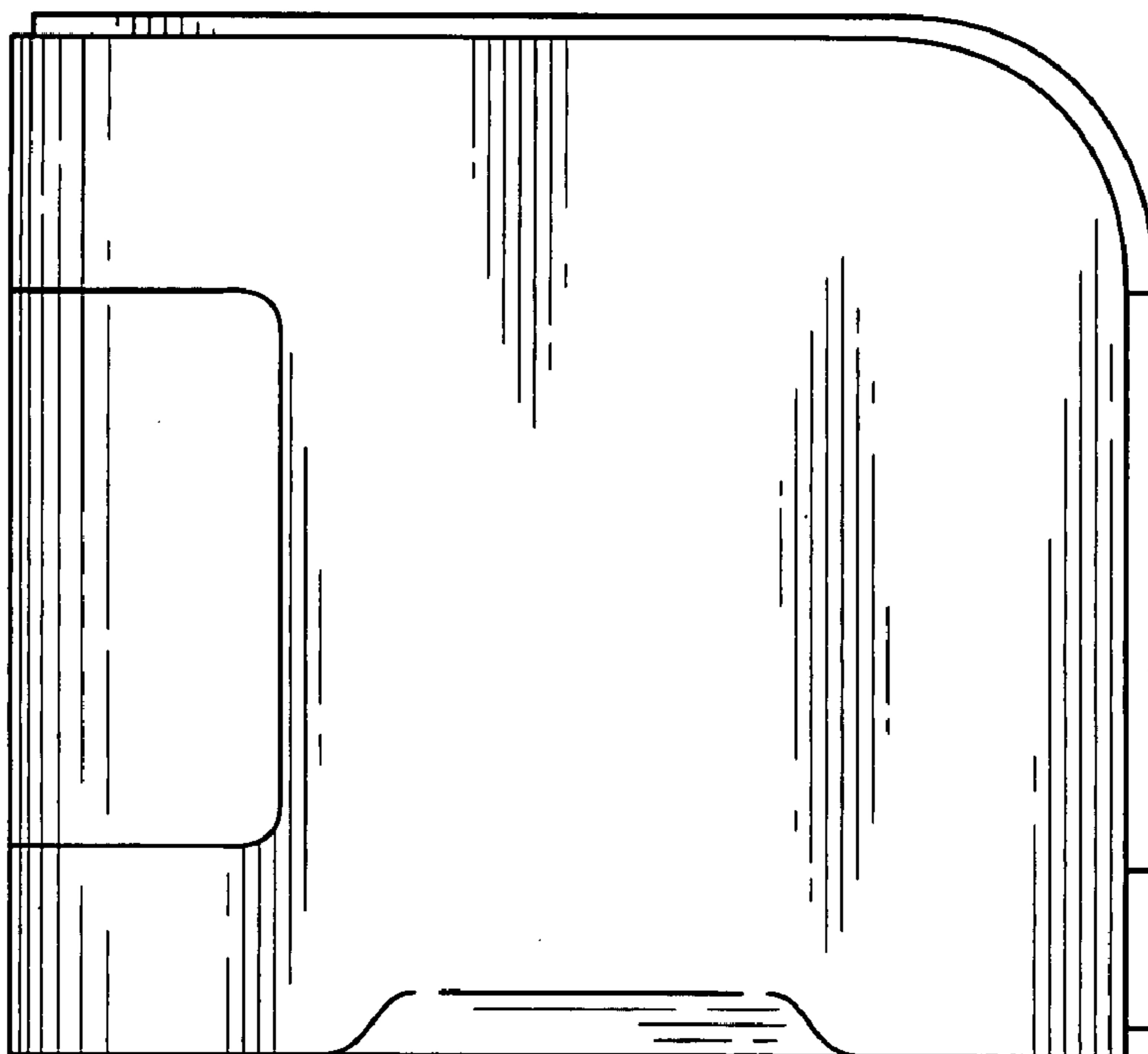


FIG. 6

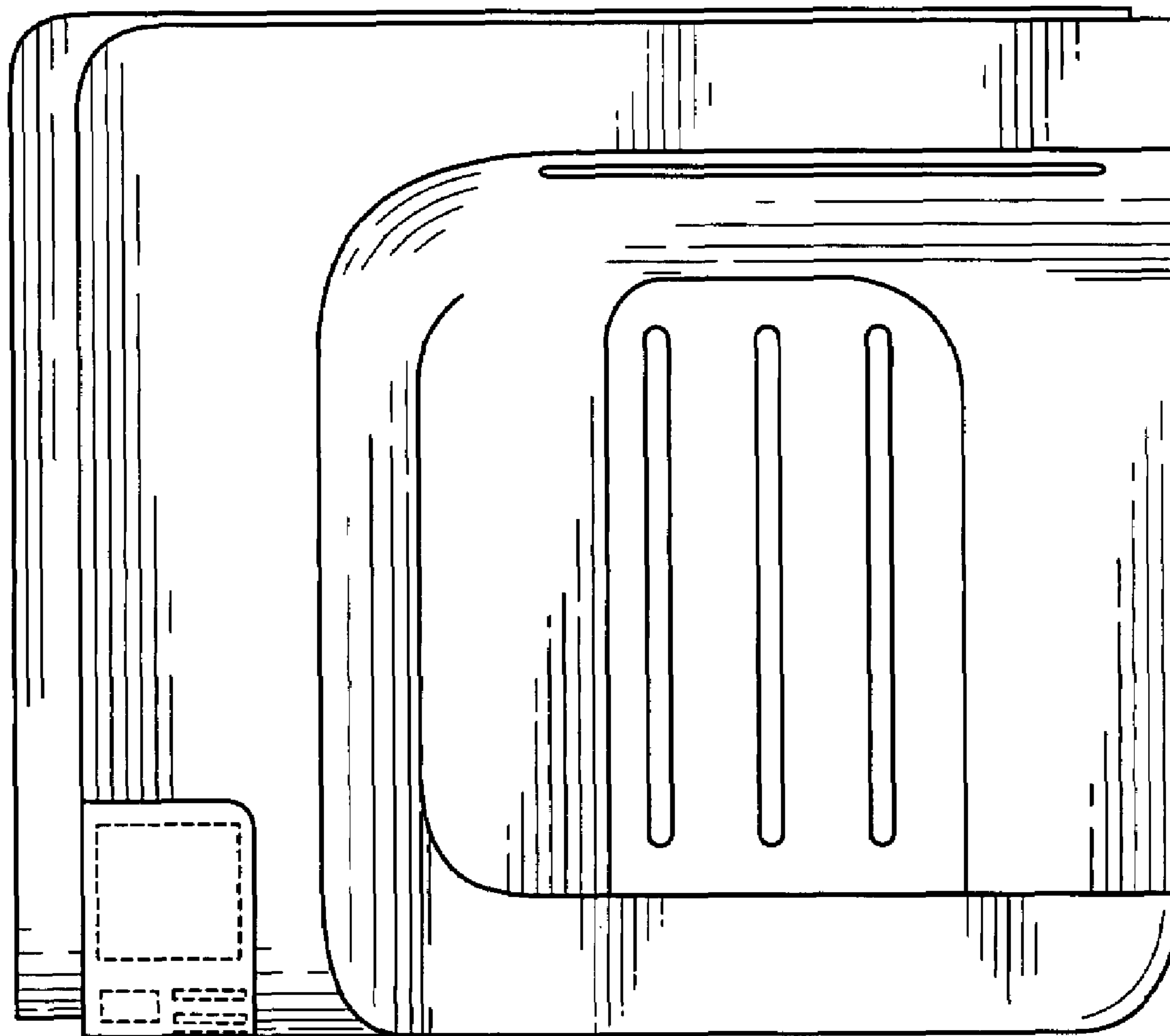


FIG. 7