



US00D579488S

(12) **United States Design Patent**  
**Yamaguchi**

(10) **Patent No.:** **US D579,488 S**

(45) **Date of Patent:** **\*\* Oct. 28, 2008**

(54) **PRINTER**

(75) Inventor: **Yasutake Yamaguchi**, Chiryu (JP)

(73) Assignee: **Brother Industries, Ltd.**, Nagoya (JP)

(\*\*) Term: **14 Years**

(21) Appl. No.: **29/274,693**

(22) Filed: **May 16, 2007**

**Related U.S. Application Data**

(63) Continuation-in-part of application No. 29/254,329, filed on Feb. 23, 2006, now abandoned.

**Foreign Application Priority Data**

(30) Sep. 9, 2005 (JP) ..... 2005-26304

(51) **LOC (8) Cl.** ..... **18-02**

(52) **U.S. Cl.** ..... **D18/50**

(58) **Field of Classification Search** ..... D18/36-39,  
D18/50, 54, 54.1, 55; D14/420-425, 462-470;  
400/613, 613.1-613.4, 690.1-690.4, 691-694  
See application file for complete search history.

**References Cited**

**U.S. PATENT DOCUMENTS**

- D295,528 S 5/1988 Masaki et al.
- D312,079 S 11/1990 Komatsu
- D315,341 S 3/1991 Komatsu
- D315,555 S 3/1991 Komatsu
- D322,982 S 1/1992 Tashiro

- D329,047 S 9/1992 Inukai
- D331,049 S 11/1992 Inukai
- D331,751 S 12/1992 Short
- D335,214 S 5/1993 Hata
- D352,056 S 11/1994 Kawashima et al.
- D413,918 S 9/1999 Shimobayashi
- D428,051 S 7/2000 Ikenaga
- D433,703 S 11/2000 Hosono et al.
- 6,152,619 A \* 11/2000 Silverbrook ..... 400/613
- D533,216 S 12/2006 Sato
- D539,840 S \* 4/2007 Whittall et al. .... D18/50

\* cited by examiner

*Primary Examiner*—Cathy Anne MacCormac

(74) *Attorney, Agent, or Firm*—Olliff & Berridge, PLC

(57) **CLAIM**

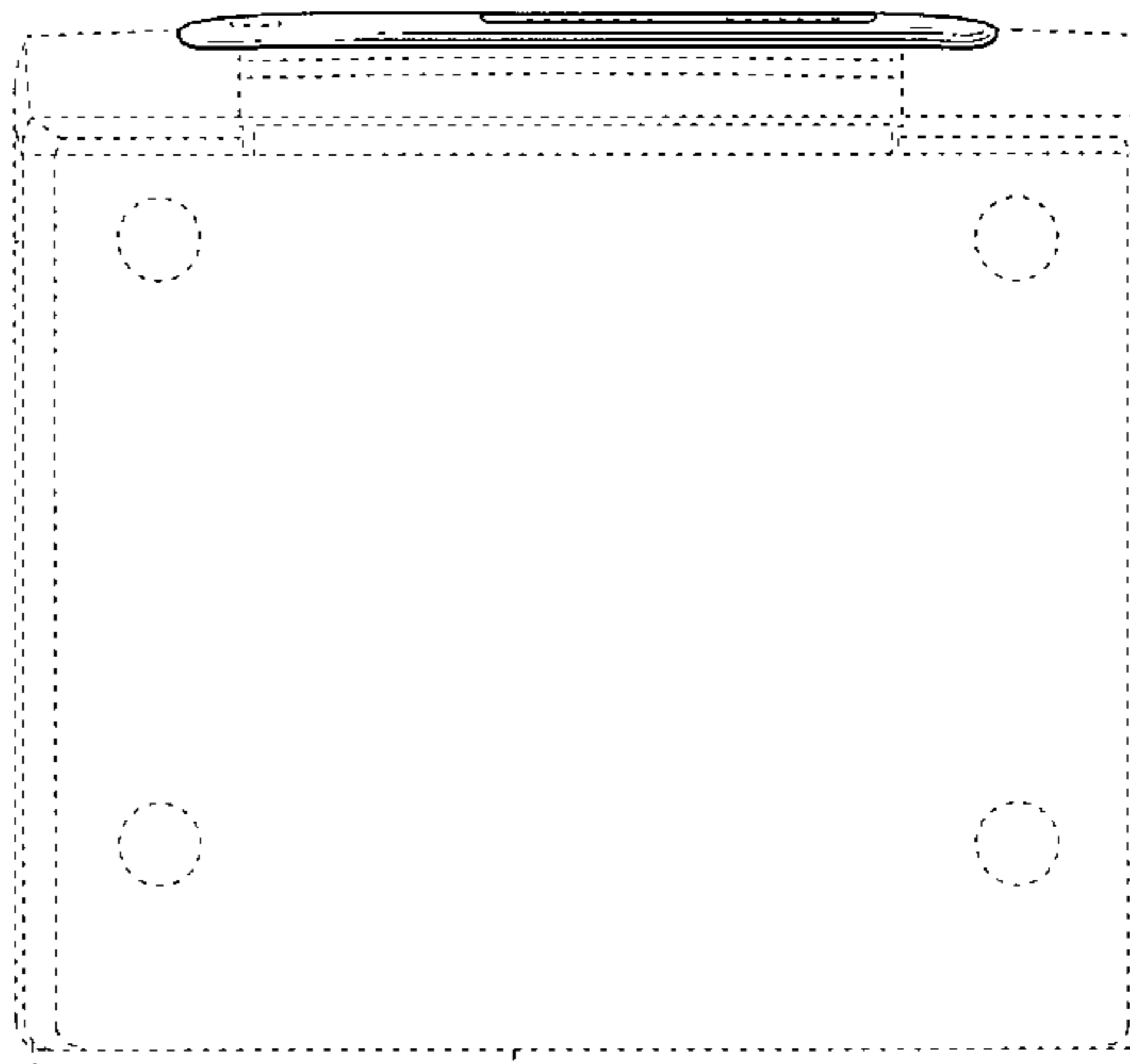
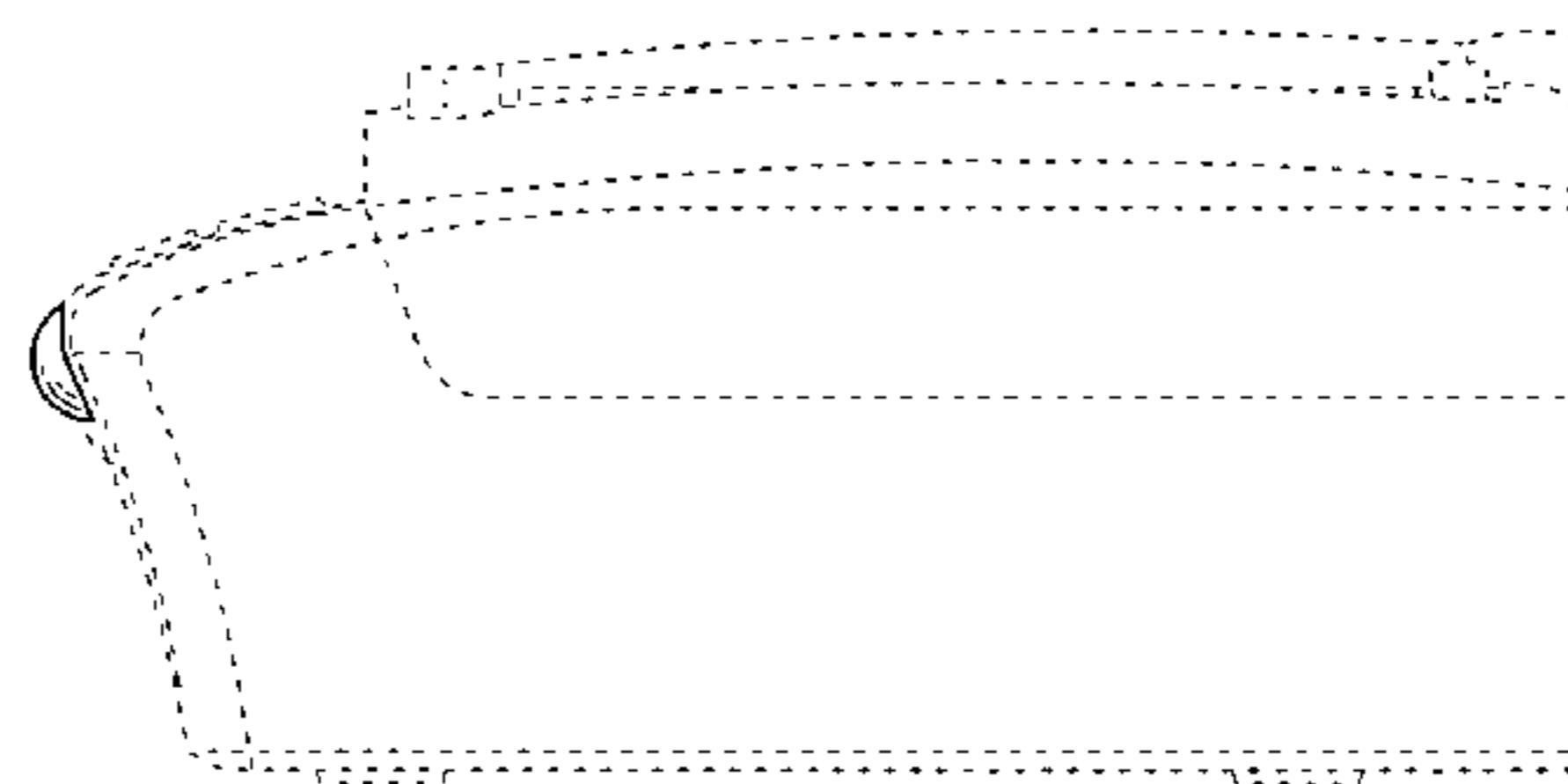
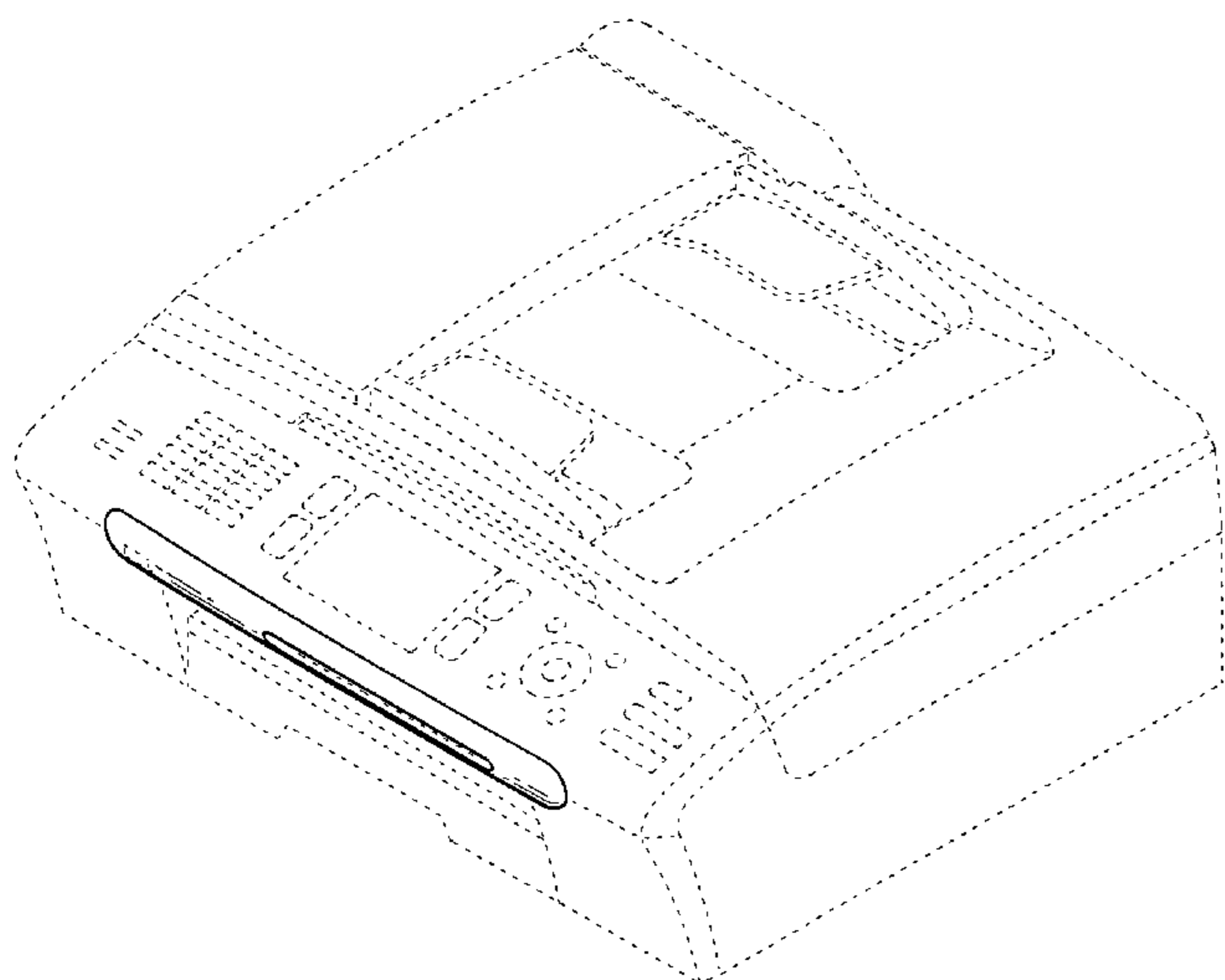
The ornamental design for a printer, as shown and described.

**DESCRIPTION**

FIG. 1 is a perspective view of a printer;  
 FIG. 2 is a front view thereof;  
 FIG. 3 is a top view thereof;  
 FIG. 4 is a right-side view thereof;  
 FIG. 5 is a left-side view thereof;  
 FIG. 6 is a bottom view thereof; and,  
 FIG. 7 is an enlarged partial cross-sectional view taken along the line 7—7 shown in FIG. 2.

The broken lines are for illustrative purposes only and form no part of the claimed design.

**1 Claim, 4 Drawing Sheets**



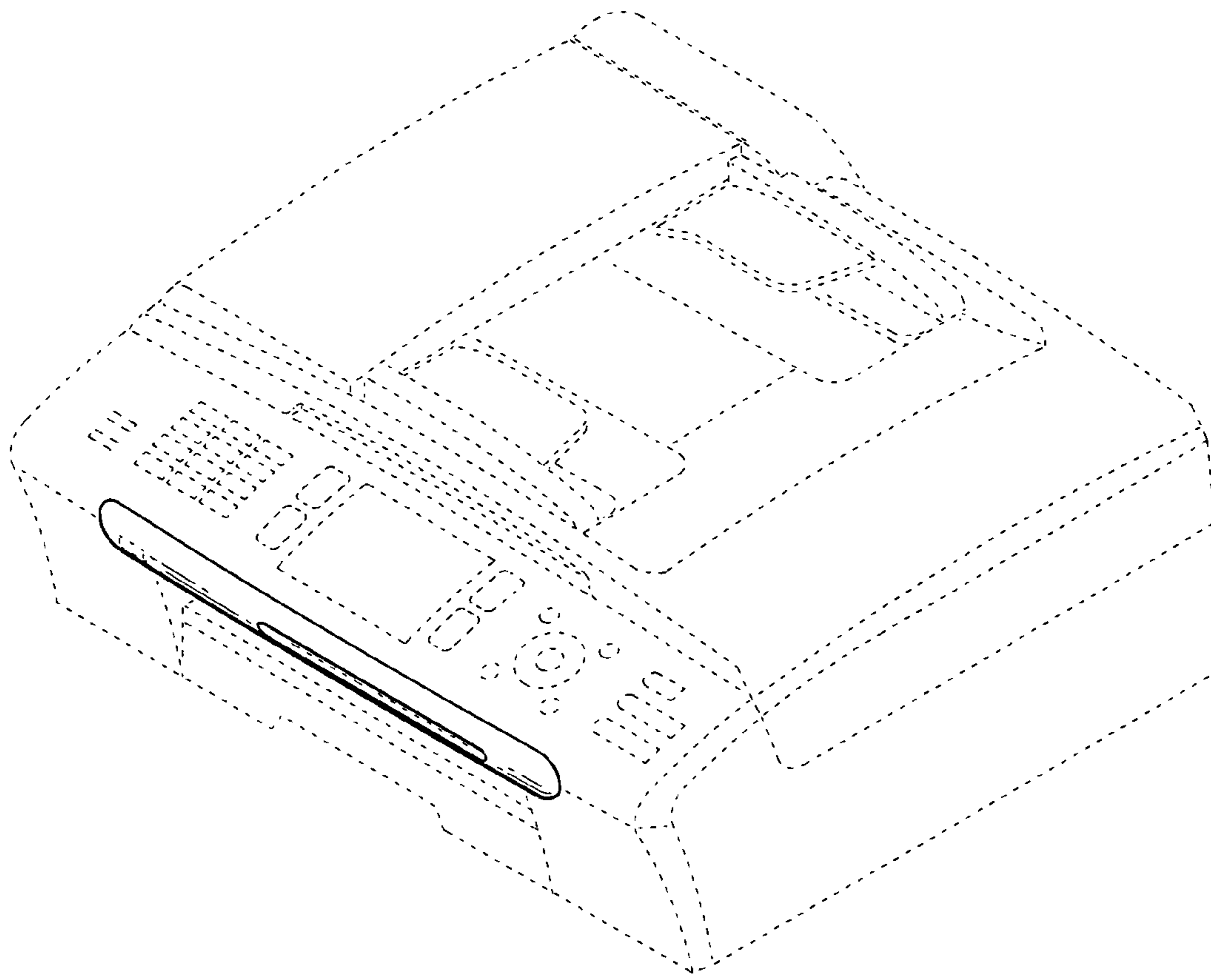


FIG. 1

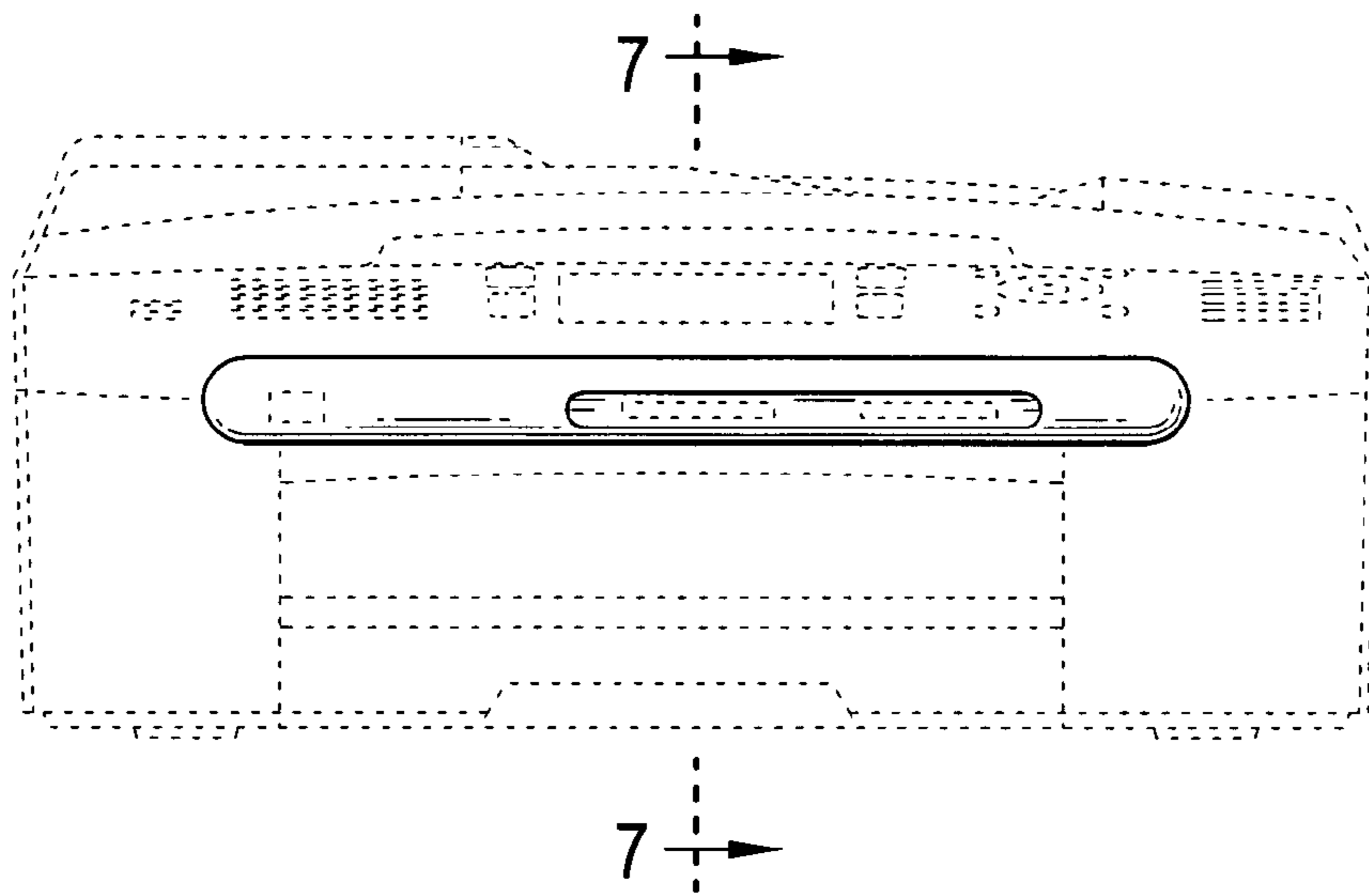


FIG. 2

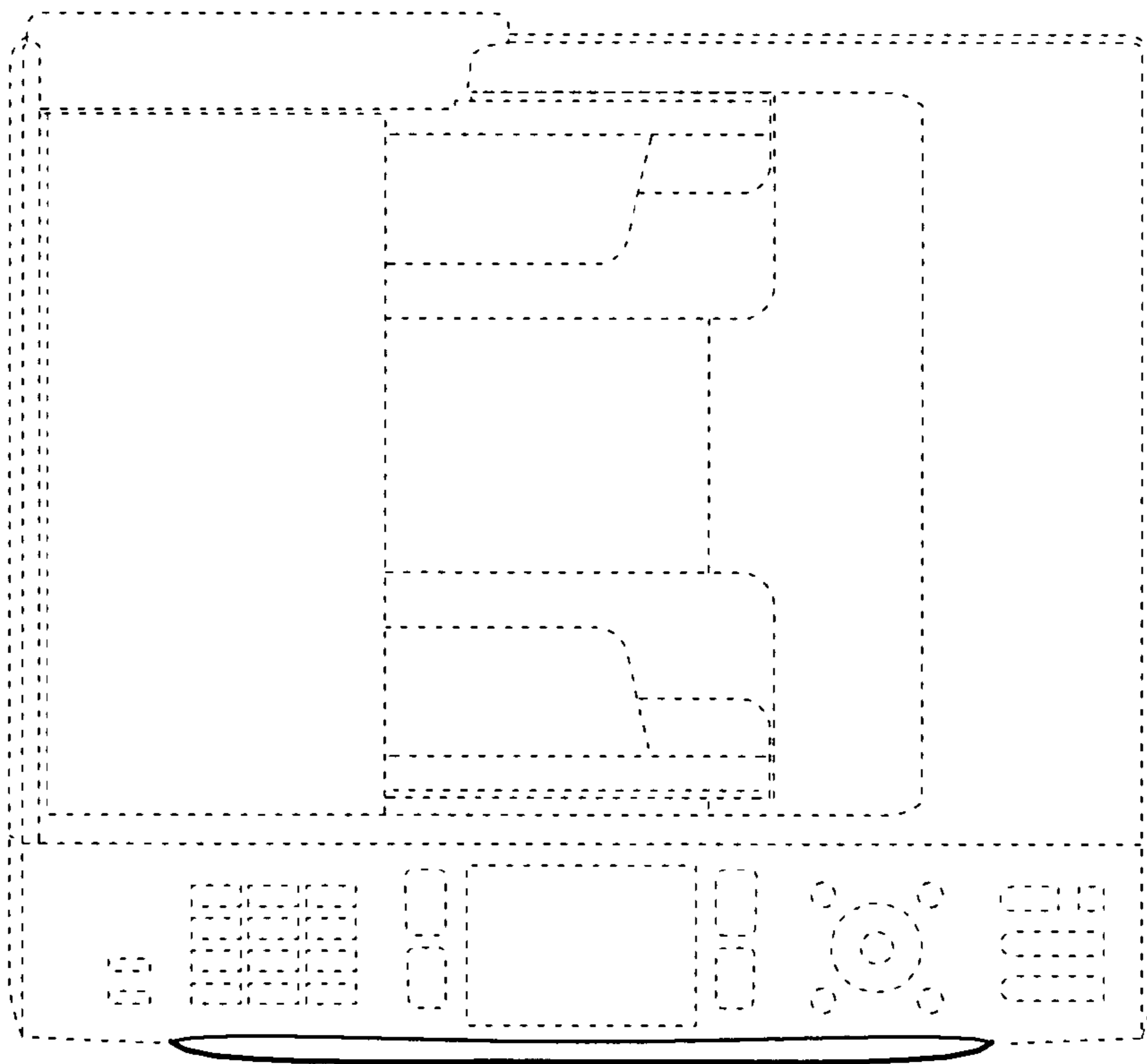


FIG. 3

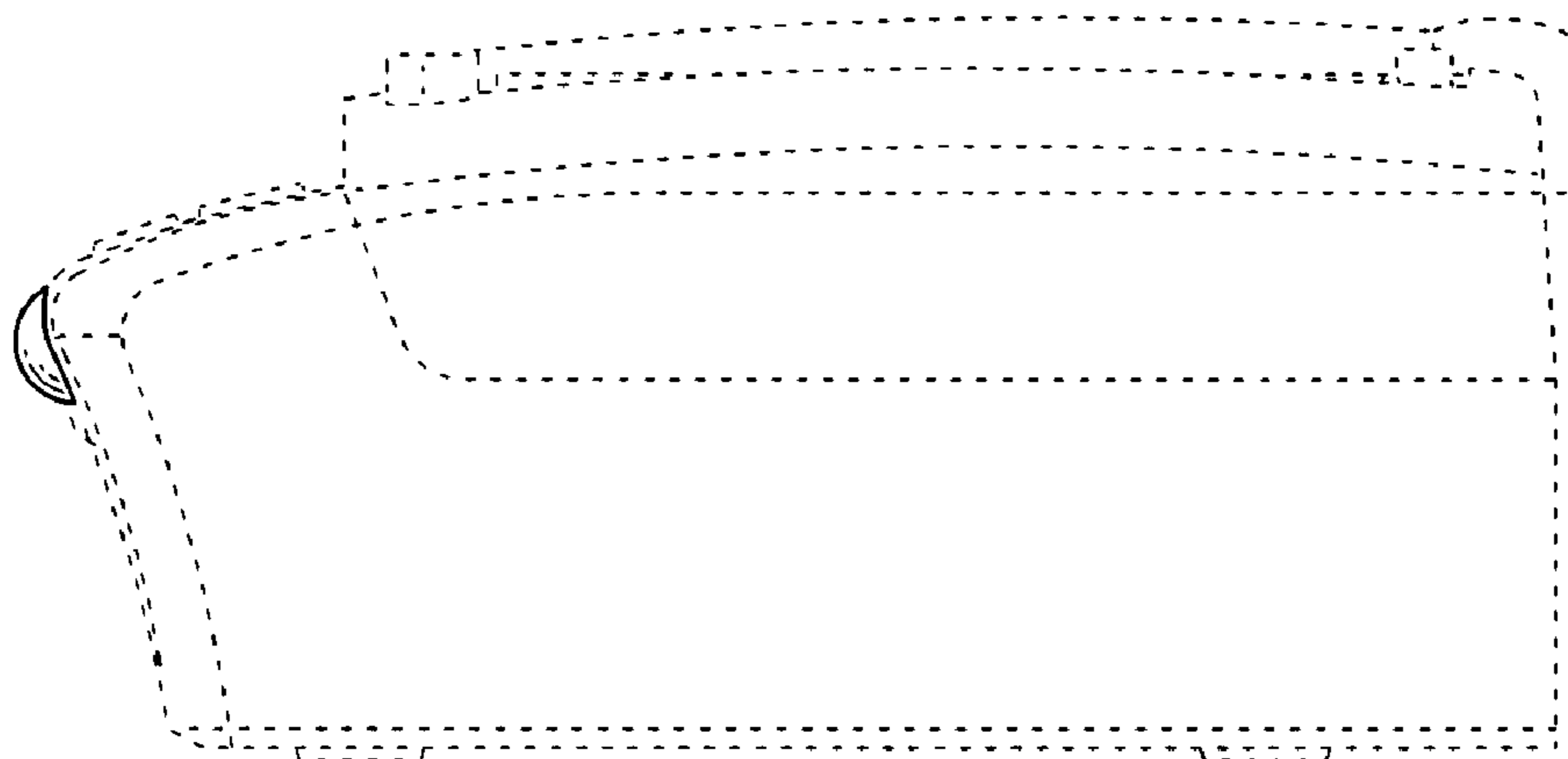


FIG. 4

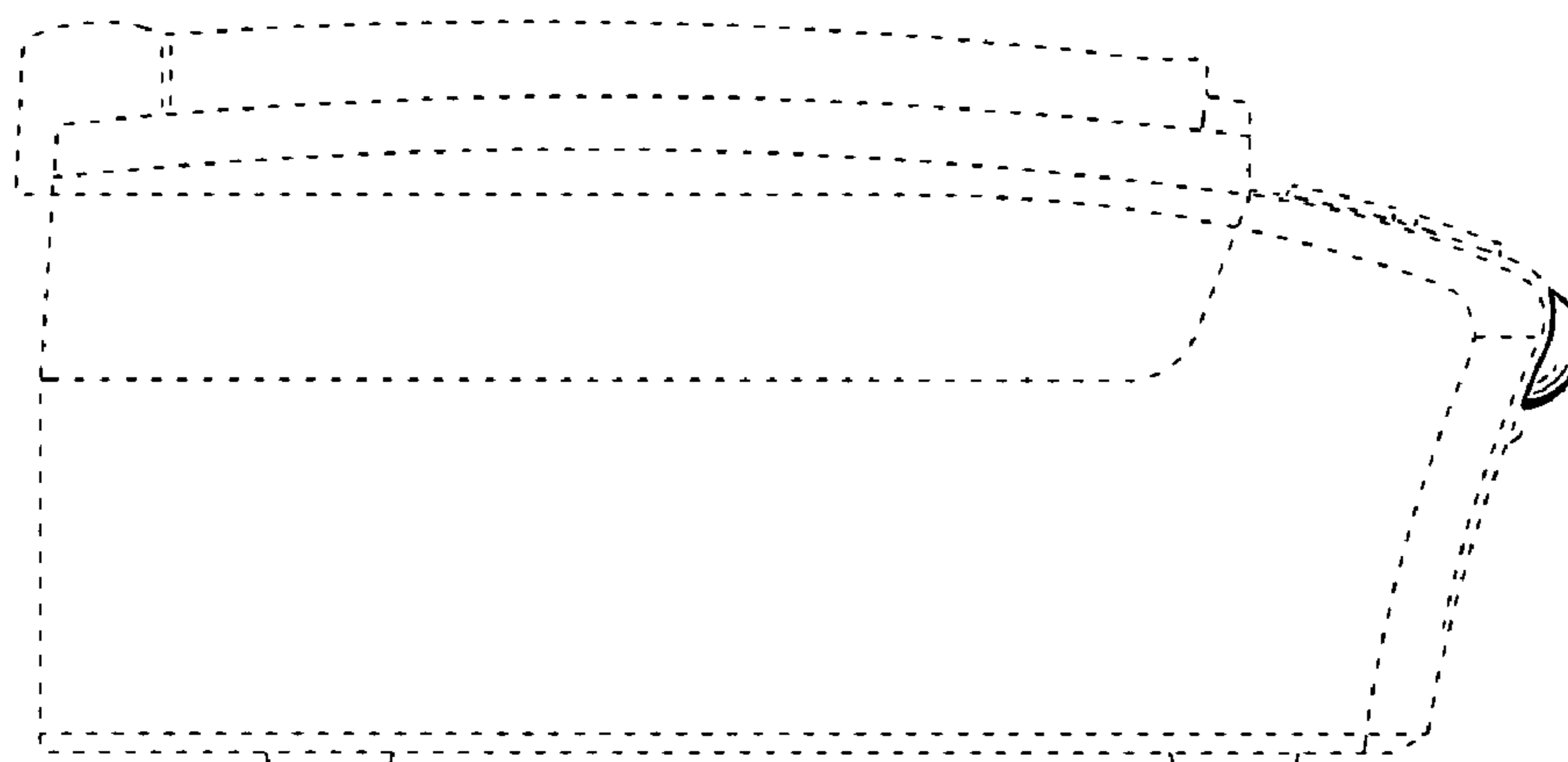


FIG. 5

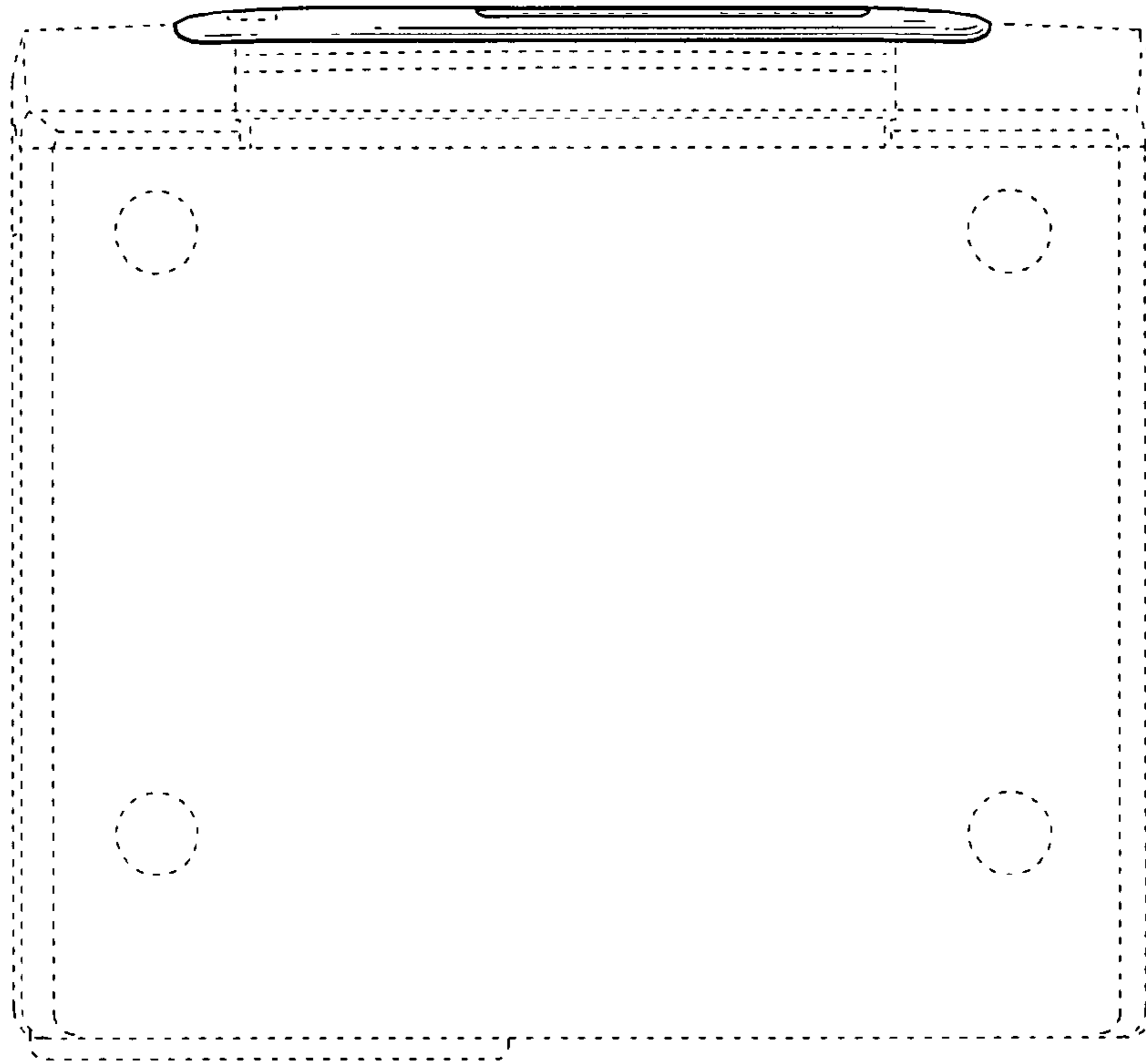


FIG. 6

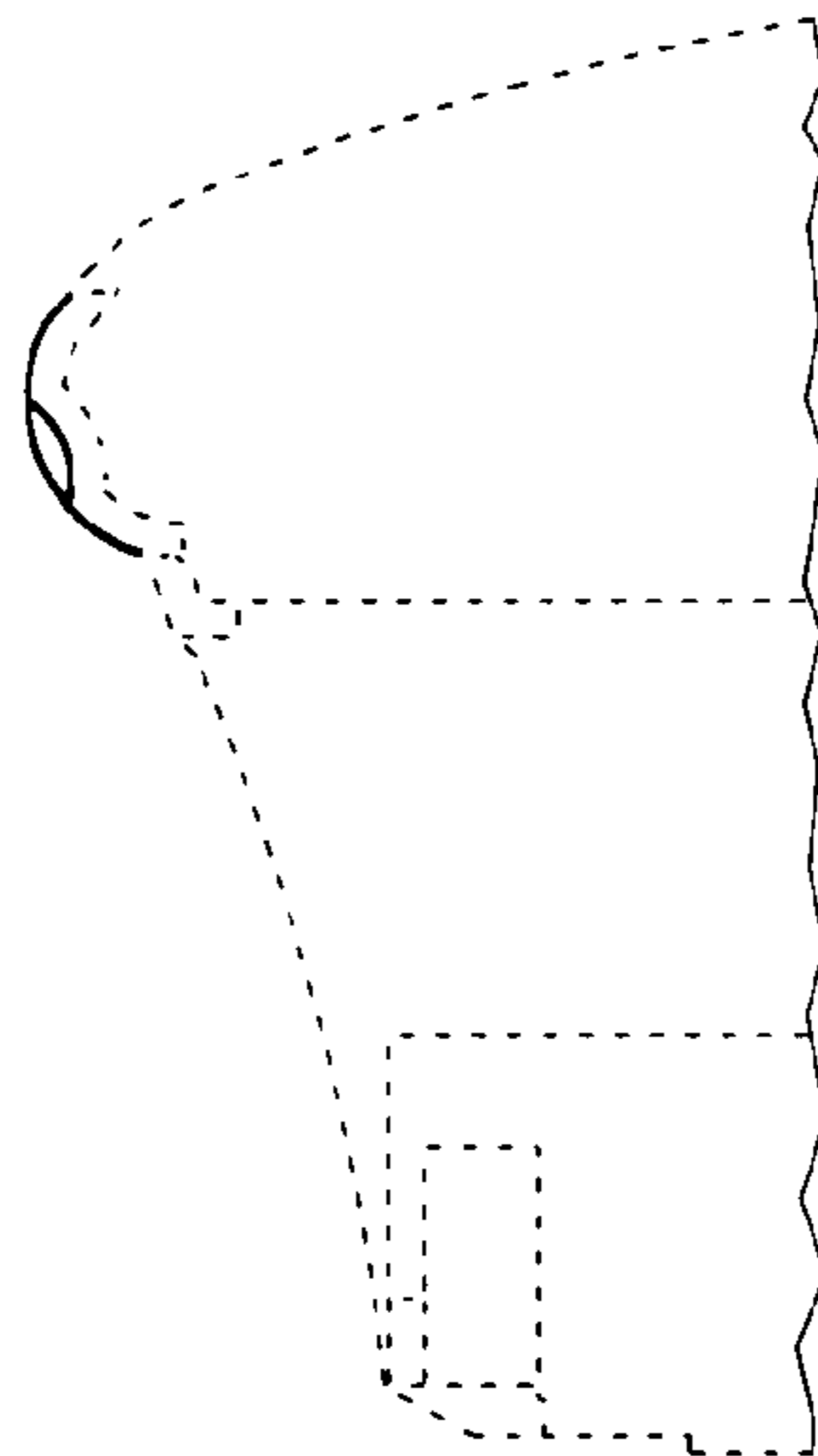


FIG. 7